



US00D519662S

(12) **United States Design Patent**
Mullen

(10) **Patent No.:** **US D519,662 S**

(45) **Date of Patent:** **** Apr. 25, 2006**

(54) **PROBE LIGHTING FIXTURE**

(76) Inventor: **Nate Mullen**, 1240 Simpson Way,
Escondido, CA (US) 92029

(**) Term: **14 Years**

(21) Appl. No.: **29/183,348**

(22) Filed: **Jun. 11, 2003**

(51) **LOC (8) Cl.** **26-05**

(52) **U.S. Cl.** **D26/61; D26/63**

(58) **Field of Classification Search** D26/60–66,
D26/72, 82–90, 138; 362/153, 153.1, 267,
362/269, 281, 285, 287, 418, 419, 427, 430
See application file for complete search history.

(56) **References Cited**

U.S. PATENT DOCUMENTS

3,270,192	A	*	8/1966	Watson	362/293
D232,655	S	*	9/1974	Aulenti	D26/63
D232,656	S	*	9/1974	Aulenti	D26/63
5,599,091	A	*	2/1997	Kira	362/269
D385,638	S	*	10/1997	Bonnette et al.	D26/62
D410,295	S	*	5/1999	Lueken et al.	D26/74
D414,579	S	*	9/1999	Denison et al.	D26/68
D417,519	S	*	12/1999	Cutler	D26/63
D473,669	S	*	4/2003	Hille et al.	D26/63
D495,079	S	*	8/2004	Mullen	D26/63

* cited by examiner

Primary Examiner—Clare E Heflin

(74) *Attorney, Agent, or Firm*—Kelly Lowry & Kelley, LLP

(57) **CLAIM**

The ornamental design for the probe lighting fixture, as shown.

DESCRIPTION

An article embodying the design as shown in the present application is in the nature of an electrical lighting fixture for use in lighting systems, particularly in landscape lighting systems.

FIG. 1 presents a perspective view of the probe lighting fixture of the present invention.

FIG. 2 presents a front view of the probe lighting fixture of the present invention.

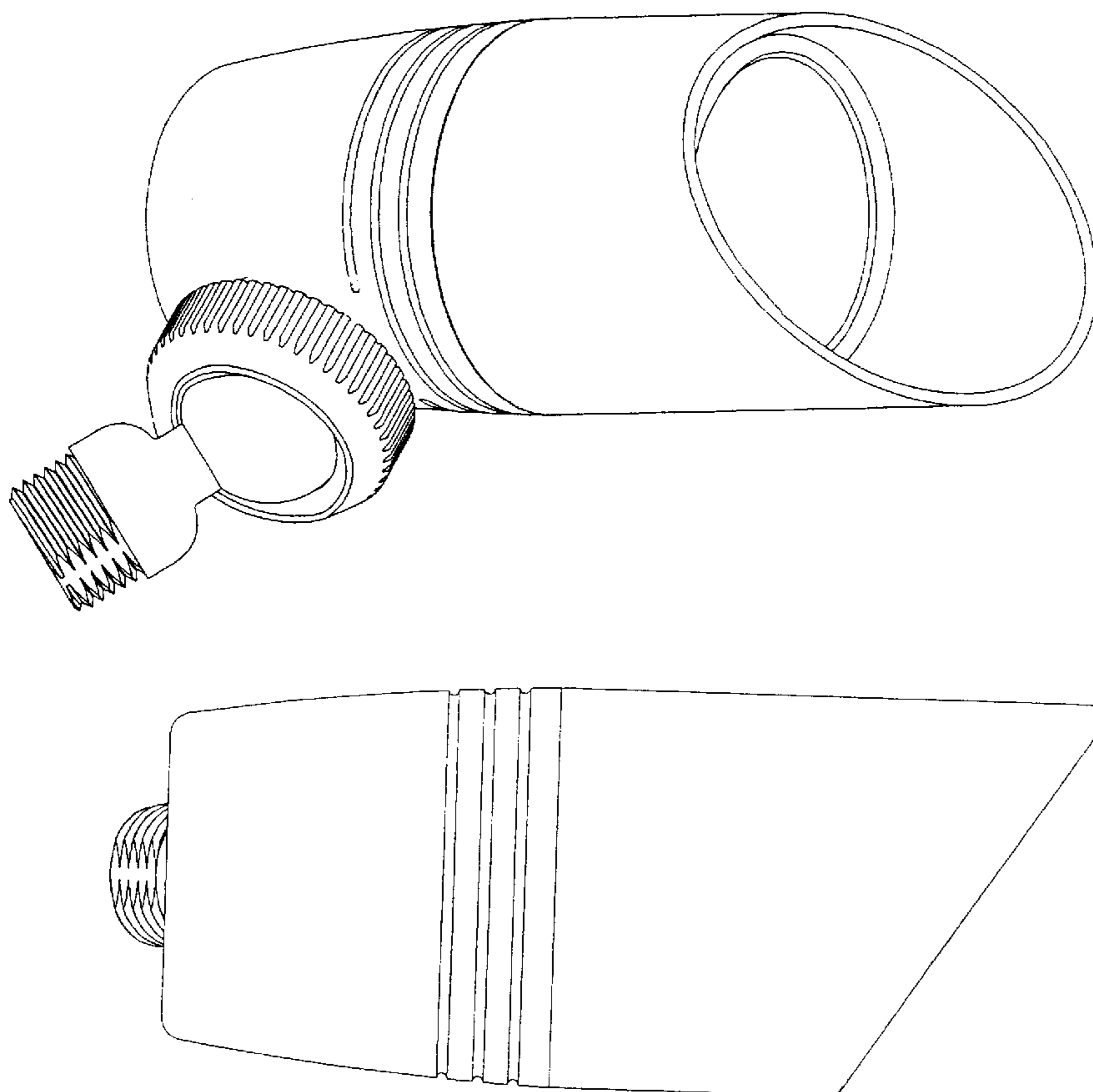
FIG. 3 presents a top view of the probe lighting fixture of the present invention.

FIG. 4 presents a bottom view of the probe lighting fixture of the present invention.

FIG. 5 presents a left side view of the probe lighting fixture of the present invention; and,

FIG. 6 presents a right side view of the probe lighting fixture of the present invention.

1 Claim, 3 Drawing Sheets



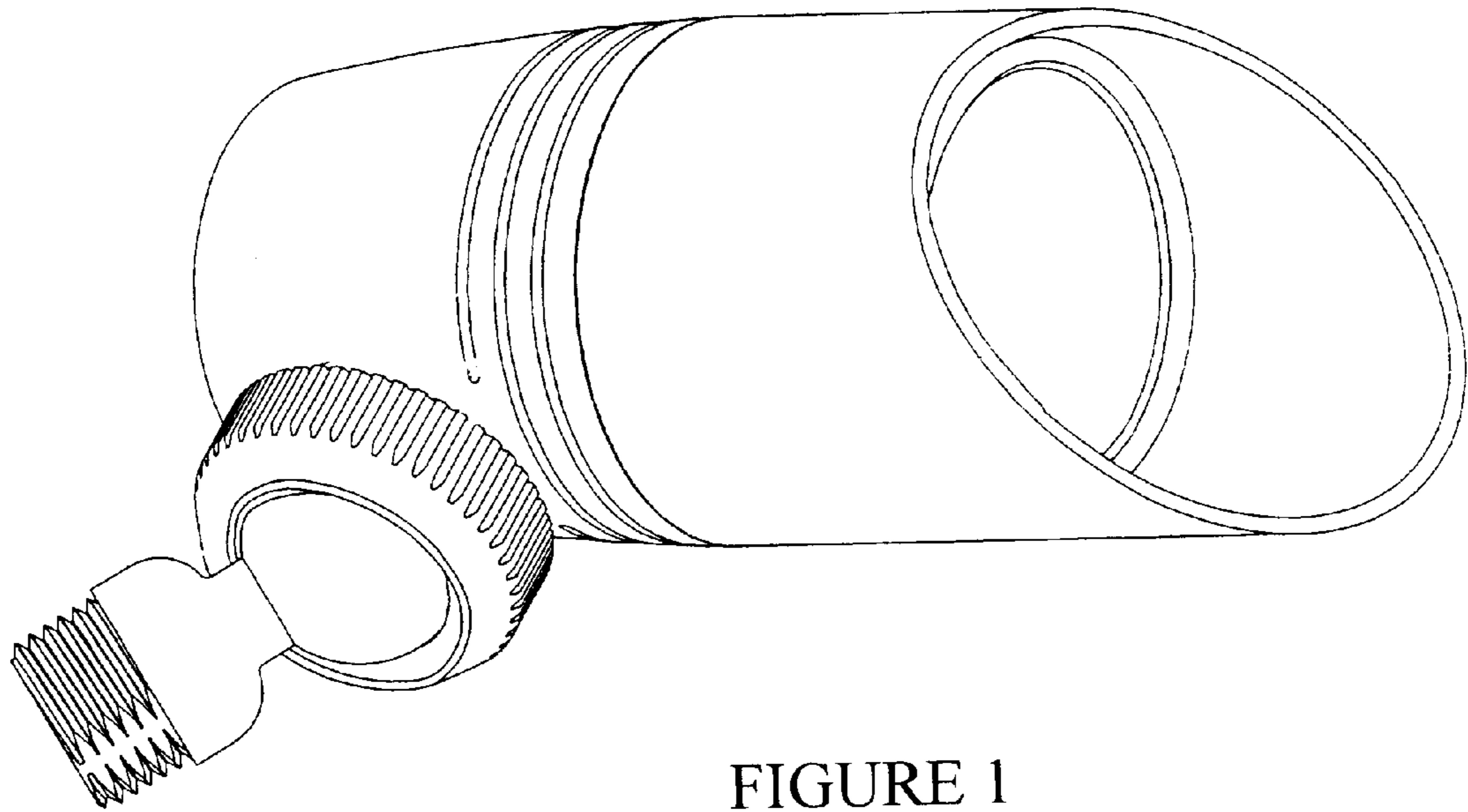


FIGURE 1

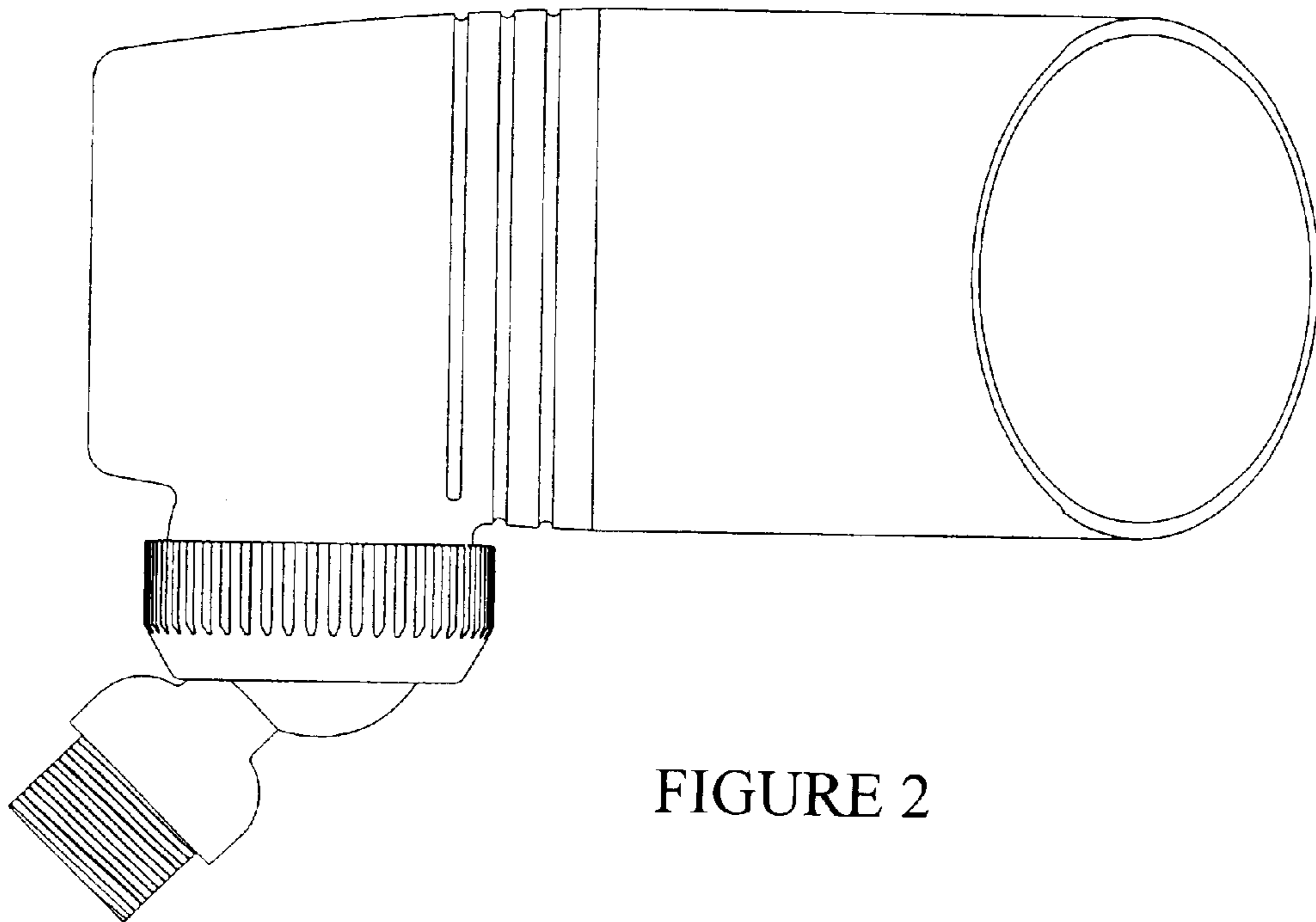


FIGURE 2

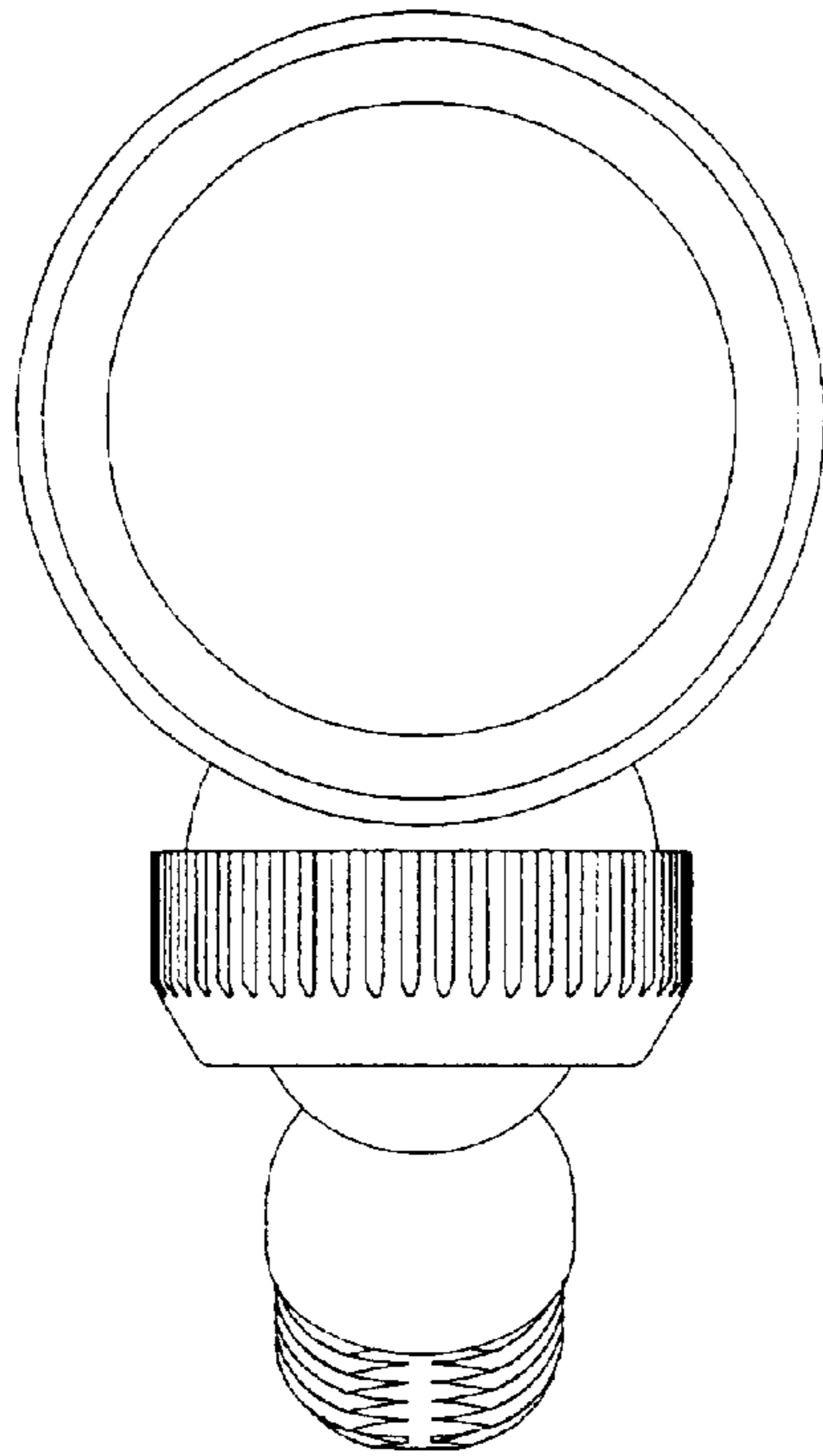


FIGURE 3

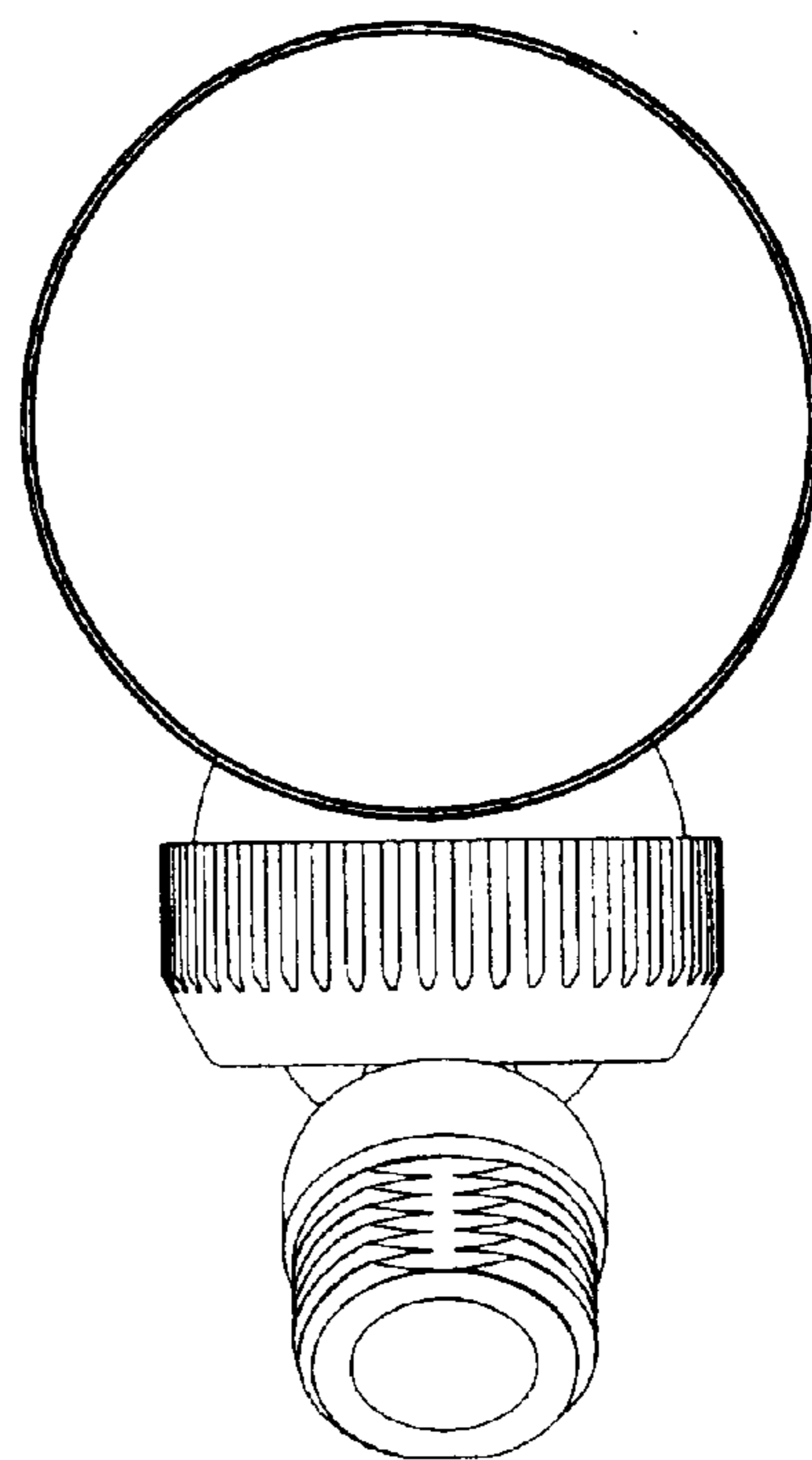


FIGURE 4

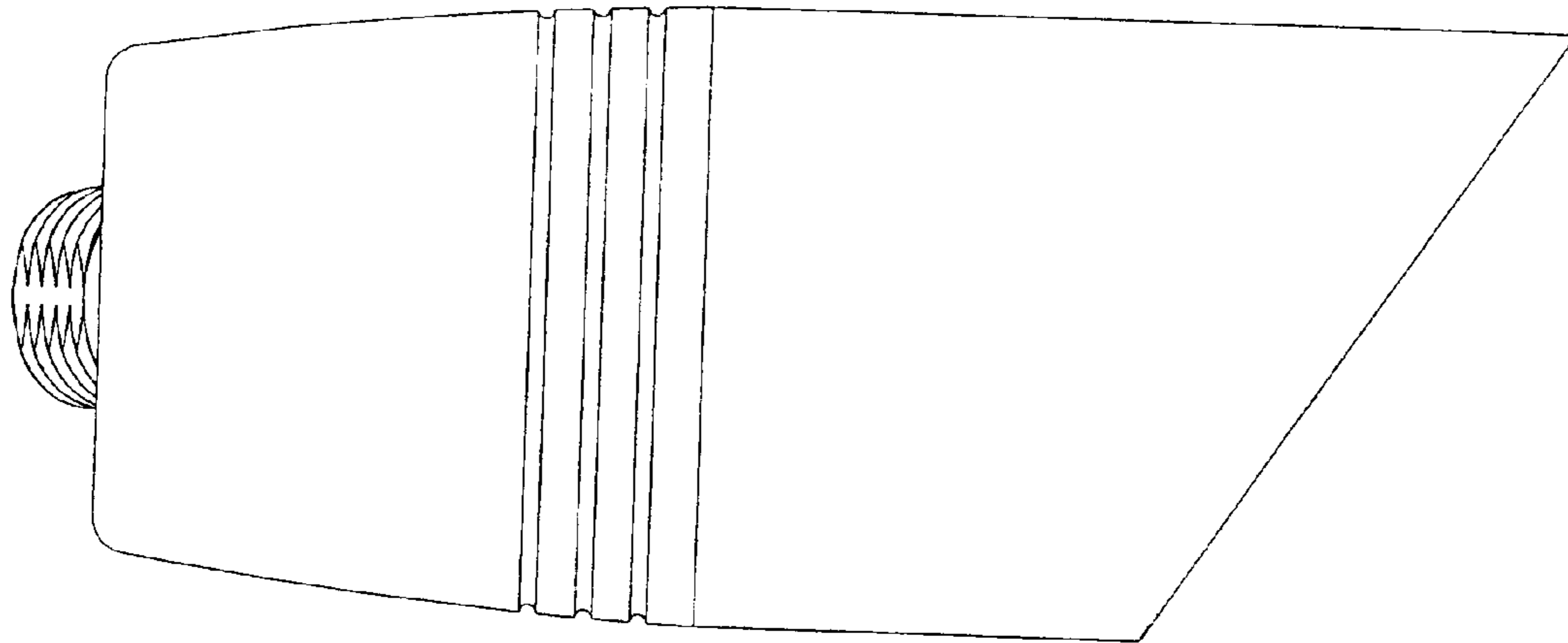


FIGURE 5

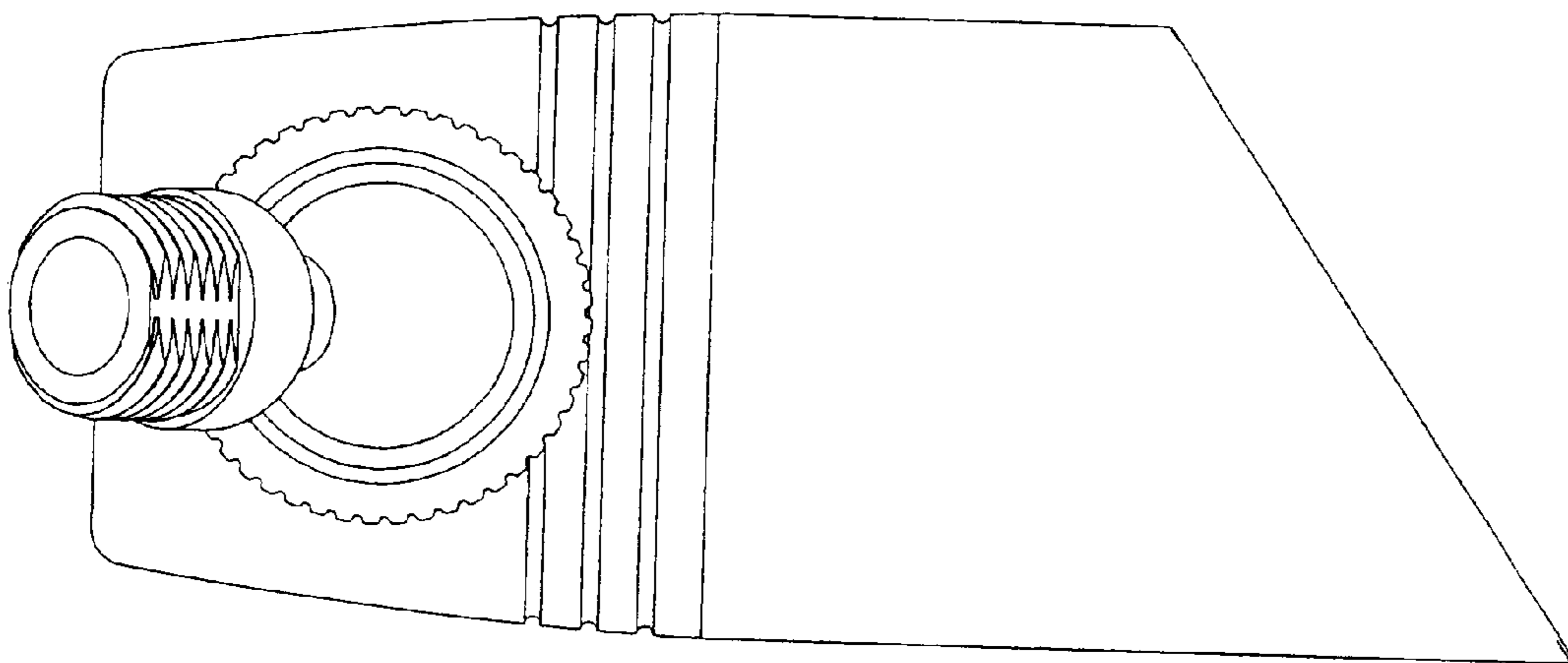


FIGURE 6