



US00D519661S

(12) **United States Design Patent**  
**Young**

(10) **Patent No.:** **US D519,661 S**

(45) **Date of Patent:** **\*\* Apr. 25, 2006**

(54) **LIGHT FIXTURE**

(75) Inventor: **Stanfield Young**, Los Alamitos, CA  
(US)

(73) Assignee: **Minka Lighting, Inc.**, Corona, CA  
(US)

(\*\*) Term: **14 Years**

(21) Appl. No.: **29/228,282**

(22) Filed: **Apr. 21, 2005**

(51) **LOC (8) Cl.** ..... **26-05**

(52) **U.S. Cl.** ..... **D26/59**

(58) **Field of Classification Search** ..... D23/377,  
D23/379, 385, 411, 413; D26/59, 71, 81-88,  
D26/51; 416/5; 362/96

See application file for complete search history.

(56) **References Cited**

**U.S. PATENT DOCUMENTS**

D457,620 S	*	5/2002	Frampton	.....	D23/413
D478,654 S	*	8/2003	Hidalgo	.....	D23/413
D478,974 S	*	8/2003	Hidalgo	.....	D23/377
D489,124 S	*	4/2004	Young	.....	D23/377
D507,646 S	*	7/2005	Young	.....	D23/413

**OTHER PUBLICATIONS**

Hampton Bay Internet Catalog; Cruiser; Model # 04345;  
printed from www.homedepot.com on Apr. 20, 2005.

Ellington Internet Catalog; The Surfboard; Model  
#ELSBF58AN5LKRCR2; printed from www.fansworksout-  
let.com on Apr. 20, 2005.

Homer TLC Inc.; Hampton Bay Catalog; 2004, p. 37, vol. 2;  
Homer TLC, Inc.

\* cited by examiner

*Primary Examiner*—Lisa Lichtenstein

(74) *Attorney, Agent, or Firm*—Baker & McKenzie LLP

(57) **CLAIM**

The ornamental design for a light fixture, as shown and  
described.

**DESCRIPTION**

FIG. 1 is a perspective view from below of a light fixture in  
accordance with my design;

FIG. 2 is a greatly enlarged perspective view from below of  
the light fixture in accordance with my design;

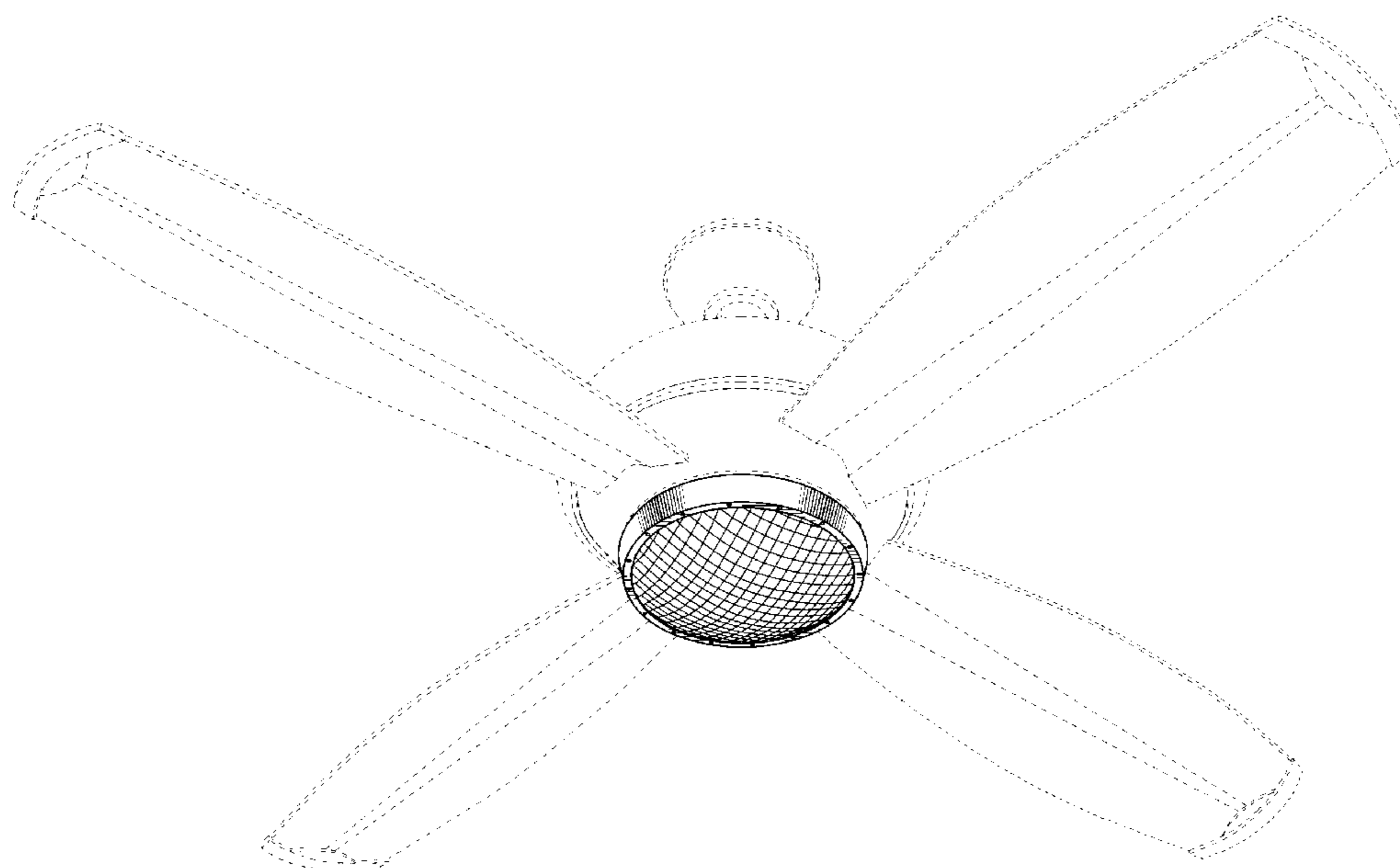
FIG. 3 is an enlarged bottom plan view of the light fixture  
in accordance with my design;

FIG. 4 is a reduced bottom plan view of the light fixture in  
accordance with my design; and,

FIG. 5 is a reduced side elevation view of the light fixture  
in accordance with my design the opposite side being  
substantially identical to that shown except the opposite side  
being substantially identical to that shown except for the  
position of the fan blades.

The broken lines showing environmental structure are for  
illustrative purposes and form no part of the claimed inven-  
tion.

**1 Claim, 5 Drawing Sheets**



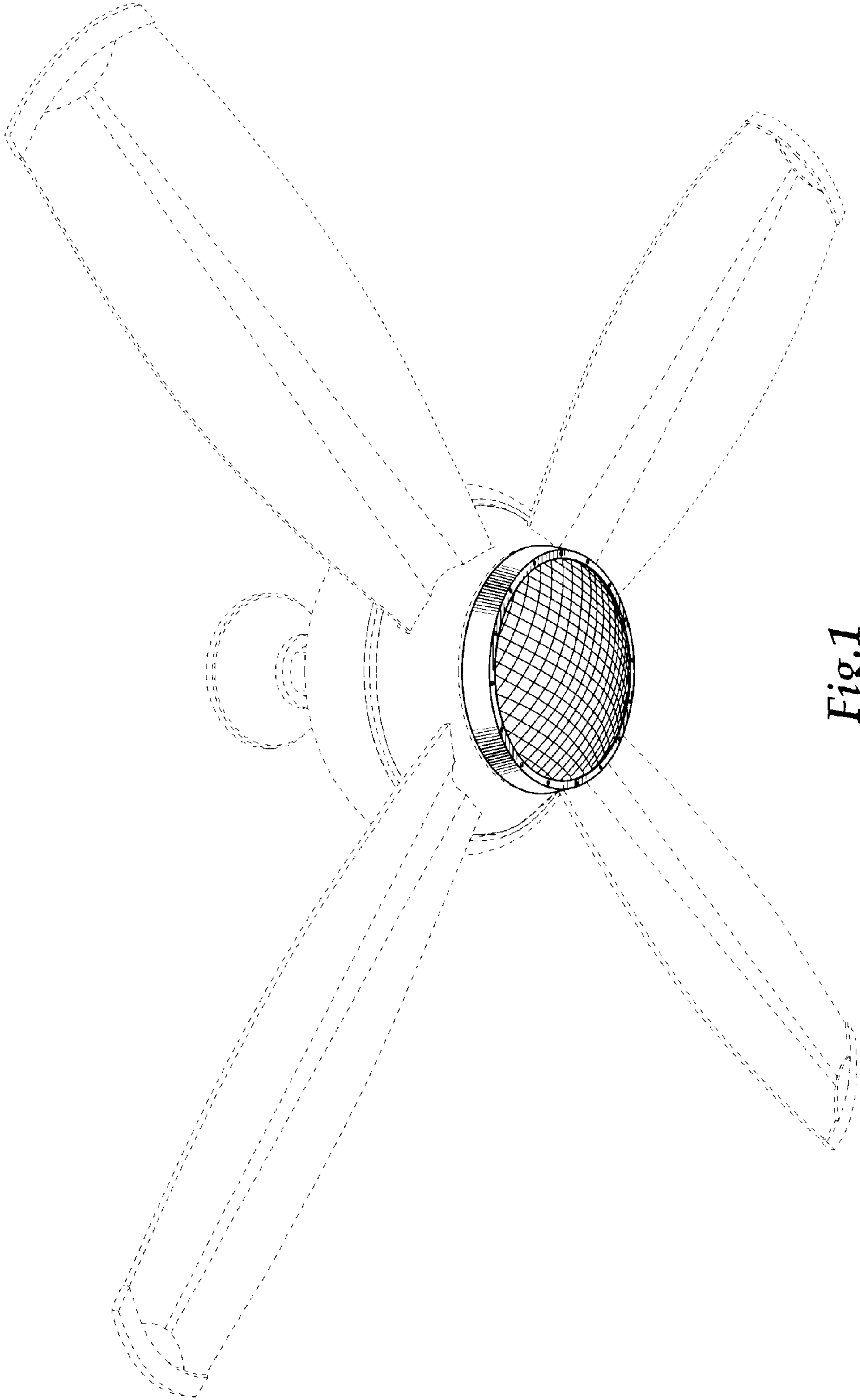
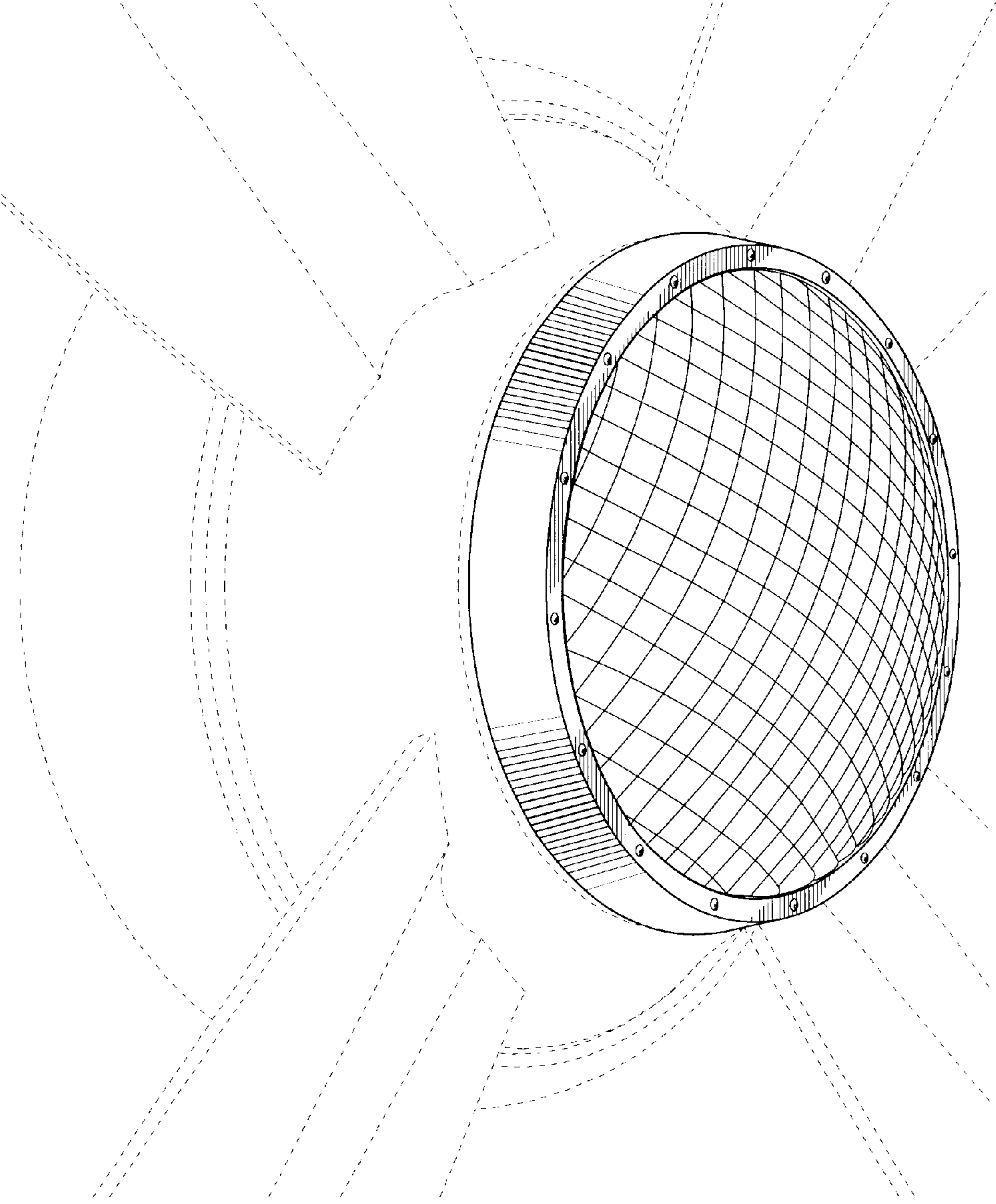
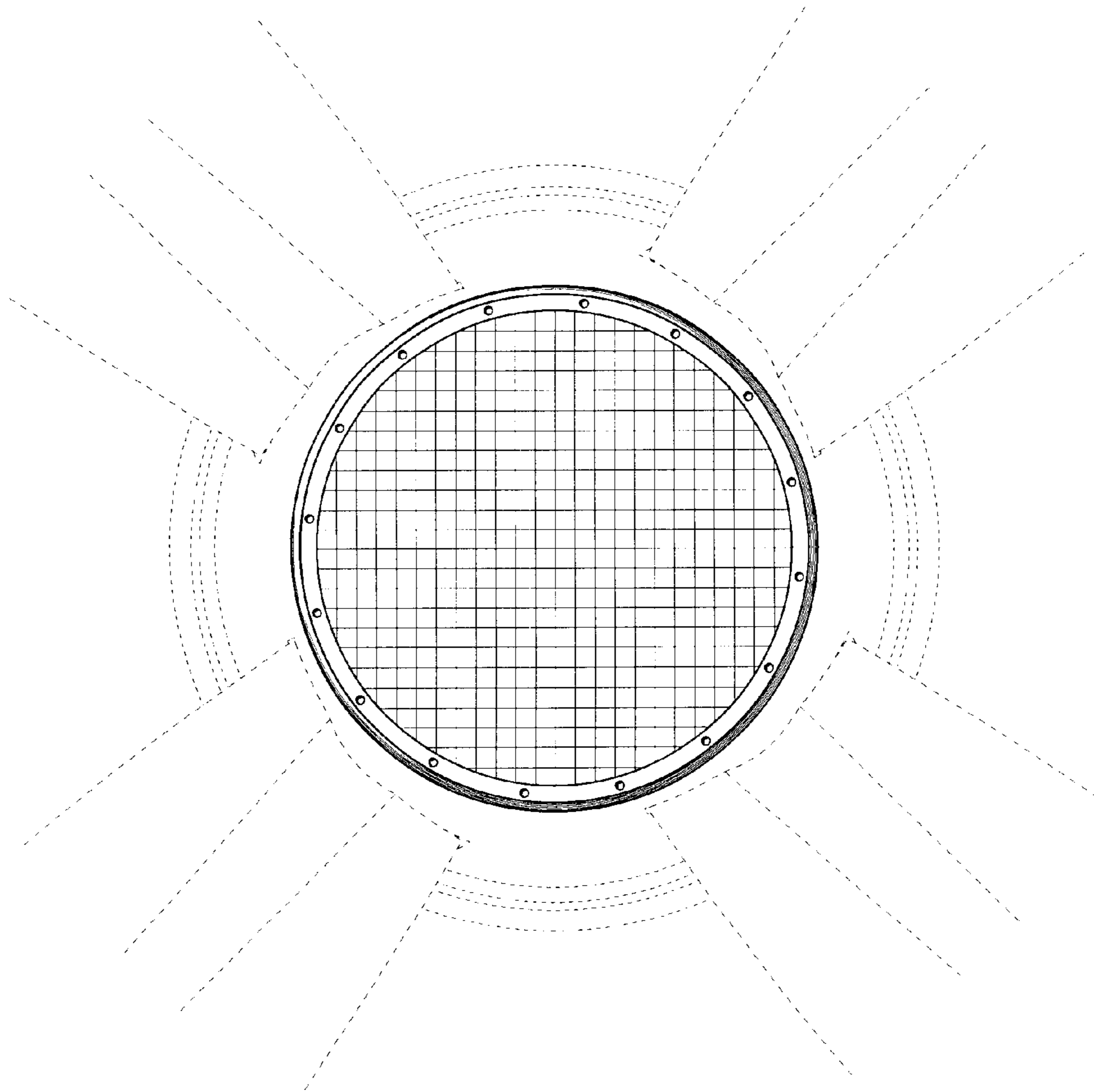


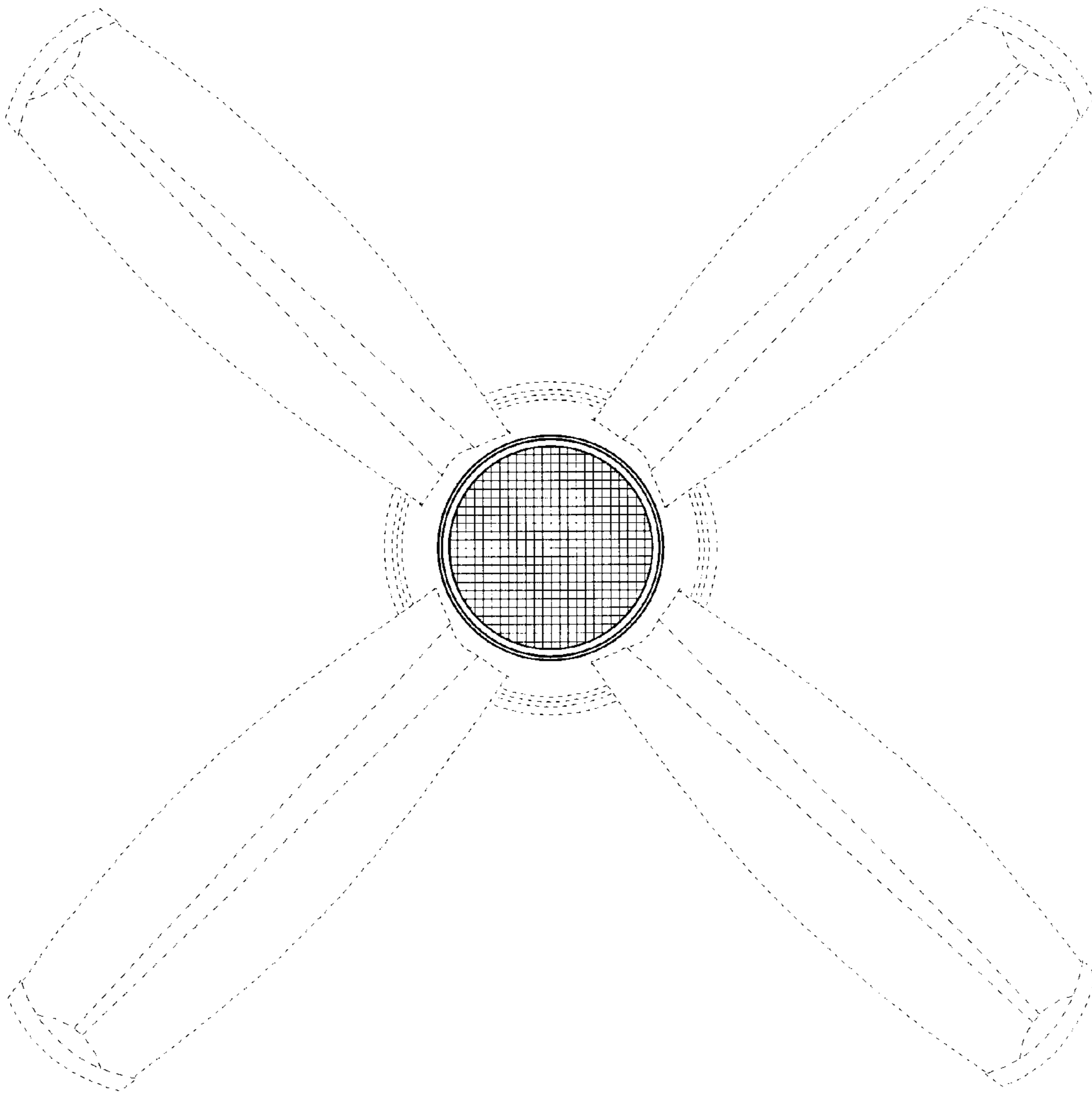
Fig. 1

Fig.2

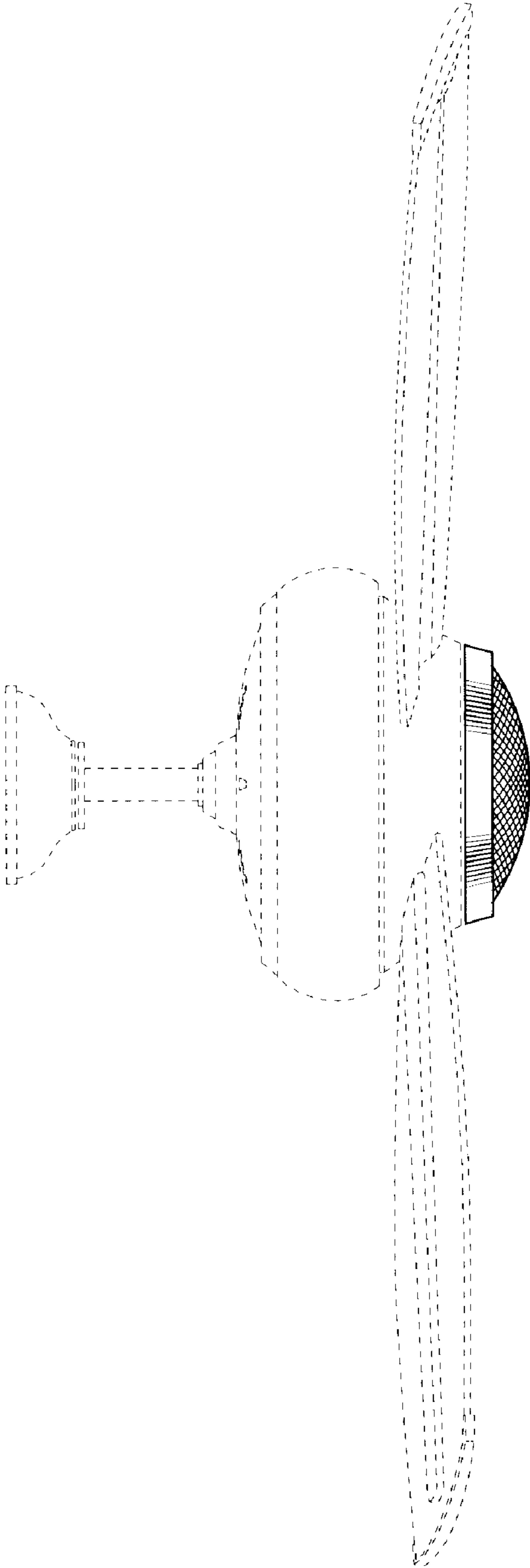




*Fig.3*



*Fig.4*



*Fig.5*

UNITED STATES PATENT AND TRADEMARK OFFICE  
**CERTIFICATE OF CORRECTION**

PATENT NO. : Des. 519,661 S  
APPLICATION NO. : 29/228282  
DATED : April 25, 2006  
INVENTOR(S) : Stanfield Young

Page 1 of 1

It is certified that error appears in the above-identified patent and that said Letters Patent is hereby corrected as shown below:

On Title Page, in the "Description" - Fig. 5 there is a repetitive sentence. Please delete the second "the opposite side being substantially identical to that shown except".

Signed and Sealed this

Fifteenth Day of August, 2006

A handwritten signature in black ink on a dotted background. The signature reads "Jon W. Dudas" in a cursive style.

JON W. DUDAS

*Director of the United States Patent and Trademark Office*