



US00D519656S

(12) **United States Design Patent**  
**Howser**

(10) **Patent No.:** **US D519,656 S**

(45) **Date of Patent:** **\*\* Apr. 25, 2006**

(54) **SIDE TURN SIGNAL AND SIDE MARKER LAMP**

(75) Inventor: **Steven Mitchell Howser**, Madison, IN (US)

(73) Assignee: **Grote Industries, Inc.**, Madison, IN (US)

(\*\*) Term: **14 Years**

(21) Appl. No.: **29/223,515**

(22) Filed: **Feb. 15, 2005**

(51) **LOC (8) Cl.** ..... **26-06**

(52) **U.S. Cl.** ..... **D26/28**

(58) **Field of Classification Search** ..... D26/37-50;  
362/61, 80, 81, 82, 83, 83.4, 269, 275, 330-340  
See application file for complete search history.

(56) **References Cited**

U.S. PATENT DOCUMENTS

D462,468 S	*	9/2002	Tsay	.....	D26/28
D486,593 S	*	2/2004	Griffin	.....	D26/28
D489,466 S	*	5/2004	Dohogne et al.	.....	D26/28
D510,147 S	*	9/2005	Huang	.....	D26/28

\* cited by examiner

*Primary Examiner*—Marcus A. Jackson  
(74) *Attorney, Agent, or Firm*—Woodard, Emhardt, Moriarty McNett & Henry LLP

(57) **CLAIM**

The ornamental design for a side turn signal and side marker lamp, as shown and described.

**DESCRIPTION**

FIG. 1 is a perspective plan view of my new side turn signal and side marker lamp design.

FIG. 2 is a top plan view of my new side turn signal and side marker lamp design.

FIG. 3 is a first side elevational view of my new side turn signal and side marker lamp design.

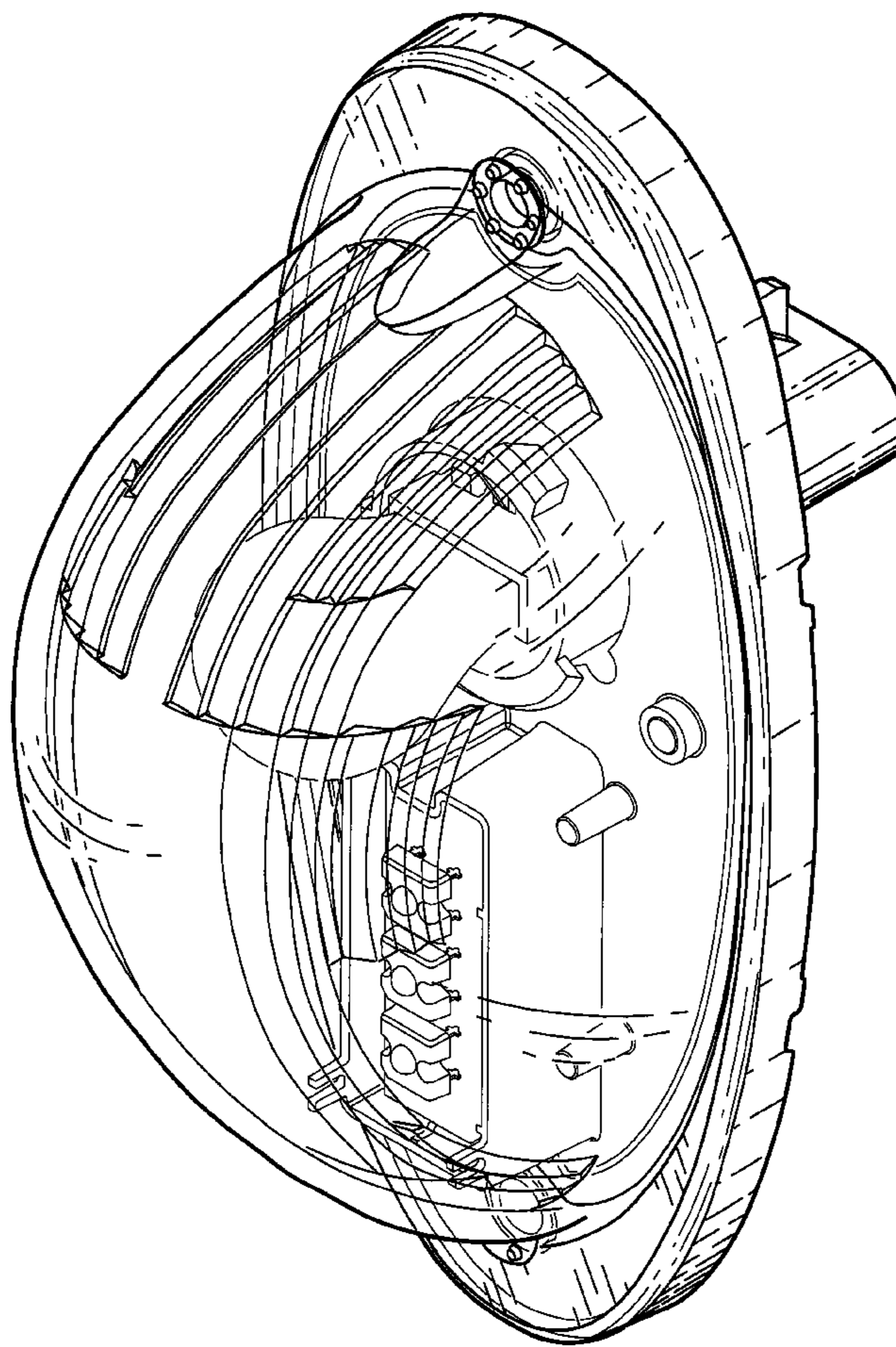
FIG. 4 is a second side elevational view of my new side turn signal and side marker lamp design.

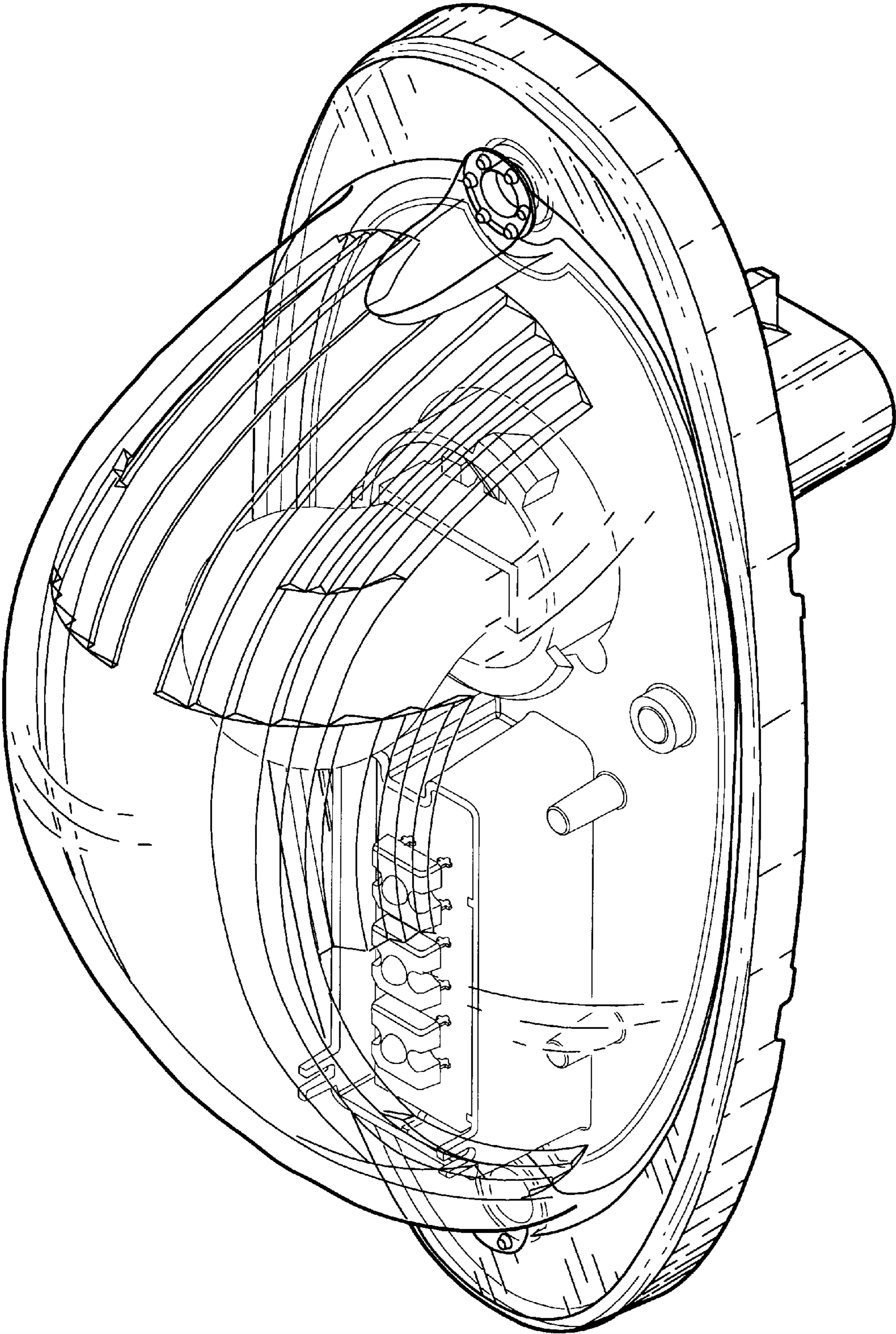
FIG. 5 is a first end elevational view of my new side turn signal and side marker lamp design.

FIG. 6 is a second end elevational view of my new side turn signal and side marker lamp design; and,

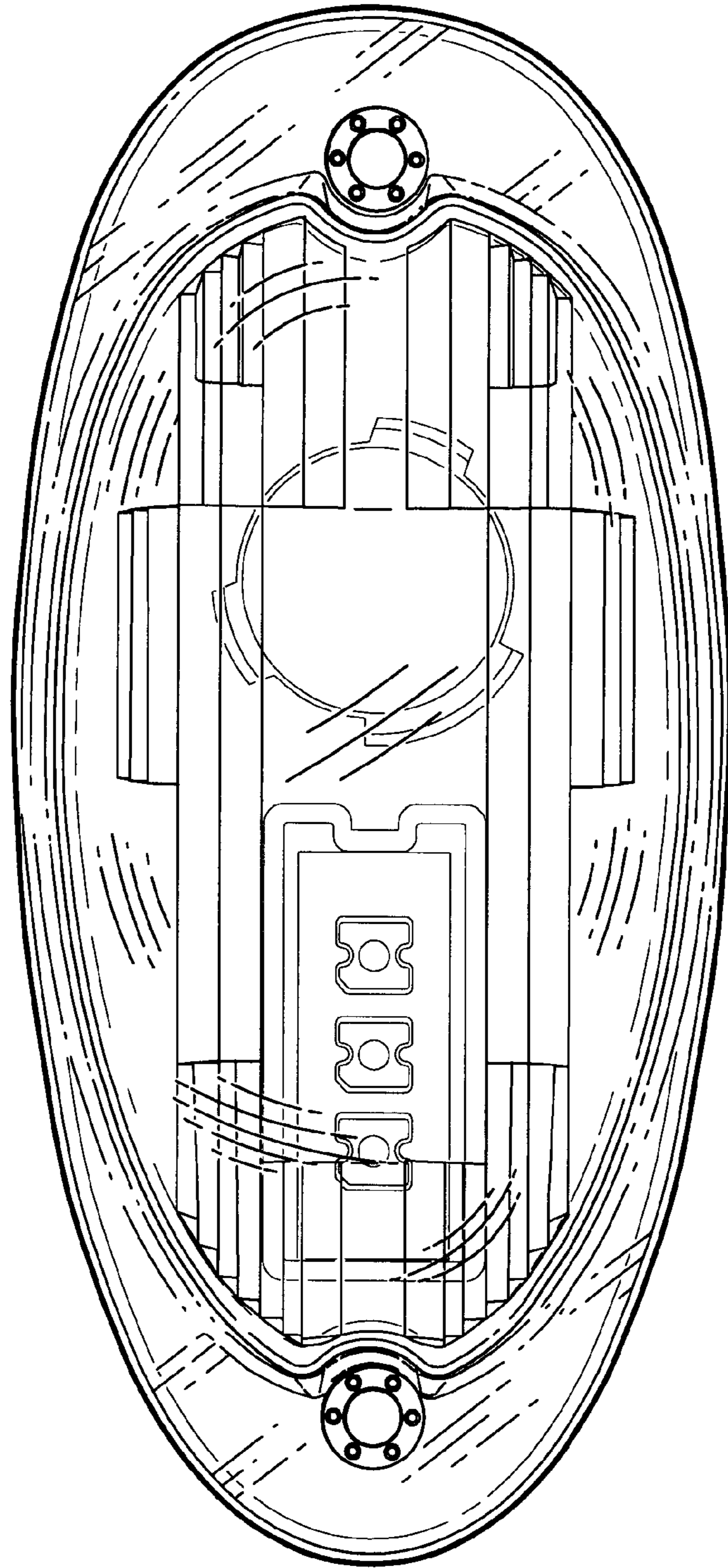
FIG. 7 is a bottom plan view of my new side turn signal and side marker lamp design.

**1 Claim, 6 Drawing Sheets**

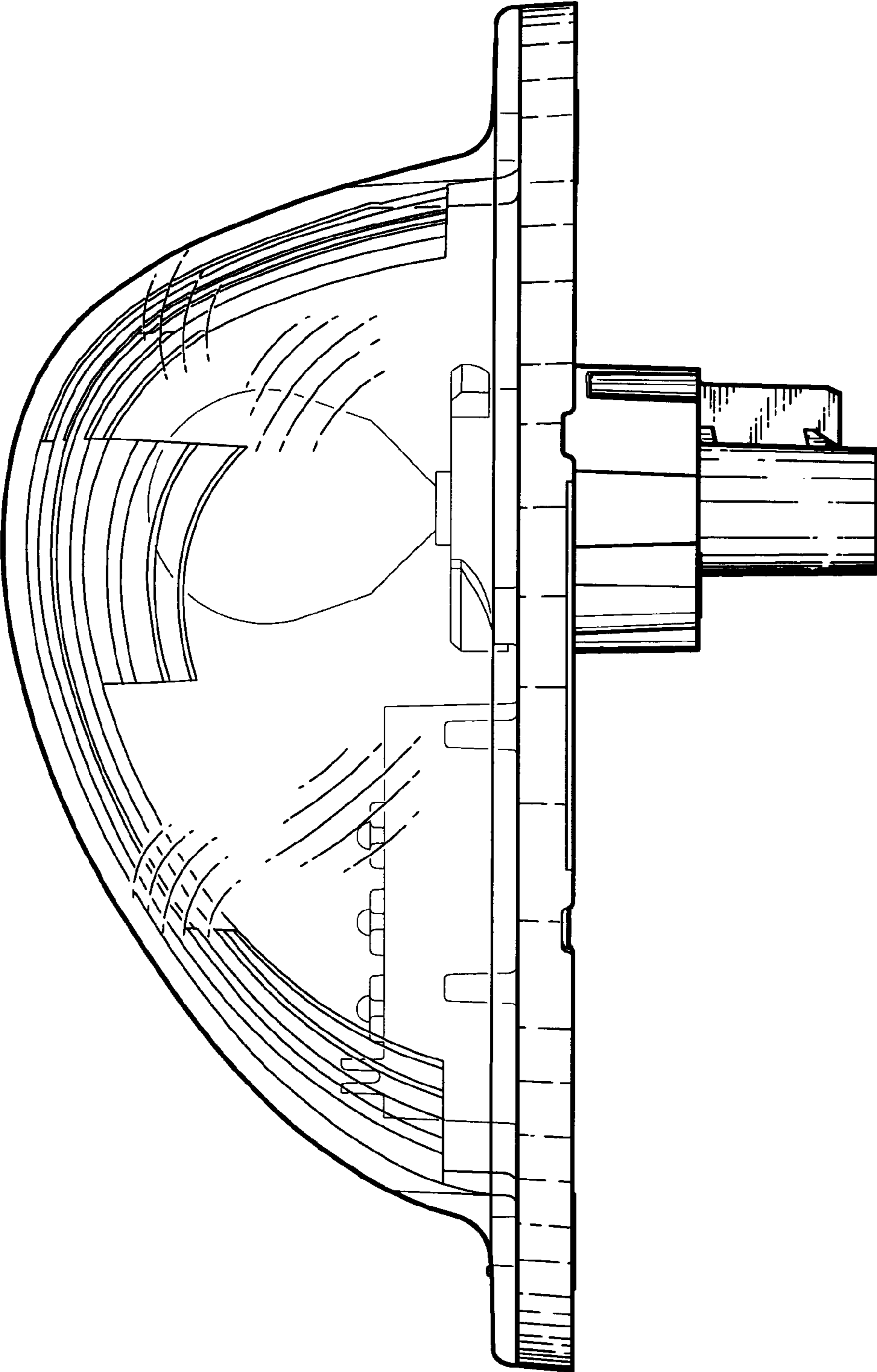




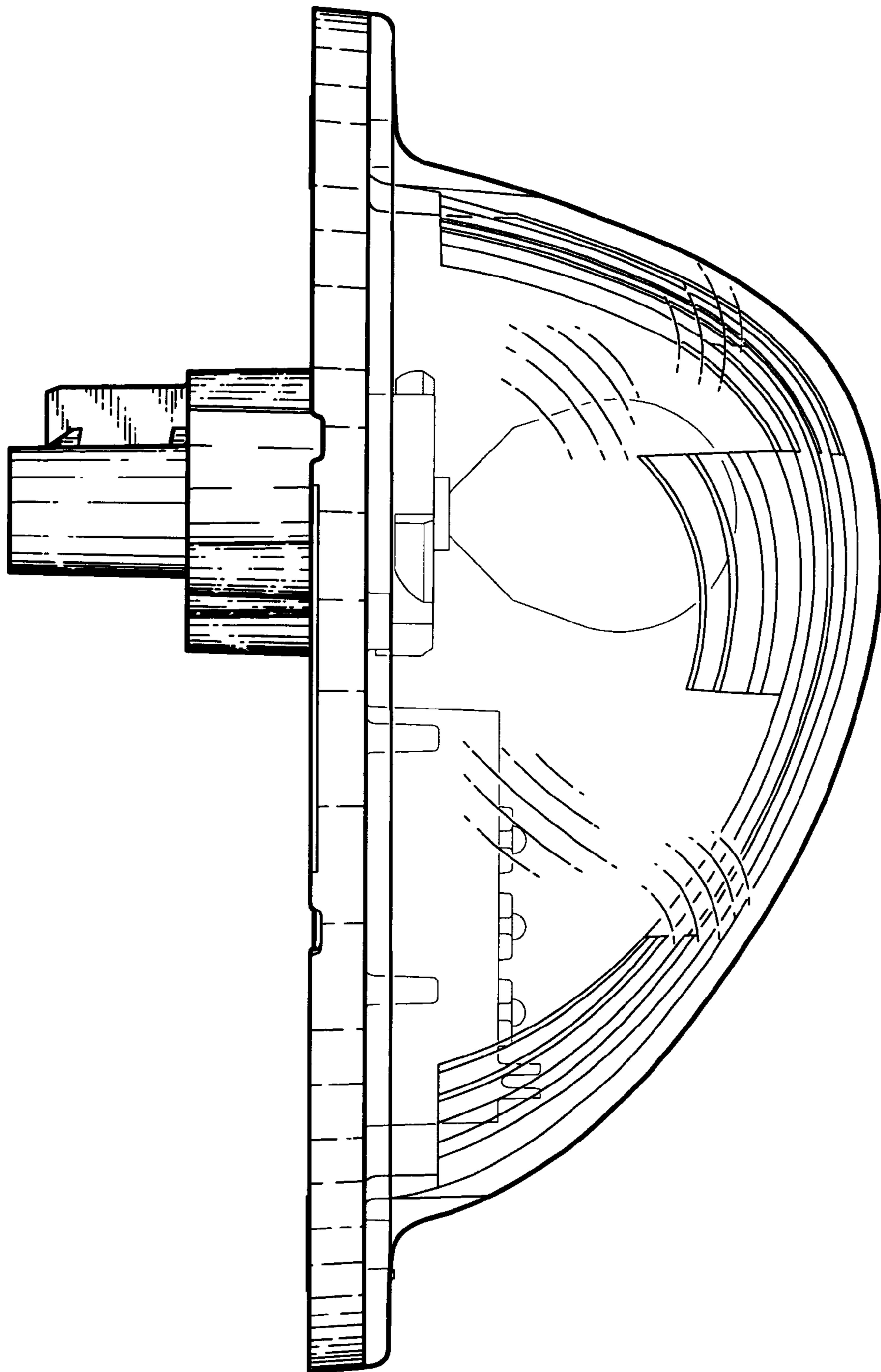
**Fig. 1**



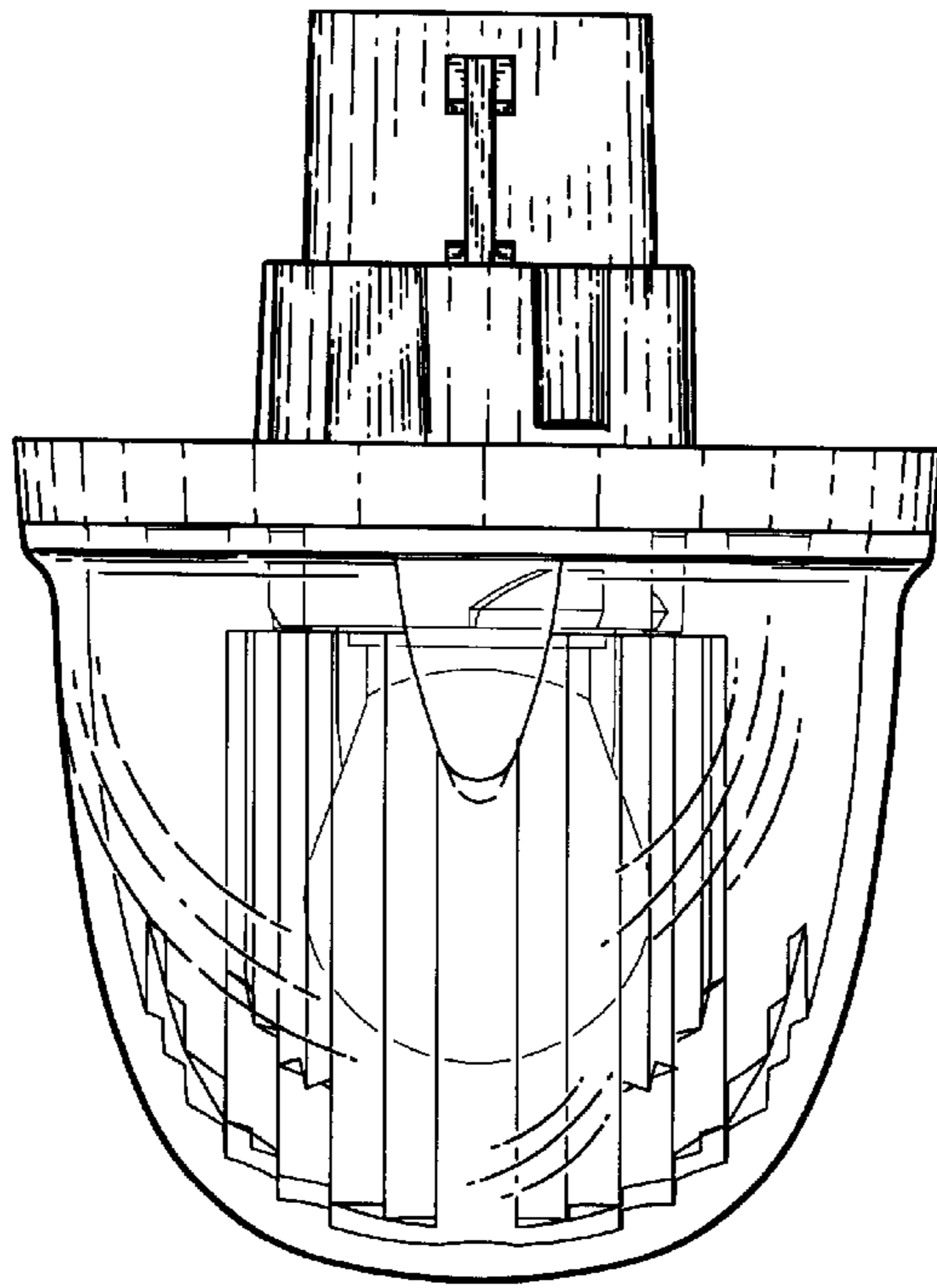
**Fig. 2**



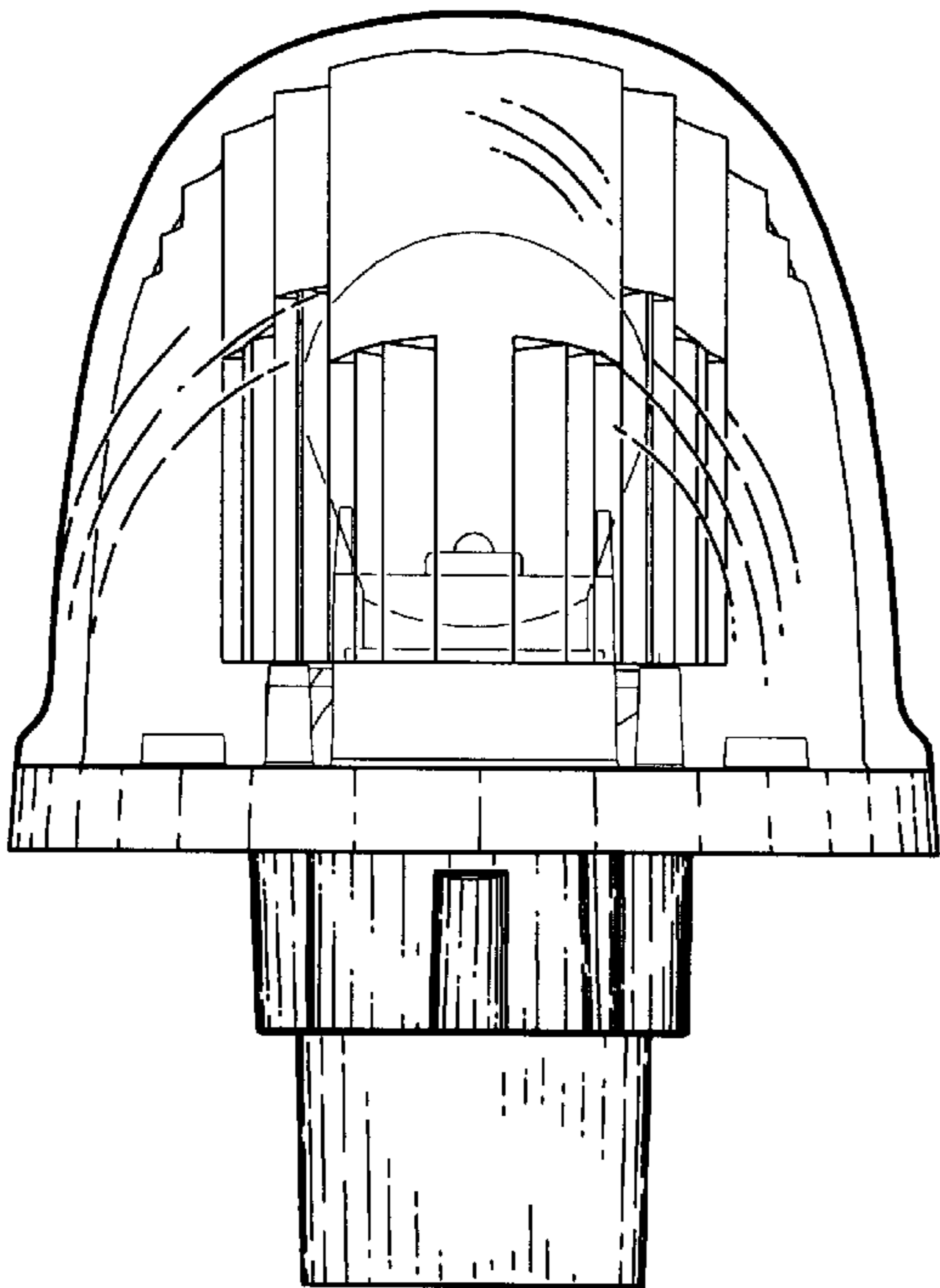
**Fig. 3**



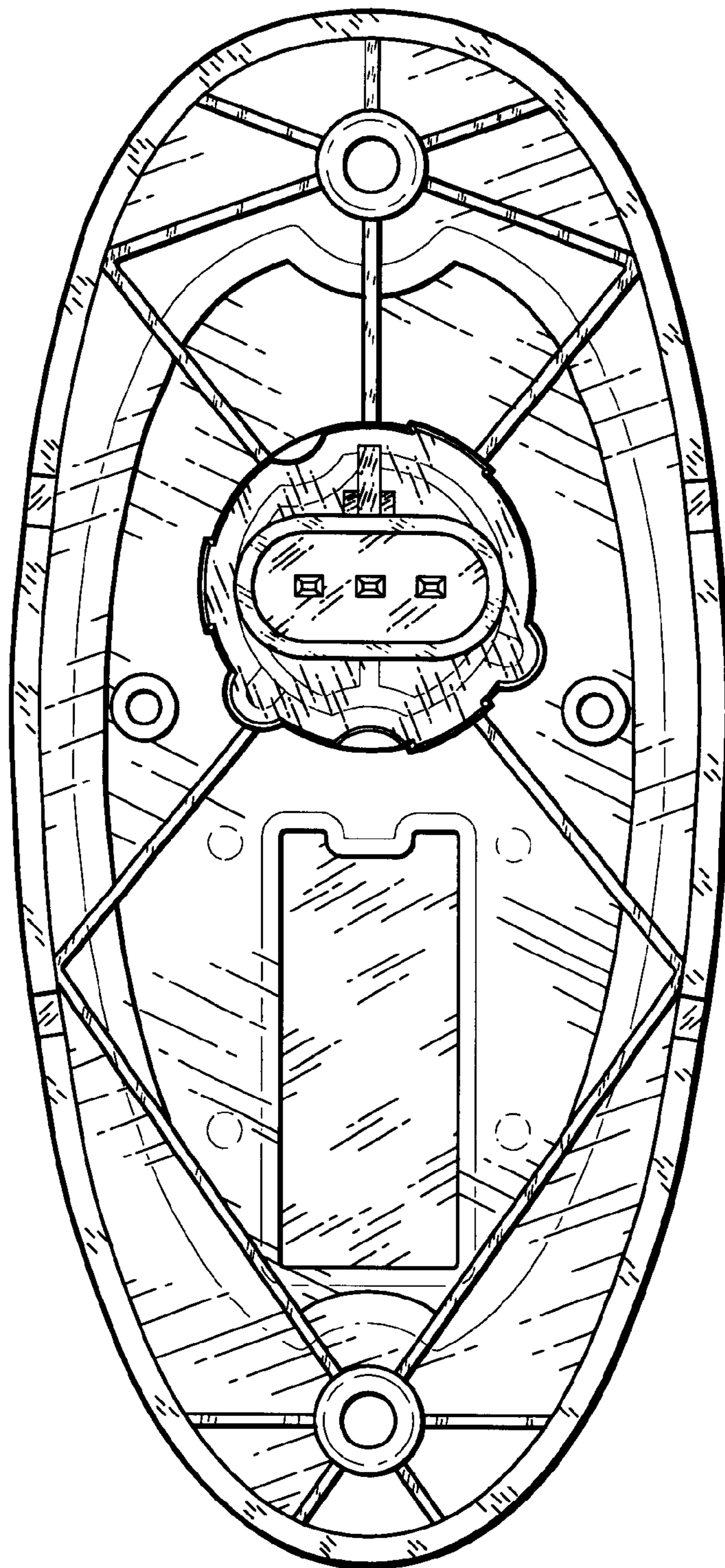
**Fig. 4**



**Fig. 5**



**Fig. 6**



**Fig. 7**