



US00D519647S

(12) **United States Design Patent**
Watson

(10) **Patent No.:** **US D519,647 S**

(45) **Date of Patent:** **** Apr. 25, 2006**

(54) **MOBILE DEER STAND**

(76) Inventor: **Larry Watson**, 4311 Betts St.,
Gulfport, MS (US) 39501

(**) Term: **14 Years**

(21) Appl. No.: **29/215,165**

(22) Filed: **Oct. 14, 2004**

(51) **LOC (8) Cl.** **25-04**

(52) **U.S. Cl.** **D25/62**

(58) **Field of Classification Search** 182/101,
182/102, 103, 63.1; 135/901; D25/62

See application file for complete search history.

(56) **References Cited**

U.S. PATENT DOCUMENTS

5,111,907	A	*	5/1992	Kishi	182/69.4
D335,188	S	*	4/1993	Rosser	D25/62
5,295,555	A		3/1994	Strange		
D359,133	S	*	6/1995	Dull et al.	D25/62
5,862,827	A		1/1999	Howze		
D452,331	S	*	12/2001	Bohlman	D25/62

6,347,684	B1		2/2002	Fath et al.
6,460,653	B1		10/2002	Hardy et al.
6,550,575	B1		4/2003	Spencer et al.
6,739,428	B1		5/2004	Homes et al.
2002/0134620	A1		9/2002	Meyer

* cited by examiner

Primary Examiner—Doris Clark

(74) *Attorney, Agent, or Firm*—Roy, Kiesel, Keegan &
DeNicola

(57) **CLAIM**

I claim, the ornamental design for a mobile deer stand, as shown and described.

DESCRIPTION

FIG. 1 is a bottom view of the mobile deer stand.
 FIG. 2 is a front view of the mobile deer stand.
 FIG. 3 is a right-side view of the mobile deer stand.
 FIG. 4 is a rear view of the mobile deer stand.
 FIG. 5 is a left-side view of the mobile deer stand.
 FIG. 6 is a top view of the mobile deer stand; and,
 FIG. 7 is a perspective view of the mobile deer stand.

1 Claim, 7 Drawing Sheets

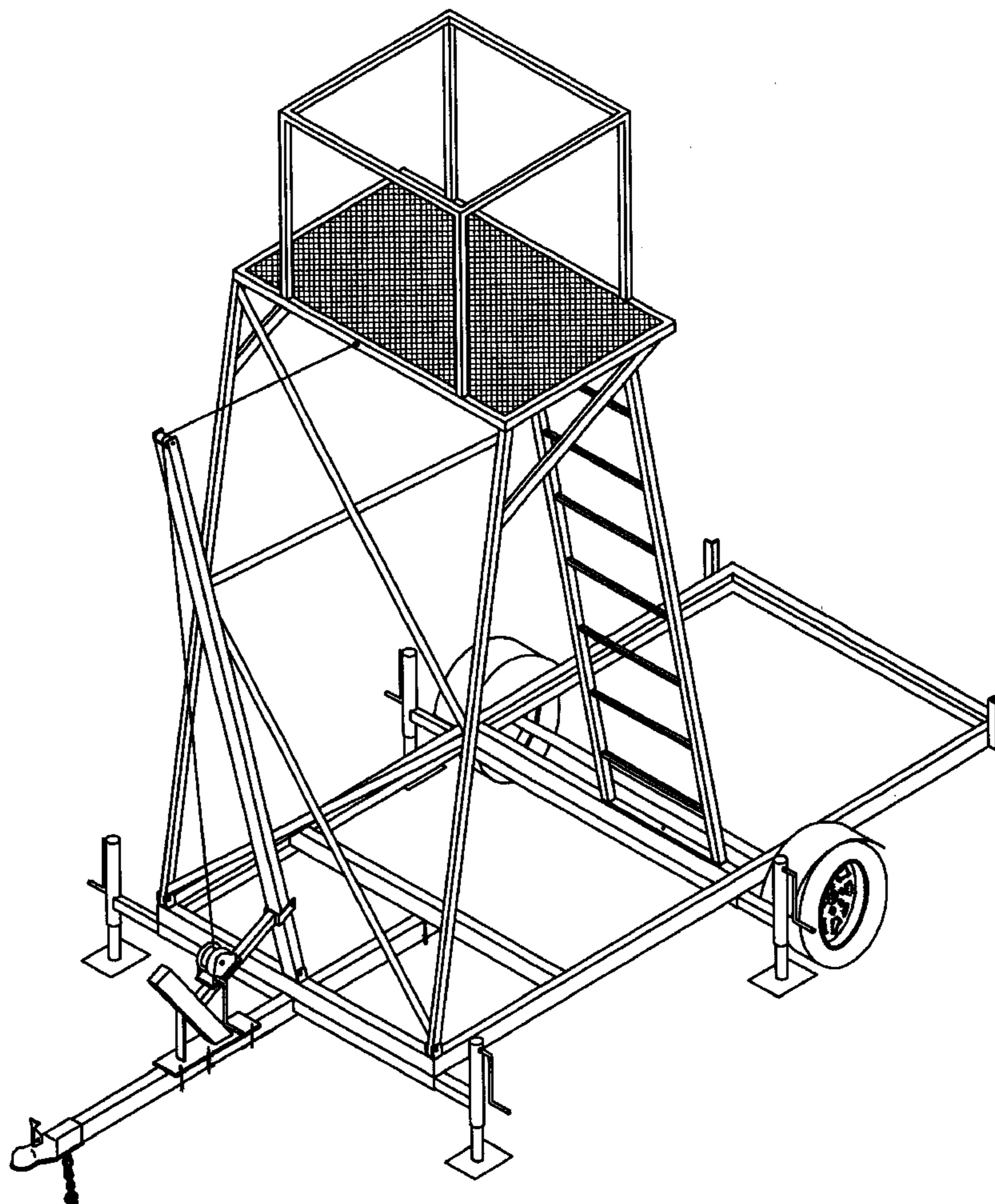


Figure 1

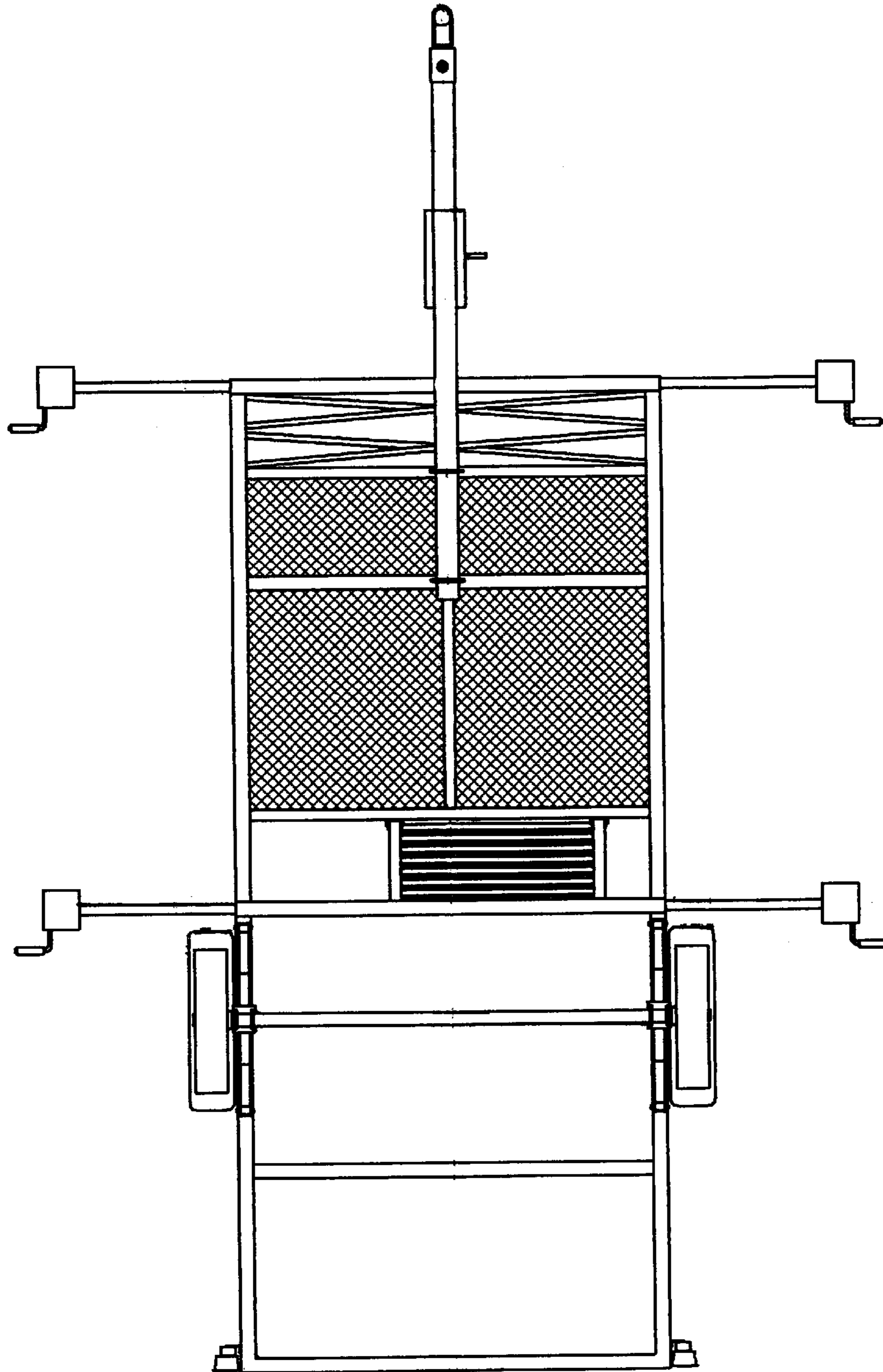


Figure 2

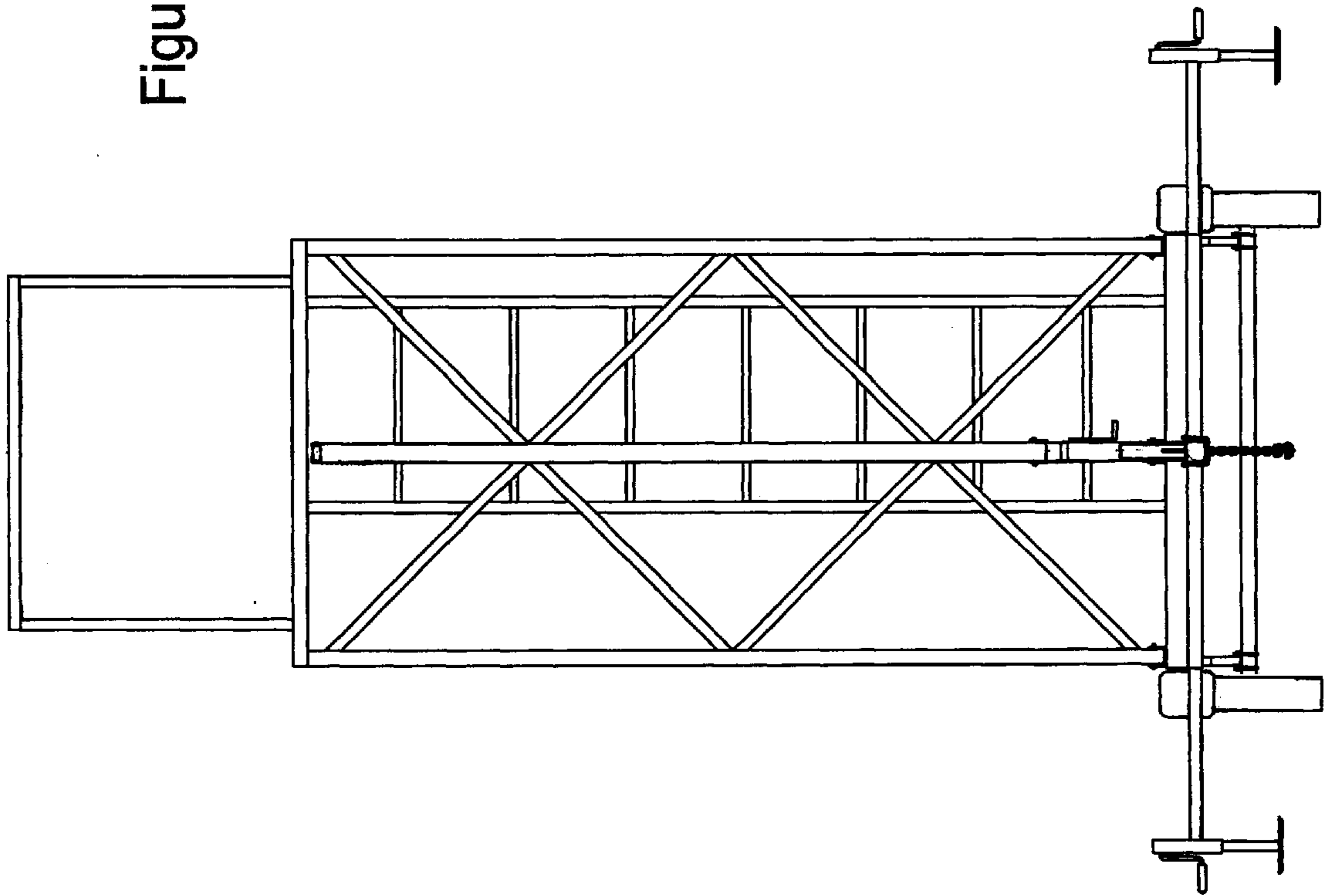


Figure 3

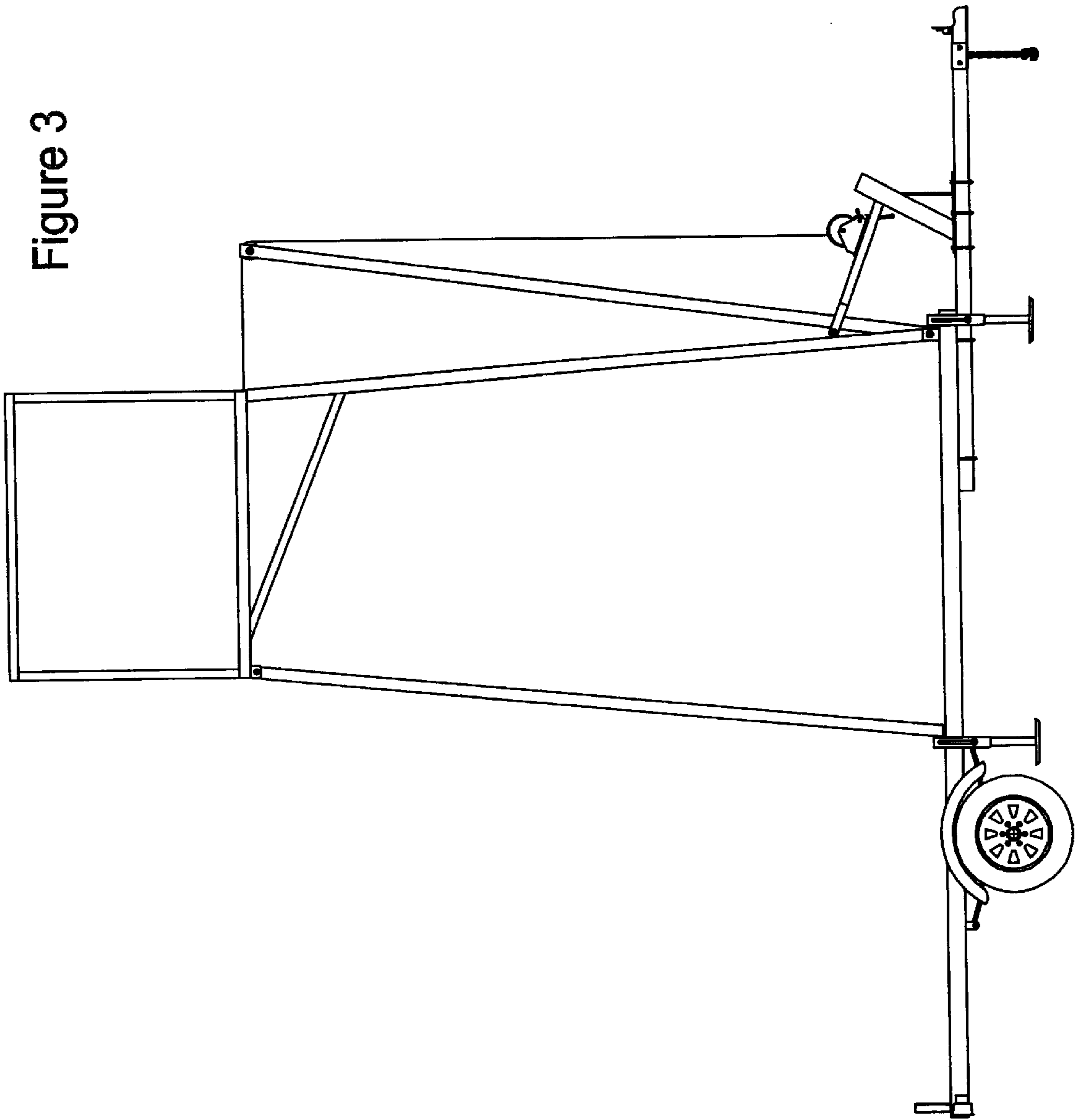


Figure 4

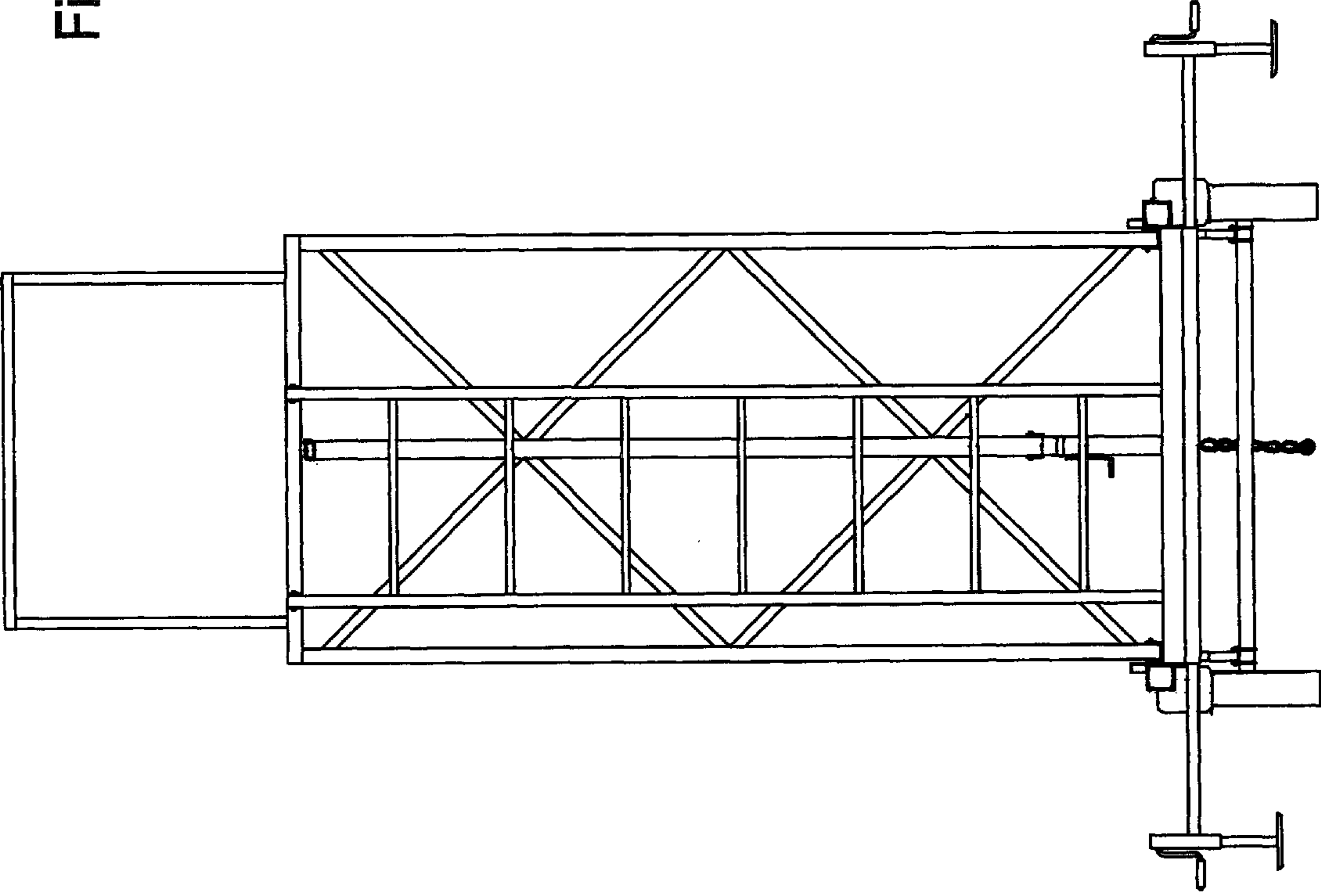


Figure 5

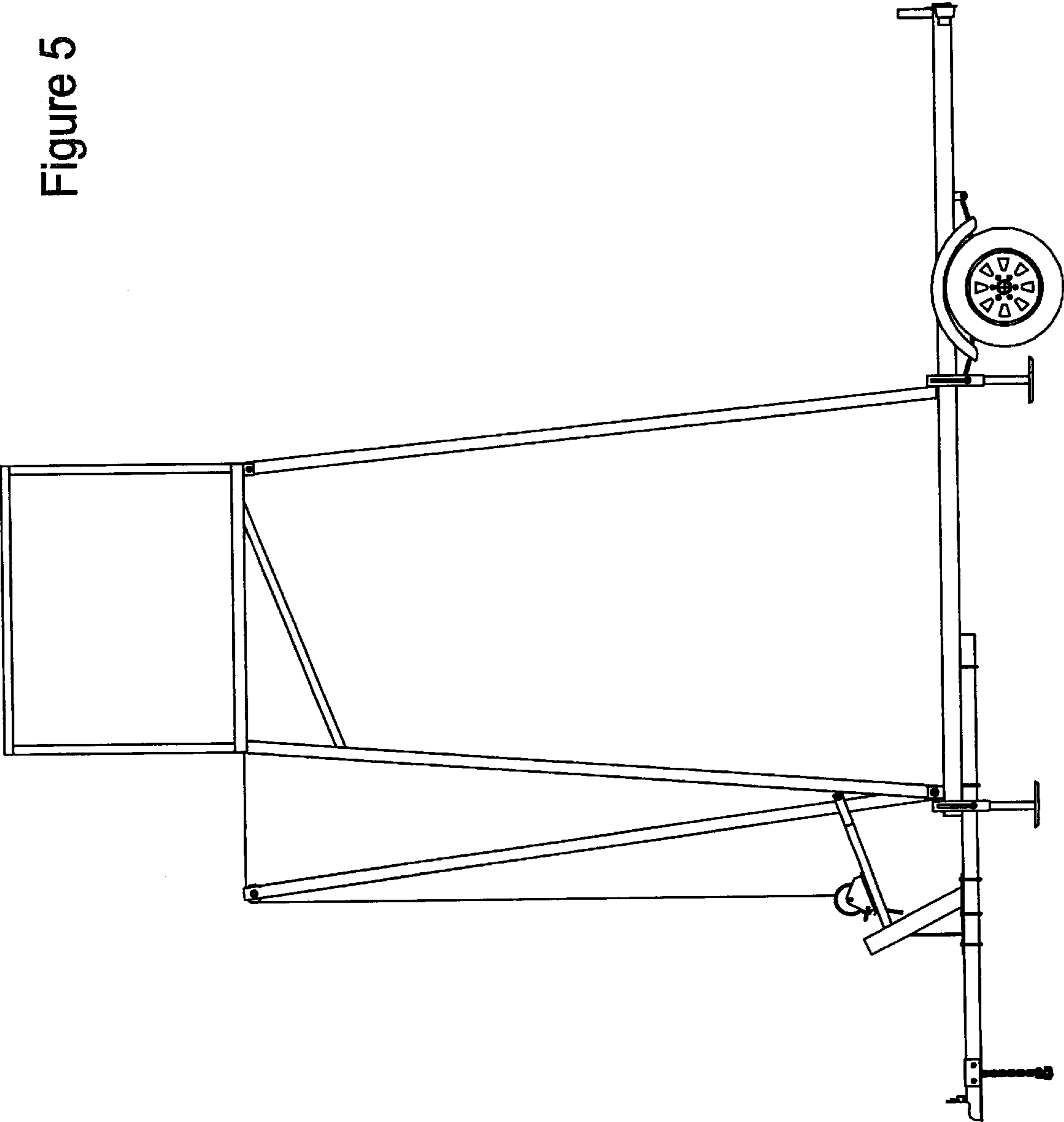
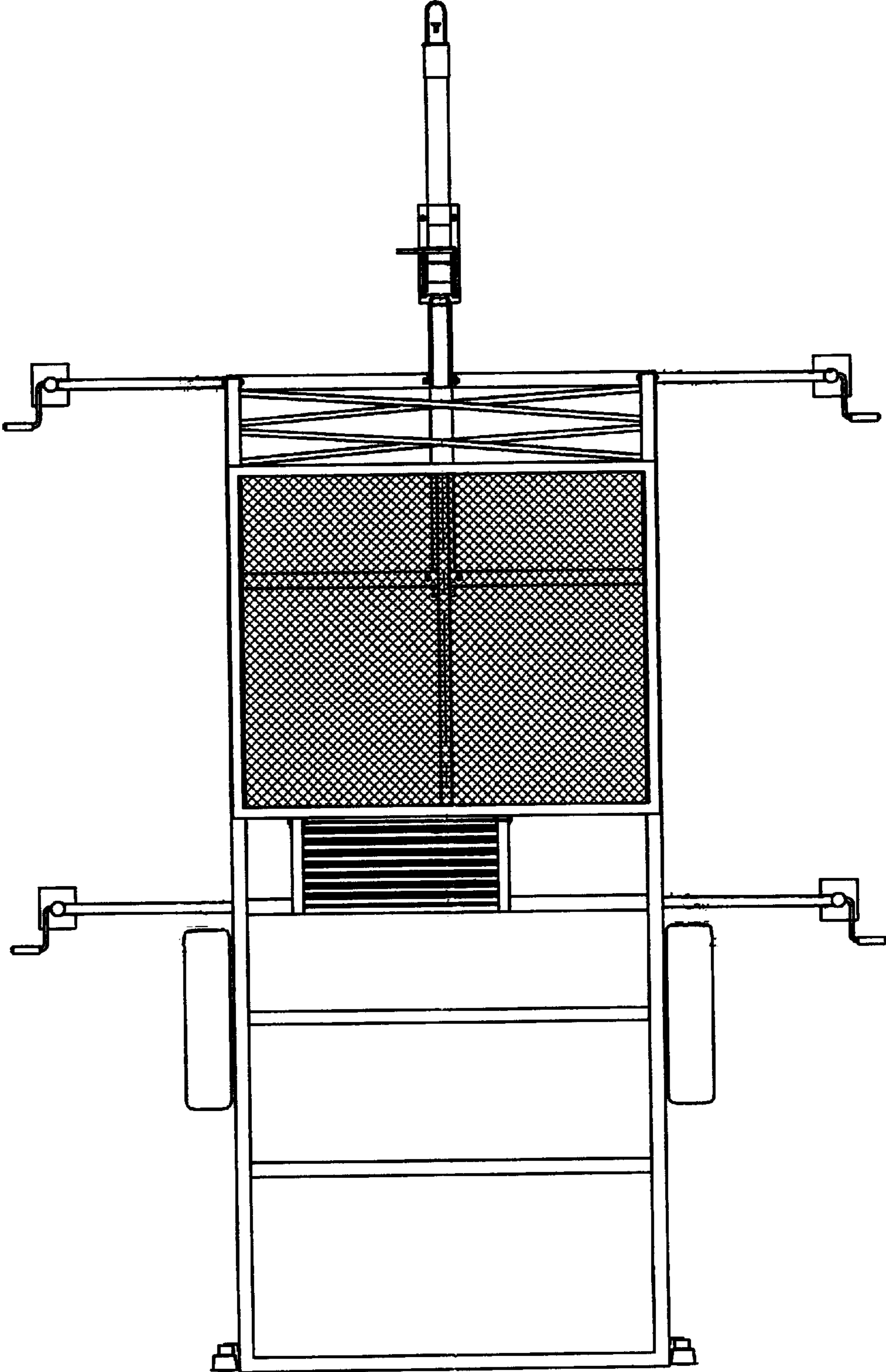


Figure 6



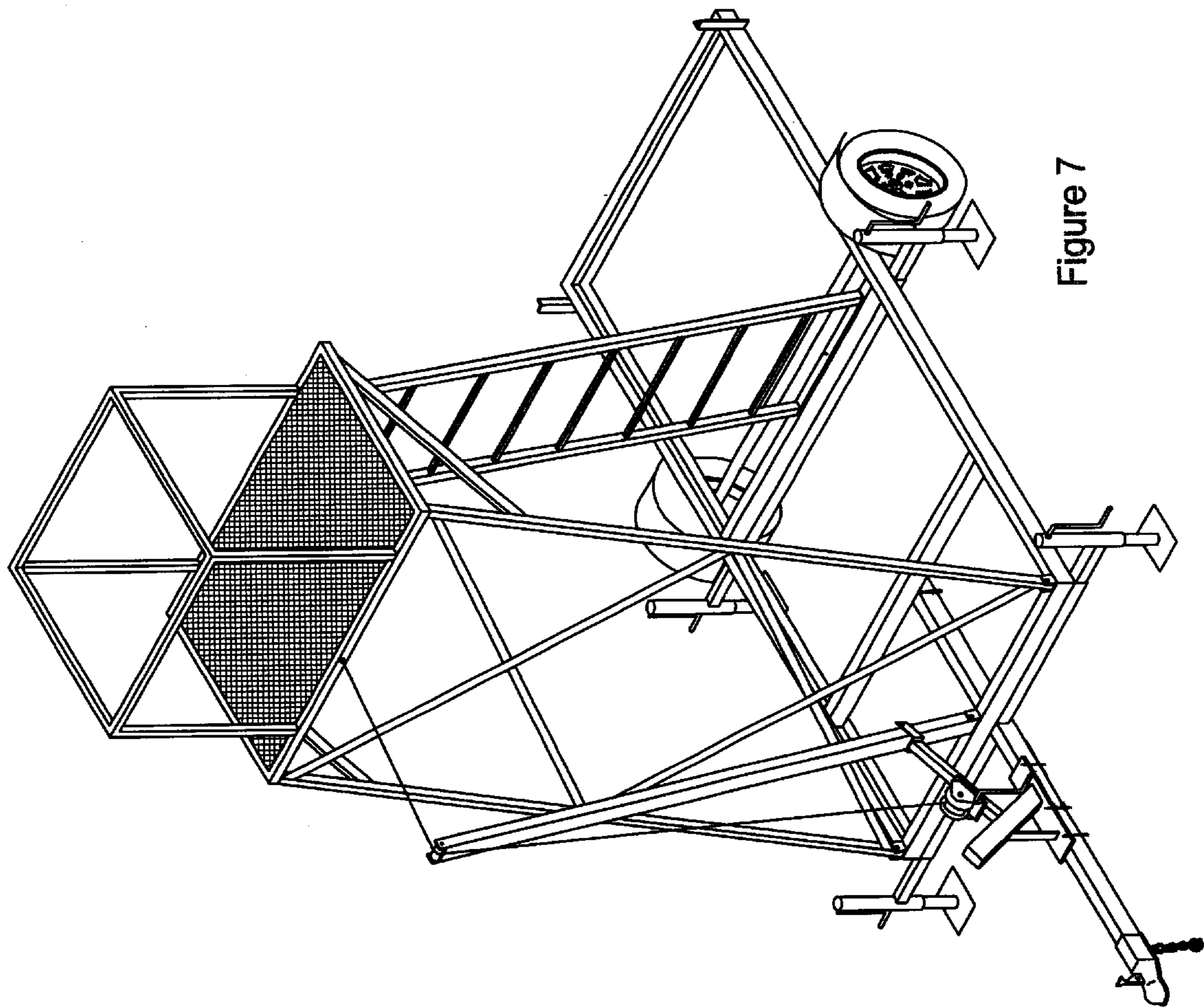


Figure 7