



US00D519642S

(12) **United States Design Patent**
Lansohn

(10) **Patent No.:** **US D519,642 S**

(45) **Date of Patent:** **** Apr. 25, 2006**

(54) **THERAPY APPLICATOR HEAD**

(76) Inventor: **Eric Lansohn**, Hochstr. 309, 8201
Schaffhausen (CH)

(**) Term: **14 Years**

(21) Appl. No.: **29/192,083**

(22) Filed: **Oct. 17, 2003**

(30) **Foreign Application Priority Data**

Apr. 19, 2003 (CH) 129673

(51) **LOC (8) Cl.** **28-03**

(52) **U.S. Cl.** **D24/209**

(58) **Field of Classification Search** D24/209-210,
D24/119, 133, 158, 216; D26/37, 76; 362/800,
362/399, 202; 606/1, 17, 13; 607/90-95,
607/88, 1

See application file for complete search history.

(56) **References Cited**

U.S. PATENT DOCUMENTS

D133,969 S * 9/1942 Warren D24/210

2,326,773 A * 8/1943 Floyd 607/92
2,538,685 A * 1/1951 Schroer et al. 607/90
5,562,657 A * 10/1996 Griffin 606/17
D379,511 S * 5/1997 Von Stein D24/133
D441,456 S * 5/2001 Thiberg D24/210
6,328,760 B1 * 12/2001 James 607/88
2004/0145891 A1 * 7/2004 Heine et al. 362/800

* cited by examiner

Primary Examiner—Louis S. Zarfaz

Assistant Examiner—Melanie Levy

(74) *Attorney, Agent, or Firm*—Cohen, Pontanti,
Lieberman & Pavane

(57) **CLAIM**

The ornamental design for a therapy applicator head, as shown and described.

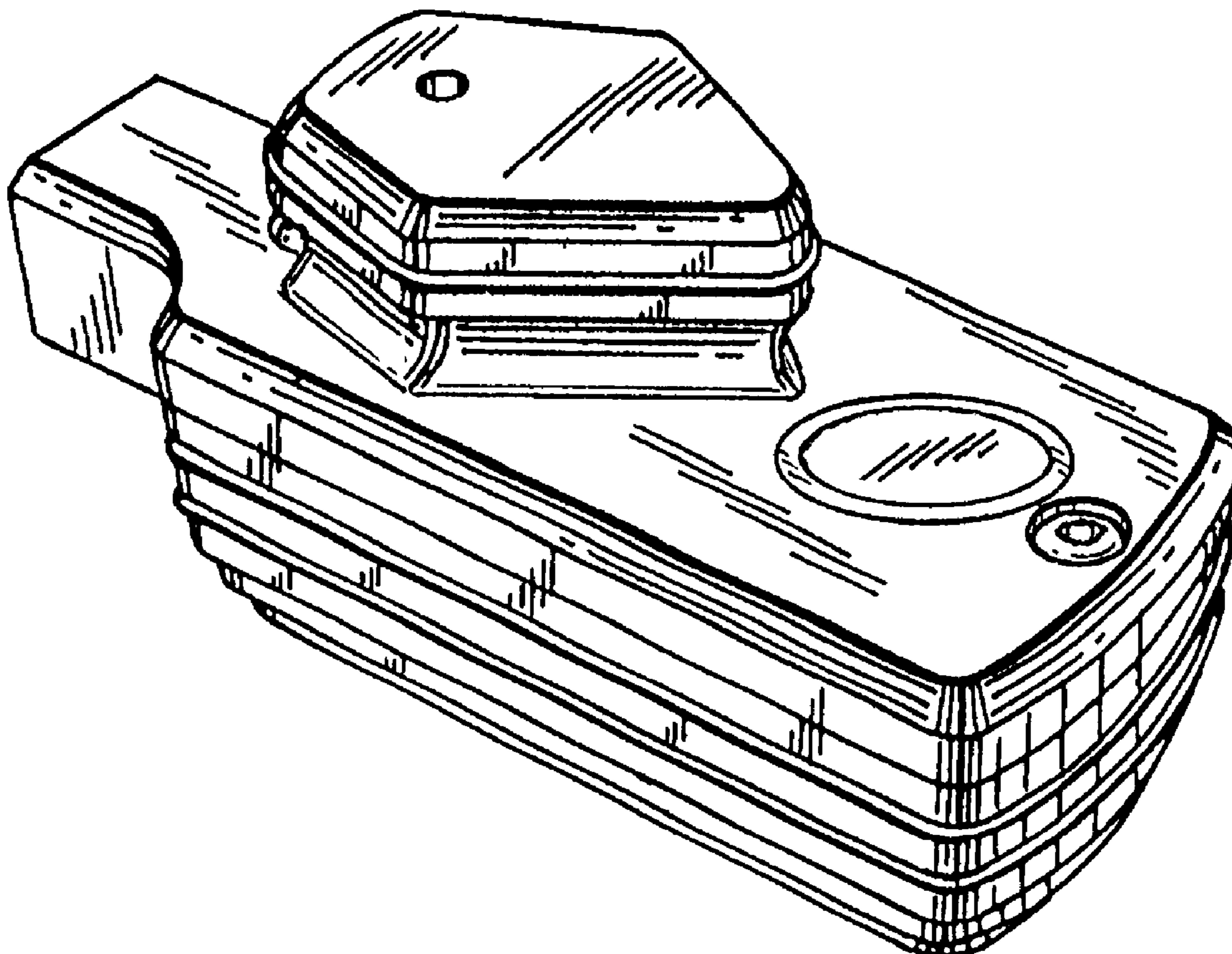
DESCRIPTION

FIG. 1 is a top perspective view of a therapy applicator head showing my new design;

FIG. 2 is a bottom view thereof; and,

FIG. 3 is a top view thereof.

1 Claim, 1 Drawing Sheet



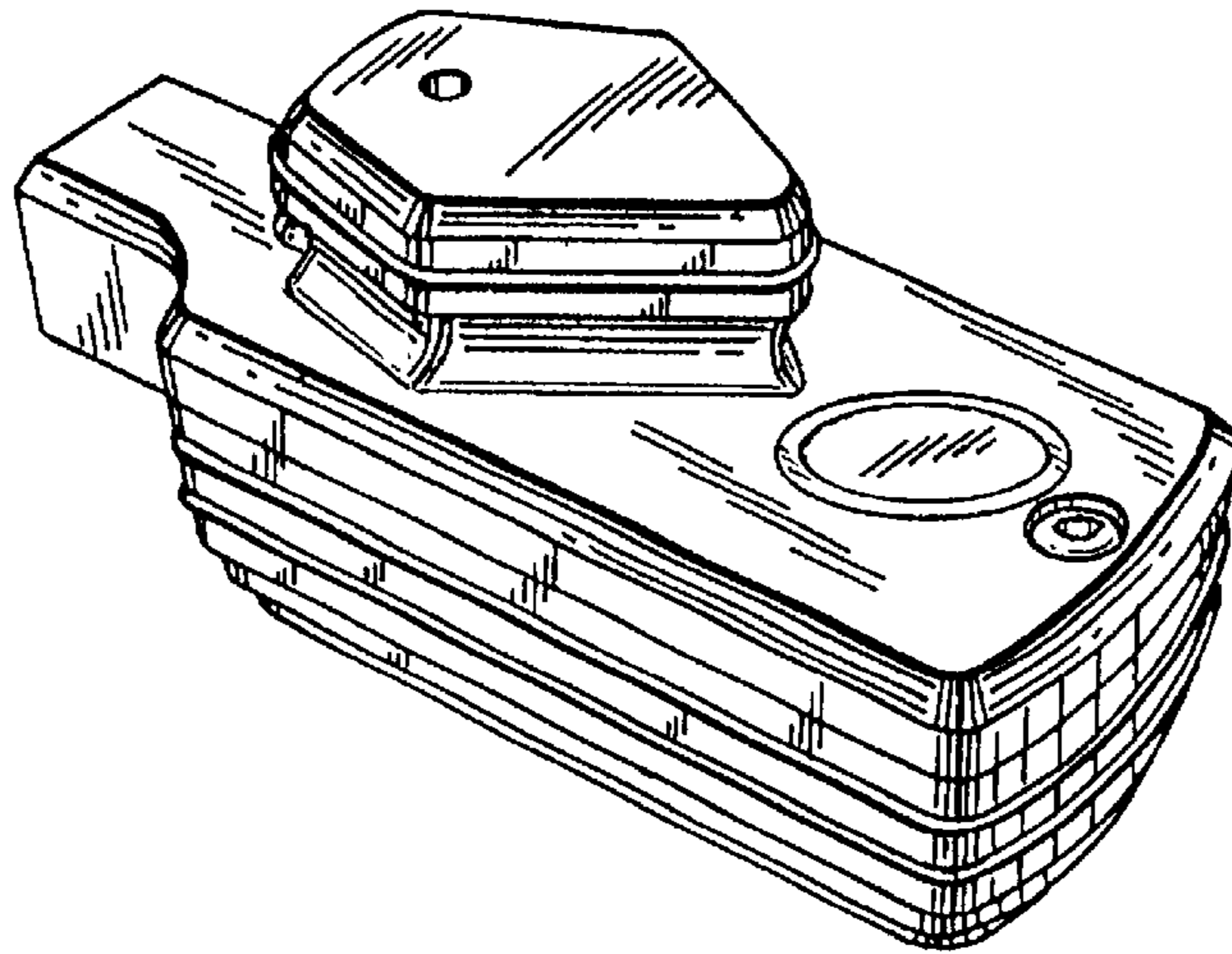


FIG. 1

FIG. 2

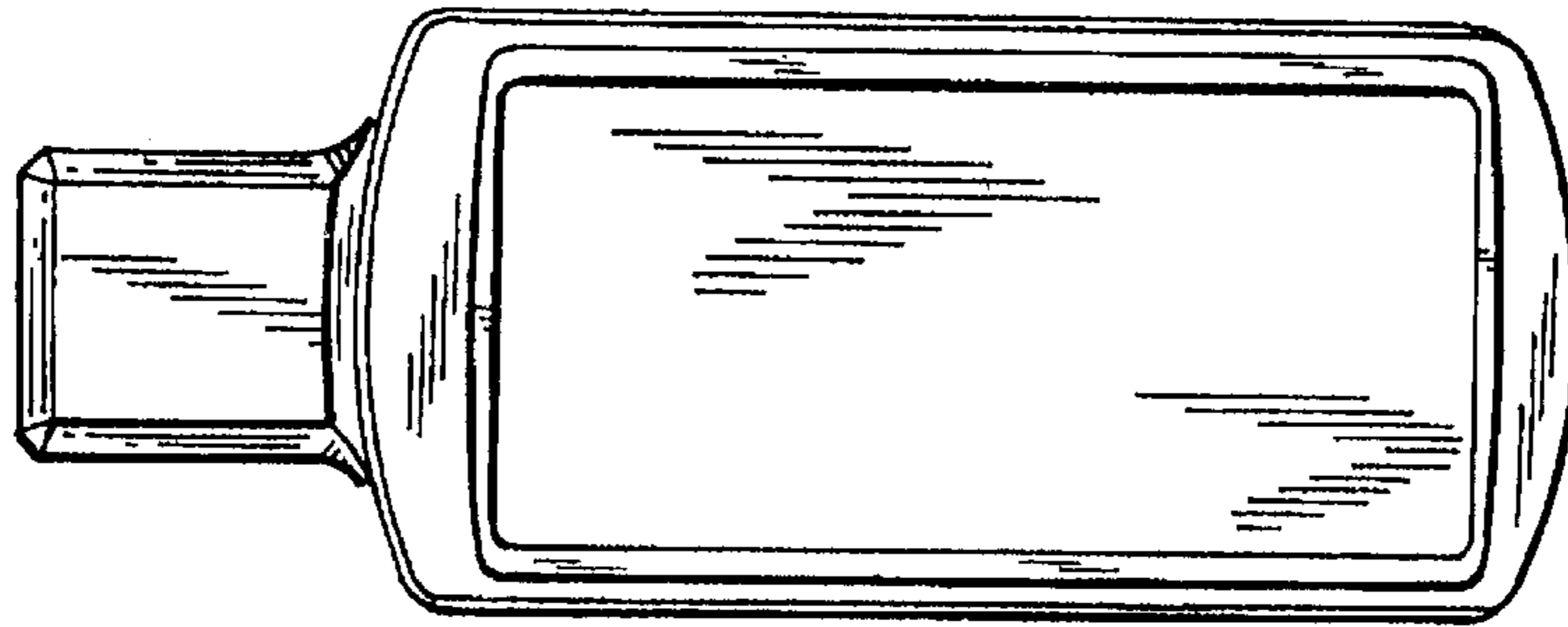


FIG. 3

