



US00D519640S

(12) **United States Design Patent**  
**Marchesi**

(10) **Patent No.:** **US D519,640 S**  
(45) **Date of Patent:** **\*\* Apr. 25, 2006**

(54) **APPARATUS FOR FITNESS TREATMENTS OF HUMAN BODY**

(76) Inventor: **Fabio Paolo Marchesi**, Corso G. Garibaldi 12, Milano (IT), 20121

(\*\*) Term: **14 Years**

(21) Appl. No.: **29/183,814**

(22) Filed: **Jun. 16, 2003**

(30) **Foreign Application Priority Data**

Dec. 20, 2002 (IT) ..... MI2002O0863

(51) **LOC (8) Cl.** ..... **28-03**

(52) **U.S. Cl.** ..... **D24/209**

(58) **Field of Classification Search** ..... D24/200,  
D24/183, 188, 209, 210, 107; 607/88, 91,  
607/90, 9, 100, 96

See application file for complete search history.

(56) **References Cited**

**U.S. PATENT DOCUMENTS**

D257,173 S *	9/1980	Francian et al.	.....	D24/200
D310,878 S *	9/1990	Young	.....	D24/210
D348,107 S *	6/1994	Wilkinson	.....	D24/210
5,849,026 A *	12/1998	Zhou et al.	.....	607/90
6,409,744 B1 *	6/2002	Marchesi	.....	607/96
6,640,051 B1 *	10/2003	Yoon et al.	.....	607/96
6,835,202 B1 *	12/2004	Harth et al.	.....	607/91
2005/0004632 A1 *	1/2005	Benedict	.....	607/88
2005/0075703 A1 *	4/2005	Larsen	.....	607/88

\* cited by examiner

*Primary Examiner*—Ian Simmons

(74) *Attorney, Agent, or Firm*—Schlesingers Fitzsimmons

(57) **CLAIM**

The ornamental design for apparatus for fitness treatments of human body, as shown and described.

**DESCRIPTION**

FIG. 1 is a right side elevational view of an apparatus for fitness treatments of human body showing my new design; FIG. 2 is a left side elevational view of the apparatus of FIG. 1;

FIG. 3 is a rear elevational view of the apparatus of FIG. 1; FIG. 4 is a front elevational view of the apparatus of FIG. 1; FIG. 5 is a top plan view of the apparatus of FIG. 1;

FIG. 6 is a rear perspective view of the apparatus of FIG. 1; FIG. 7 is a front perspective view of the apparatus of FIG. 1;

FIG. 8 is a right side elevational view thereof, shown with the light and chair in a raised condition;

FIG. 9 is a left side elevational view of the apparatus of FIG. 8;

FIG. 10 is a rear elevational view of the apparatus of FIG. 8;

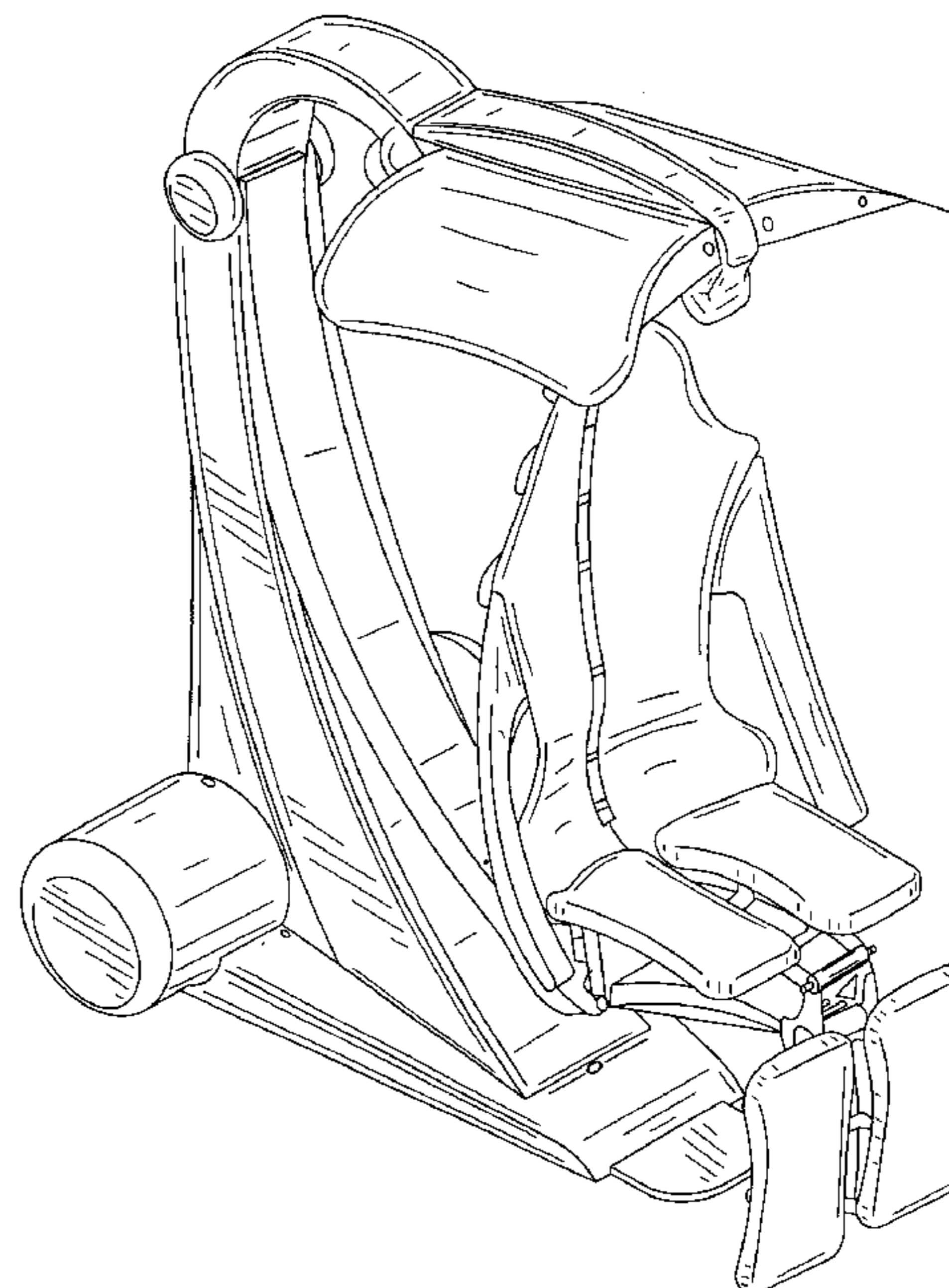
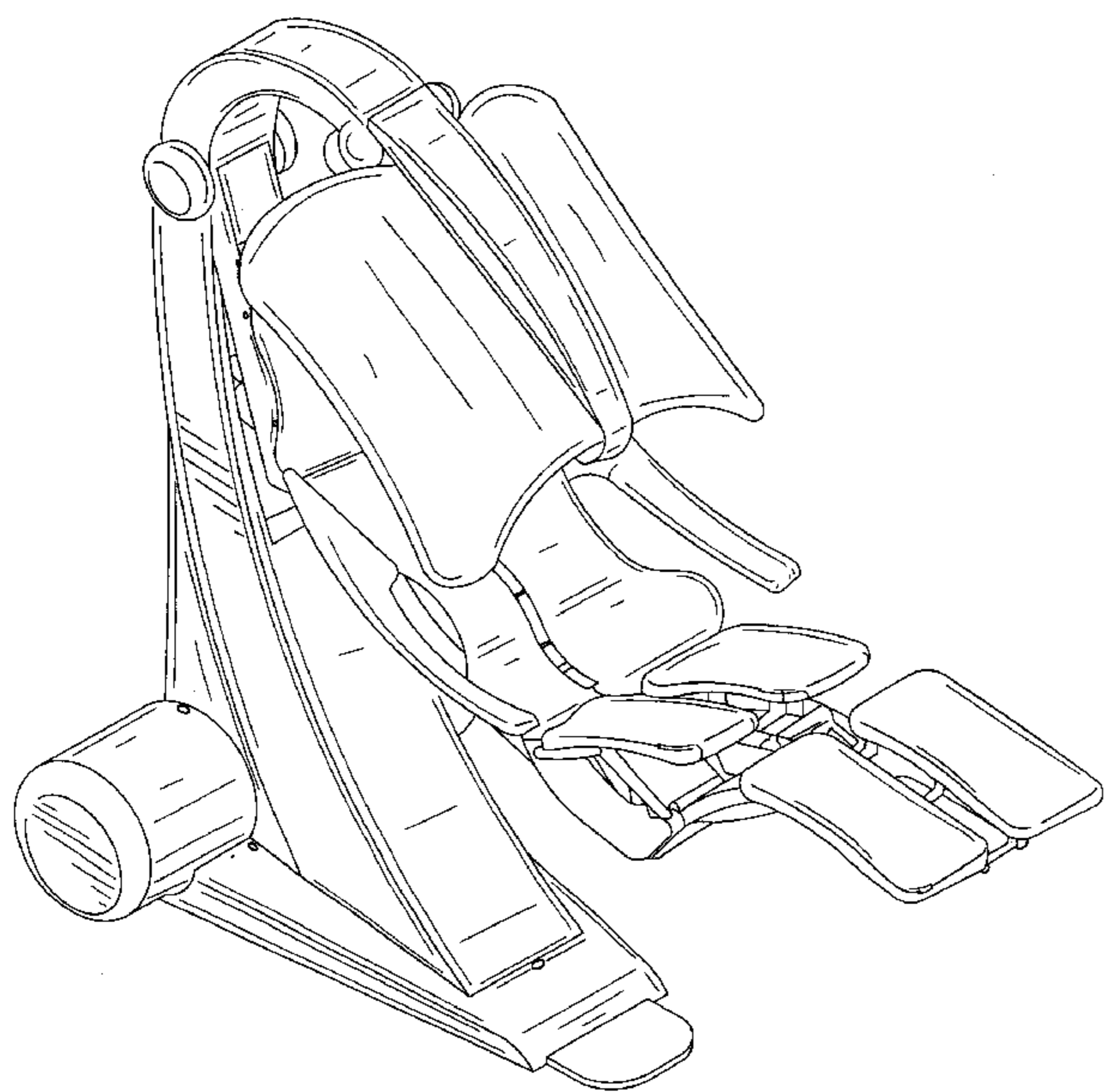
FIG. 11 is a front elevational view of the apparatus of FIG. 8;

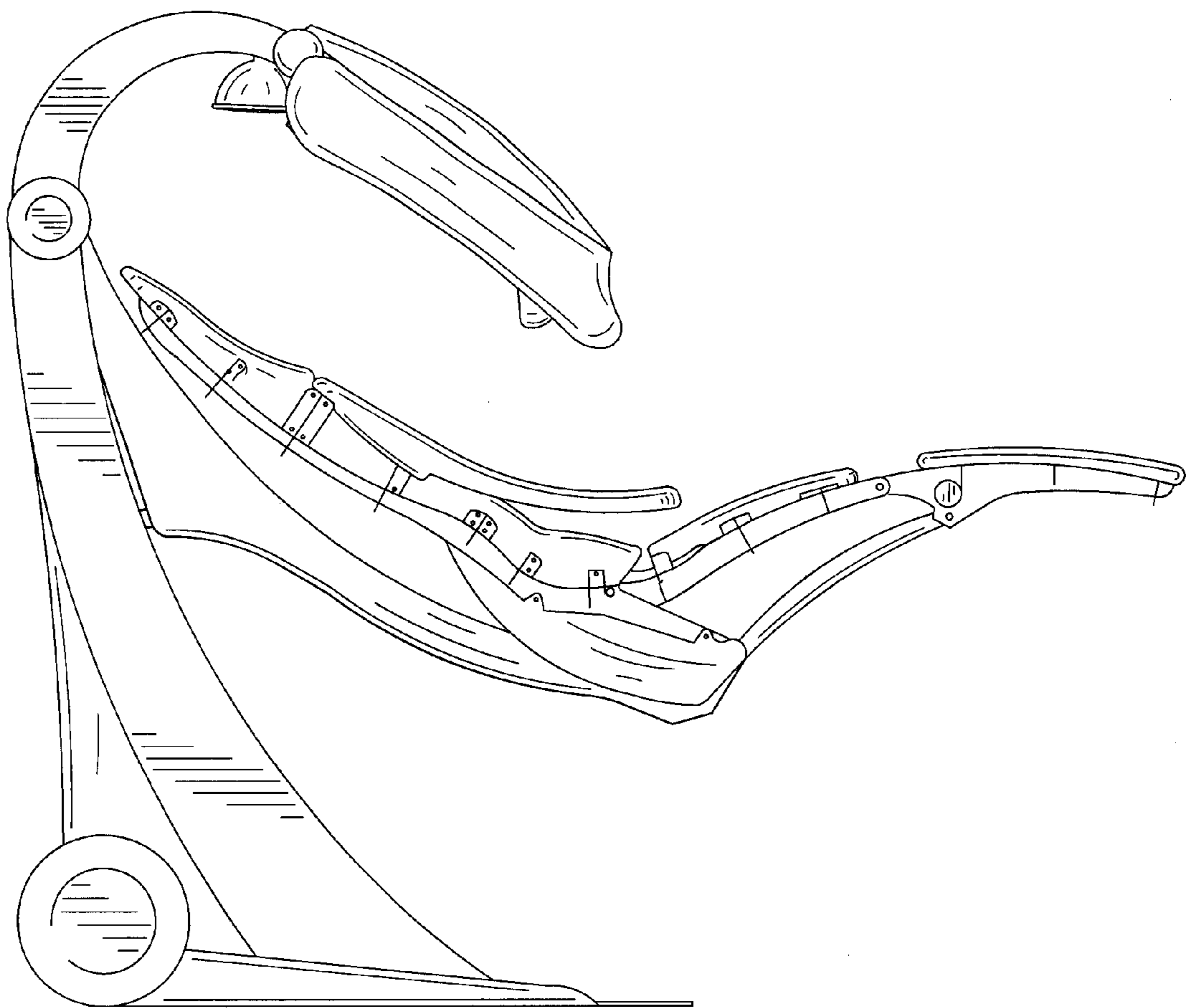
FIG. 12 is a top plan view of the apparatus of FIG. 8;

FIG. 13 is a rear perspective view thereof; and,

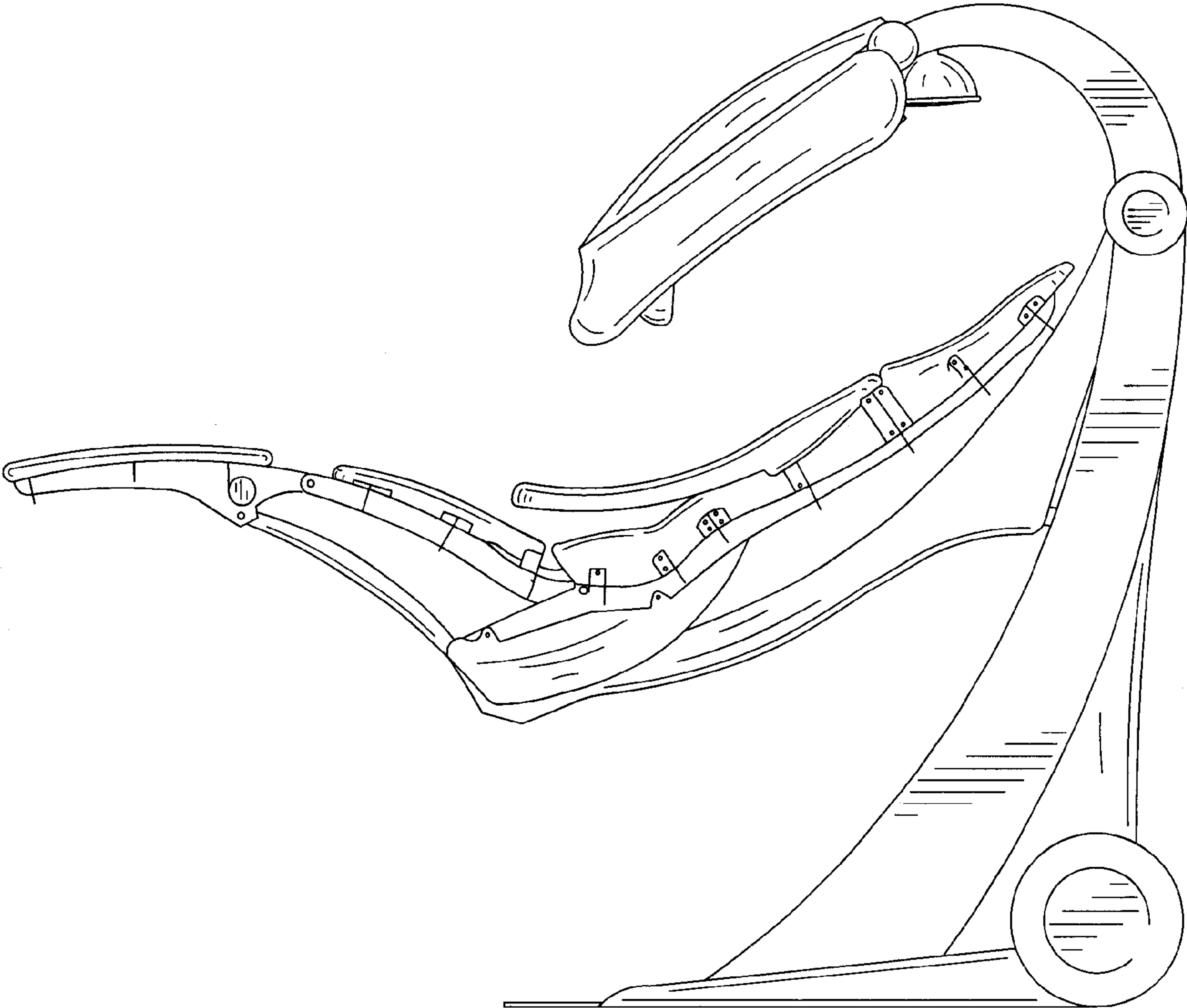
FIG. 14 is a front perspective view thereof.

**1 Claim, 12 Drawing Sheets**

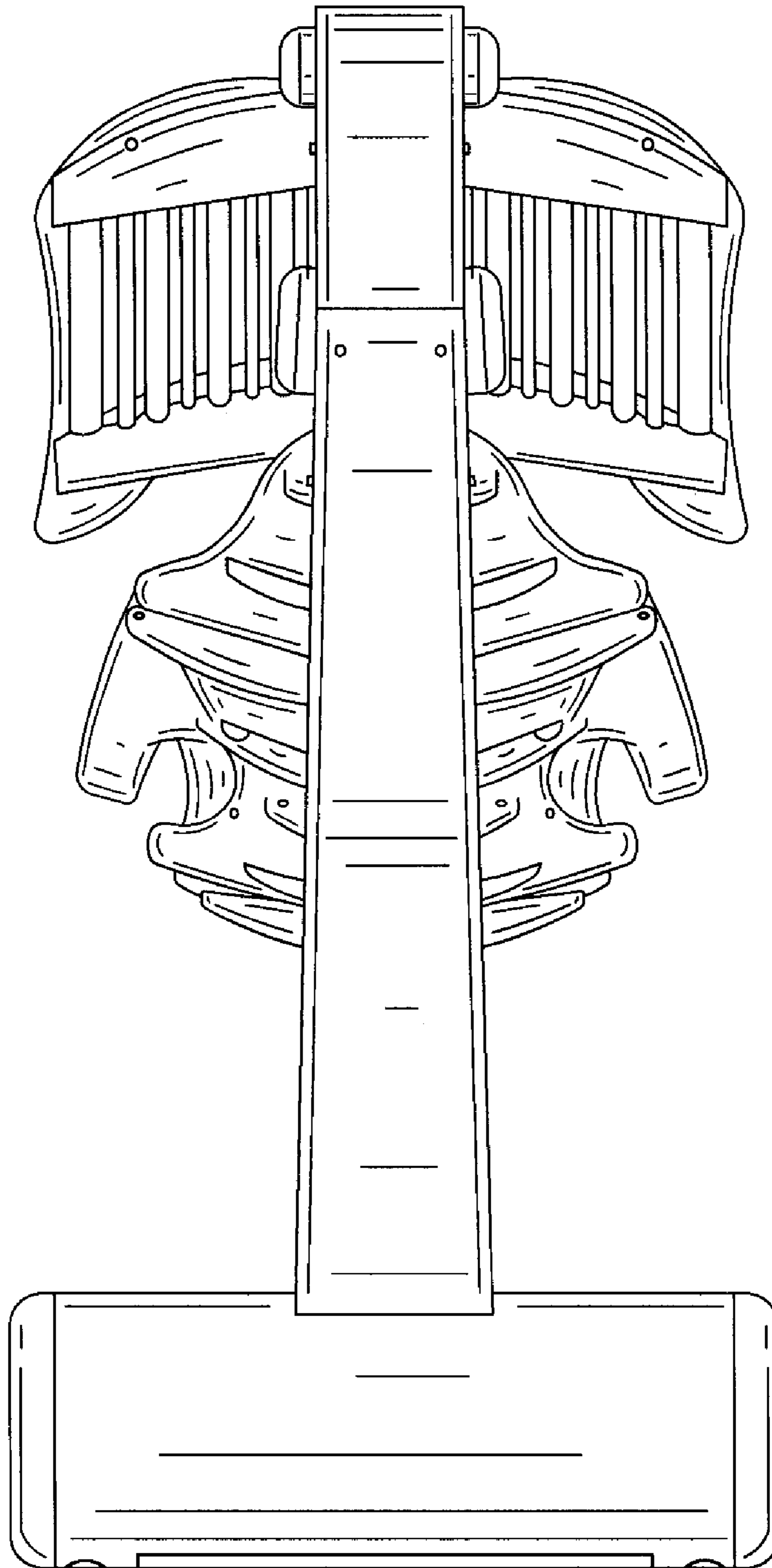




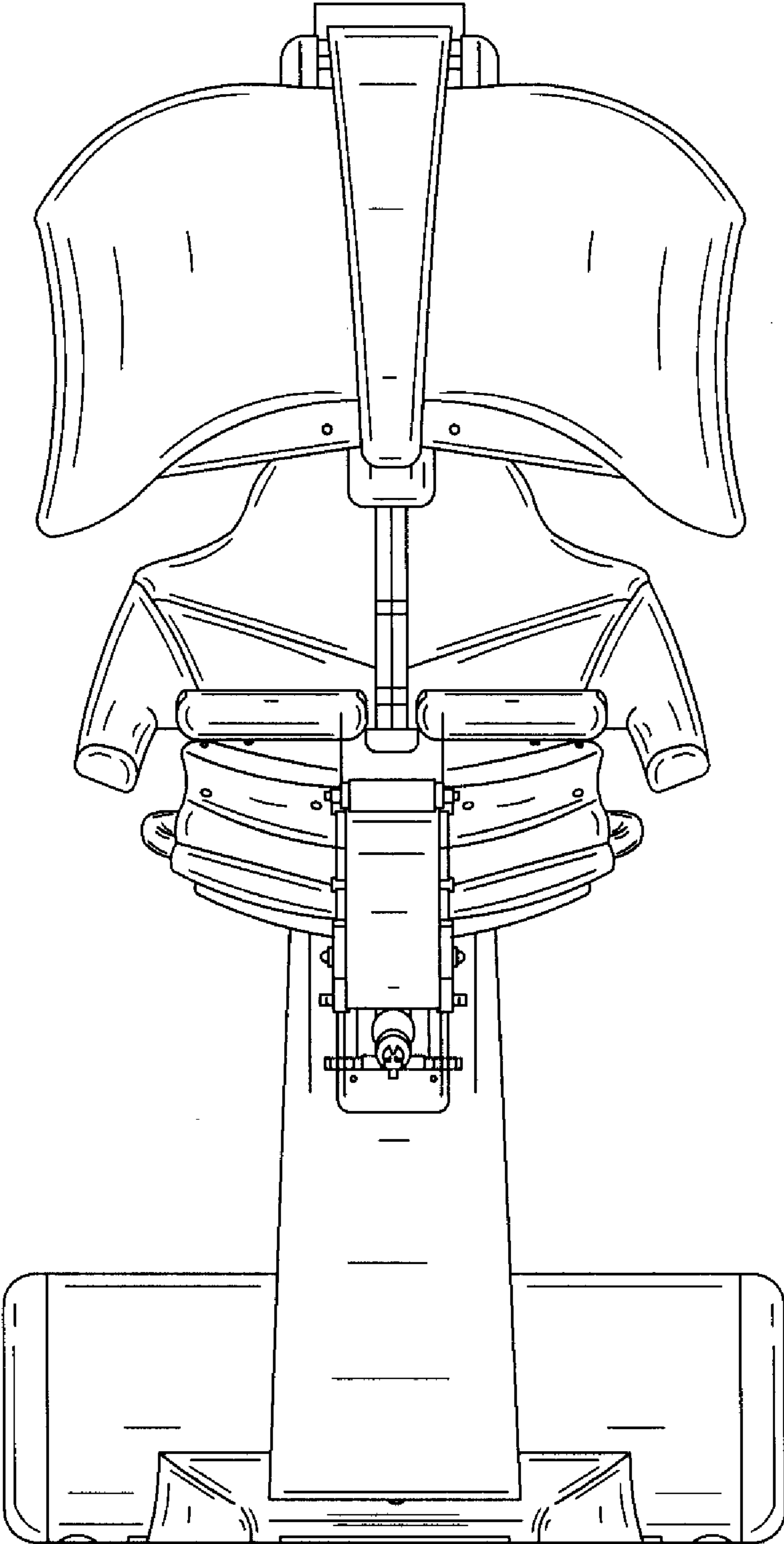
**FIG. 1**



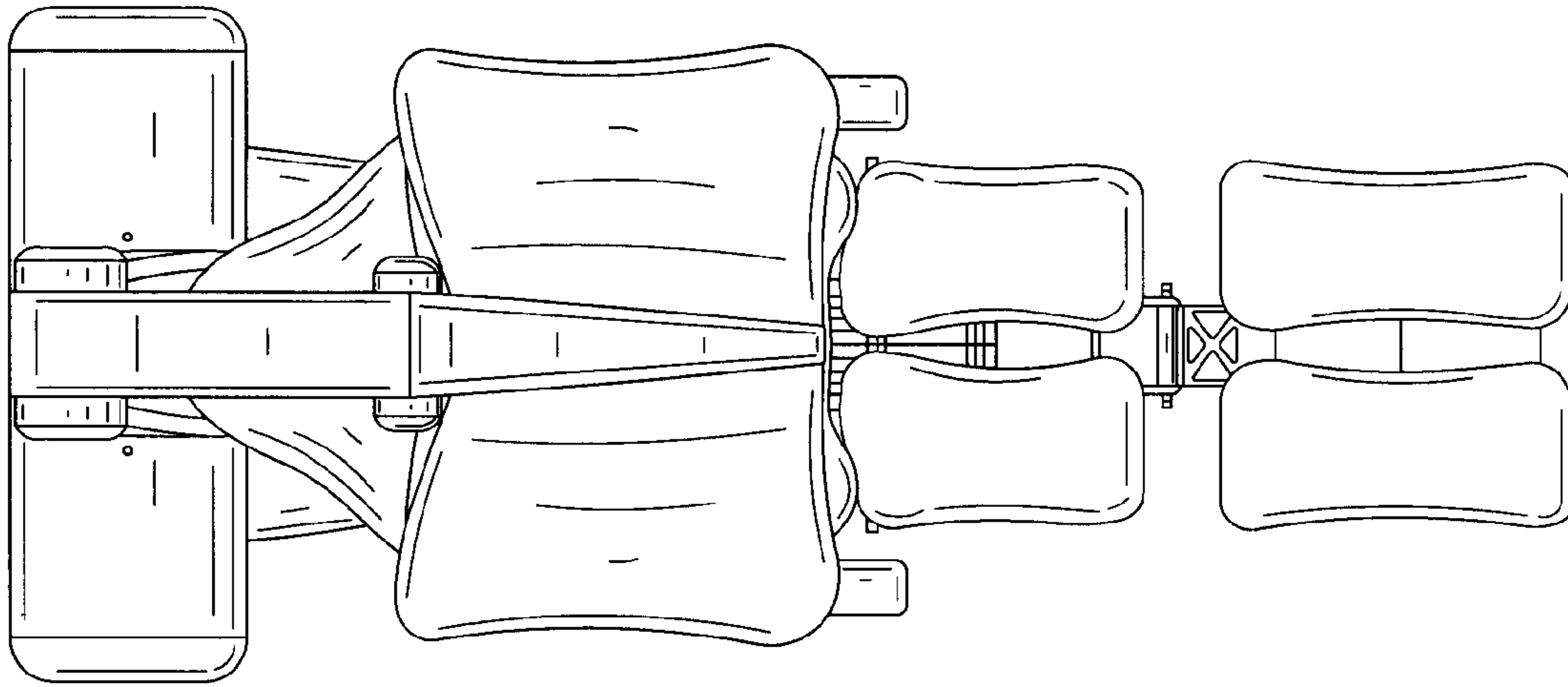
**FIG. 2**



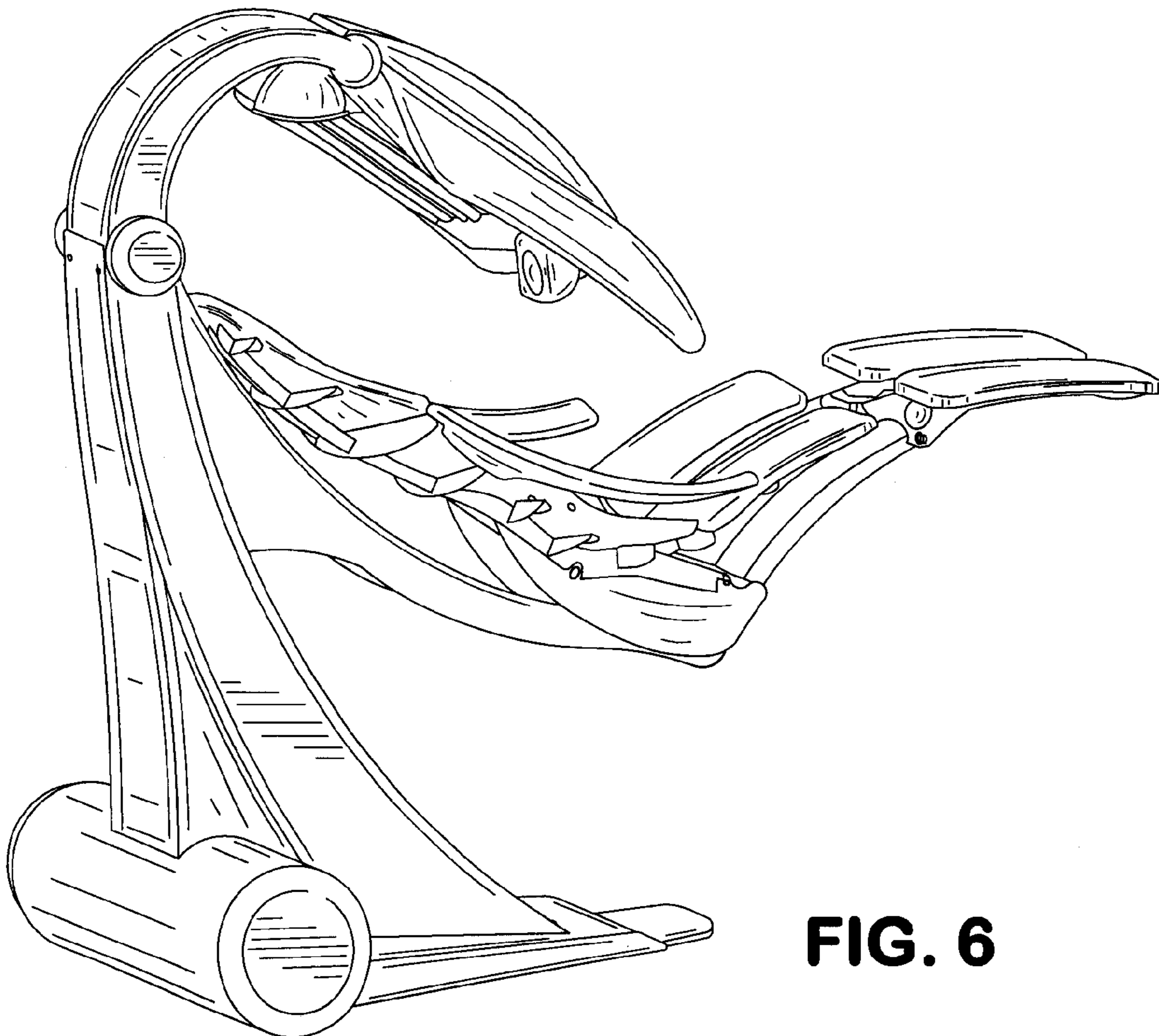
**FIG. 3**



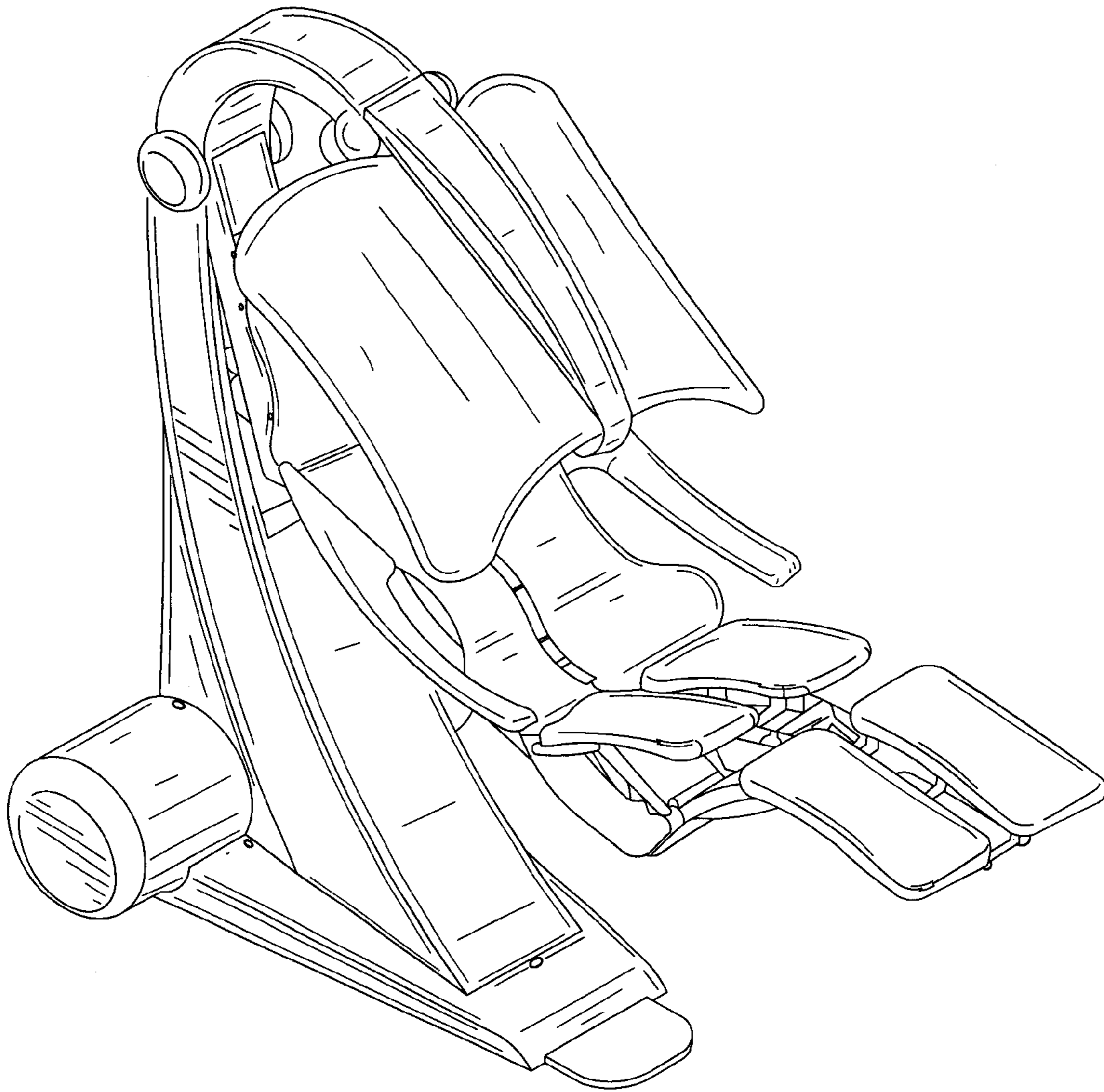
**FIG. 4**



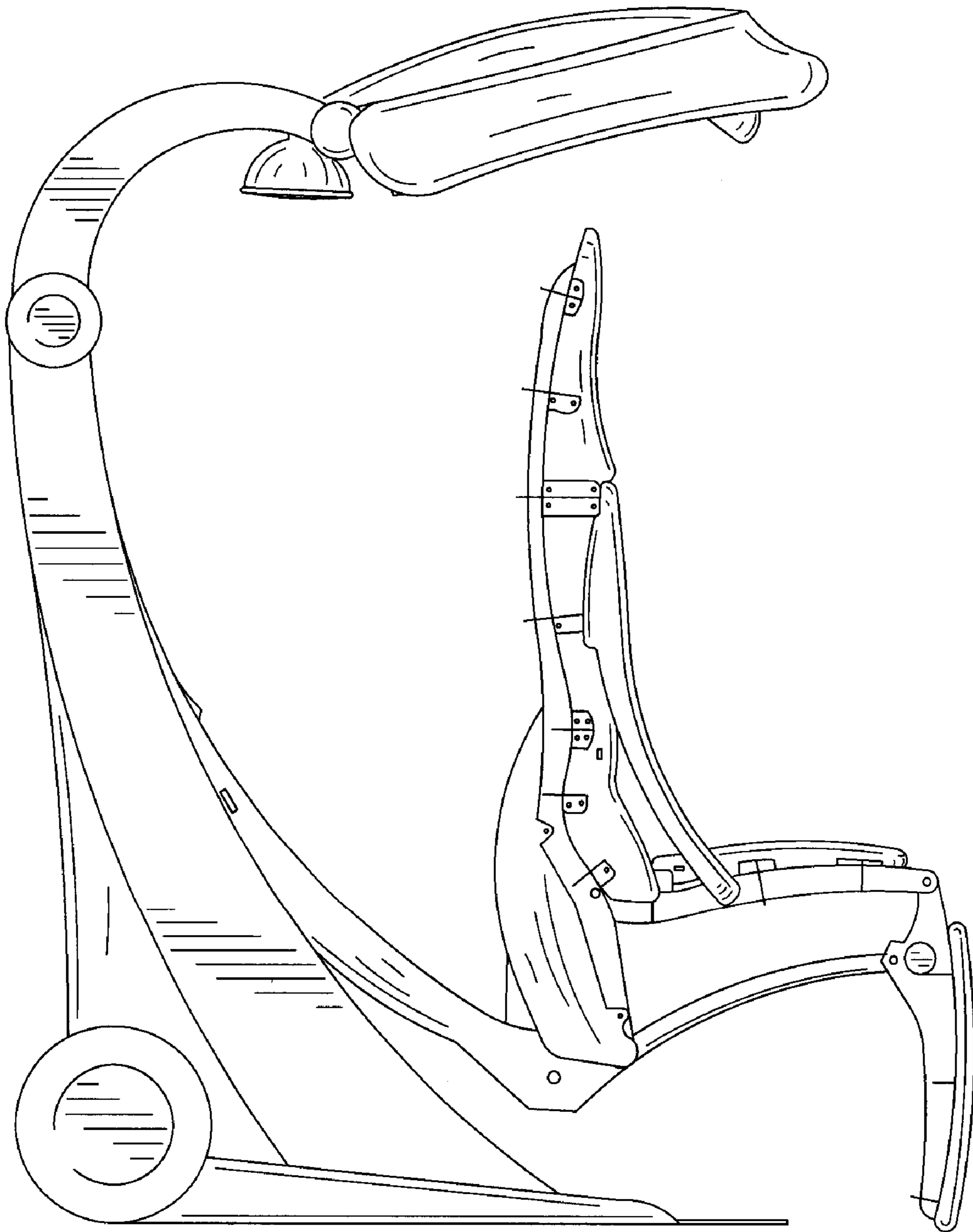
**FIG. 5**



**FIG. 6**

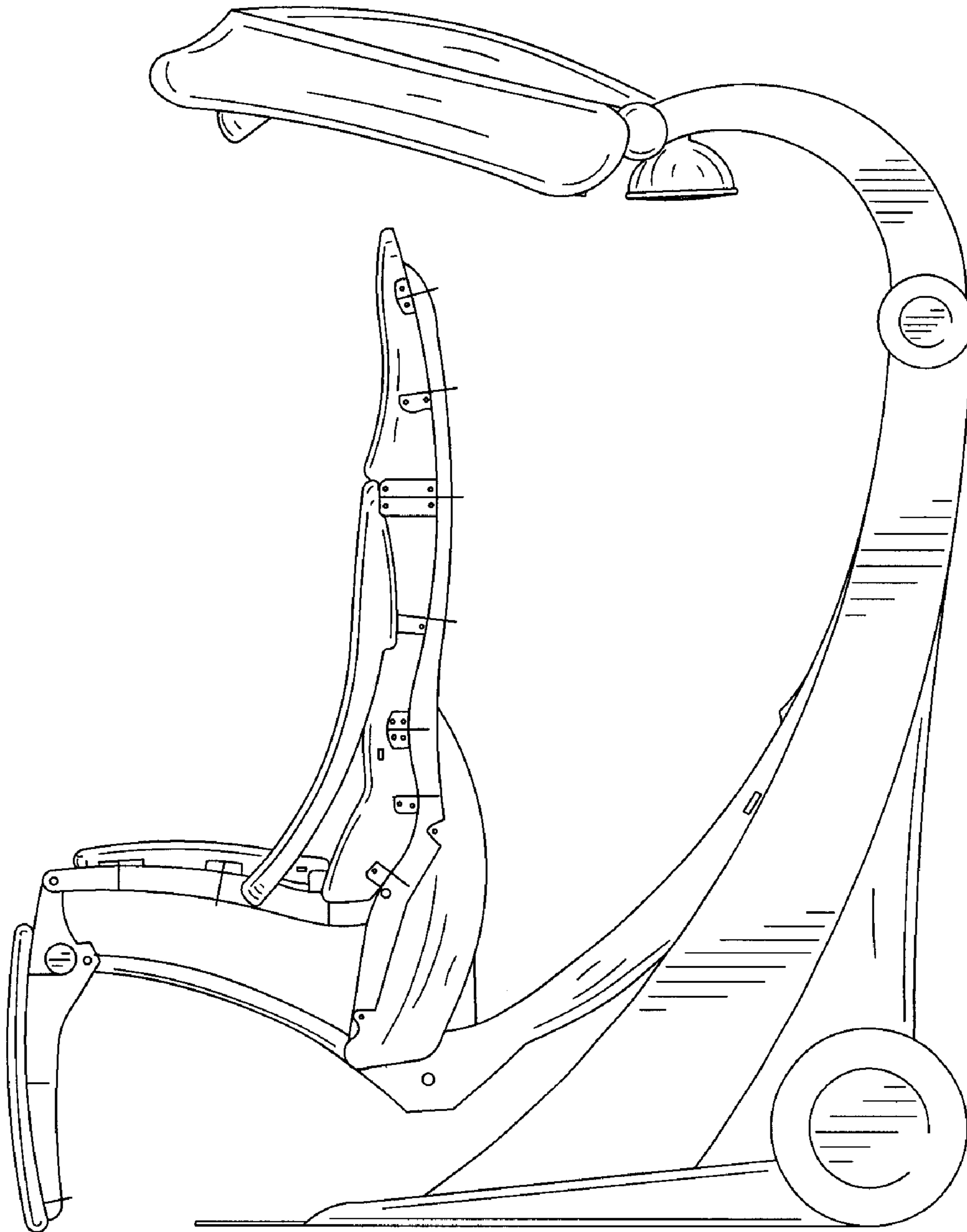


**FIG. 7**

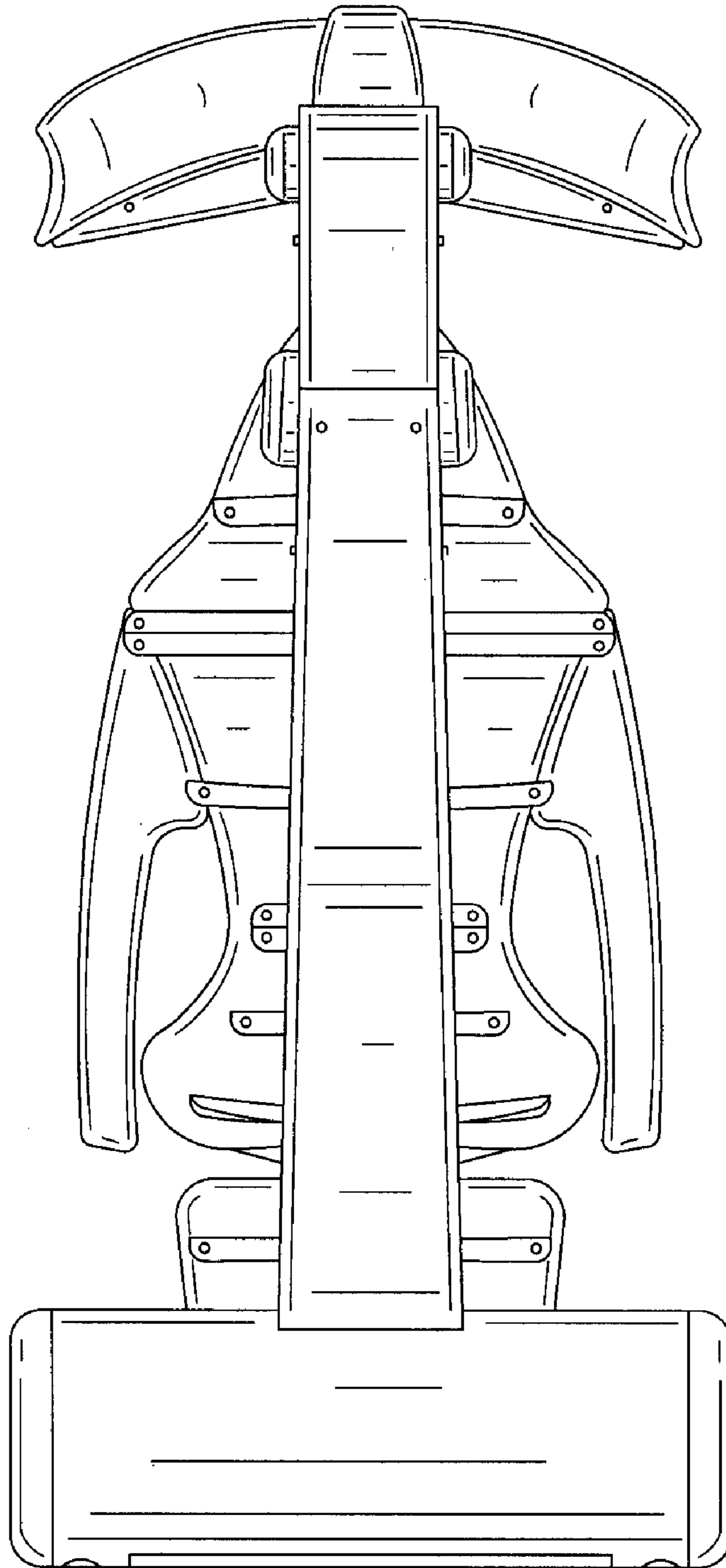


**FIG. 8**

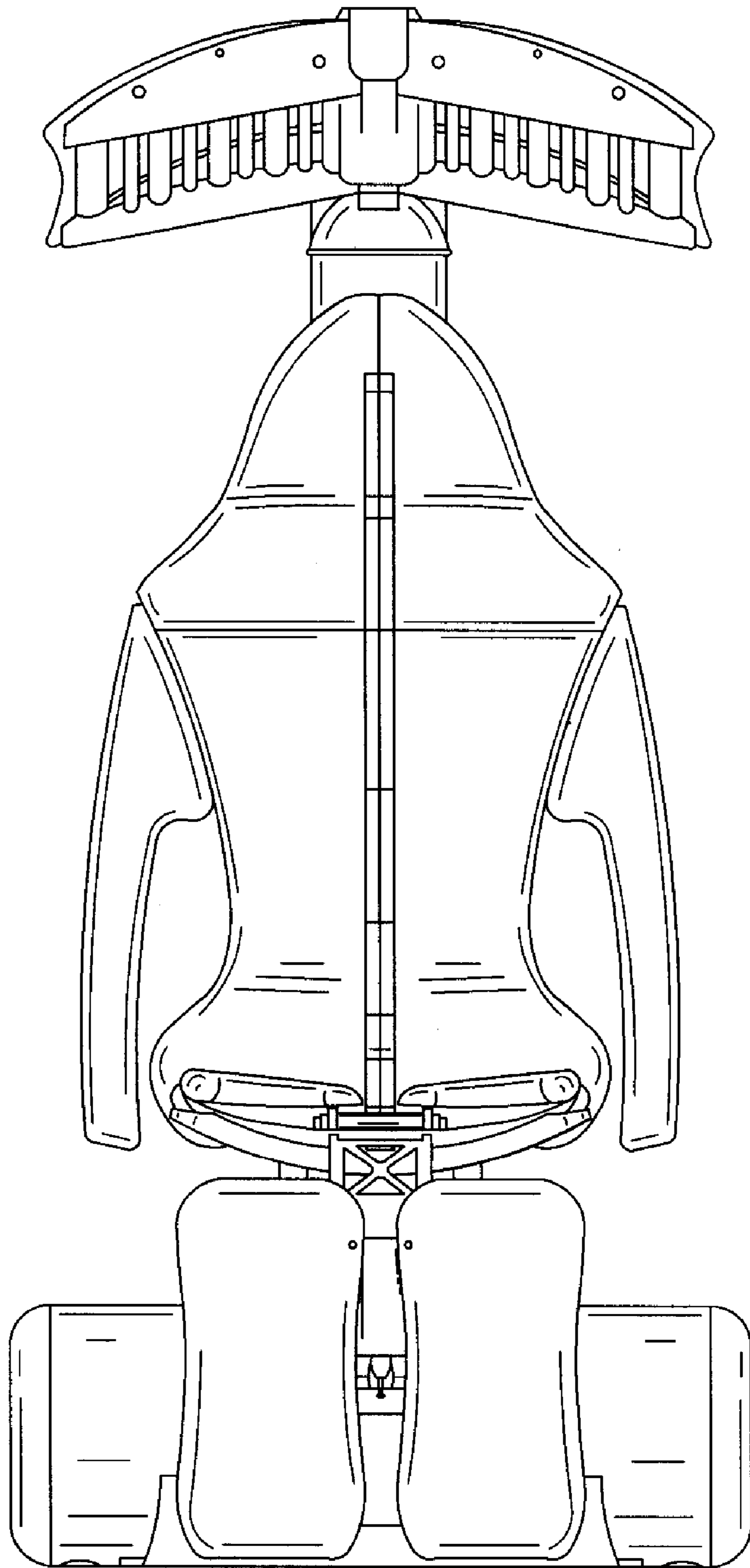




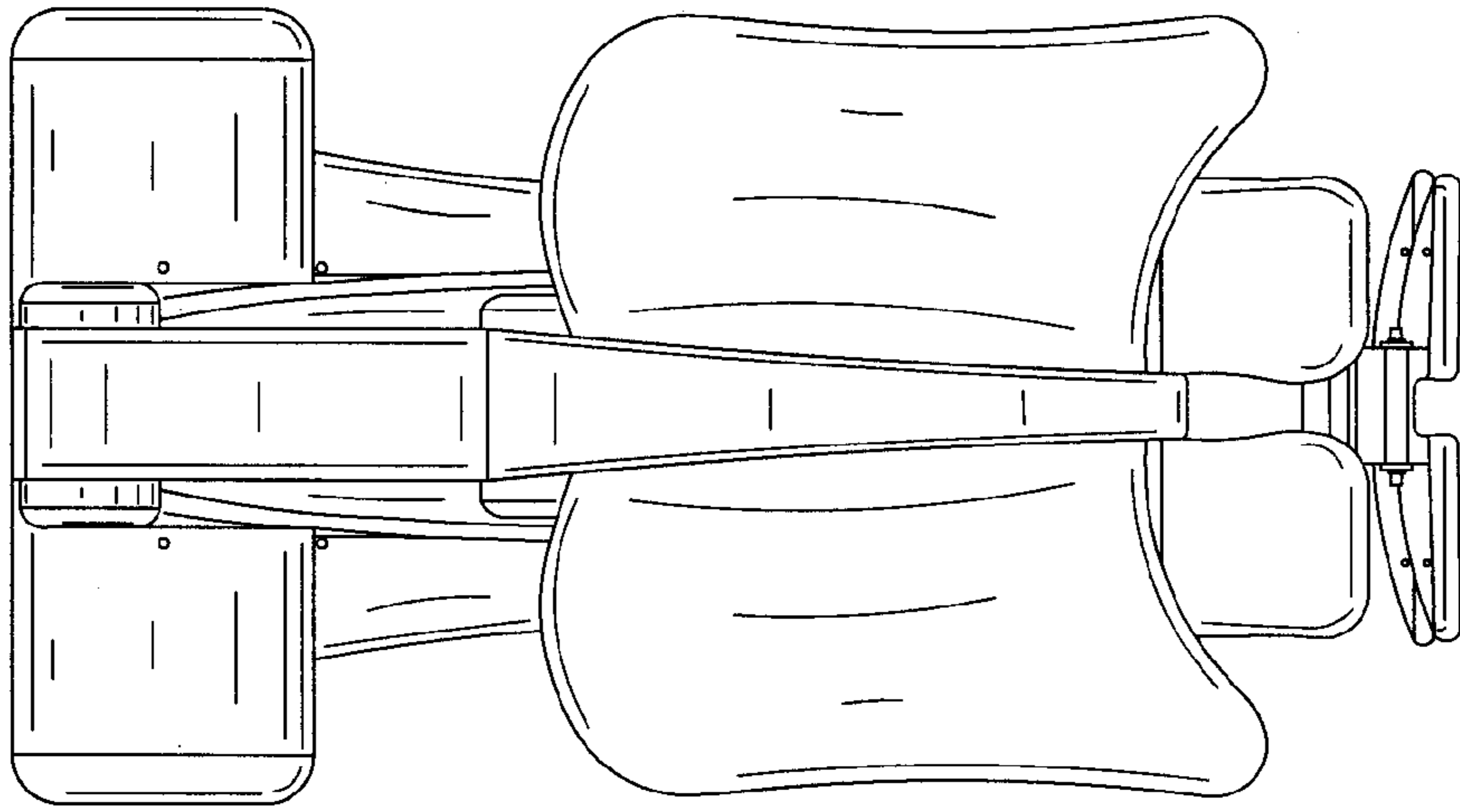
**FIG. 9**



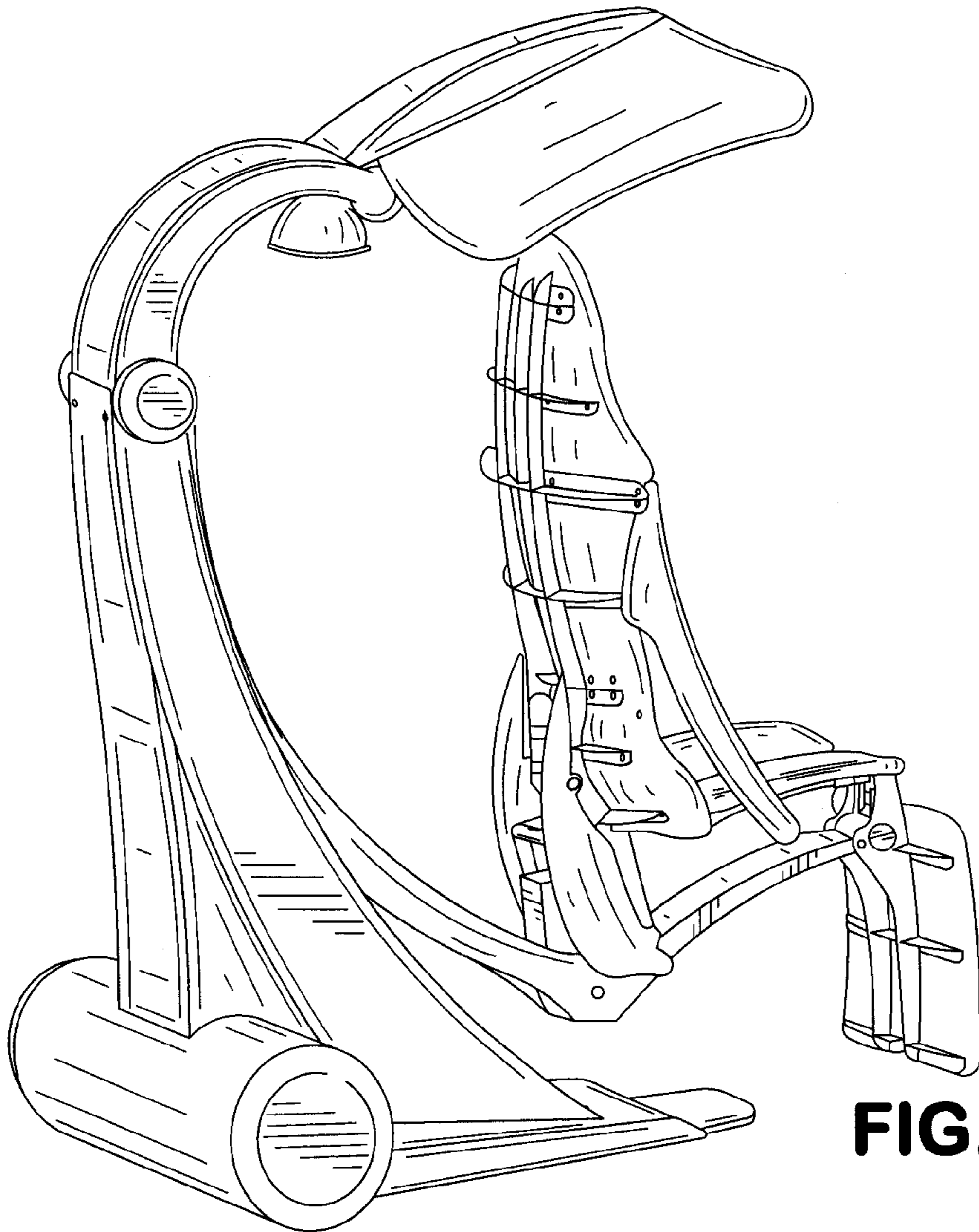
**FIG. 10**



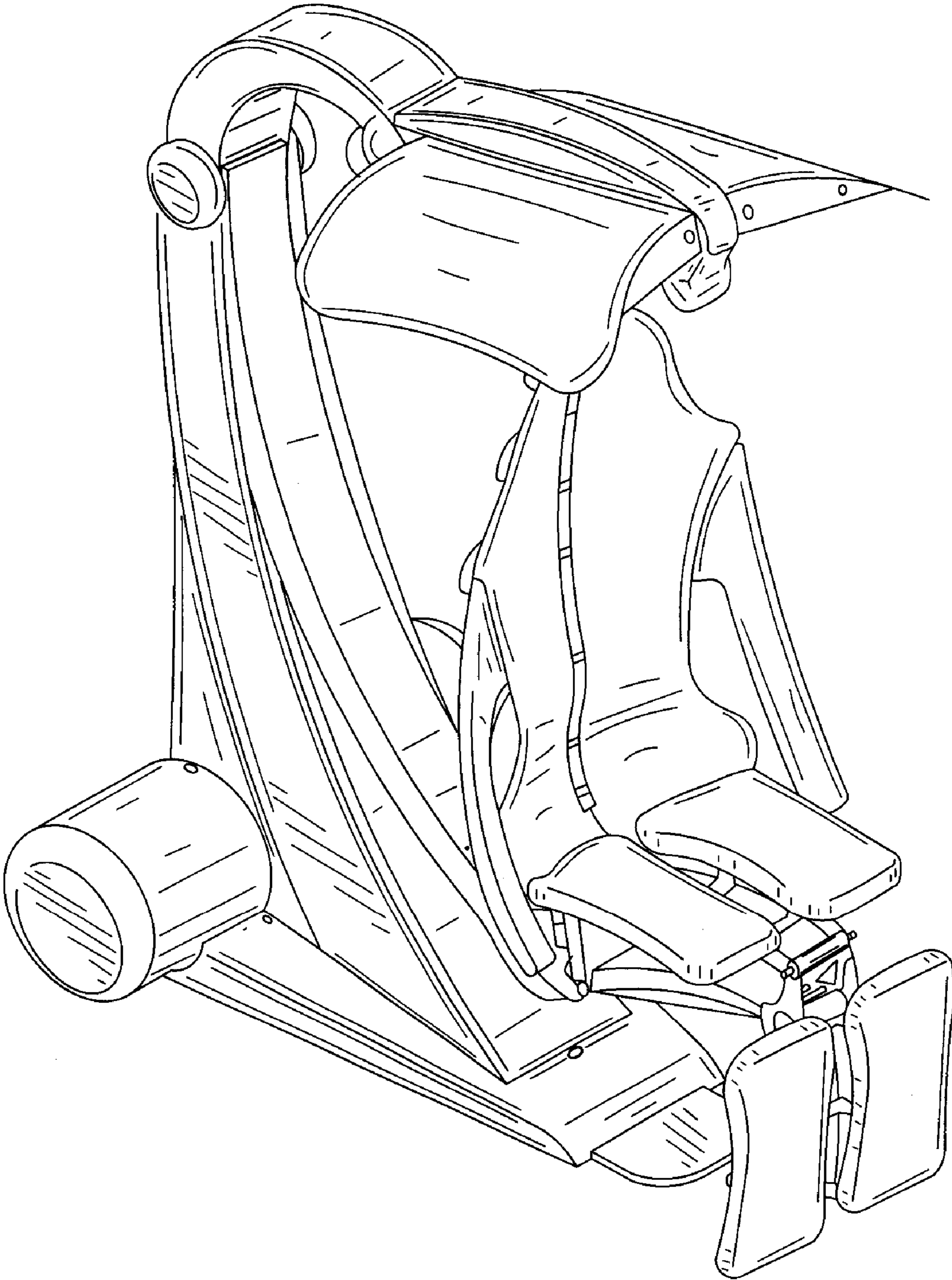
**FIG. 11**



**FIG. 12**



**FIG. 13**



**FIG. 14**