



US00D519632S

(12) **United States Design Patent**  
**Bayron et al.**

(10) **Patent No.:** **US D519,632 S**

(45) **Date of Patent:** **\*\* Apr. 25, 2006**

(54) **RESPIRATORY VALVE**

6,209,539 B1 \* 4/2001 Loescher et al. .... 128/204.18  
6,729,326 B1 \* 5/2004 Winterton et al. .... 128/207.16

(76) Inventors: **Harry Bayron**, 5 Milestone Way, West Palm Beach, FL (US) 33415; **Neil Winthrop**, 135 Sevilla Ave., Royal Palm Beach, FL (US) 33411

\* cited by examiner

*Primary Examiner*—Ian Simmons

(74) *Attorney, Agent, or Firm*—McHale & Slavin, P.A.

(\*\*) Term: **14 Years**

(57) **CLAIM**

The ornamental design for a respiratory valve, as shown and described.

(21) Appl. No.: **29/199,141**

(22) Filed: **Feb. 9, 2004**

**DESCRIPTION**

(51) **LOC (8) Cl.** ..... **29-02**

(52) **U.S. Cl.** ..... **D24/110.6; D24/129; D24/164**

(58) **Field of Classification Search** ..... D24/110.6, D24/164, 110, 129; D23/235, 259; D10/96; 128/207.16, 204.18, 205.11, 205.24, 912, 128/204.17; 604/284, 540, 533

See application file for complete search history.

FIG. 1 is a perspective view of the respiratory valve of the invention;

FIG. 2 is a rear elevation view of the respiratory valve of FIG. 1;

FIG. 3 is a front elevation view of the respiratory valve of FIG. 1;

FIG. 4 is a left side view of the respiratory valve of FIG. 1;

FIG. 5 is a right side view of the respiratory valve of FIG. 1;

FIG. 6 is a top plan view of the respiratory valve of FIG. 1; and,

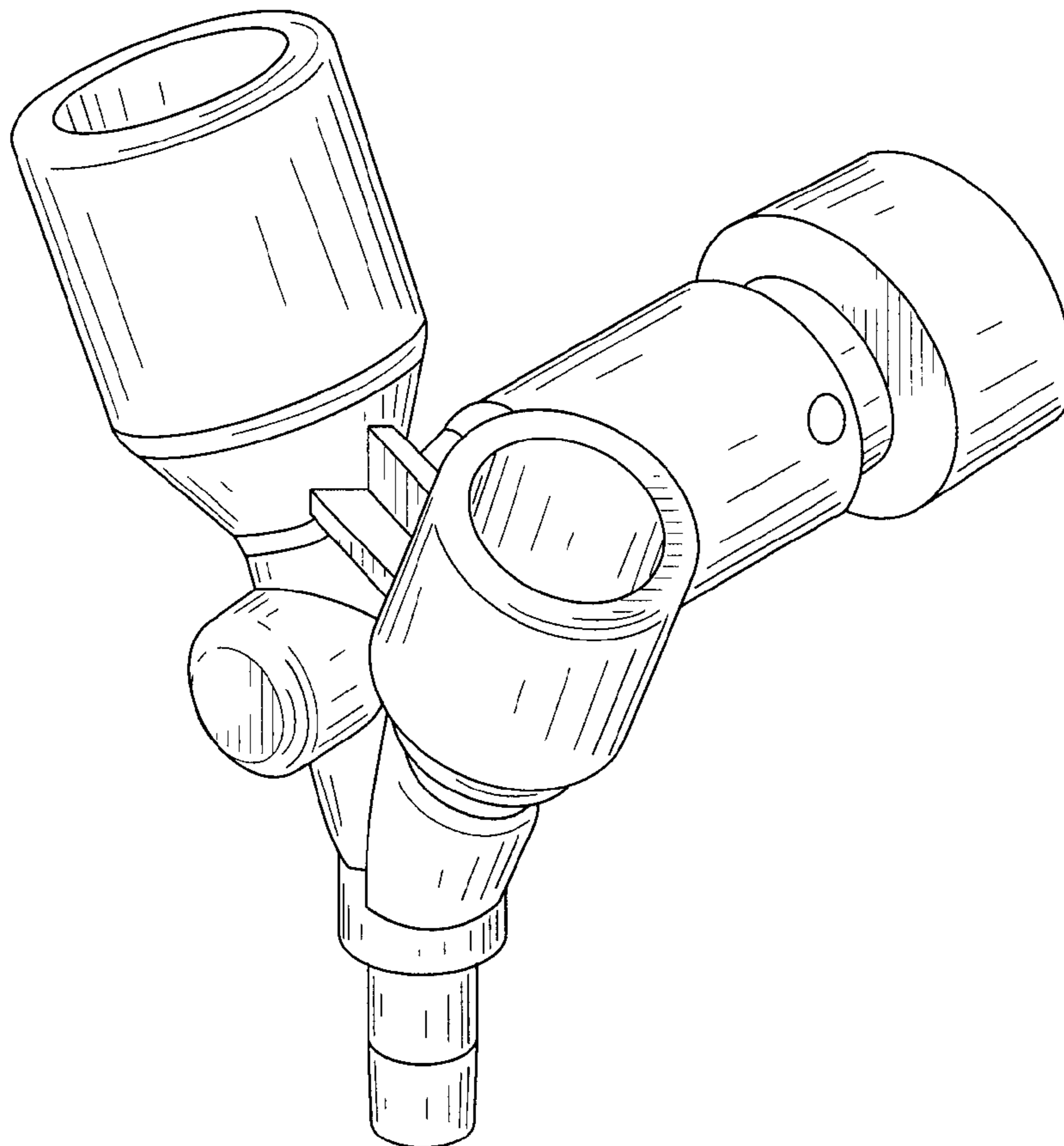
FIG. 7 is a bottom plan view of the respiratory valve of FIG. 1.

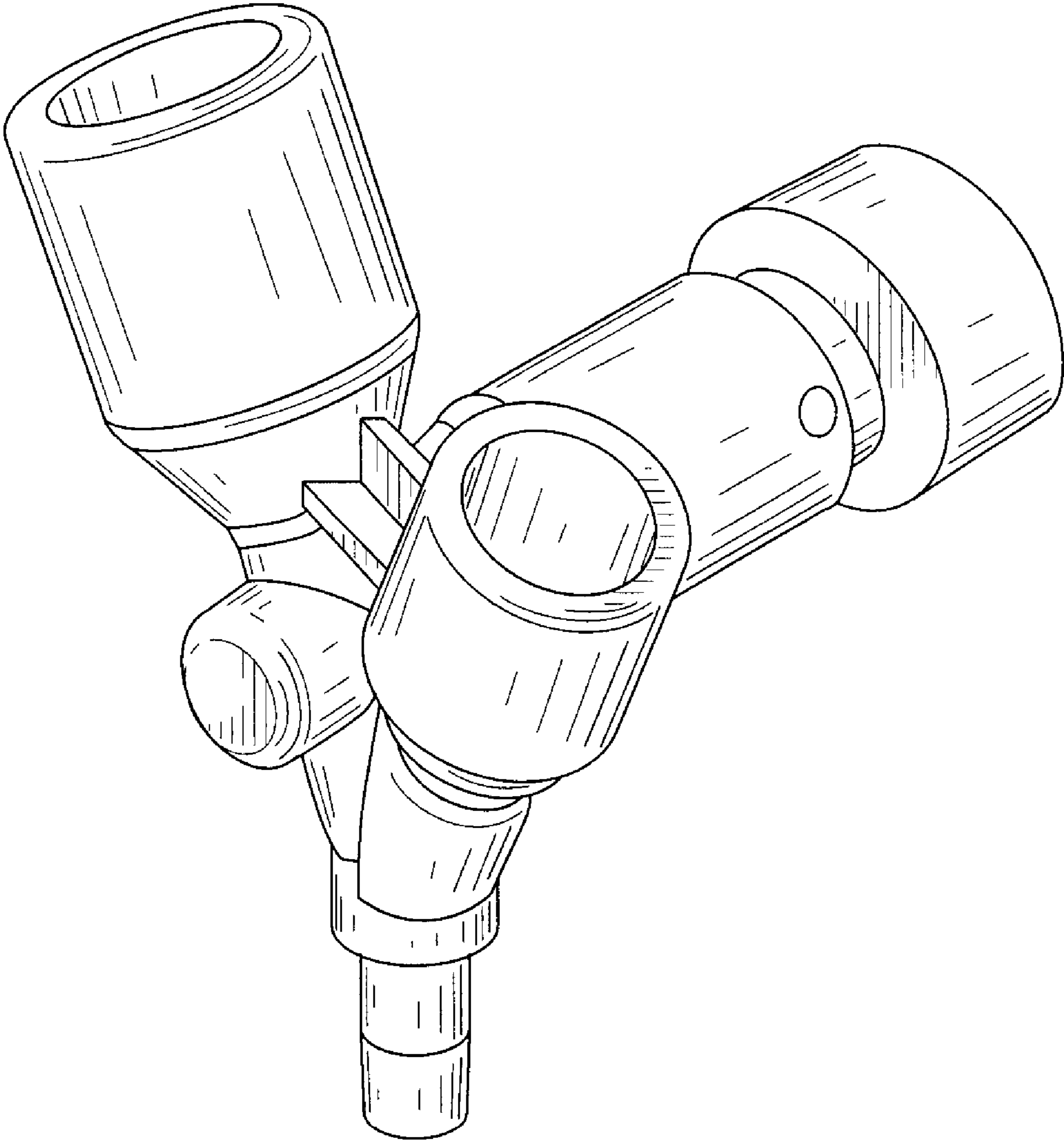
(56) **References Cited**

**U.S. PATENT DOCUMENTS**

D300,273 S	*	3/1989	Rudolph et al.	.....	D24/110.6
5,490,503 A	*	2/1996	Hollister	.....	128/207.16
D389,571 S	*	1/1998	Duplessé	.....	D24/110.6
5,919,174 A	*	7/1999	Hanson	.....	604/533

**1 Claim, 4 Drawing Sheets**





**FIG. 1**

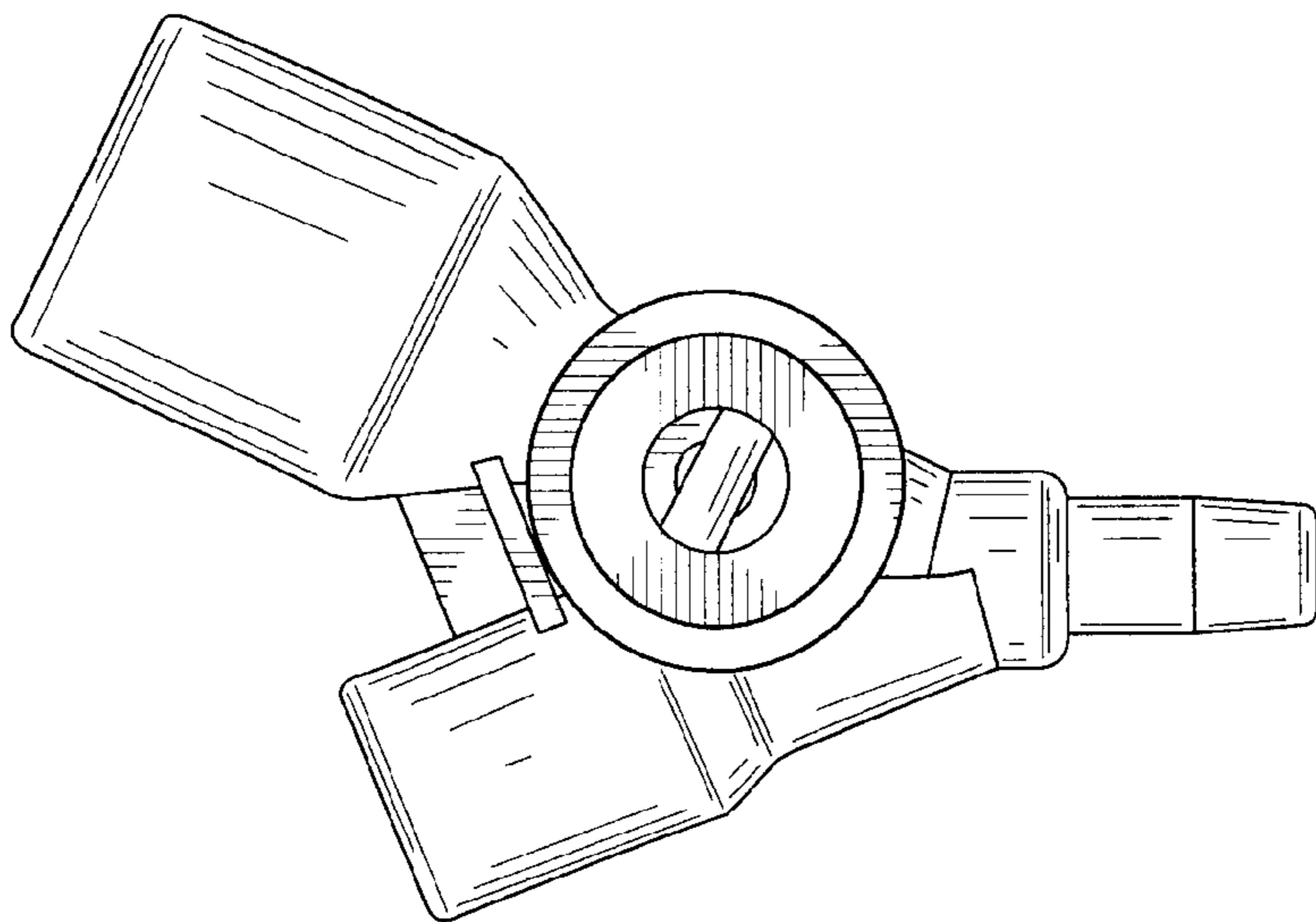


FIG. 3

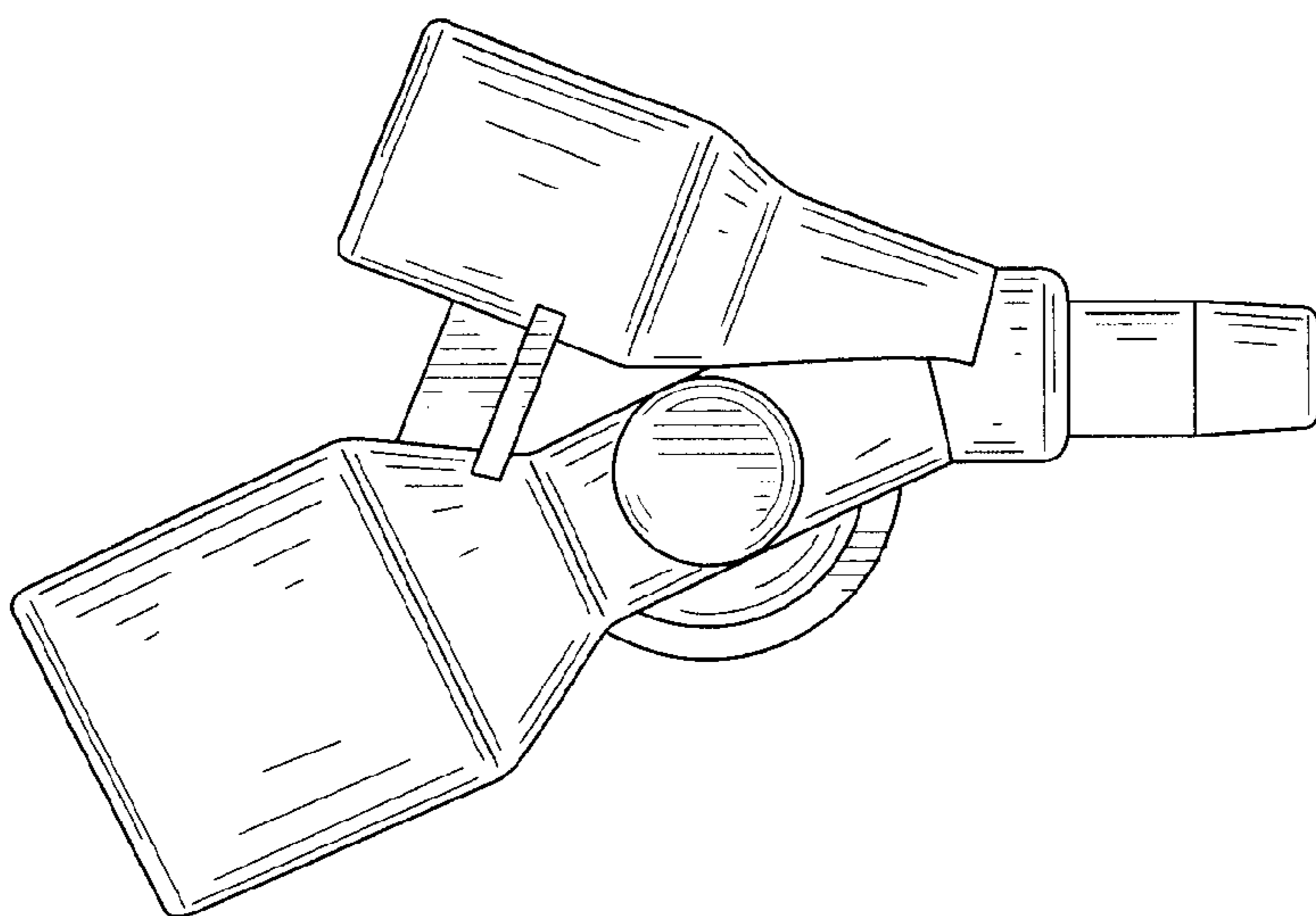


FIG. 2

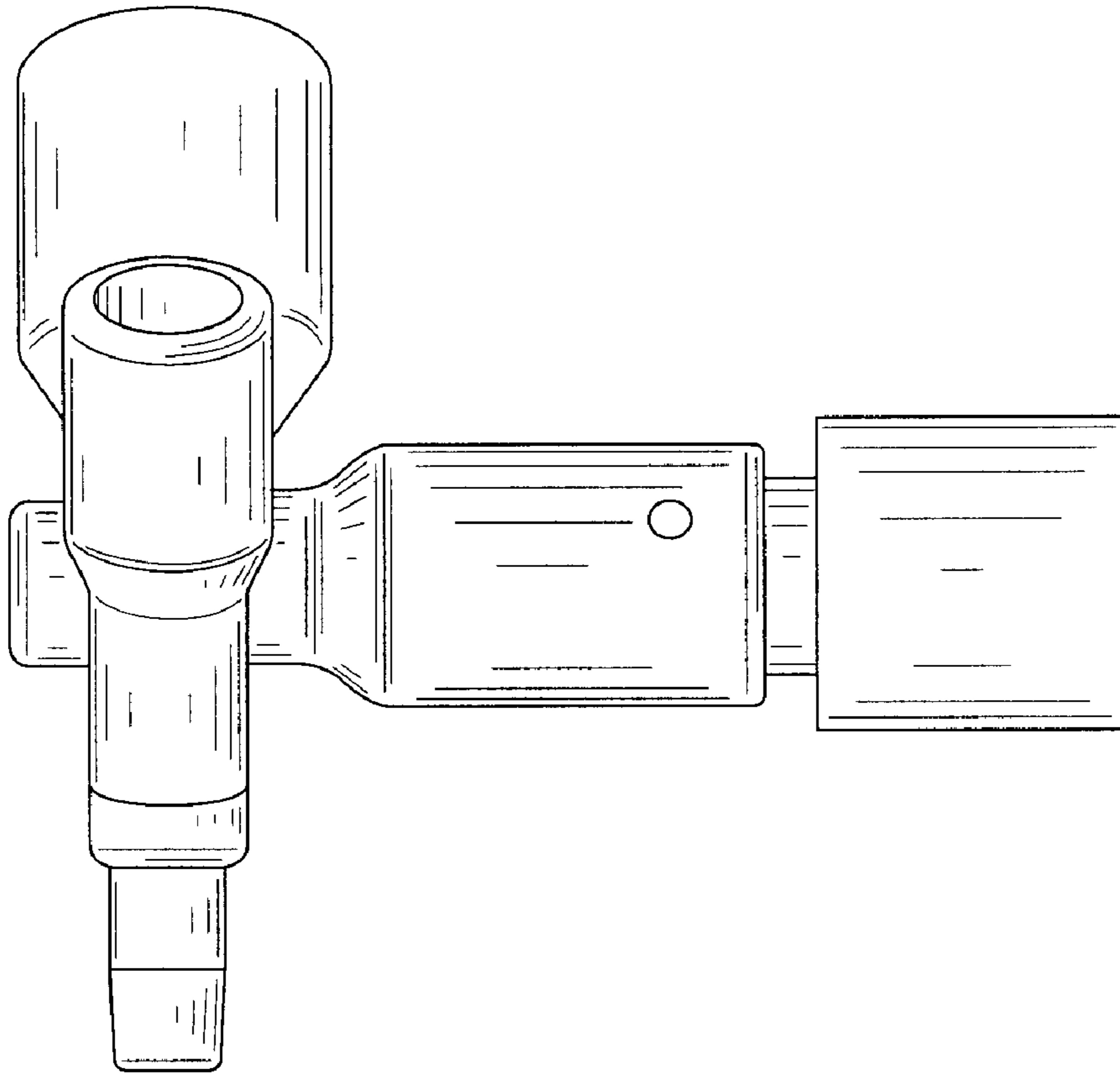


FIG. 5

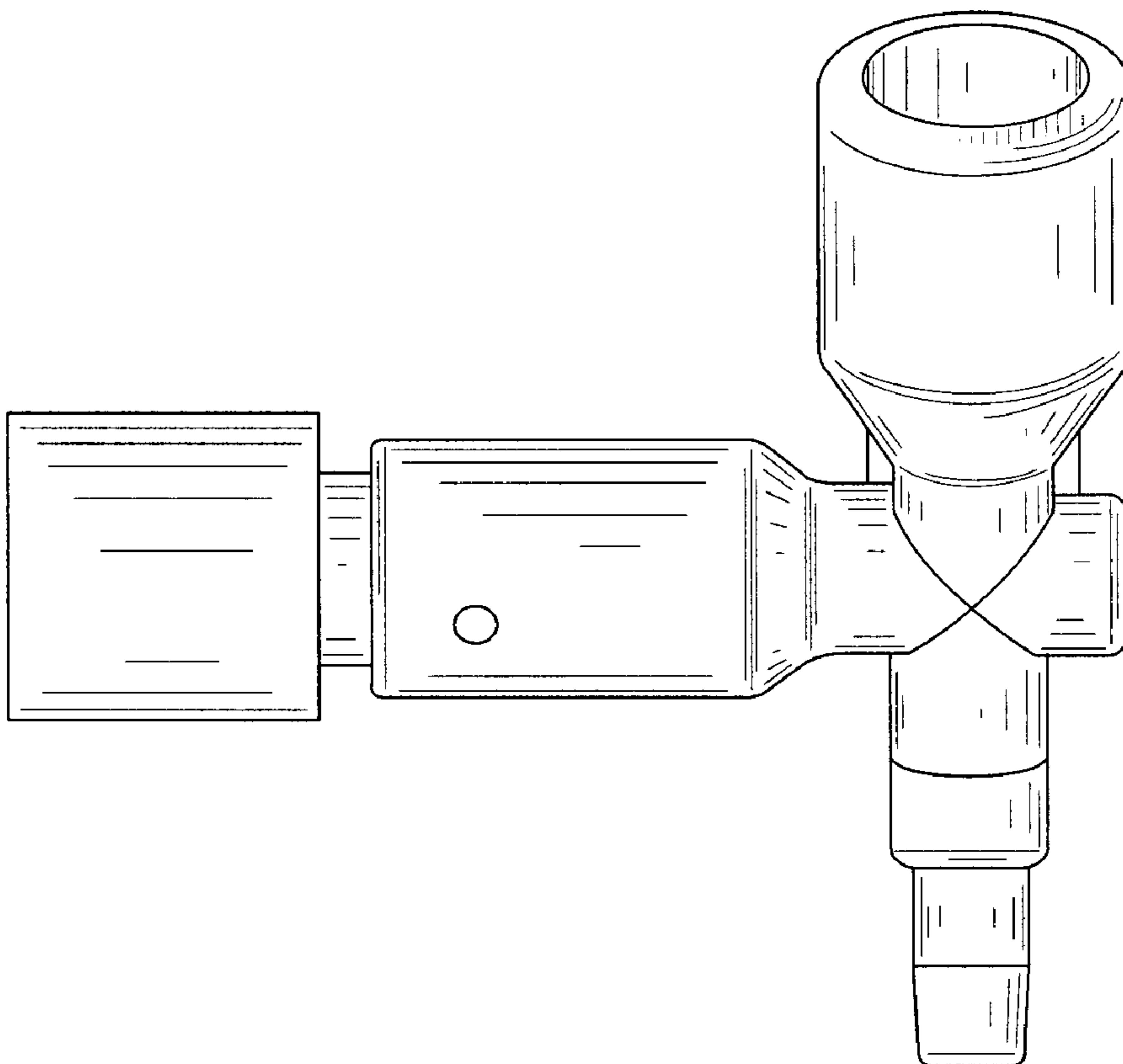


FIG. 4

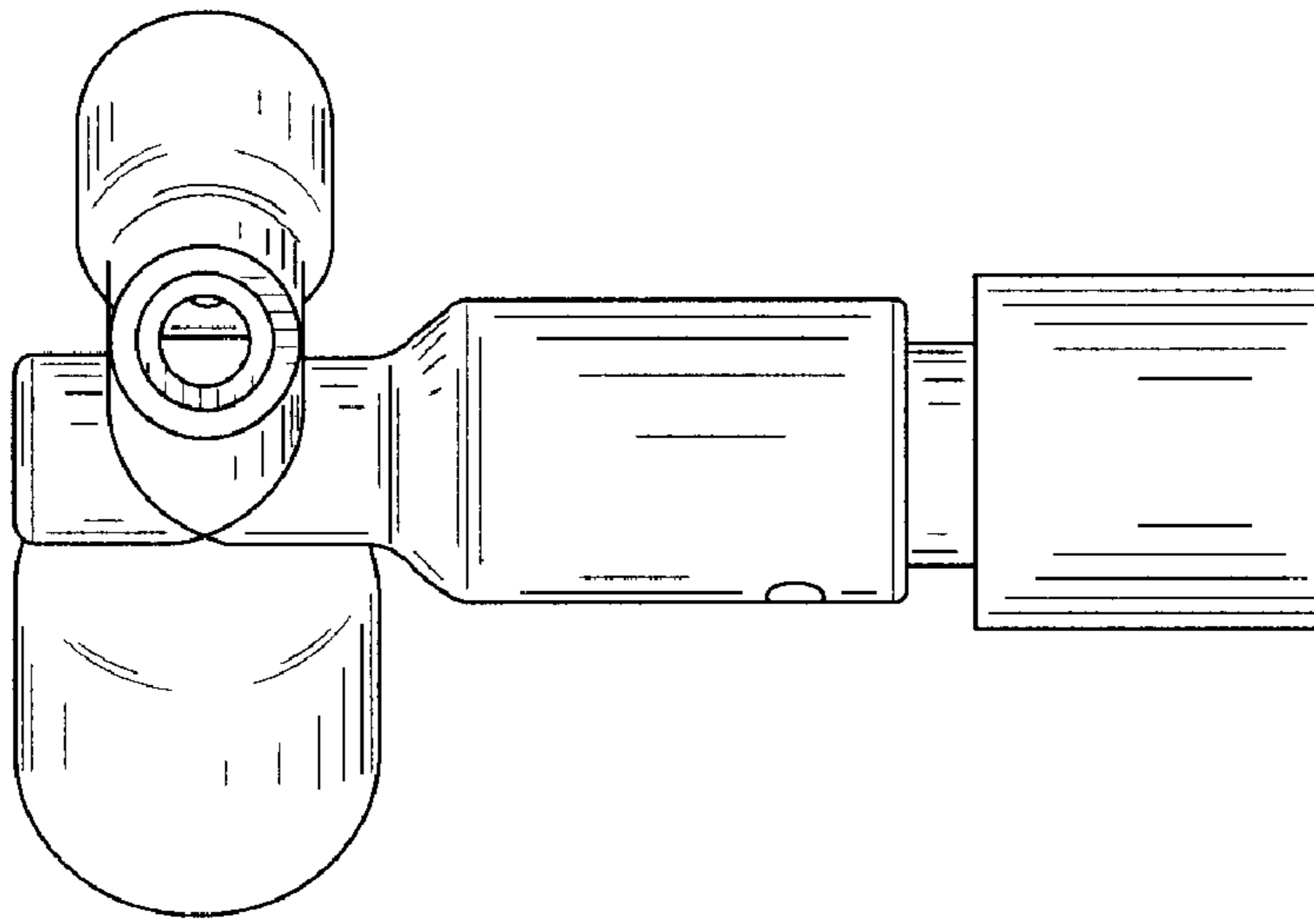


FIG. 7

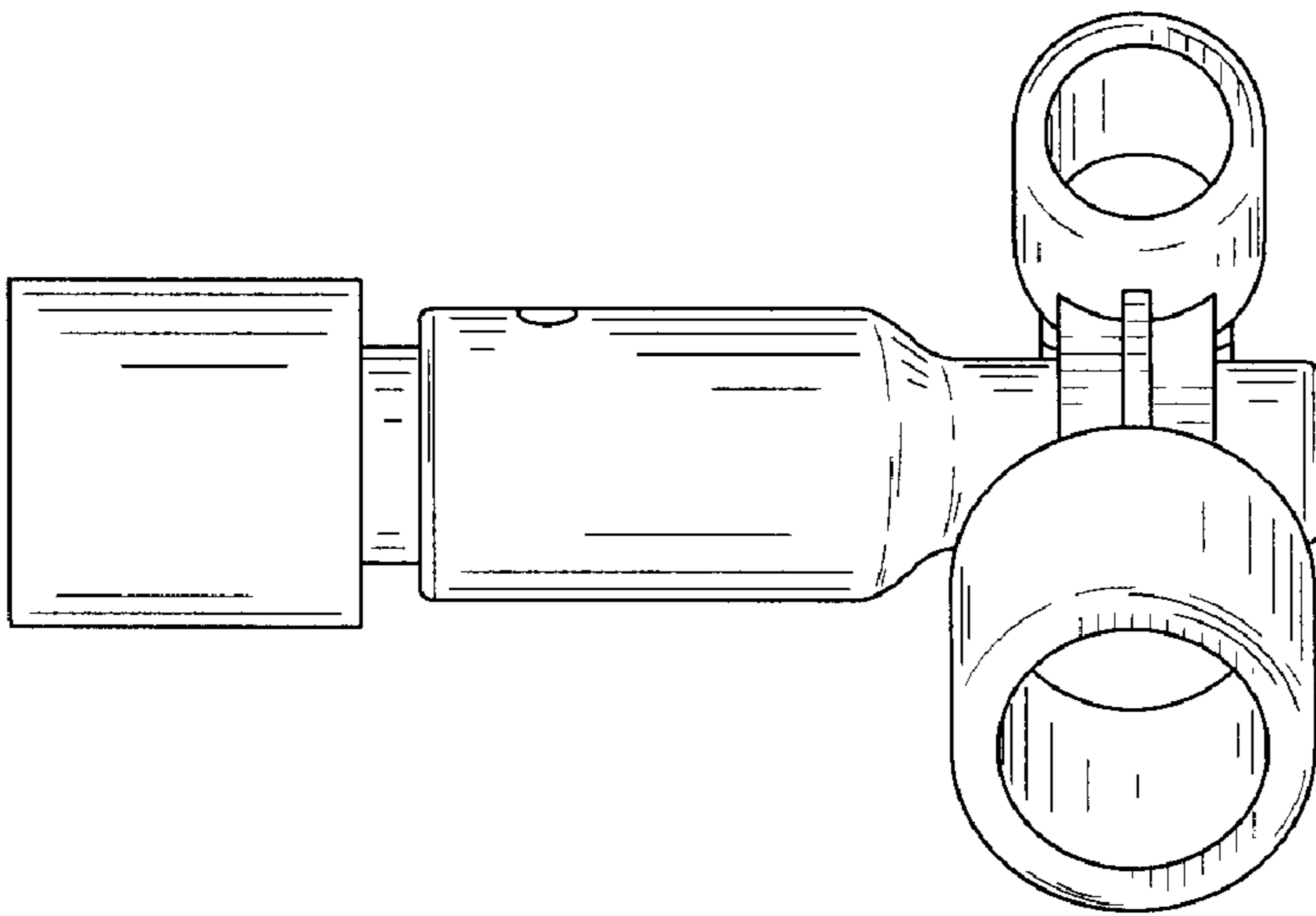


FIG. 6