



US00D519630S

(12) **United States Design Patent**
Pearson, Jr. et al.

(10) **Patent No.:** **US D519,630 S**
(45) **Date of Patent:** **** Apr. 25, 2006**

(54) **PERSONAL FILTRATION DEVICE**

(75) Inventors: **Alfred E. Pearson, Jr.**, Castle Rock, CO (US); **Jeffrey T. Samson**, Boulder, CO (US)

(73) Assignee: **Breathe Safe, LLC**, Castle Rock, CO (US)

(**) Term: **14 Years**

(21) Appl. No.: **29/208,551**

(22) Filed: **Jun. 29, 2004**

(51) **LOC (8) Cl.** **29-02**

(52) **U.S. Cl.** **D24/110; D24/106**

(58) **Field of Classification Search** D24/110, D24/110.1, 135, 164; 128/206.11, 207.13, 128/204.12, 863, 205.29, 205.27, 206.18, 128/206.19, 206.21, 206.28
See application file for complete search history.

(56) **References Cited**

U.S. PATENT DOCUMENTS

701,538 A	6/1902	Carence
3,722,509 A	3/1973	Nebel
3,905,335 A	9/1975	Kapp
4,327,719 A	5/1982	Childers
4,984,302 A	1/1991	Lincoln

5,417,205 A	5/1995	Wang
5,485,836 A	1/1996	Lincoln
5,787,884 A	8/1998	Tovey
5,890,491 A	4/1999	Rimkus
6,119,690 A	9/2000	Pantaleo
D451,193 S	11/2001	McCormick
D461,890 S *	8/2002	Lawrence D24/106
2005/0205095 A1 *	9/2005	Dolezal et al. 128/206.11

* cited by examiner

Primary Examiner—Ian Simmons

(74) *Attorney, Agent, or Firm*—Paul M. Thompson; Cochran Freund & Young LLC

(57) **CLAIM**

The ornamental design for a personal filtration device, as shown and described.

DESCRIPTION

FIG. 1 is an isometric view of a personal filtration device showing our new design.

FIG. 2 is a front plan view thereof.

FIG. 3 is a right side plan view thereof.

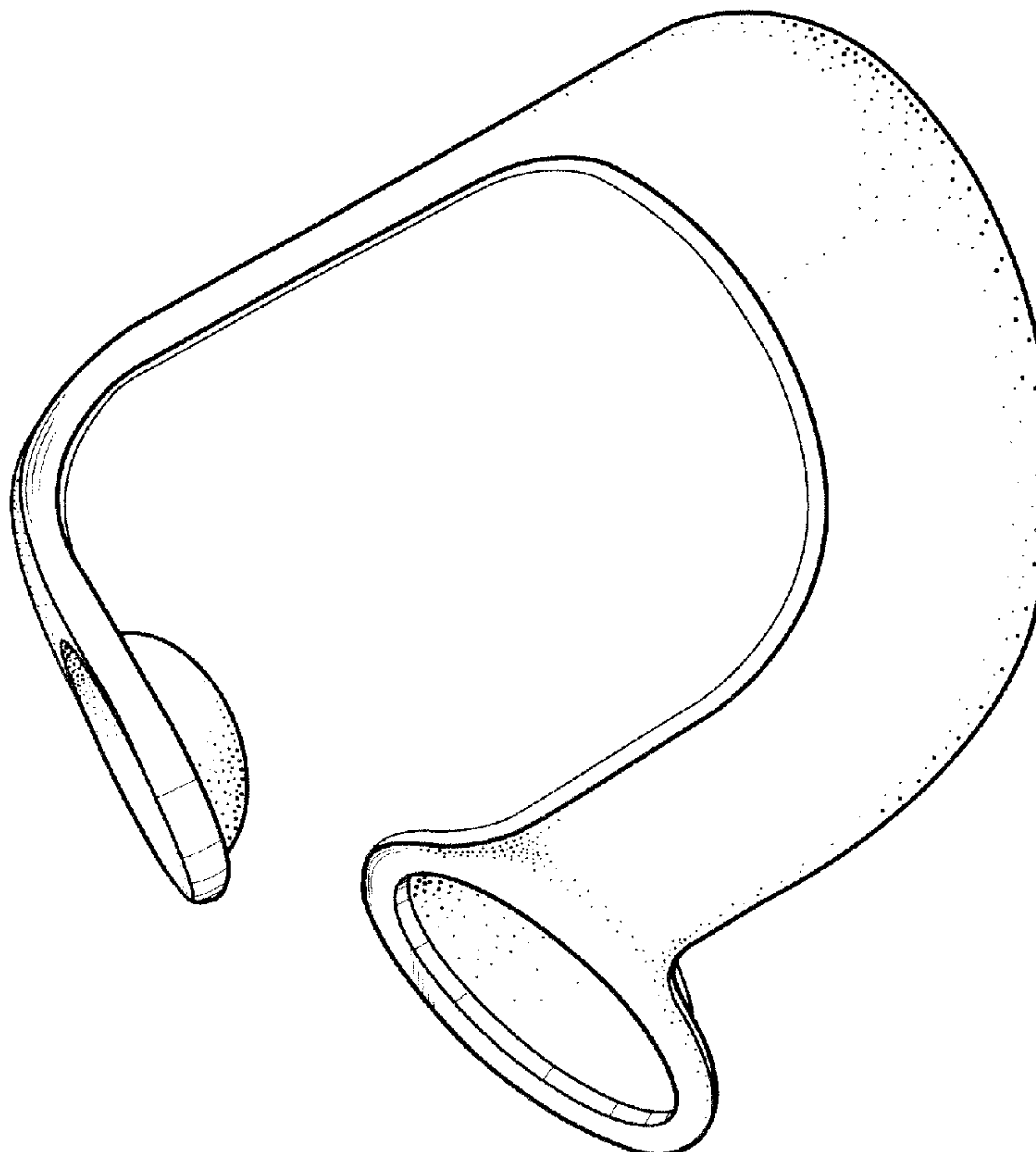
FIG. 4 is a left side plan view thereof.

FIG. 5 is a top plan view thereof.

FIG. 6 is a rear plan view thereof; and,

FIG. 7 is a bottom plan view thereof.

1 Claim, 7 Drawing Sheets



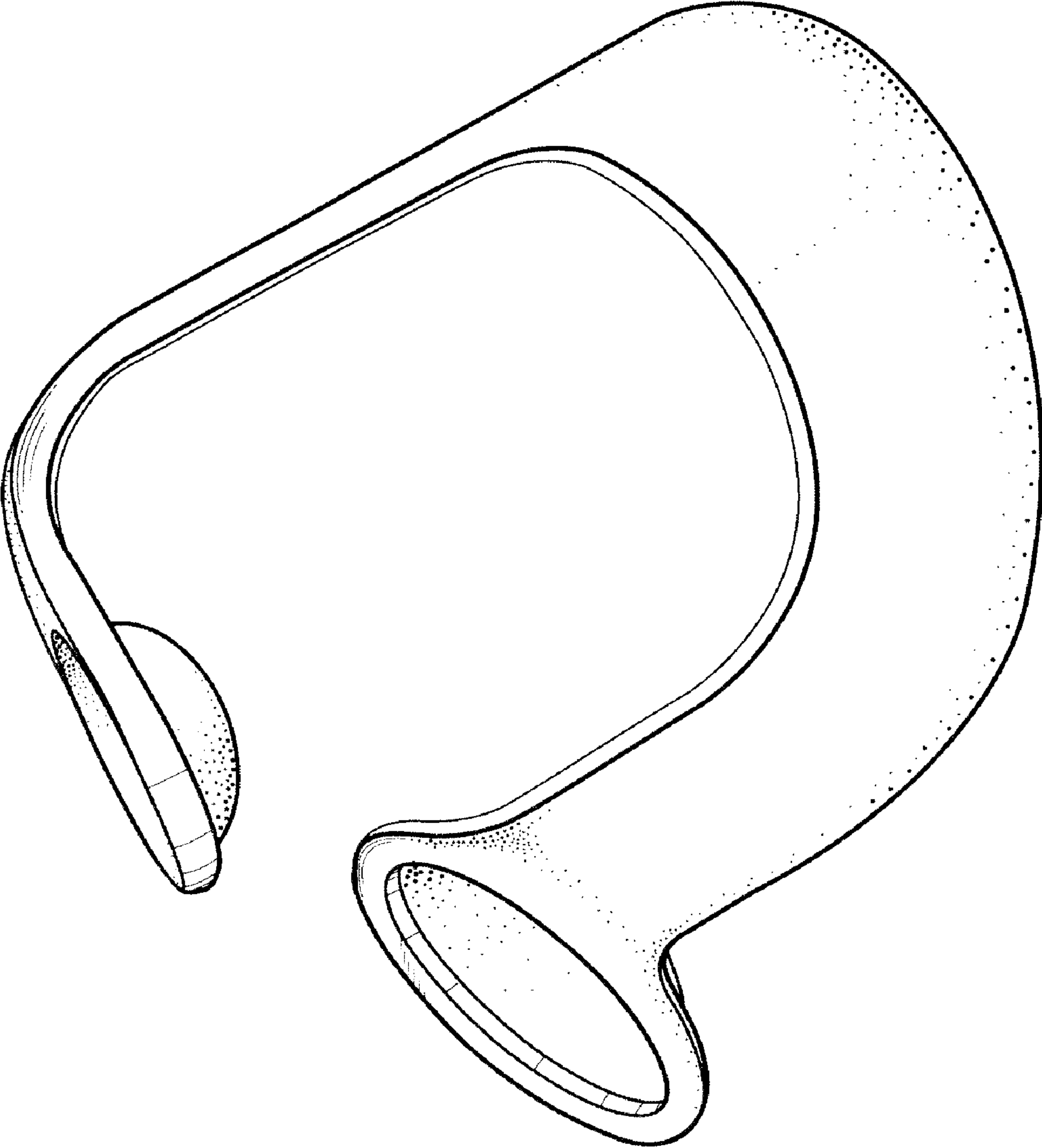


FIGURE 1

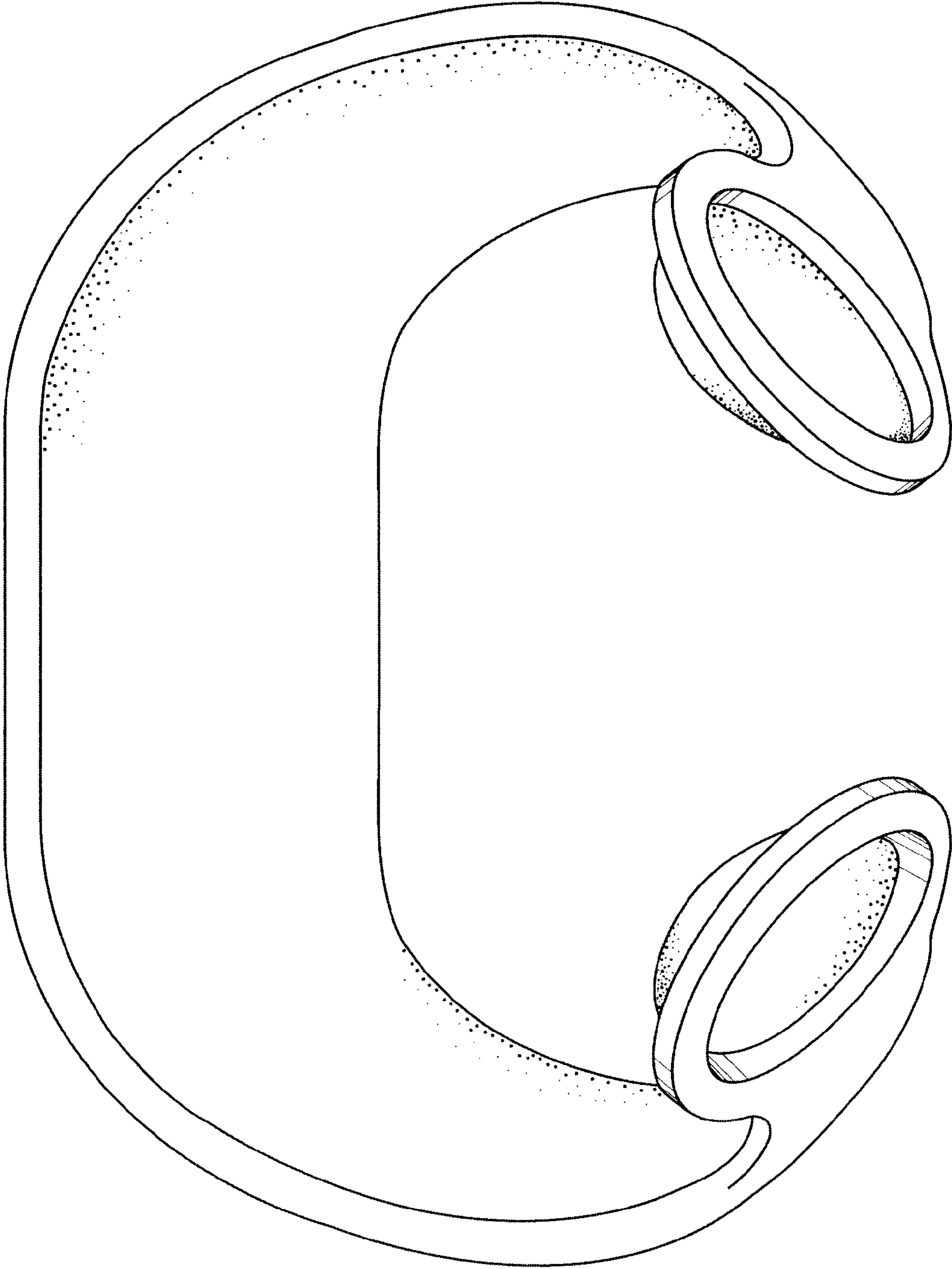


FIGURE 2

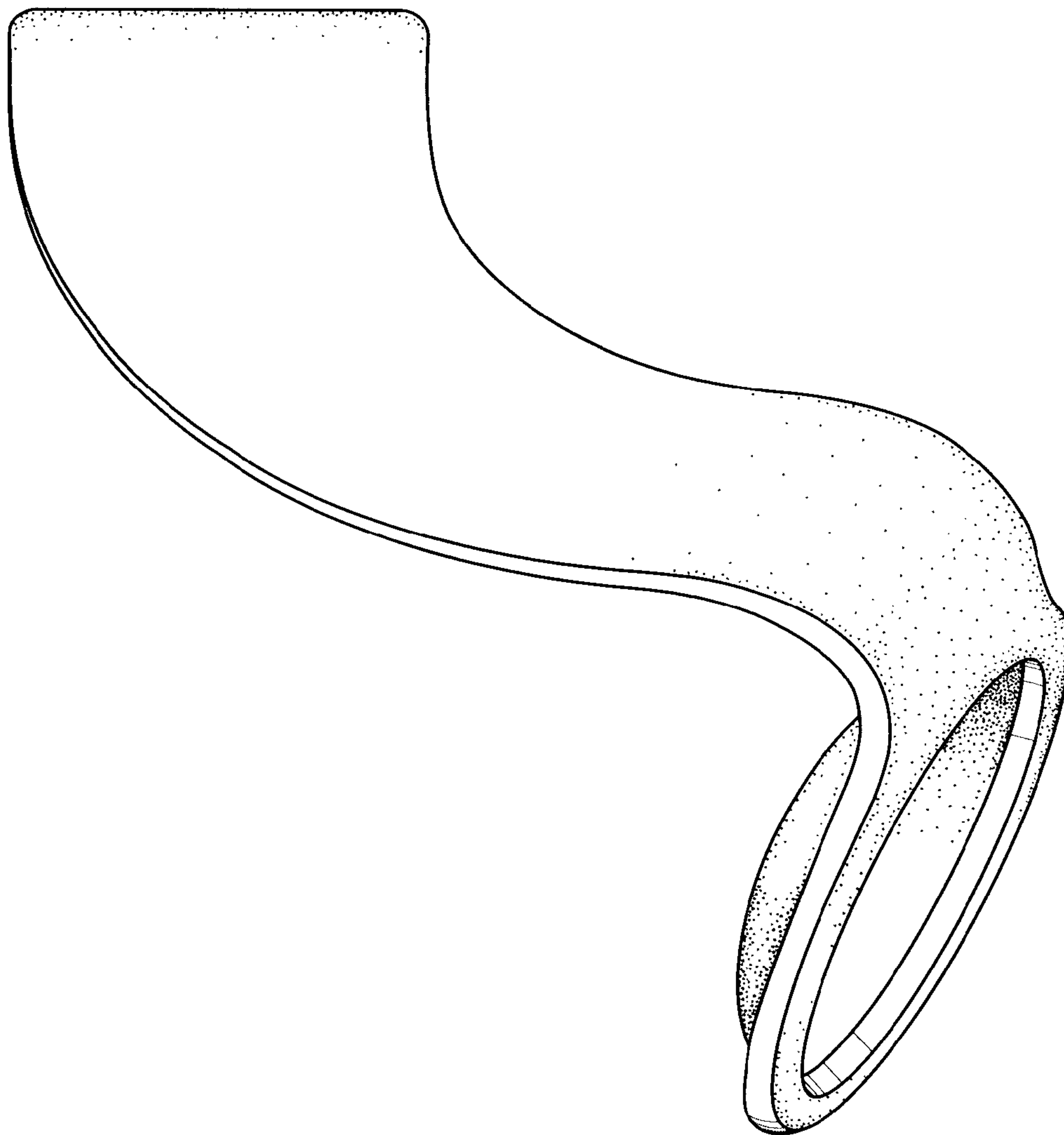


FIGURE 3

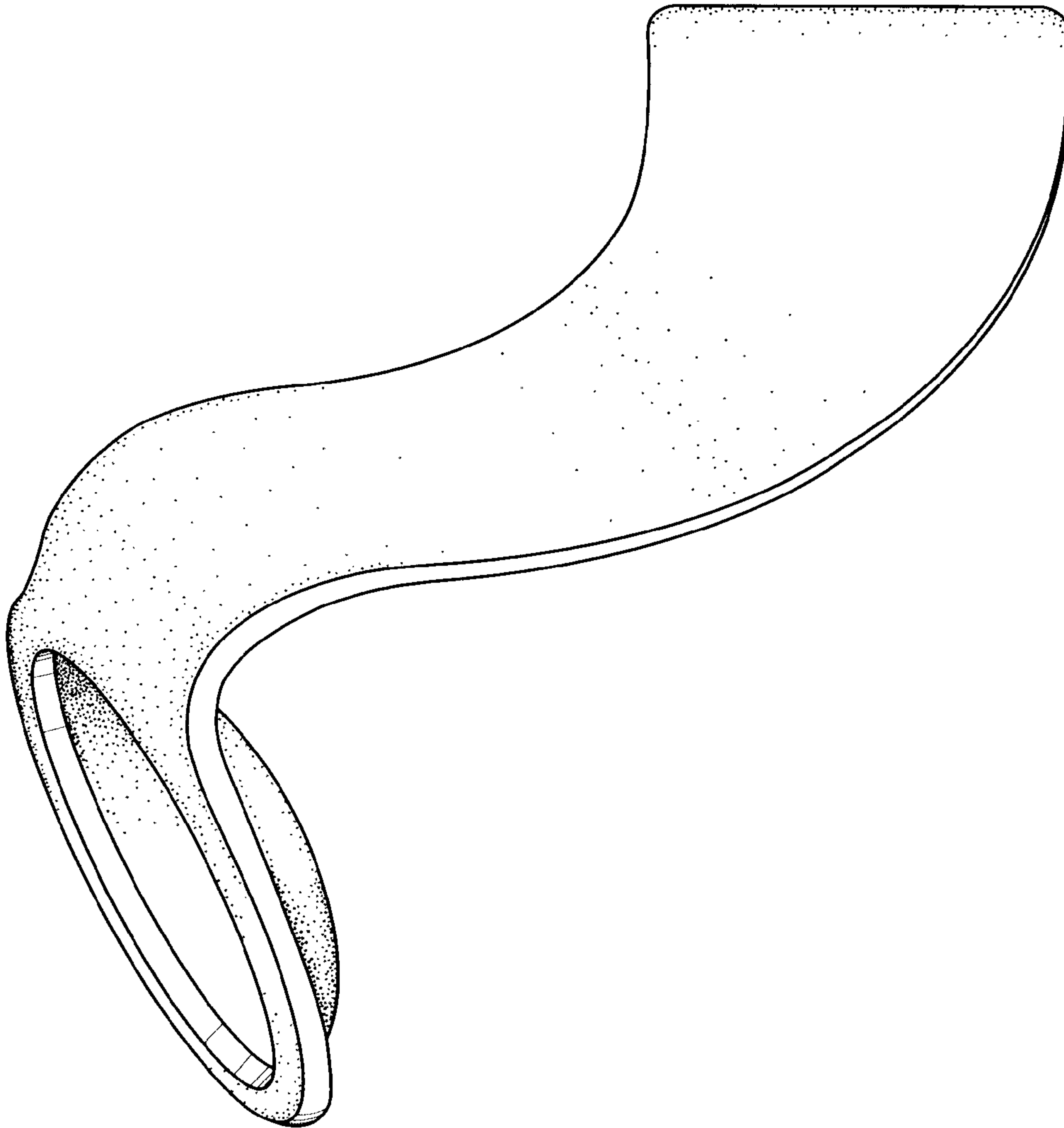


FIGURE 4

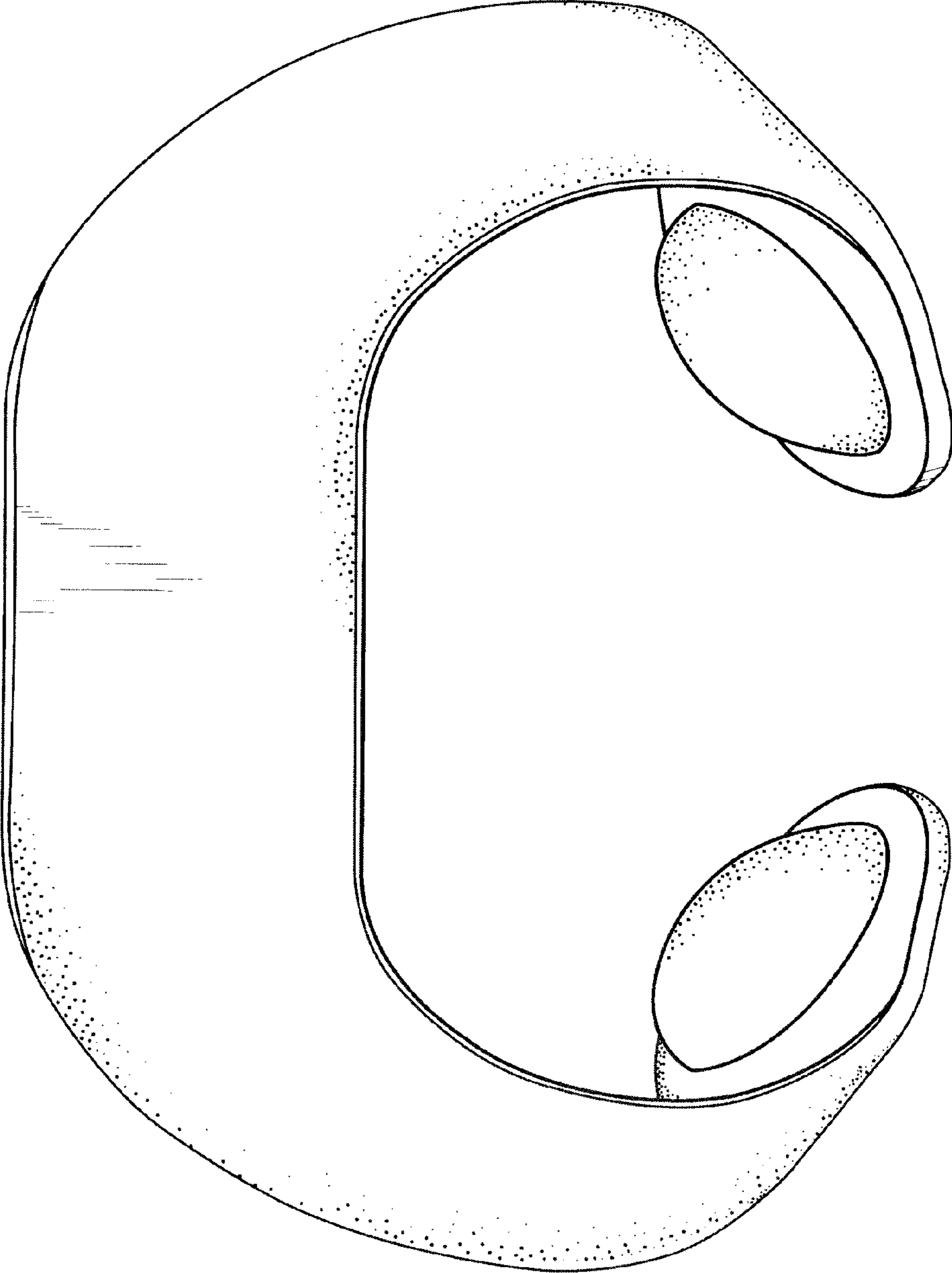


FIGURE 5

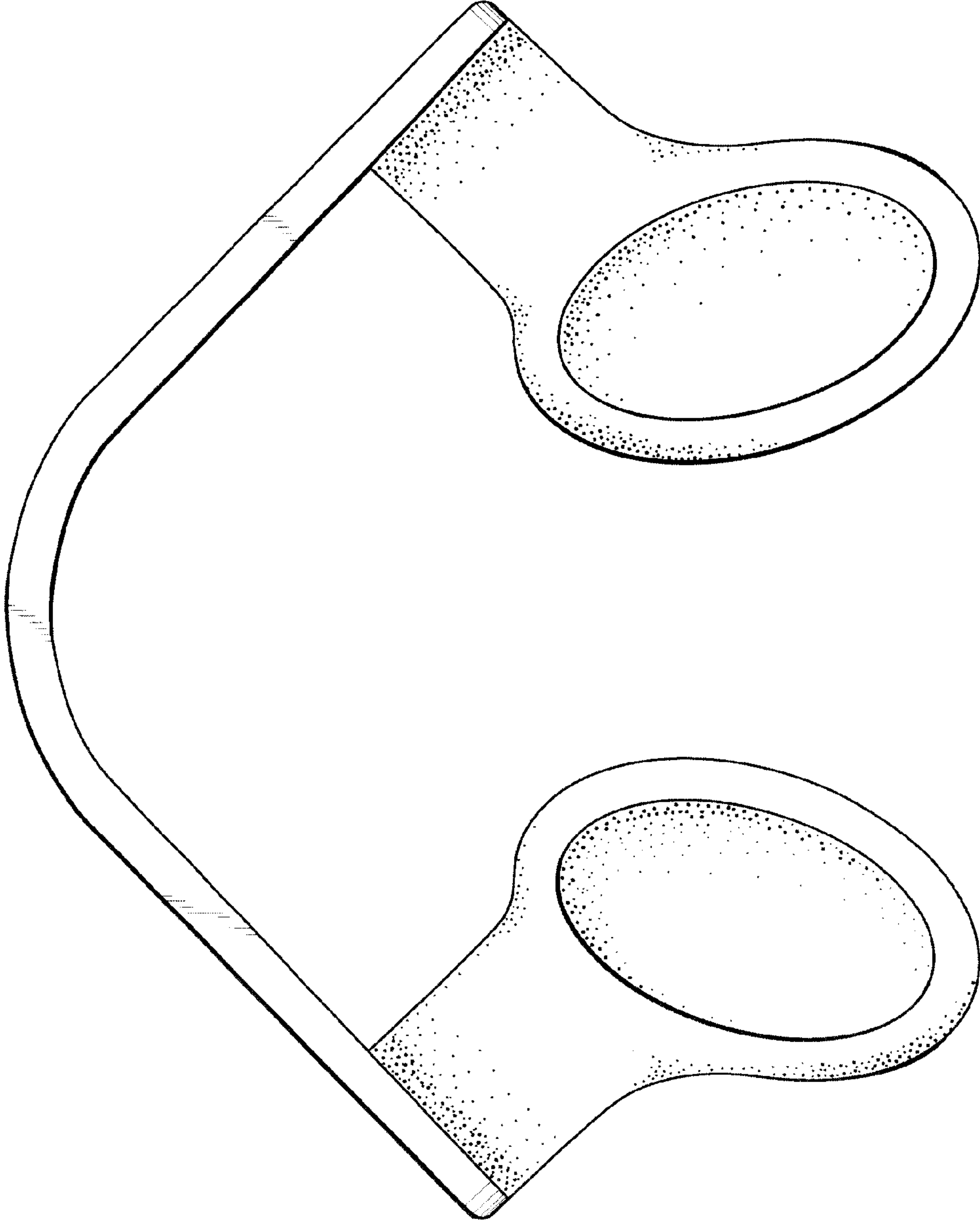


FIGURE 6

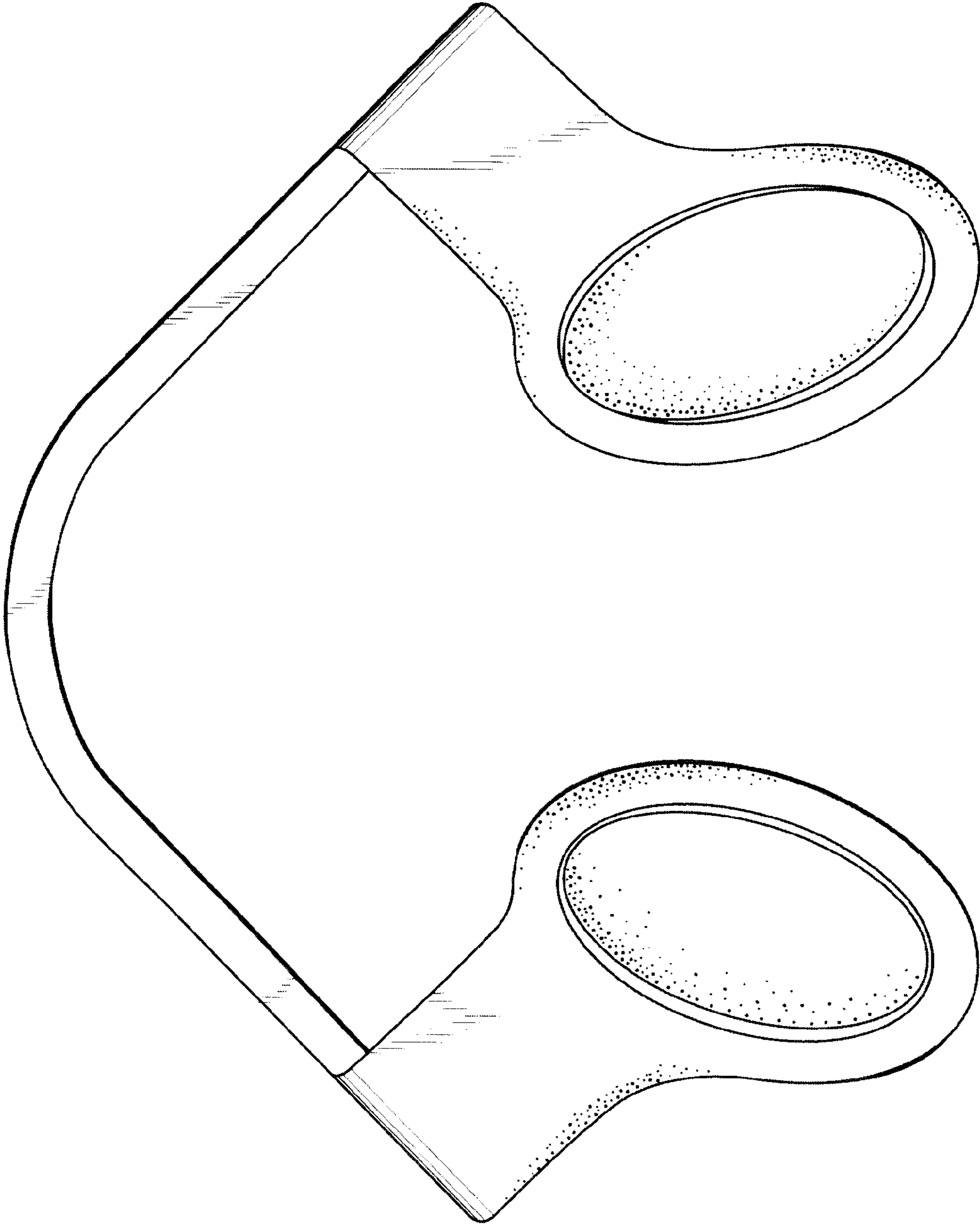


FIGURE 7