



US00D519628S

(12) **United States Design Patent**
Young

(10) **Patent No.:** **US D519,628 S**

(45) **Date of Patent:** **** Apr. 25, 2006**

(54) **HOUSING**

(75) Inventor: **Stanfield Young**, Los Alamitos, CA
(US)

(73) Assignee: **Minka Lighting, Inc.**, Corona, CA
(US)

(**) Term: **14 Years**

(21) Appl. No.: **29/228,286**

(22) Filed: **Apr. 21, 2005**

(51) **LOC (8) Cl.** **23-04**

(52) **U.S. Cl.** **D23/411**

(58) **Field of Classification Search** D23/377,
D23/379, 385, 411, 413; D26/59, 71, 81-88,
D26/51; 416/5; 362/96

See application file for complete search history.

(56) **References Cited**

U.S. PATENT DOCUMENTS

D457,620 S	*	5/2002	Frampton	D23/413
D478,654 S	*	8/2003	Hidalgo	D23/413
D478,974 S	*	8/2003	Hidalgo	D23/377
D486,124 S	*	2/2004	LeFranc	D23/377
D507,646 S	*	7/2005	Young	D23/413

OTHER PUBLICATIONS

Hampton Bay Internet Catalog; Cruiser; Model # 04345; printed from www.homedepot.com on Apr. 20, 2005.
Ellington Internet Catalog; The Surfboard; Model #ELSBF58AN5LKRCR2; printed from www.fansworksoutlet.com on Apr. 20, 2005.

Homer TLC Inc.; Hampton Bay Catalog, 2004; p. 37, vol. 2; Homer TLC, Inc.

* cited by examiner

Primary Examiner—Lisa Lichtenstein

(74) *Attorney, Agent, or Firm*—Baker & McKenzie LLP

(57) **CLAIM**

The ornamental design for a housing, as shown and described.

DESCRIPTION

FIG. 1 is a perspective view from below of a housing in accordance with my design;

FIG. 2 is a top plan view of the housing in accordance with my design;

FIG. 3 is a bottom plan view of the housing in accordance with my design;

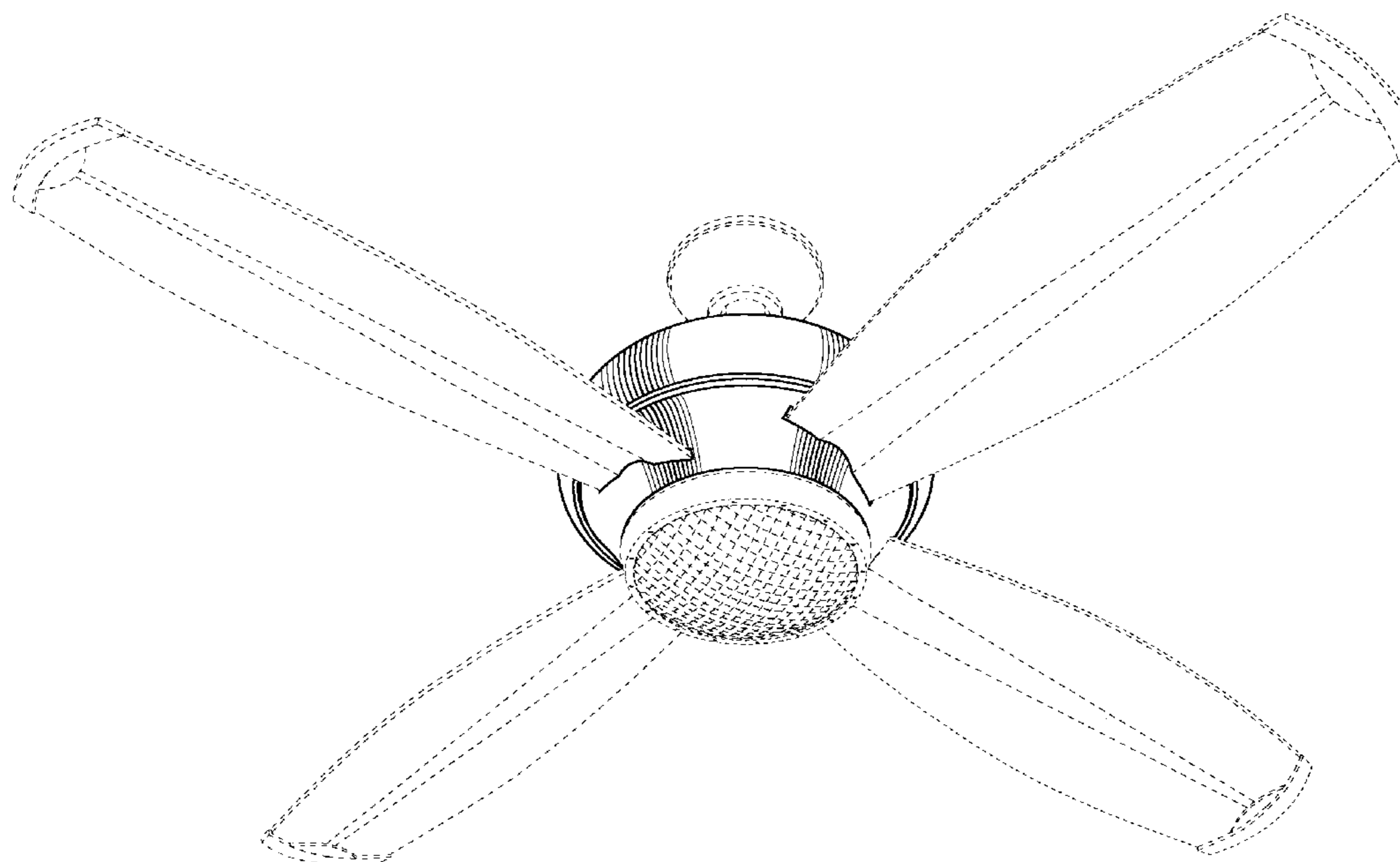
FIG. 4 is a front elevation view of the housing in accordance with my design; and,

FIG. 5 is a side elevation view of the housing in accordance with my design the opposite side being substantially identical to that shown except for the position of the fan blades.

FIGS. 4 and 5 are identical except for the positioning of the fan blades.

The broken lines showing environmental structure are for illustrative purposes and form no part of the claimed invention.

1 Claim, 5 Drawing Sheets



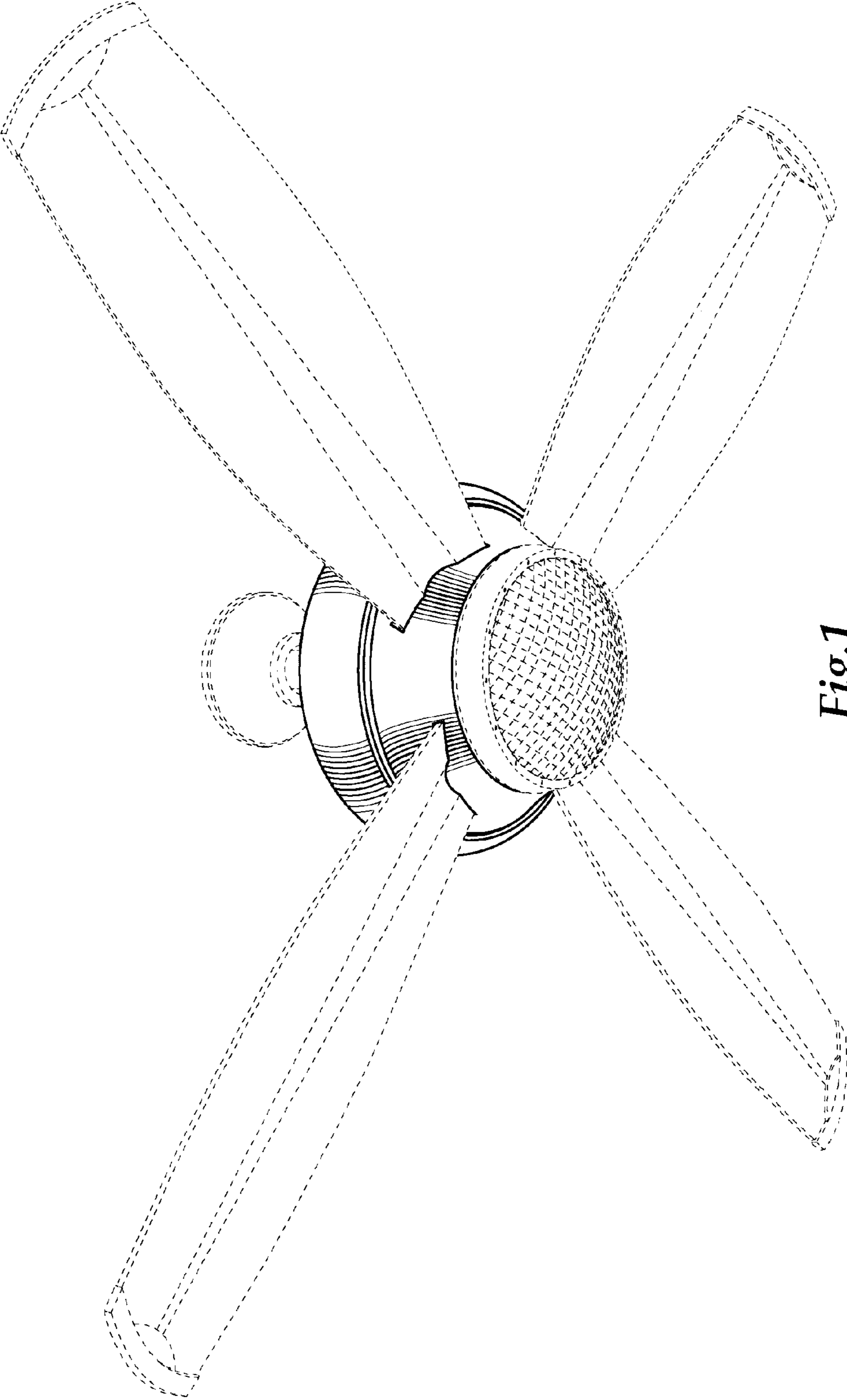


Fig. 1

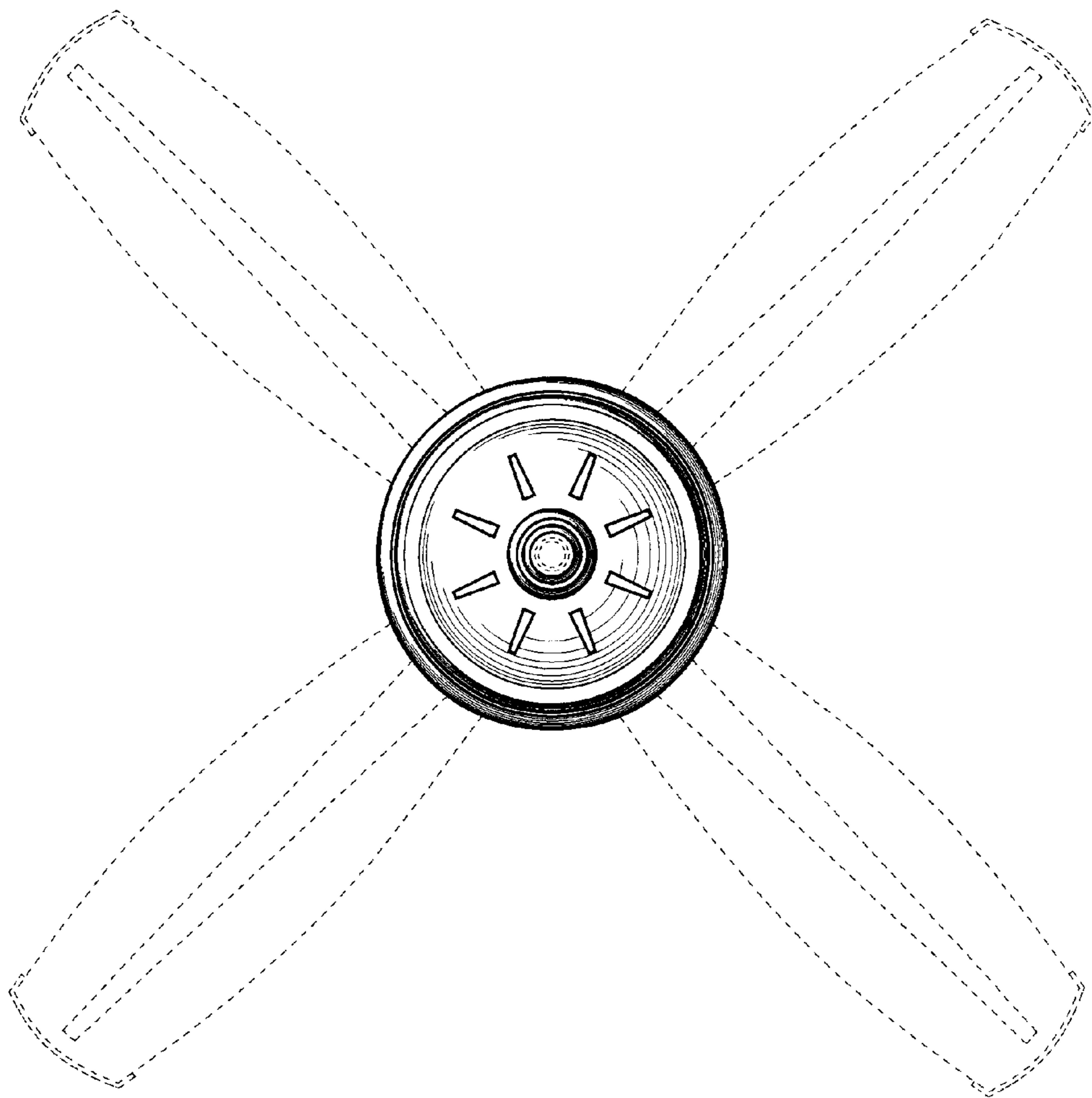


Fig. 2

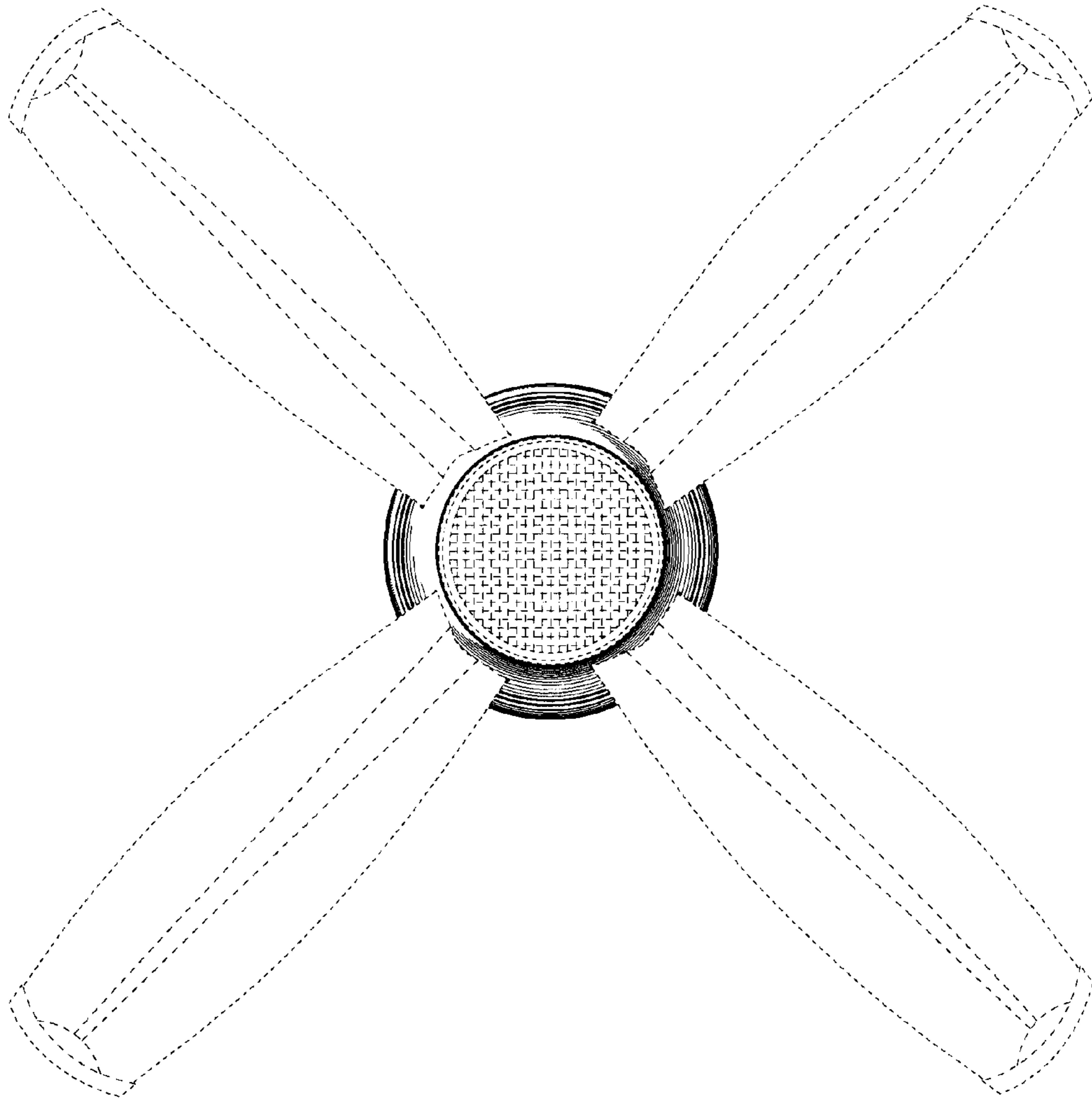


Fig.3

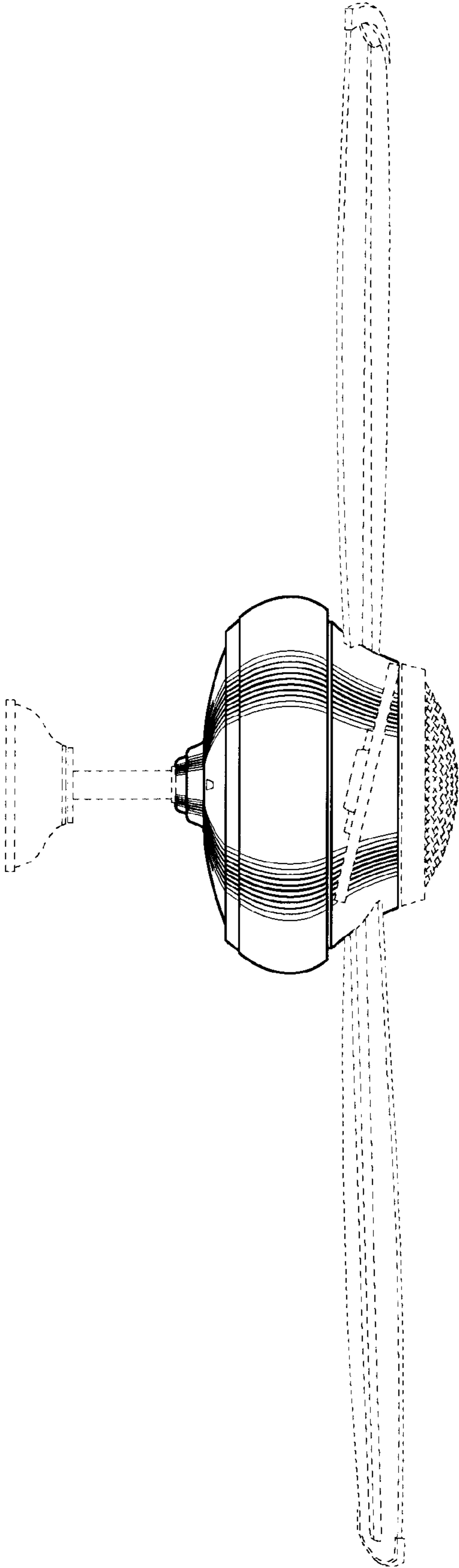


Fig. 4

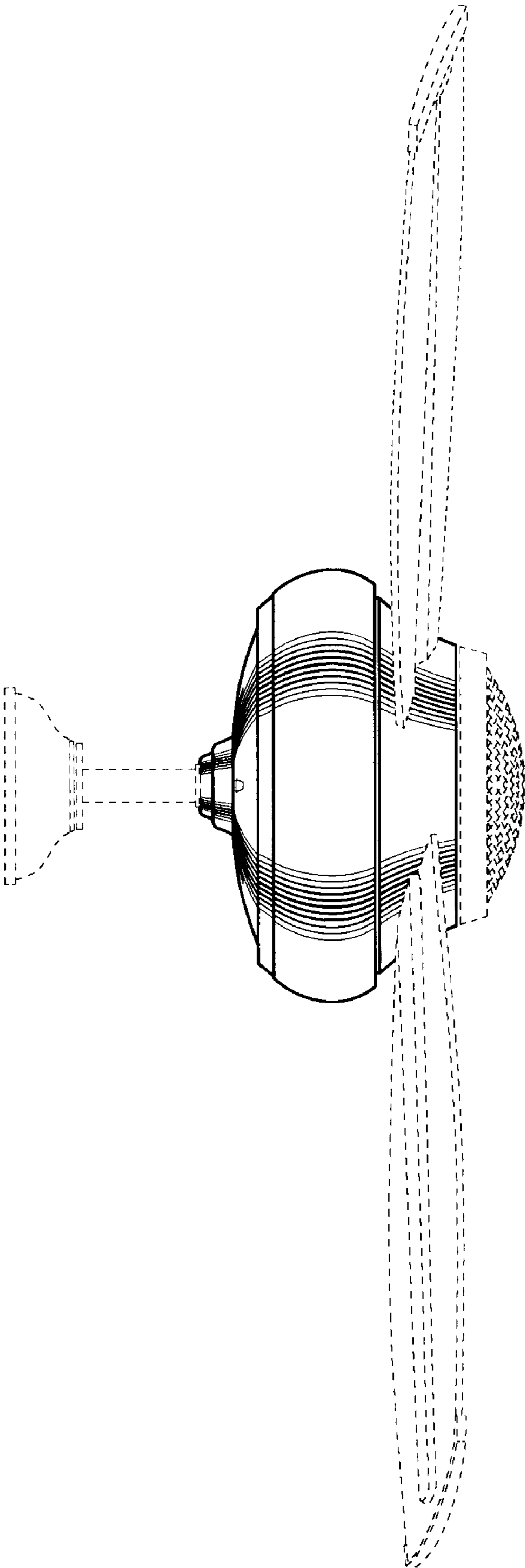


Fig.5