



US00D519625S

(12) **United States Design Patent**
Young

(10) **Patent No.:** **US D519,625 S**

(45) **Date of Patent:** **** Apr. 25, 2006**

(54) **CEILING FAN**

(75) Inventor: **Stanfield Young**, Los Alamitos, CA
(US)

(73) Assignee: **Minka Lighting, Inc.**, Corona, CA
(US)

(**) Term: **14 Years**

(21) Appl. No.: **29/228,283**

(22) Filed: **Apr. 21, 2005**

(51) **LOC (8) Cl.** **23-04**

(52) **U.S. Cl.** **D23/377; D26/59**

(58) **Field of Classification Search** D23/377,
D23/379, 385, 411, 413; D26/59, 71, 81-88,
D26/51; 416/5; 362/96

See application file for complete search history.

(56) **References Cited**

U.S. PATENT DOCUMENTS

D425,610 S * 5/2000 Gee, II D23/377
D464,722 S * 10/2002 Sonneman D23/377

OTHER PUBLICATIONS

Montecarlo Internet Catalog; Orbit; Model #
MC-5OBR52BSD; printed from www.hansenwholesale.
com on Apr. 22, 2005.

Casablanca Internet Catalog; Bel Air Halo; Model
#CA38DH45T; printed from www.ceilingfanoutlet.com on
May 13, 2005.

Artemide Internet Catalog; Musa Suspension; printed from
www.artemide.us on May 13, 2005.

Artemide Internet Catalog; Giocasta Suspension; printed
from www.artemide.us on May 13, 2005.

* cited by examiner

Primary Examiner—Lisa Lichtenstein

(74) *Attorney, Agent, or Firm*—Baker & McKenzie LLP

(57) **CLAIM**

The ornamental design for a ceiling fan, as shown and
described.

DESCRIPTION

FIG. 1 is a perspective view from below of a ceiling fan in
accordance with my design;

FIG. 2 is a reduced top plan view of the ceiling fan in
accordance with my design;

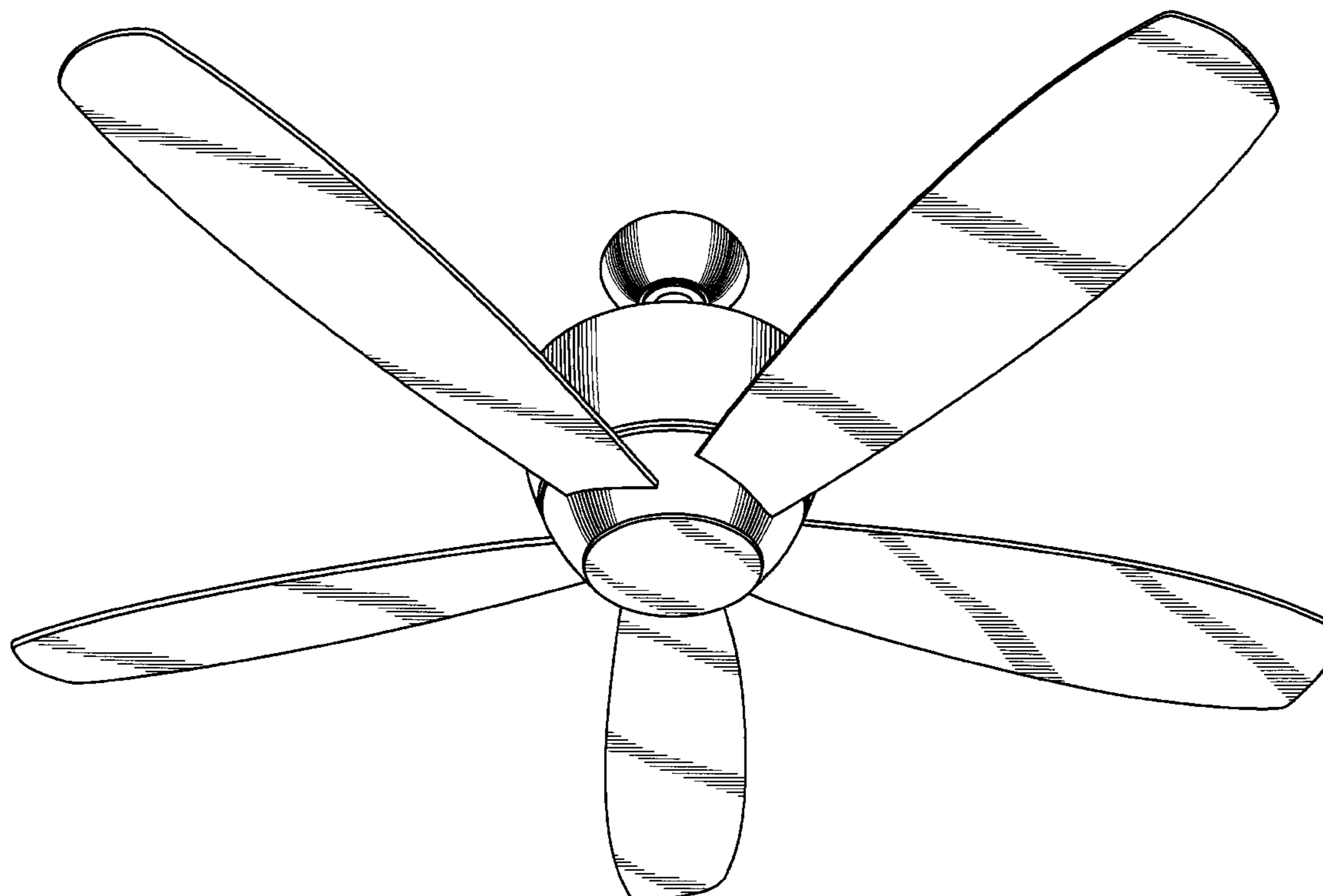
FIG. 3 is a reduced bottom plan view of the ceiling fan in
accordance with my design;

FIG. 4 is a front elevation view of the ceiling fan in
accordance with my design; and,

FIG. 5 is a side elevation view of the ceiling fan in
accordance with my design the opposite side being substan-
tially identical to that shown except for the position of the
fan blades.

FIGS. 4 and 5 are identical except for the positioning of the
fan blades.

1 Claim, 5 Drawing Sheets



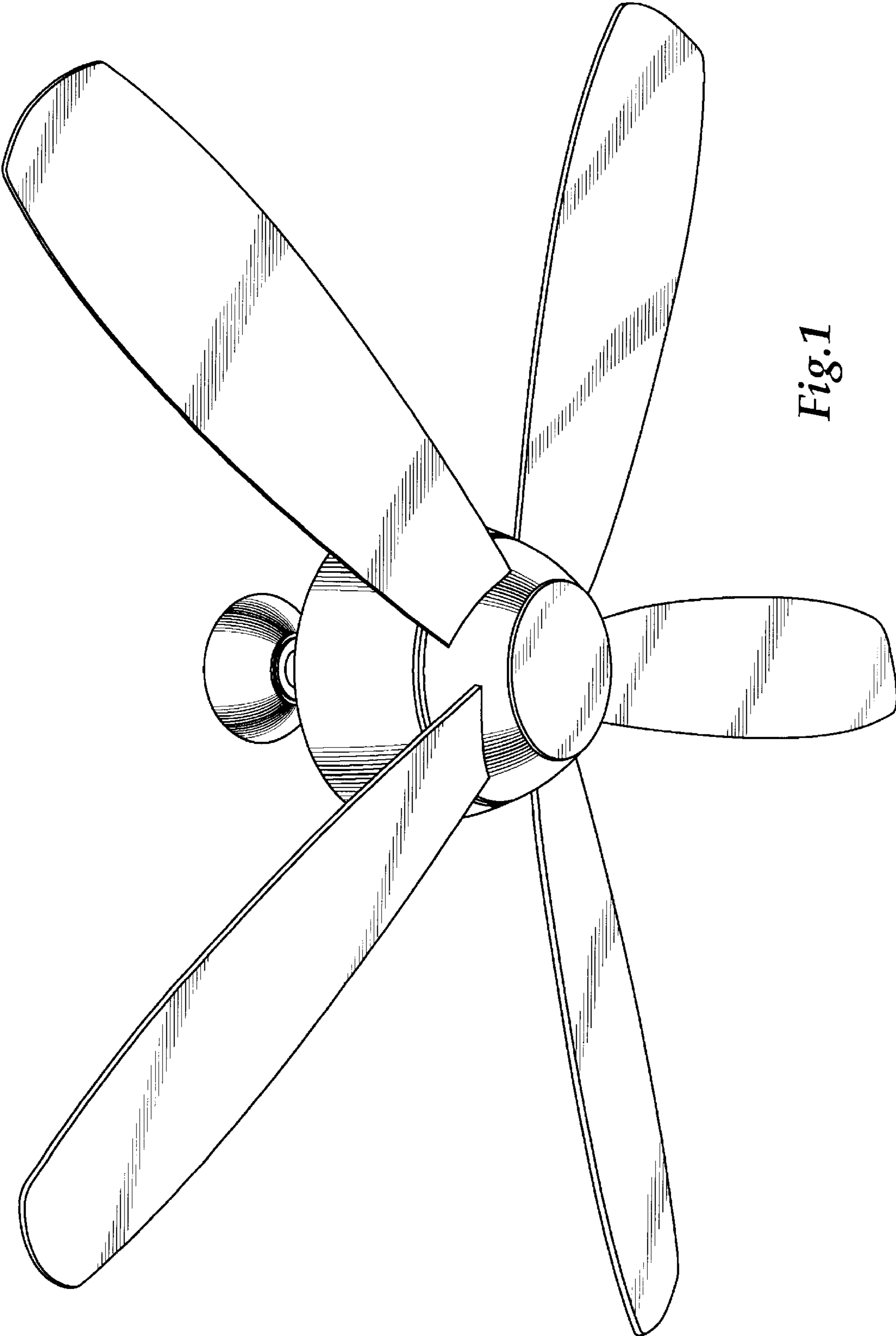


Fig. 1

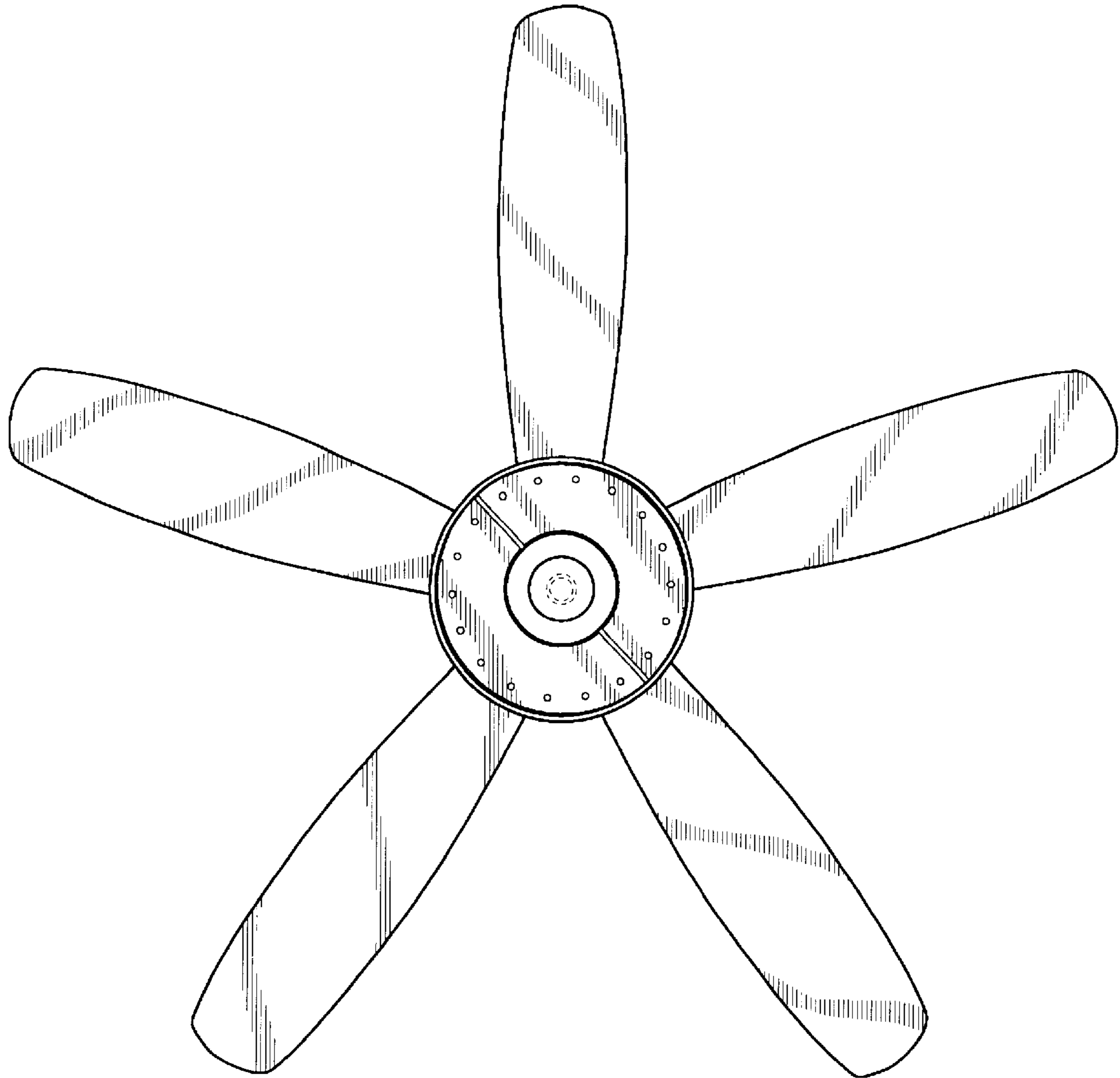


Fig.2

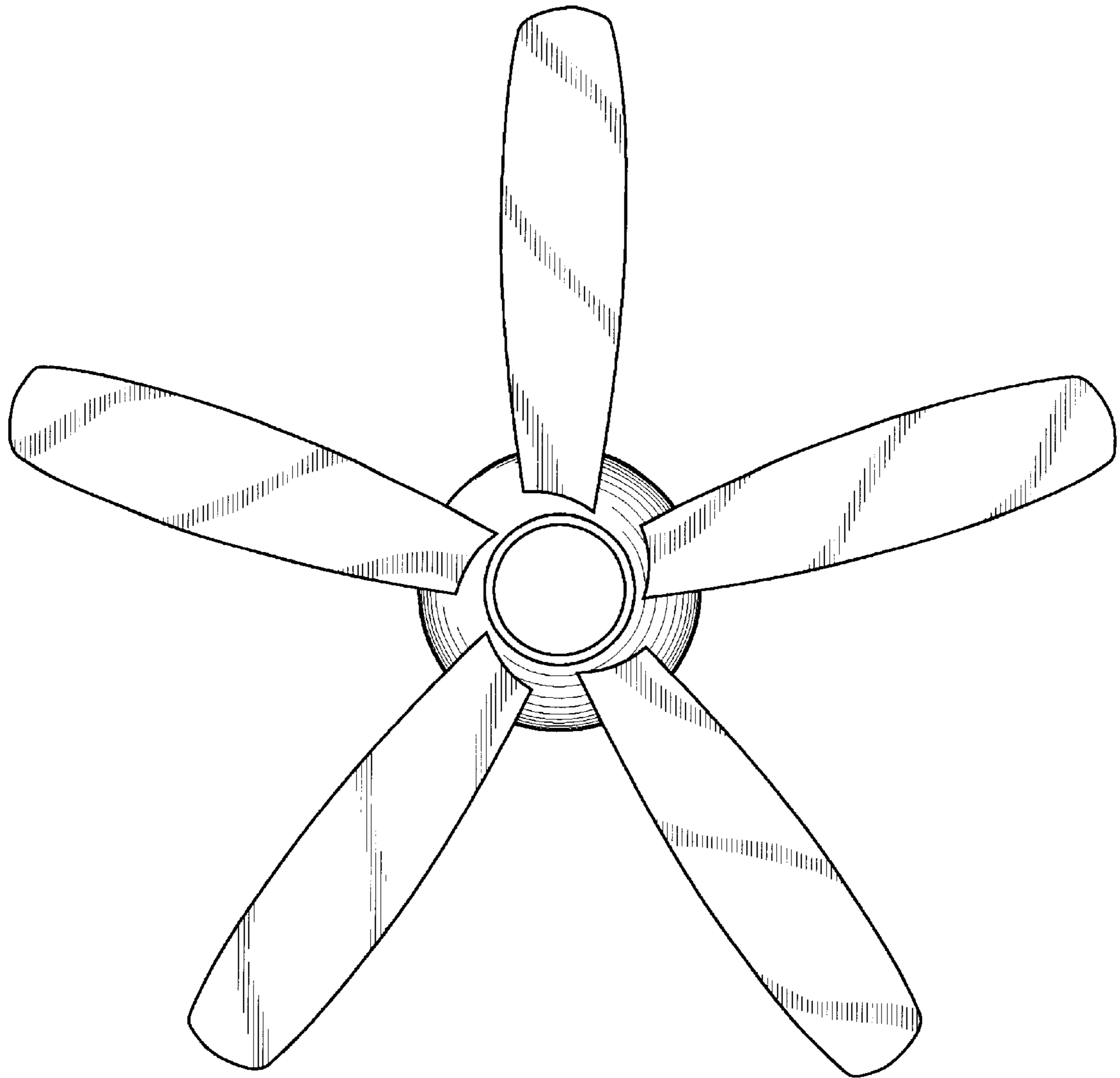


Fig.3

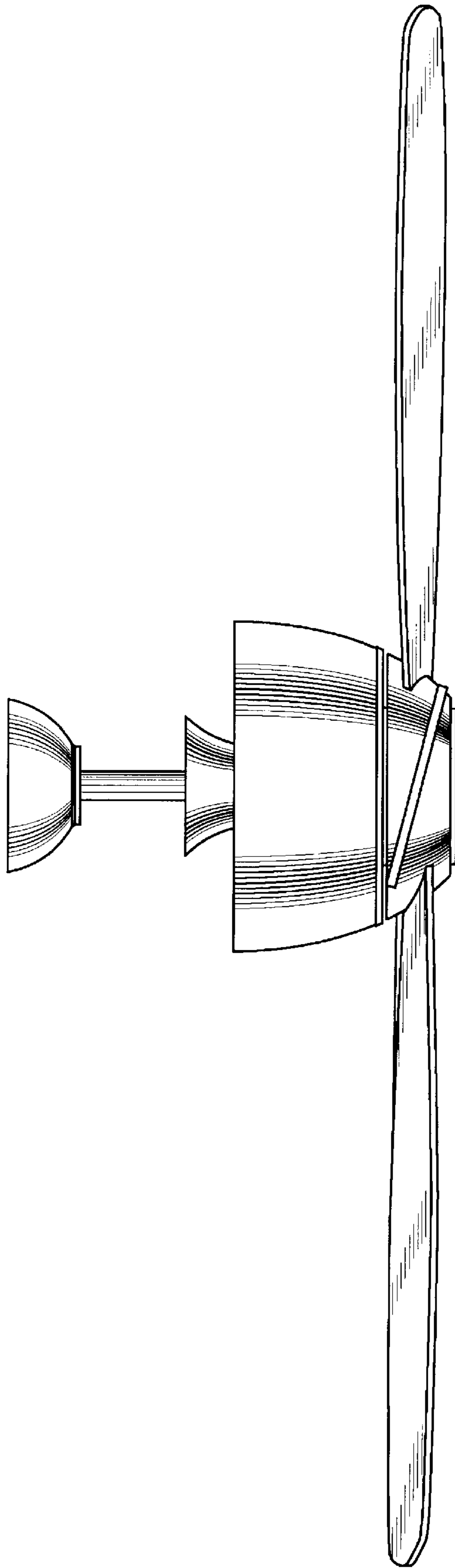


Fig.4

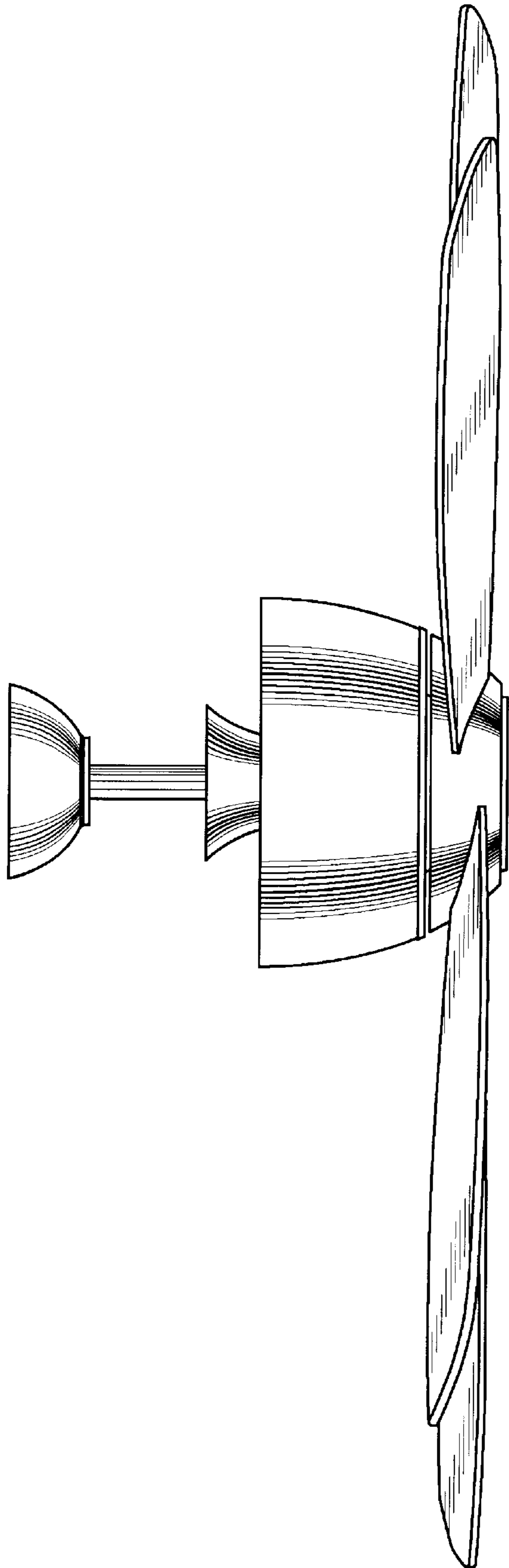


Fig. 5