



US00D519622S

(12) **United States Design Patent**  
**Cocchi**

(10) **Patent No.:** **US D519,622 S**

(45) **Date of Patent:** **\*\* Apr. 25, 2006**

(54) **AIR FRESHENER DISPENSER**

(75) Inventor: **Fulvio Cocchi**, Milan (IT)

(73) Assignee: **Misal Arexons S.p.A.**, Rome (IT)

(\*\*) Term: **14 Years**

(21) Appl. No.: **29/193,741**

(22) Filed: **Nov. 13, 2003**

(30) **Foreign Application Priority Data**

May 16, 2003 (EM) ..... 31620

(51) **LOC (8) Cl.** ..... **23-04**

(52) **U.S. Cl.** ..... **D23/366**

(58) **Field of Classification Search** ..... 239/135,  
239/136, 58; 261/DIG. 17, DIG. 65; D23/356-369;  
392/390, 392; D21/392

See application file for complete search history.

(56) **References Cited**

**U.S. PATENT DOCUMENTS**

D432,222 S \* 10/2000 Rymer et al. .... D23/366

D480,792 S \* 10/2003 Millan ..... D23/366

D481,787 S \* 11/2003 Millan ..... D23/366

D485,340 S \* 1/2004 Wu ..... D23/366

D485,341 S \* 1/2004 Wu ..... D23/366

D491,256 S \* 6/2004 Fellows et al. .... D23/366

\* cited by examiner

*Primary Examiner*—Sandra S. Snapp

(74) *Attorney, Agent, or Firm*—Ladas & Parry LLP

(57) **CLAIM**

The ornamental design for an air freshener dispenser, as shown.

**DESCRIPTION**

FIG. 1 is a view in perspective of my new design relating to an air freshener dispenser;

FIG. 2 is a front view of my new design;

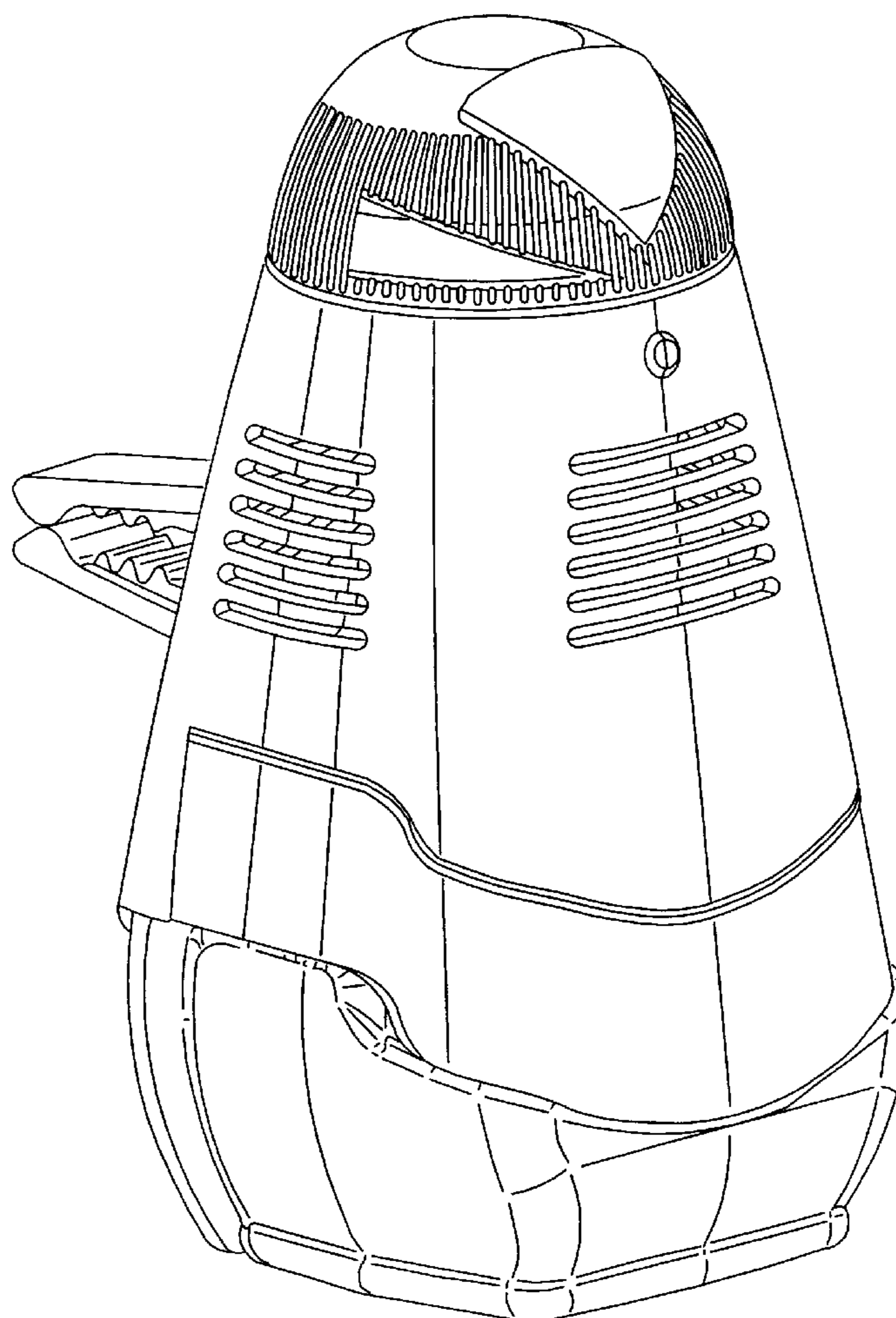
FIG. 3 is a rear view of my new design;

FIG. 4 is a side view of my new design;

FIG. 5 is a top plan view of my new design; and,

FIG. 6 is a bottom plan view of my new design.

**1 Claim, 3 Drawing Sheets**



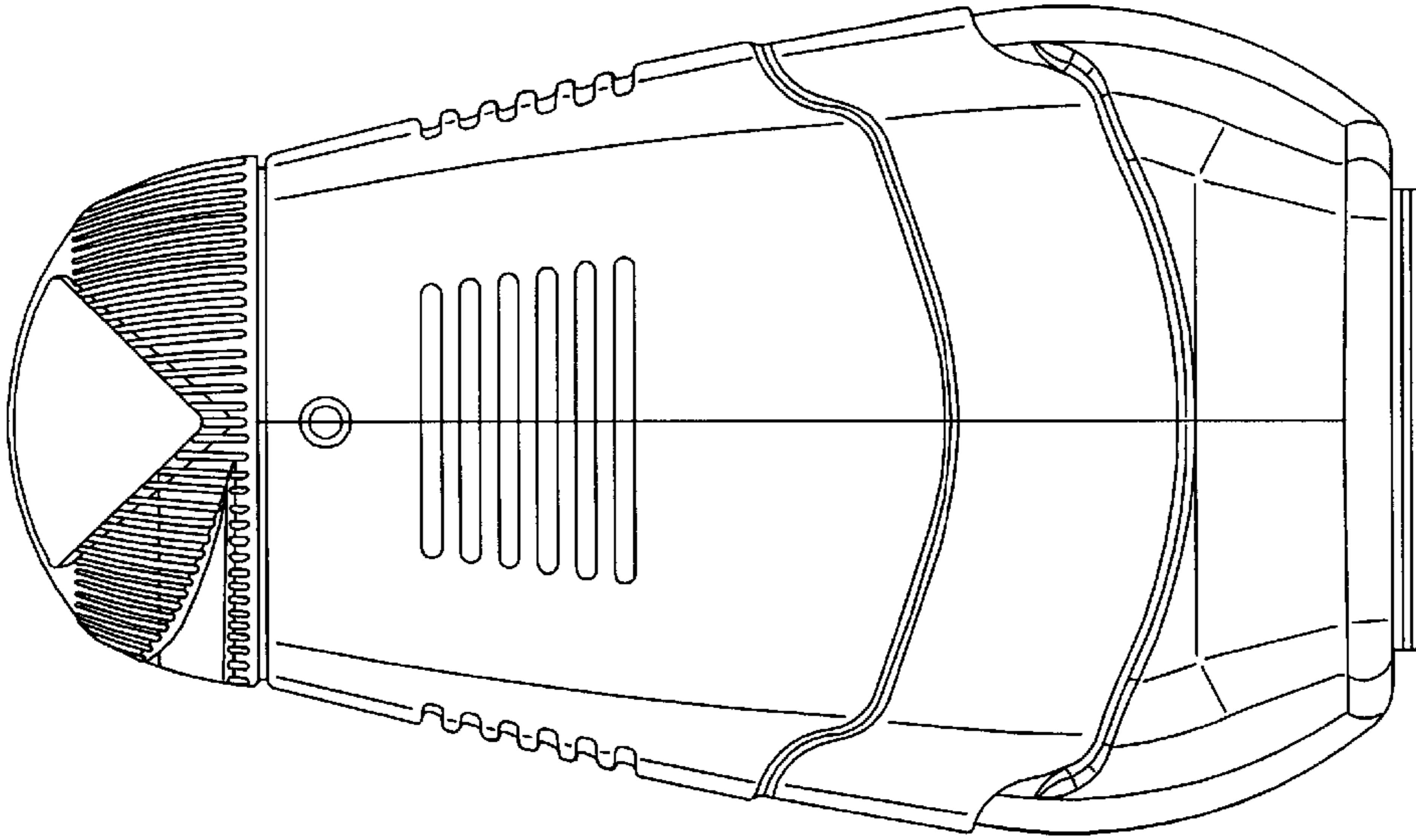


FIG. 2

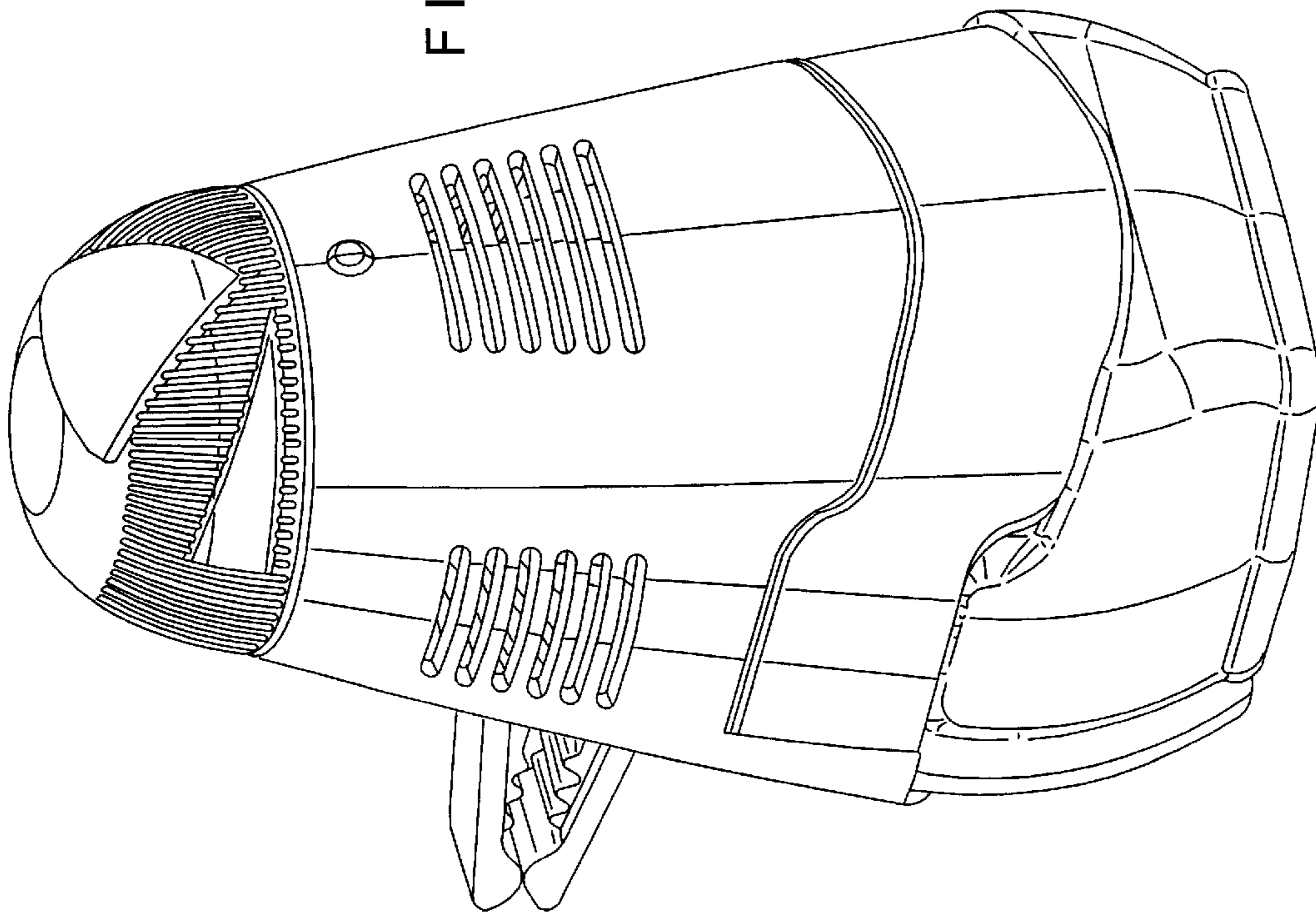


FIG. 1

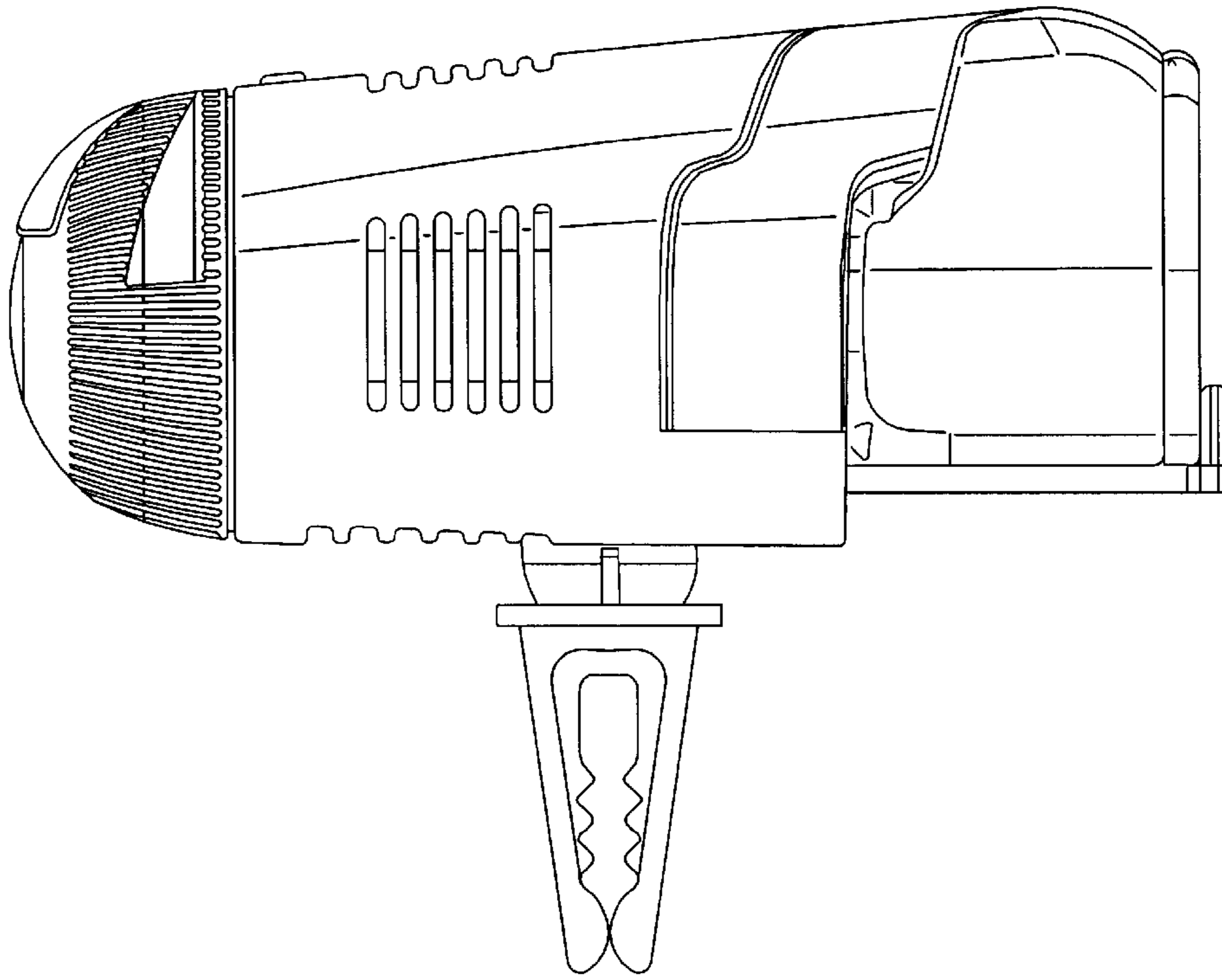


FIG. 4

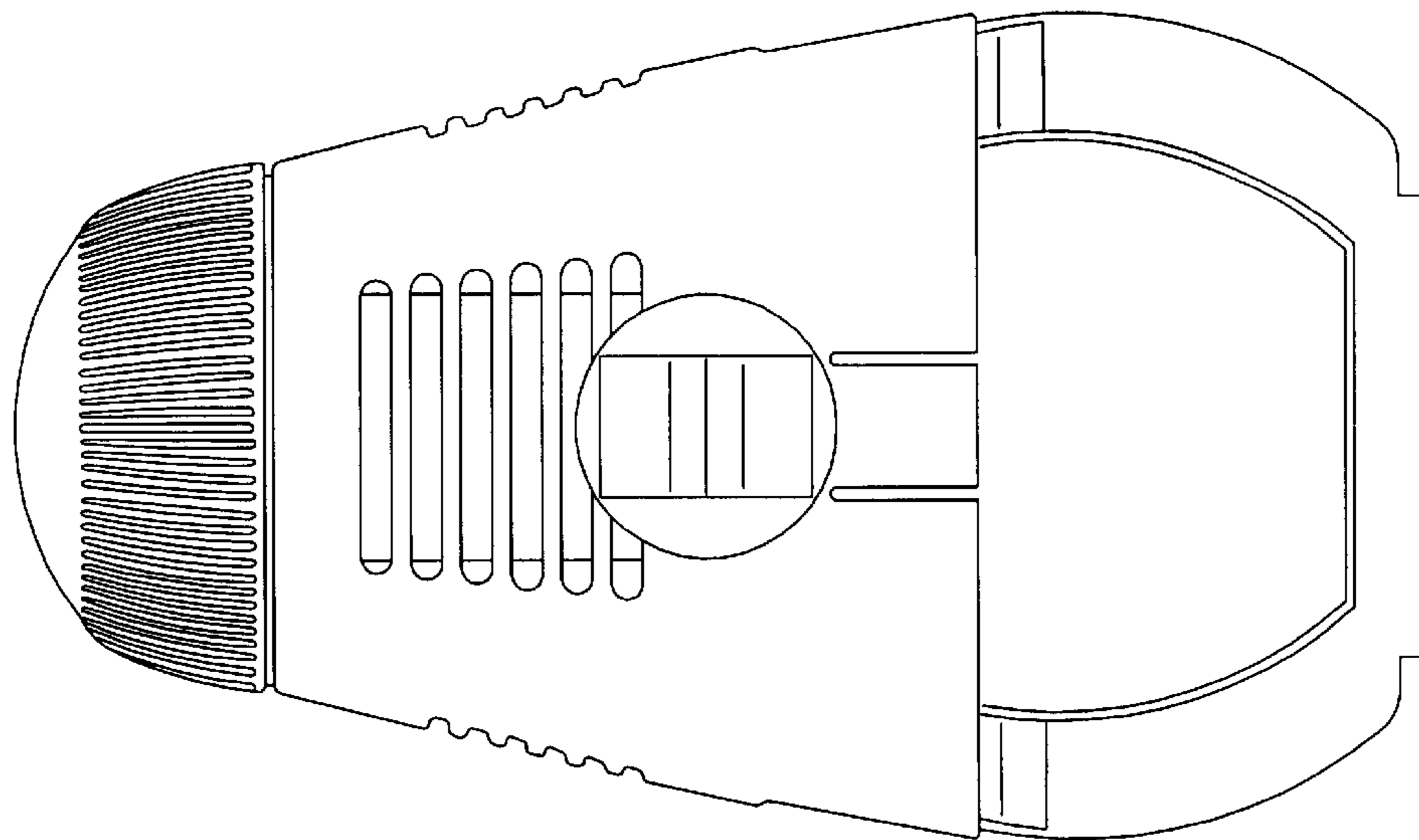


FIG. 3

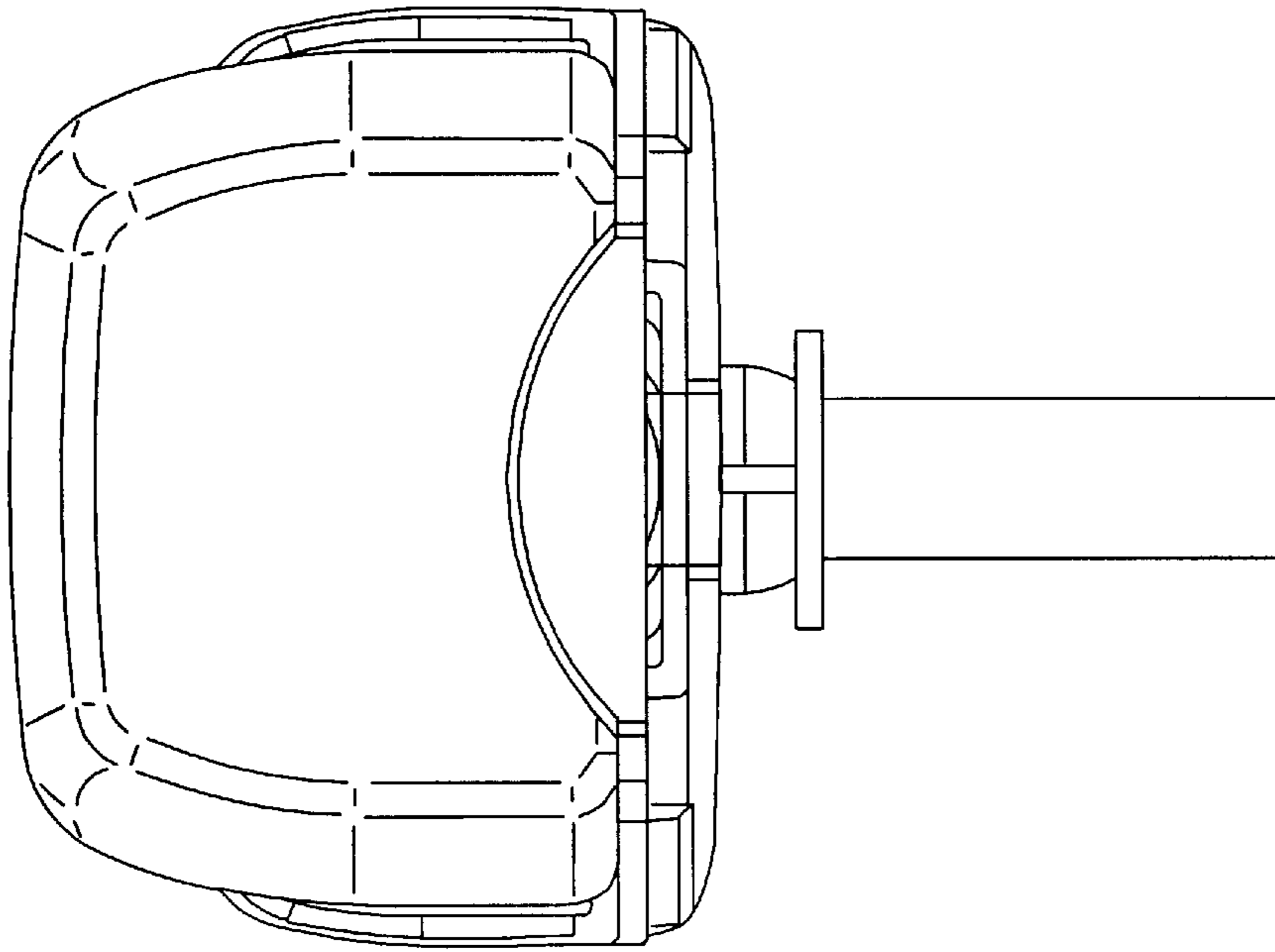


FIG. 6

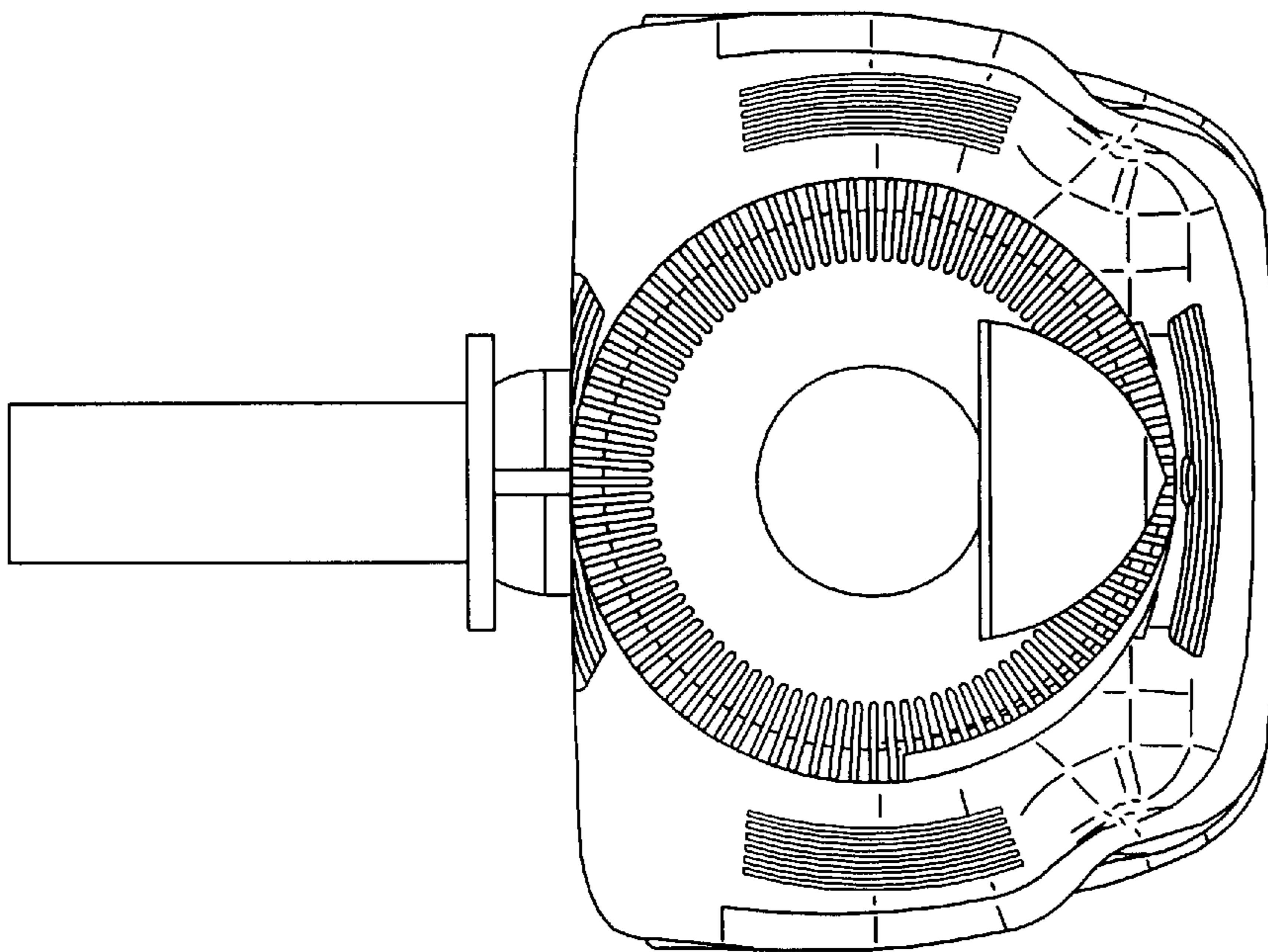


FIG. 5