



US00D519620S

(12) **United States Design Patent**
Haug et al.

(10) **Patent No.:** **US D519,620 S**
(45) **Date of Patent:** **** Apr. 25, 2006**

(54) **SHOWER UNIT**

6,134,722 A * 10/2000 Lowry et al. 4/601

(75) Inventors: **Andreas Haug**, Stuttgart (DE); **Tom Schönherr**, Stuttgart (DE); **Andreas Dimitriadis**, Lorch (DE); **Peter Kolin**, Schwäbisch-Gmünd (DE)

OTHER PUBLICATIONS

HAFRO, sales publication, Sep. 2003.
KOHLER, sales publication, Form 170315-AA Jan. 1998.
INDA, sales publication, Sep. 1999.

(73) Assignee: **Hansgrohe AG**, Schiltach (DE)

* cited by examiner

(**) Term: **14 Years**

Primary Examiner—Robert A. Delehanty
(74) *Attorney, Agent, or Firm*—Duane Morris LLP

(21) Appl. No.: **29/205,035**

(57) **CLAIM**

(22) Filed: **May 7, 2004**

The ornamental design for a shower unit, as shown and described.

(30) **Foreign Application Priority Data**

DESCRIPTION

Nov. 11, 2003 (DE) 4 03 07 137

FIG. 1: is a side perspective view of the shower unit showing our new design;

(51) **LOC (8) Cl.** **23-02**

FIG. 2: is a top plan view thereof;

(52) **U.S. Cl.** **D23/304**

FIG. 3: is a bottom plan view thereof;

(58) **Field of Classification Search** D23/270-271,

FIG. 4: is a front elevation view thereof;

D23/275, 283, 303-304, 213, 228-229; 4/546,

FIG. 5: is a side elevation view thereof;

4/552, 605, 596-597, 615, 617, 601

FIG. 6: is a rear elevation view thereof; and,

See application file for complete search history.

FIG. 7: is the opposite side elevation view thereof.

(56) **References Cited**

All portions shown in broken lines are for illustrative purposes only and form no part of the claimed design.

U.S. PATENT DOCUMENTS

D428,643 S * 7/2000 Haug et al. D23/304

1 Claim, 3 Drawing Sheets

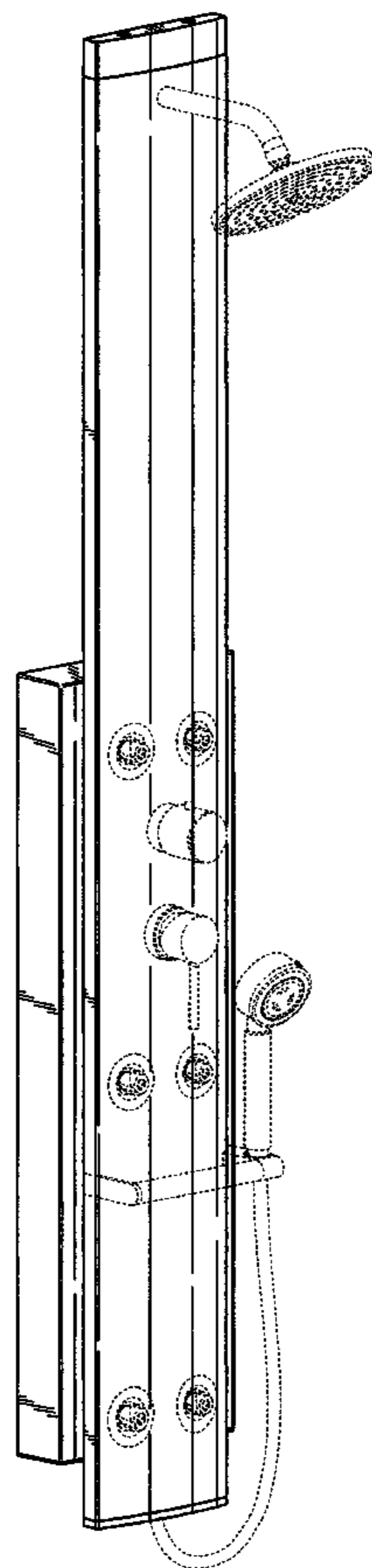


FIG. 1

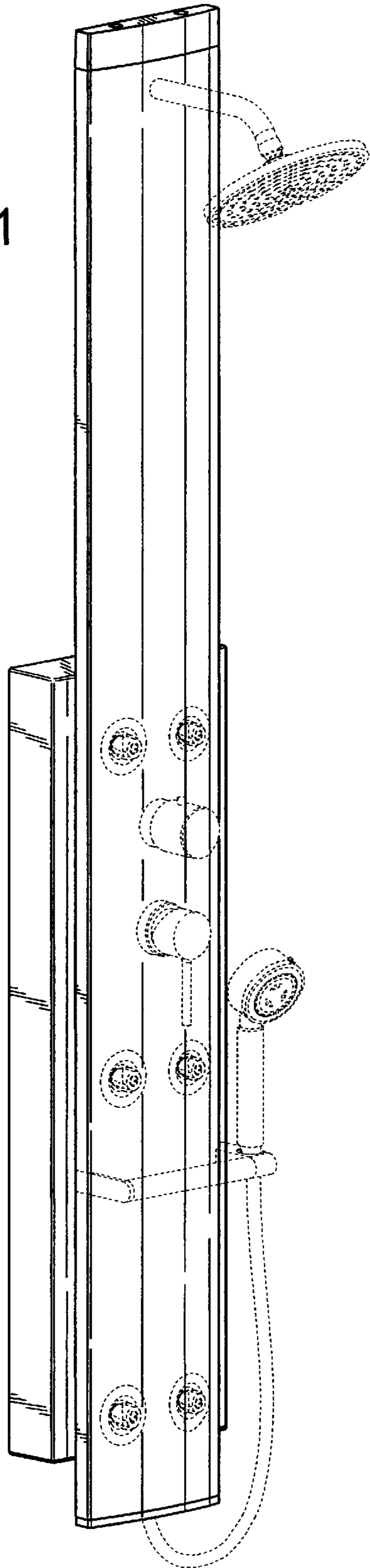


FIG. 2

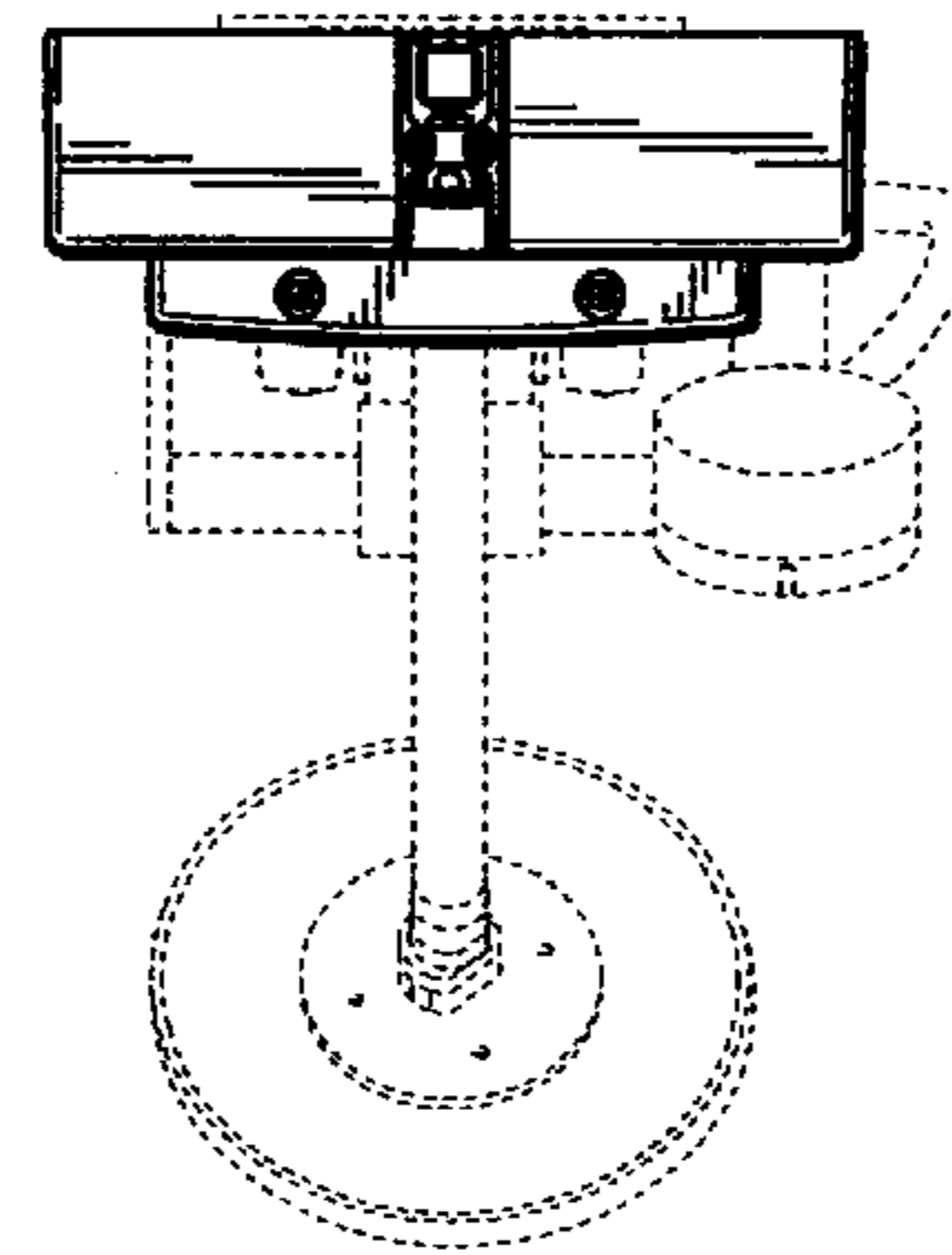


FIG. 3

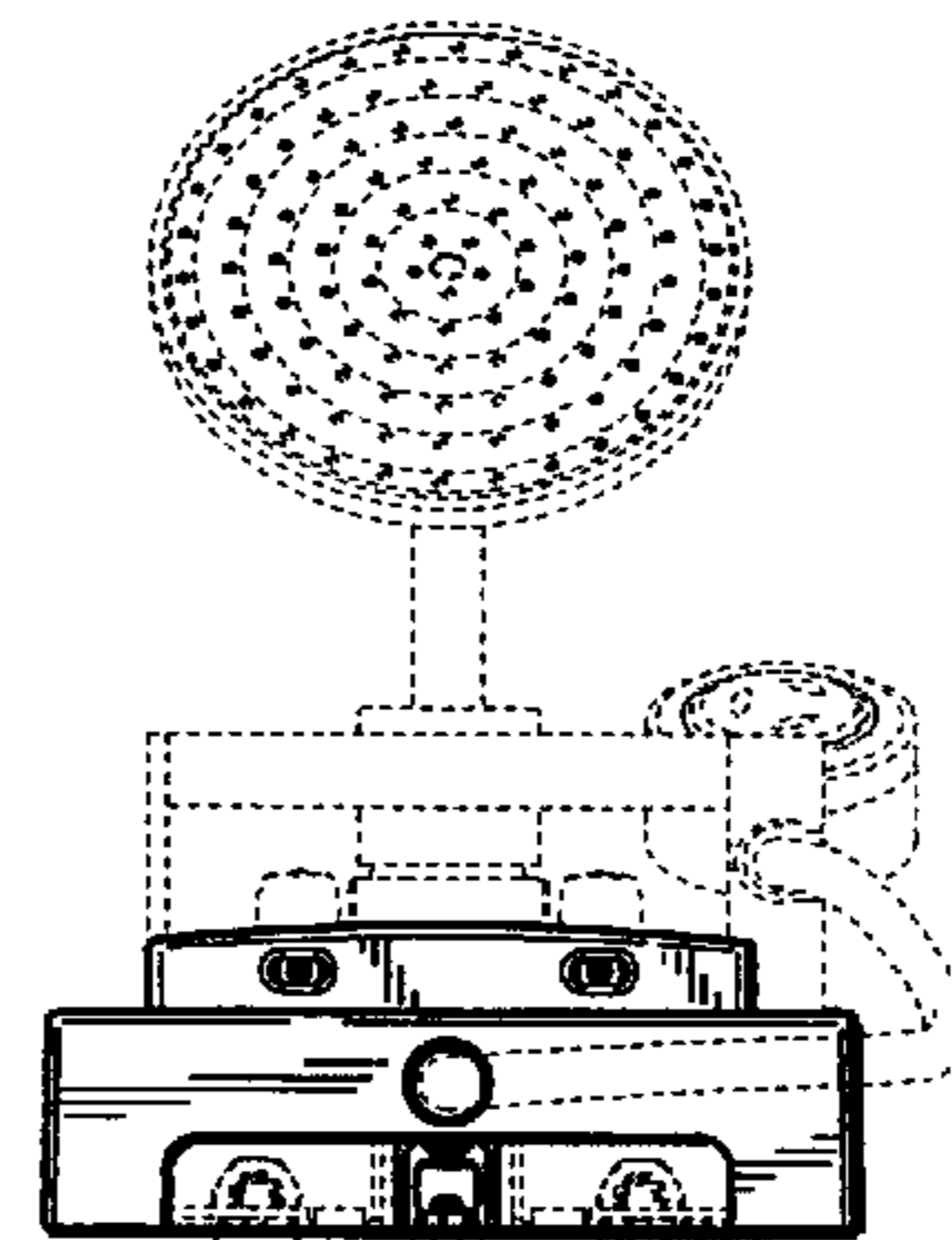


FIG. 4

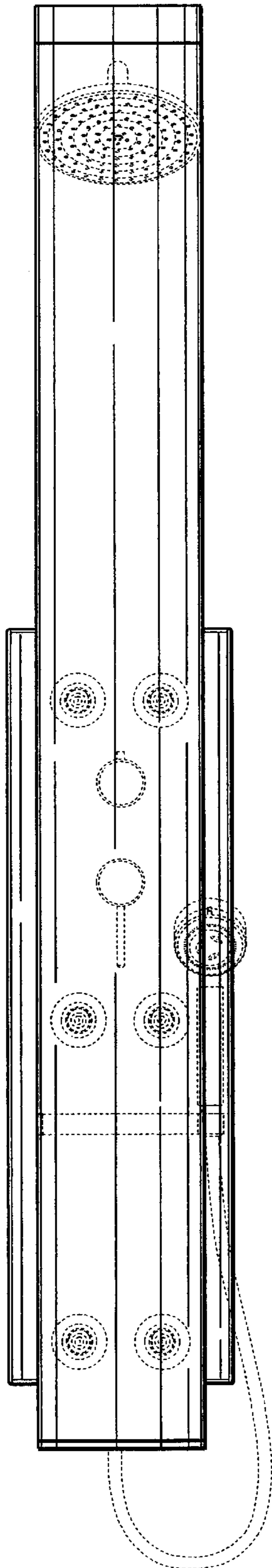


FIG. 5

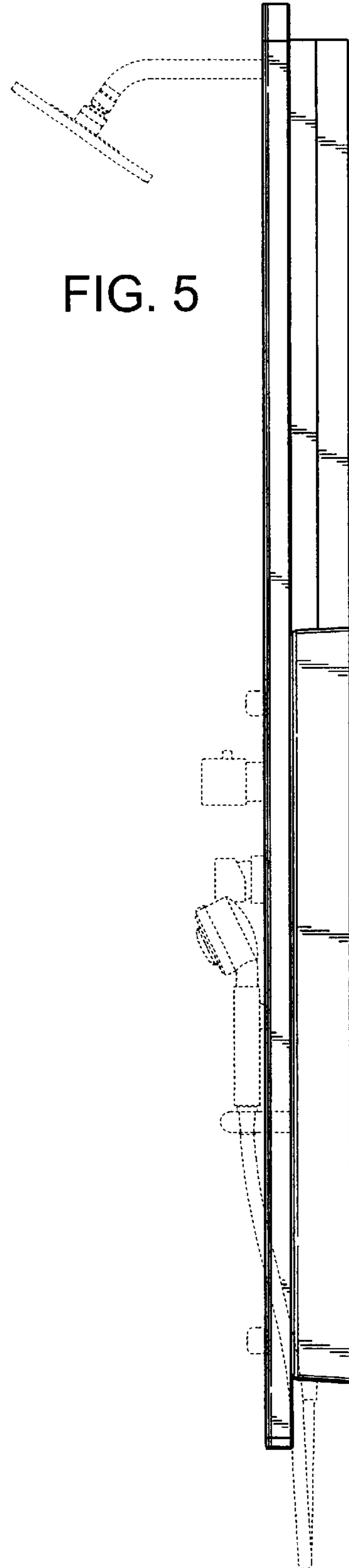


FIG. 6

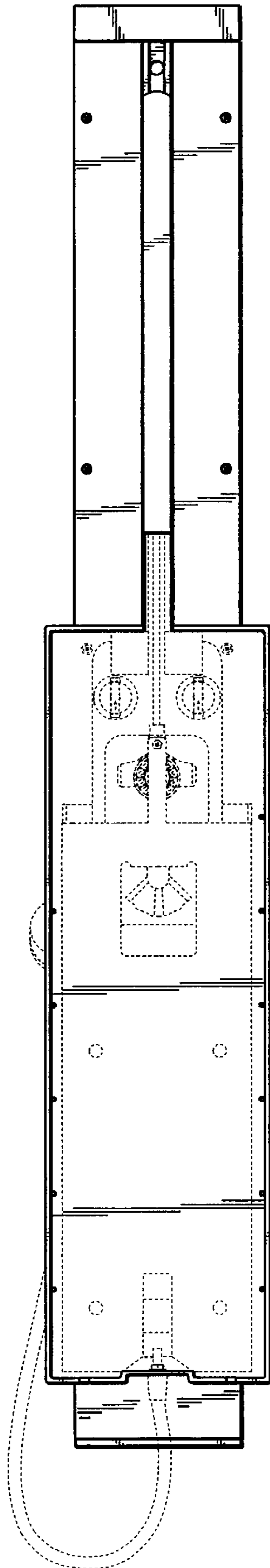


FIG. 7

