



US00D519618S

(12) **United States Design Patent**
Audette et al.

(10) **Patent No.:** **US D519,618 S**

(45) **Date of Patent:** **** Apr. 25, 2006**

(54) **ANTI-SPLASH FLOOR TROUGH**

D327,534 S * 6/1992 Manville et al. D23/261
5,230,188 A * 7/1993 Nurse 52/169.5
D377,389 S 1/1997 Phillips et al.
6,537,448 B1 * 3/2003 Houk 210/164

(75) Inventors: **David M. Audette**, Dover, DE (US);
David C. Dillon, Clayton, DE (US)

(73) Assignee: **Metal Masters Foodservice
Equipment Co., Inc.**, Clayton, DE
(US)

(**) Term: **14 Years**

(21) Appl. No.: **29/206,677**

(22) Filed: **Jun. 2, 2004**

(51) **LOC (8) Cl.** **23-01**

(52) **U.S. Cl.** **D23/261**

(58) **Field of Classification Search** D23/261;
4/286, 289, 507, 679, 680; 210/163, 164
See application file for complete search history.

(56) **References Cited**

U.S. PATENT DOCUMENTS

D237,493 S * 11/1975 Sturm D23/259

* cited by examiner

Primary Examiner—Robin Webster

(74) *Attorney, Agent, or Firm*—Connolly Bove Lodge &
Hutz LLP

(57) **CLAIM**

The ornamental design for an anti-splash floor trough, as shown and described.

DESCRIPTION

FIG. 1 is a front elevational view of an anti-splash floor trough of my new design, the rear elevational view being identical;

FIG. 2 is a right side elevational view thereof, the left side elevational view being identical;

FIG. 3 is a top plan view thereof; and,

FIG. 4 is a bottom plan view thereof.

1 Claim, 2 Drawing Sheets

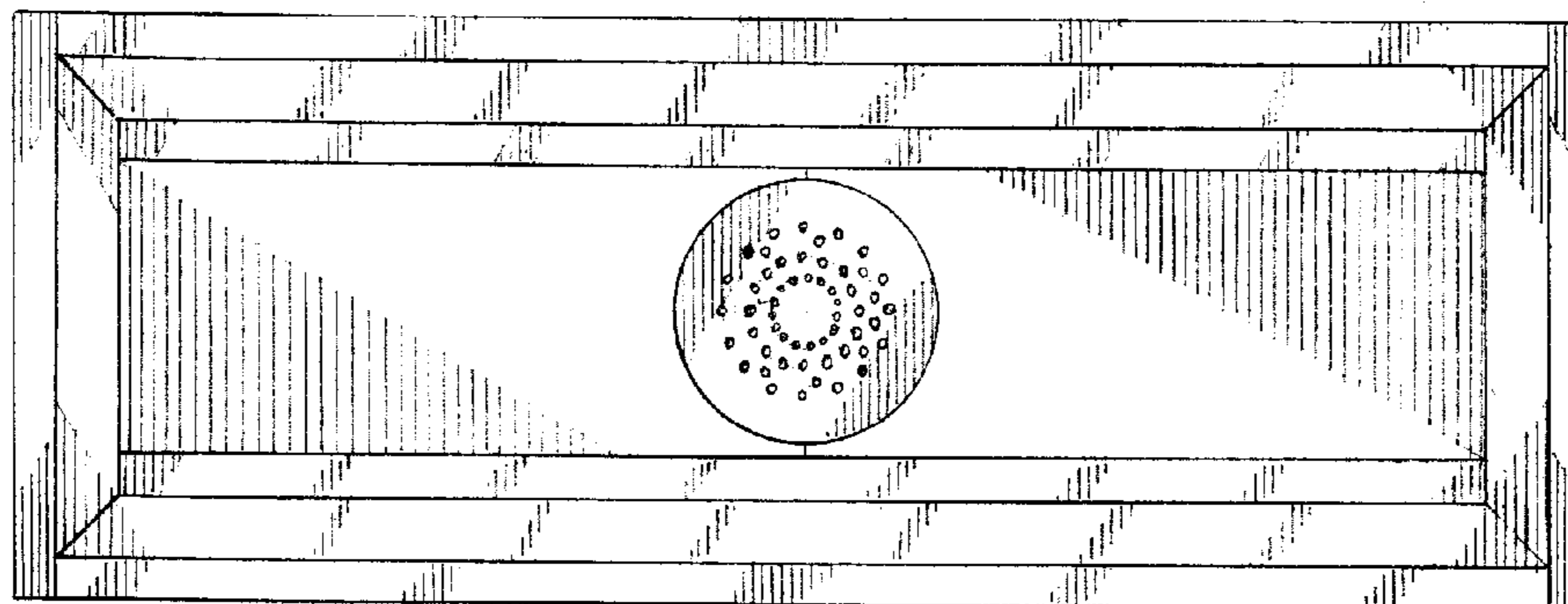
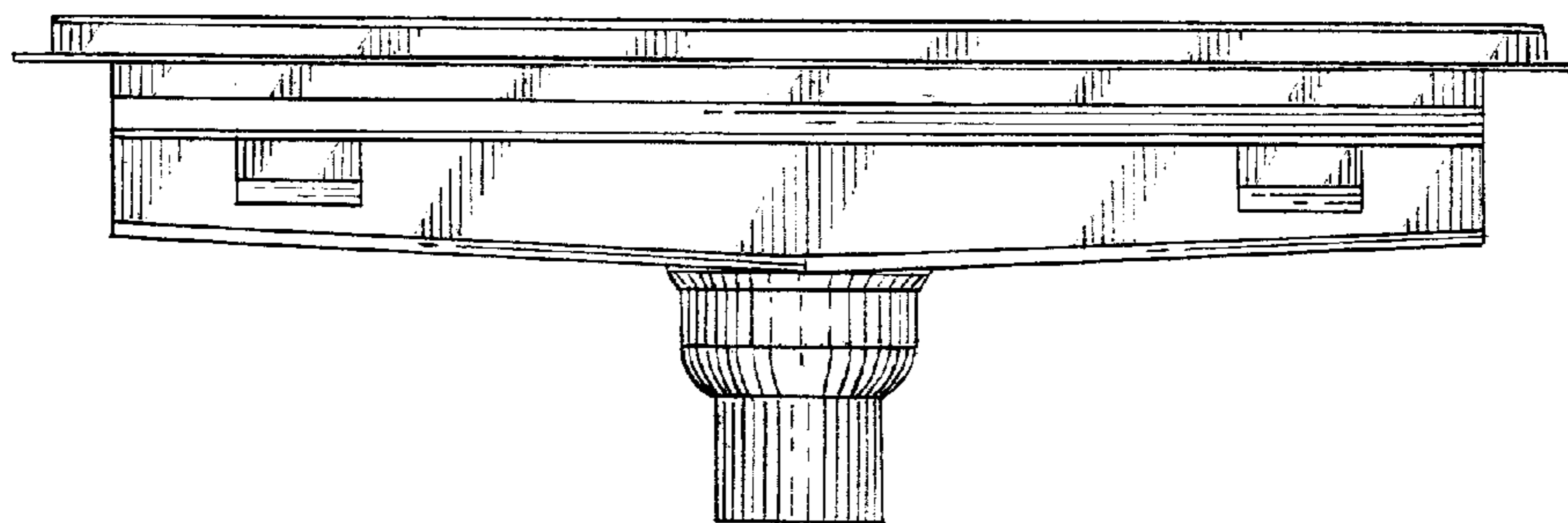


Fig. 3.

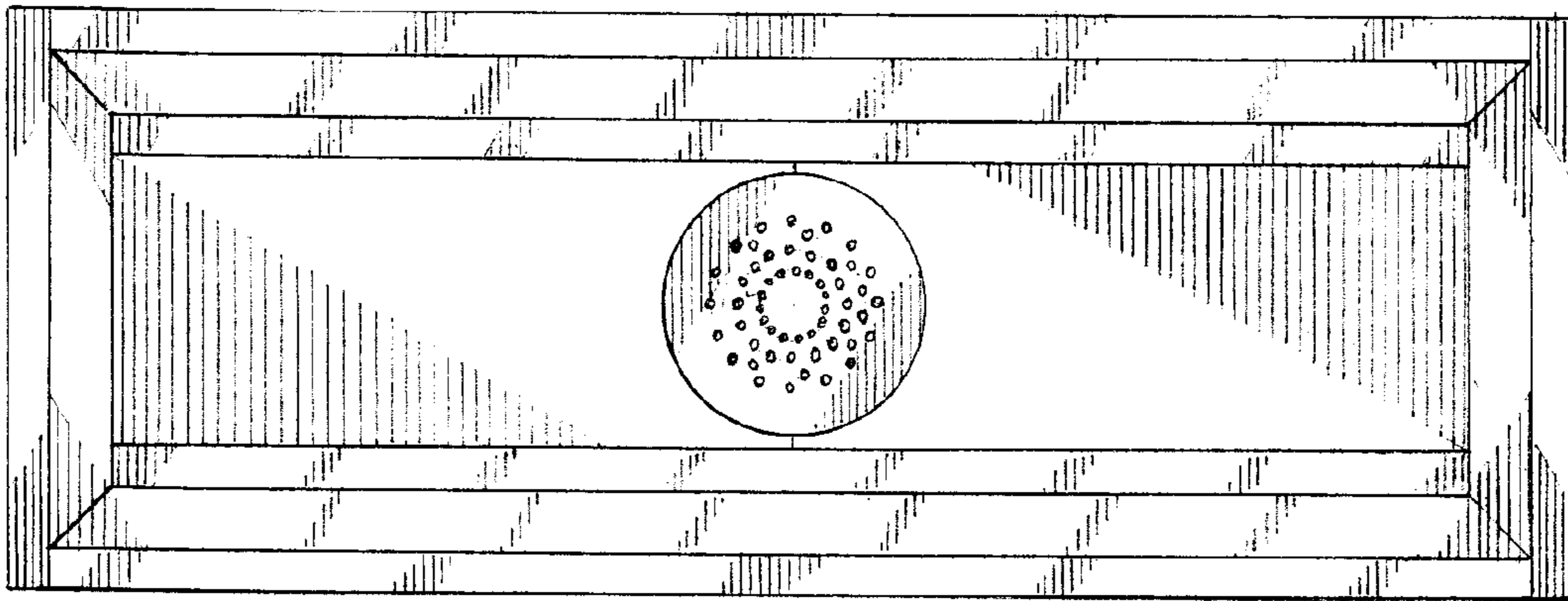


Fig. 1.

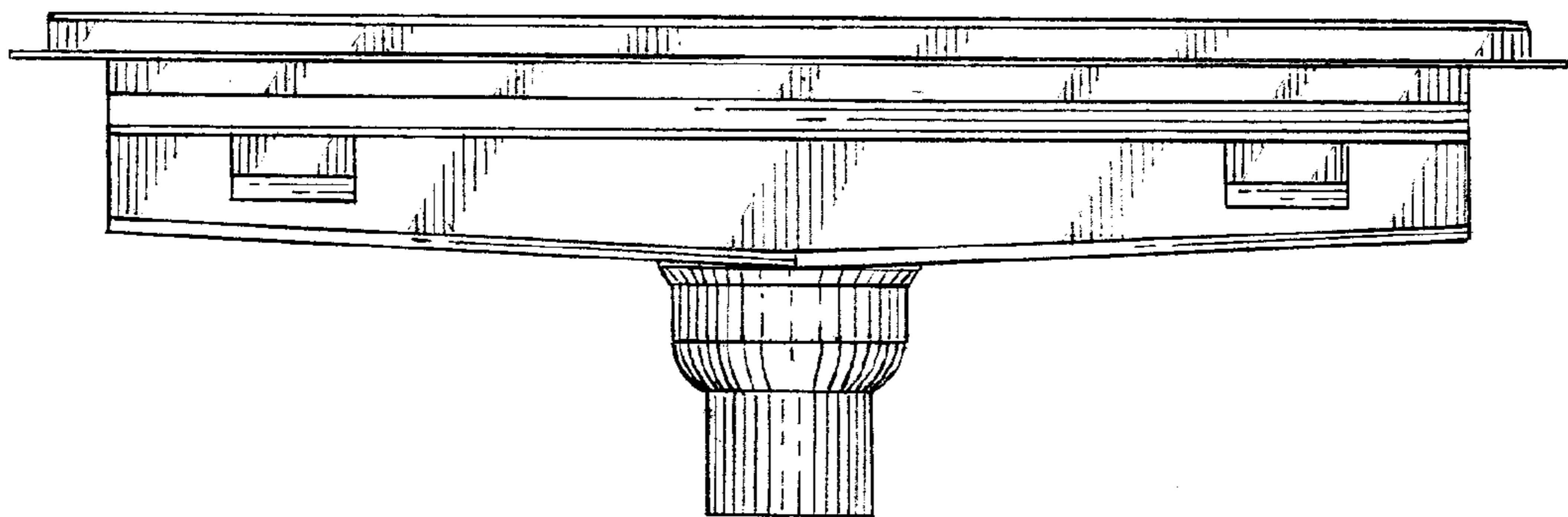


Fig. 4.

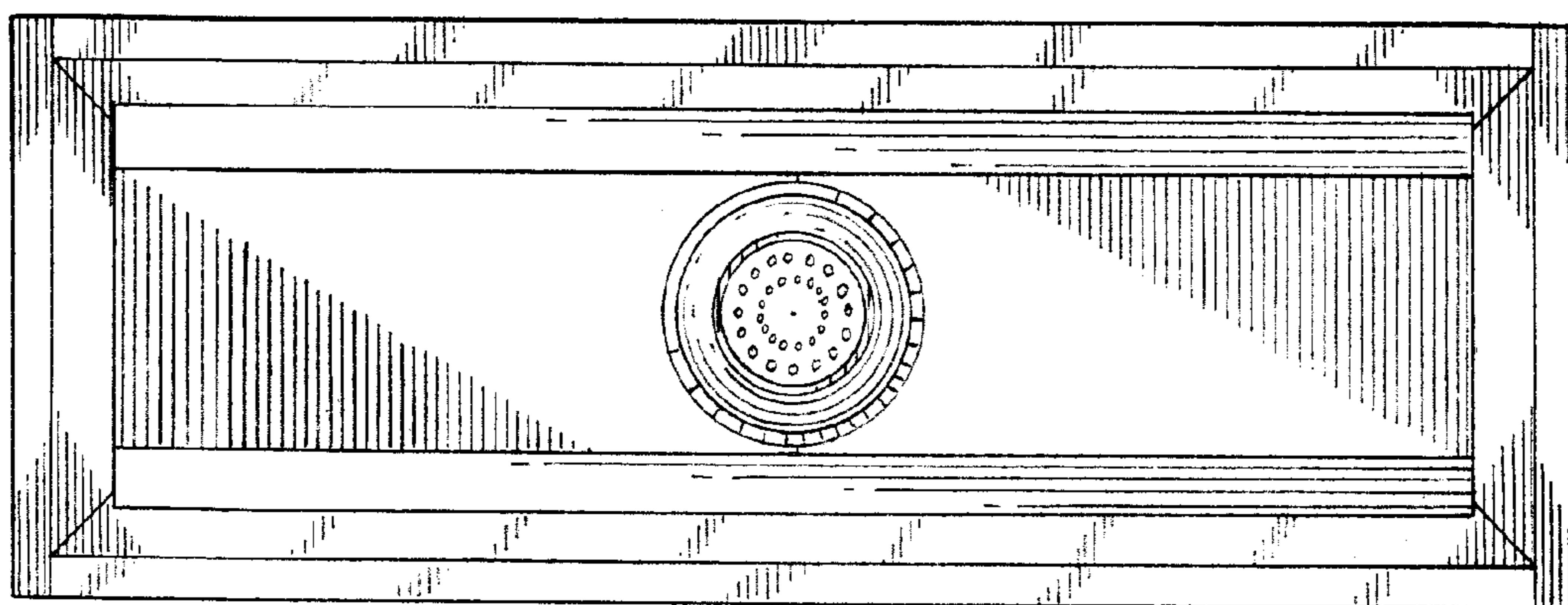


Fig. 2.

