



US00D519606S

(12) **United States Design Patent**
Lin

(10) **Patent No.:** **US D519,606 S**

(45) **Date of Patent:** **** Apr. 25, 2006**

(54) **FAUCET**

(75) **Inventor:** **Shih Hung Lin**, Taichung Export Processing Zone (TW)

(73) **Assignee:** **Globe Union Industrial Corp.**, Taichung (TW)

(**) **Term:** **14 Years**

(21) **Appl. No.:** **29/196,807**

(22) **Filed:** **Jan. 7, 2004**

(51) **LOC (8) Cl.** **23-01**

(52) **U.S. Cl.** **D23/238**

(58) **Field of Classification Search** D23/238-243,
D23/245, 250-257; D8/300-322, 350-353,
D8/DIG. 3; 16/110.1; 4/675-678; 137/801
See application file for complete search history.

(56) **References Cited**

U.S. PATENT DOCUMENTS

D267,110 S * 11/1982 Arnolds D23/242

D350,183 S * 8/1994 Joerger D23/242
D351,455 S * 10/1994 Paul D23/252
D433,736 S * 11/2000 Lord D23/252
D479,871 S * 9/2003 Warshawsky D23/242

* cited by examiner

Primary Examiner—Louis S. Zarfes

Assistant Examiner—Gregory Andoll

(74) *Attorney, Agent, or Firm*—Leong C. Lei

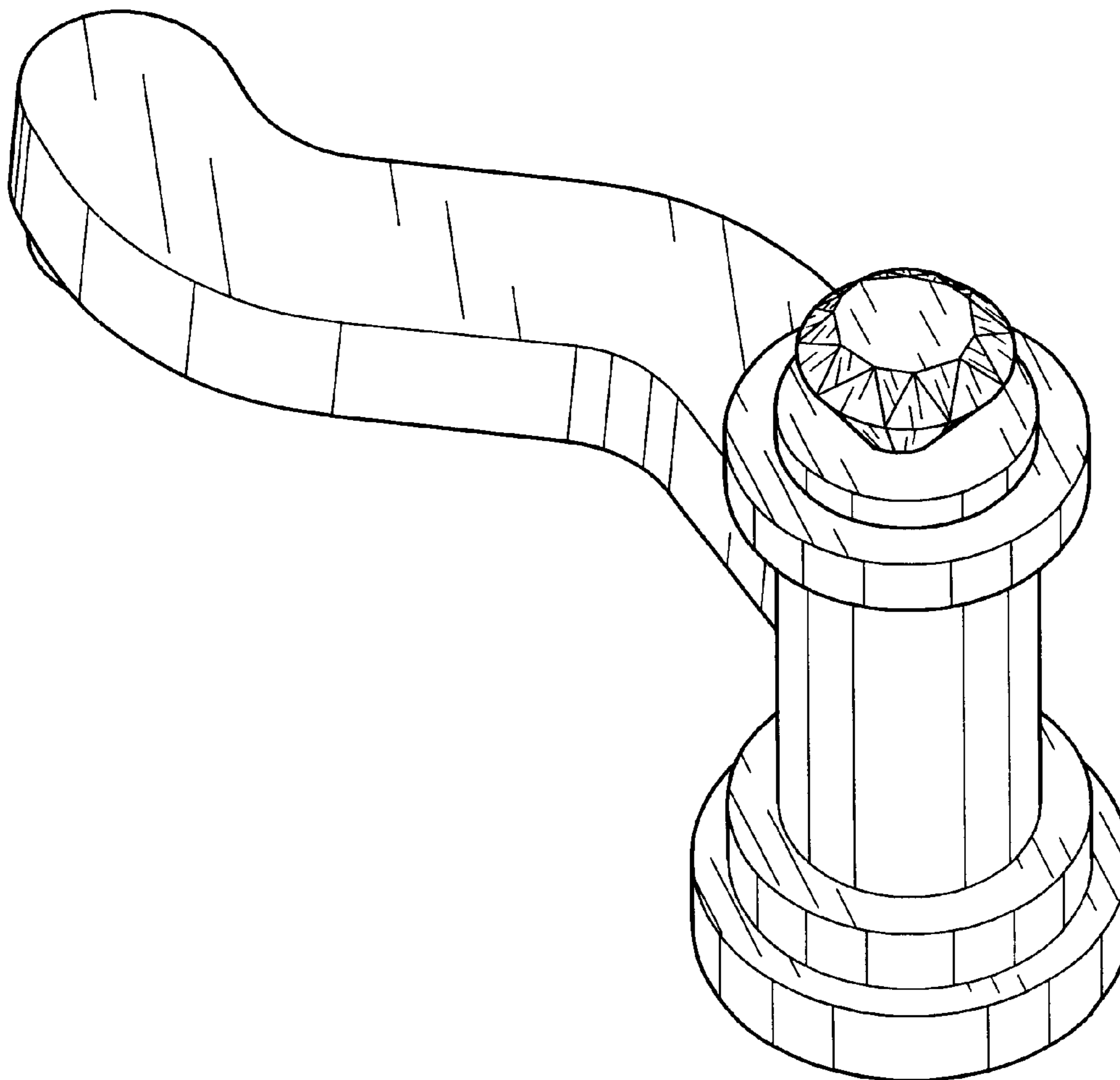
(57) **CLAIM**

The ornamental design for faucet, as shown and described.

DESCRIPTION

FIG. 1 is a perspective view of a faucet showing my new design;
FIG. 2 is a front side elevation view thereof;
FIG. 3 is a rear side elevation view thereof;
FIG. 4 is a right side elevation view thereof;
FIG. 5 is a left side elevation view thereof; and,
FIG. 6 is a top plan view thereof.

1 Claim, 4 Drawing Sheets



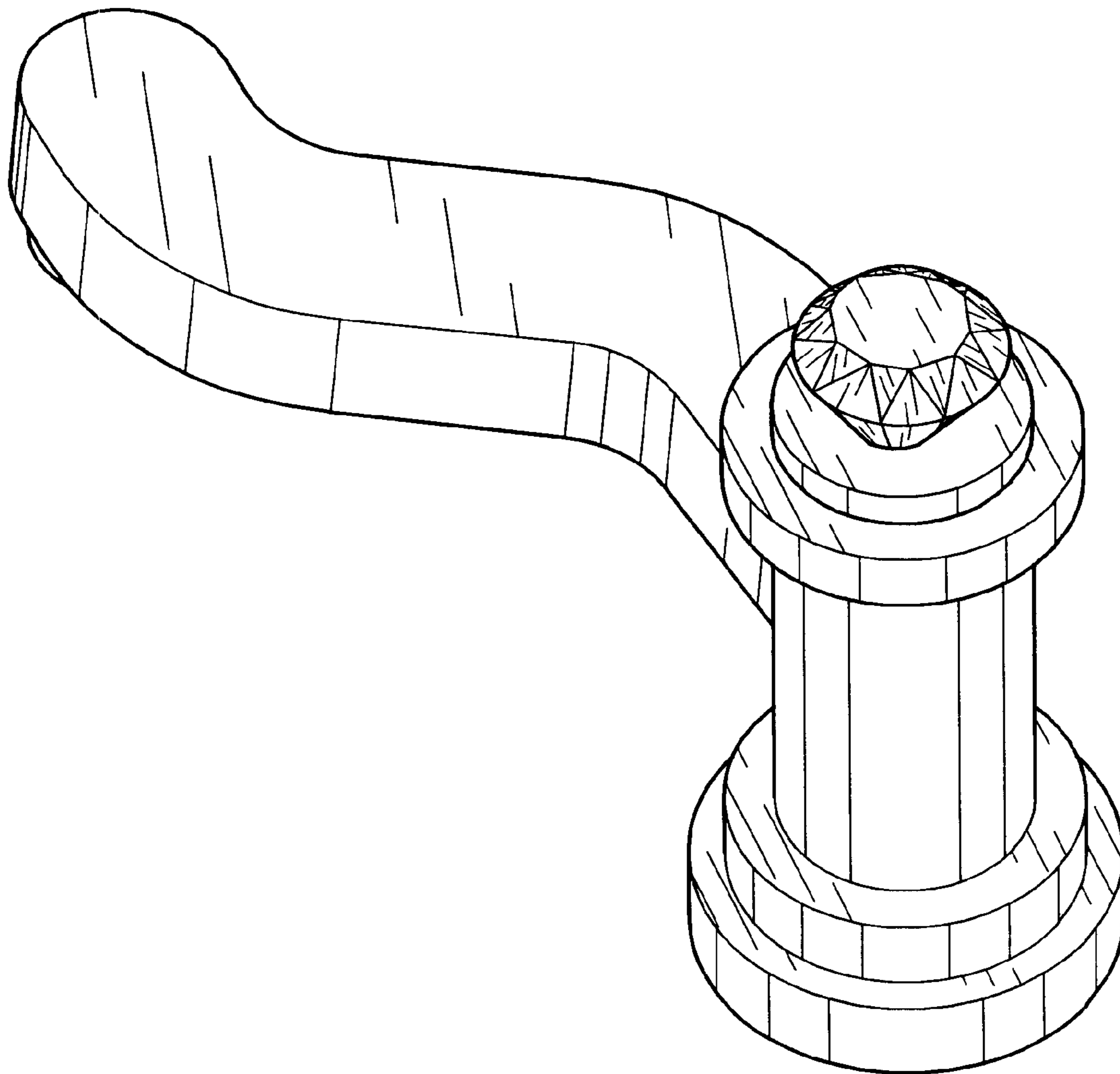


FIG. 1

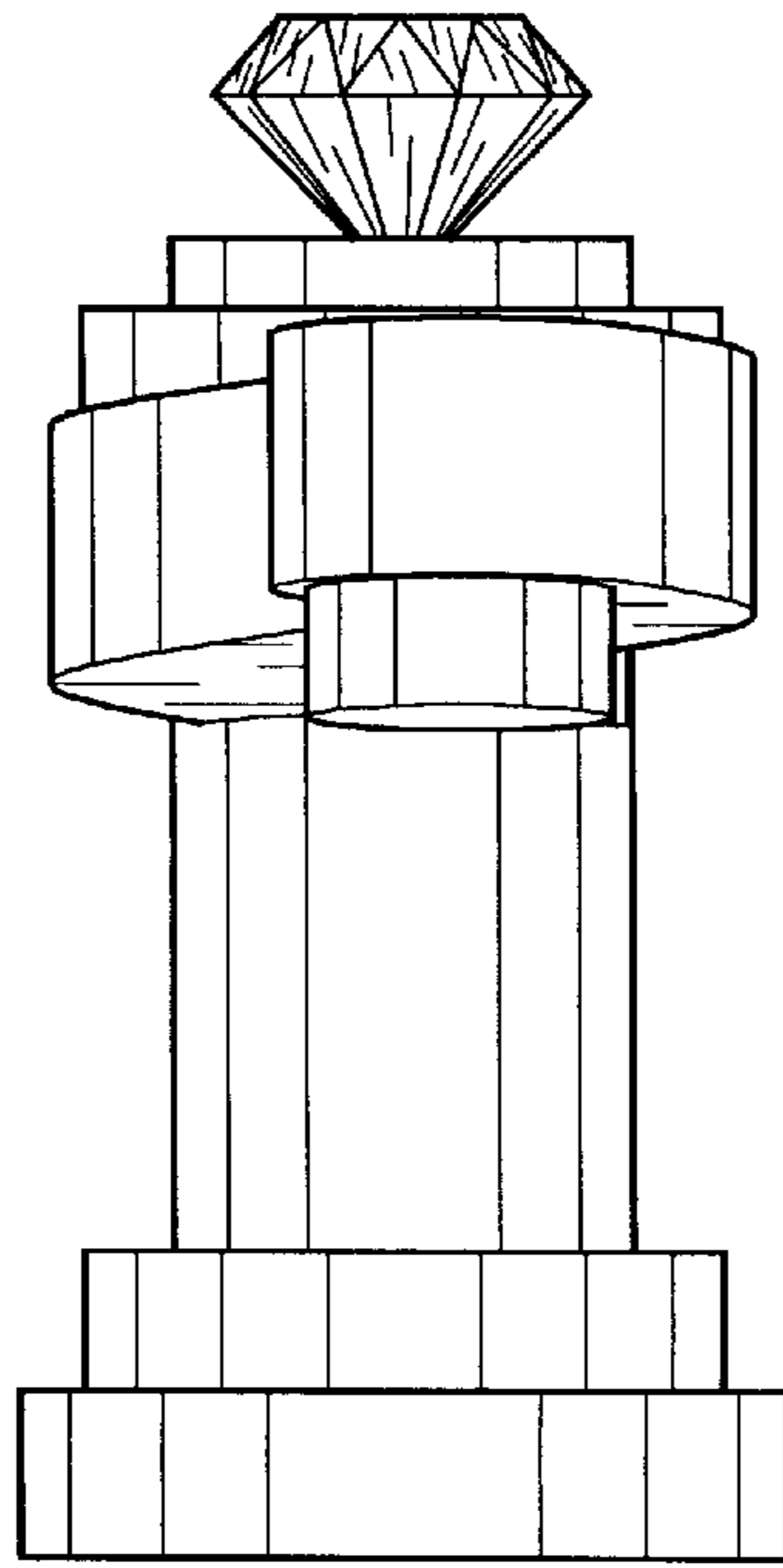


FIG. 2

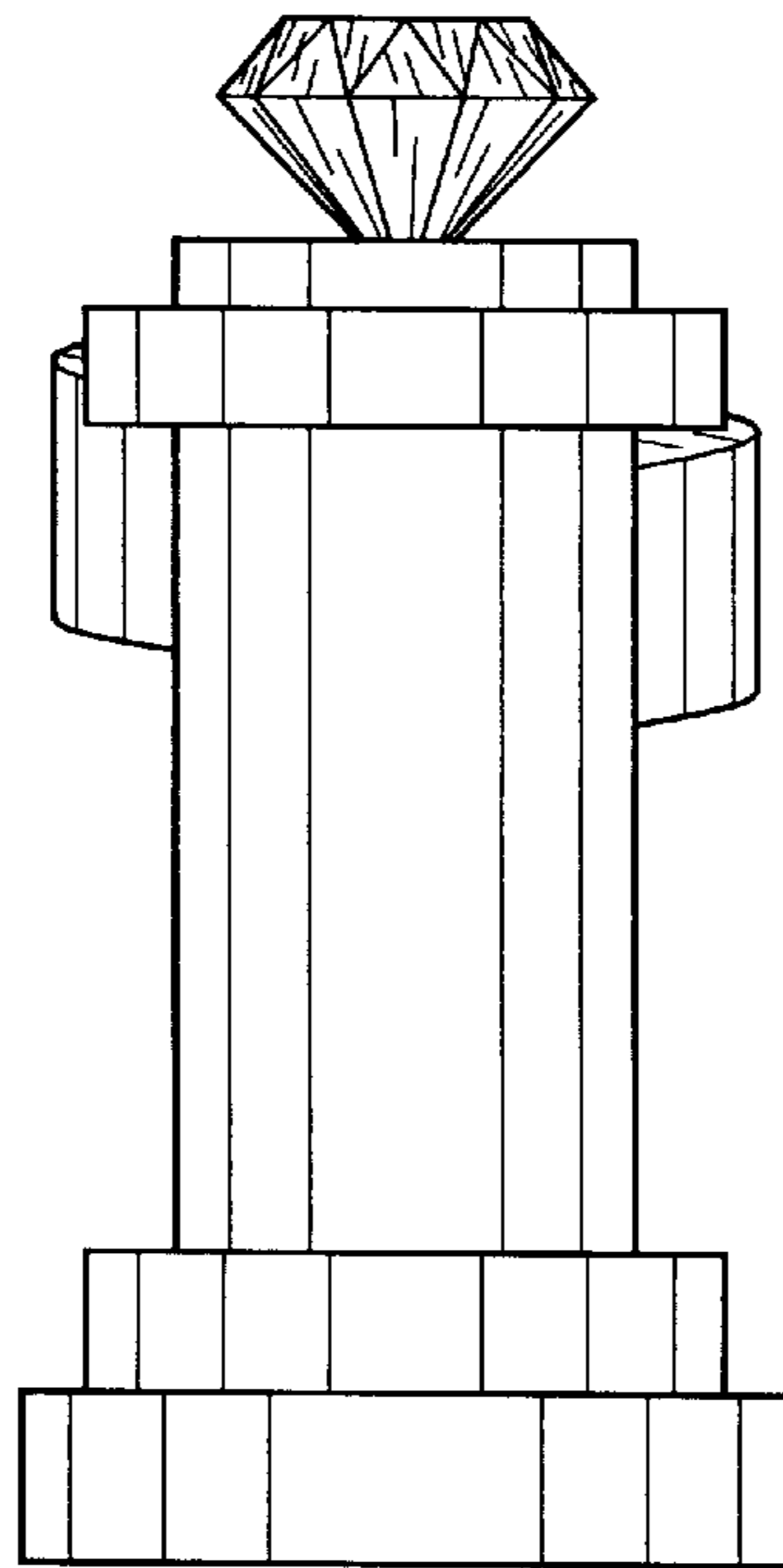


FIG. 3

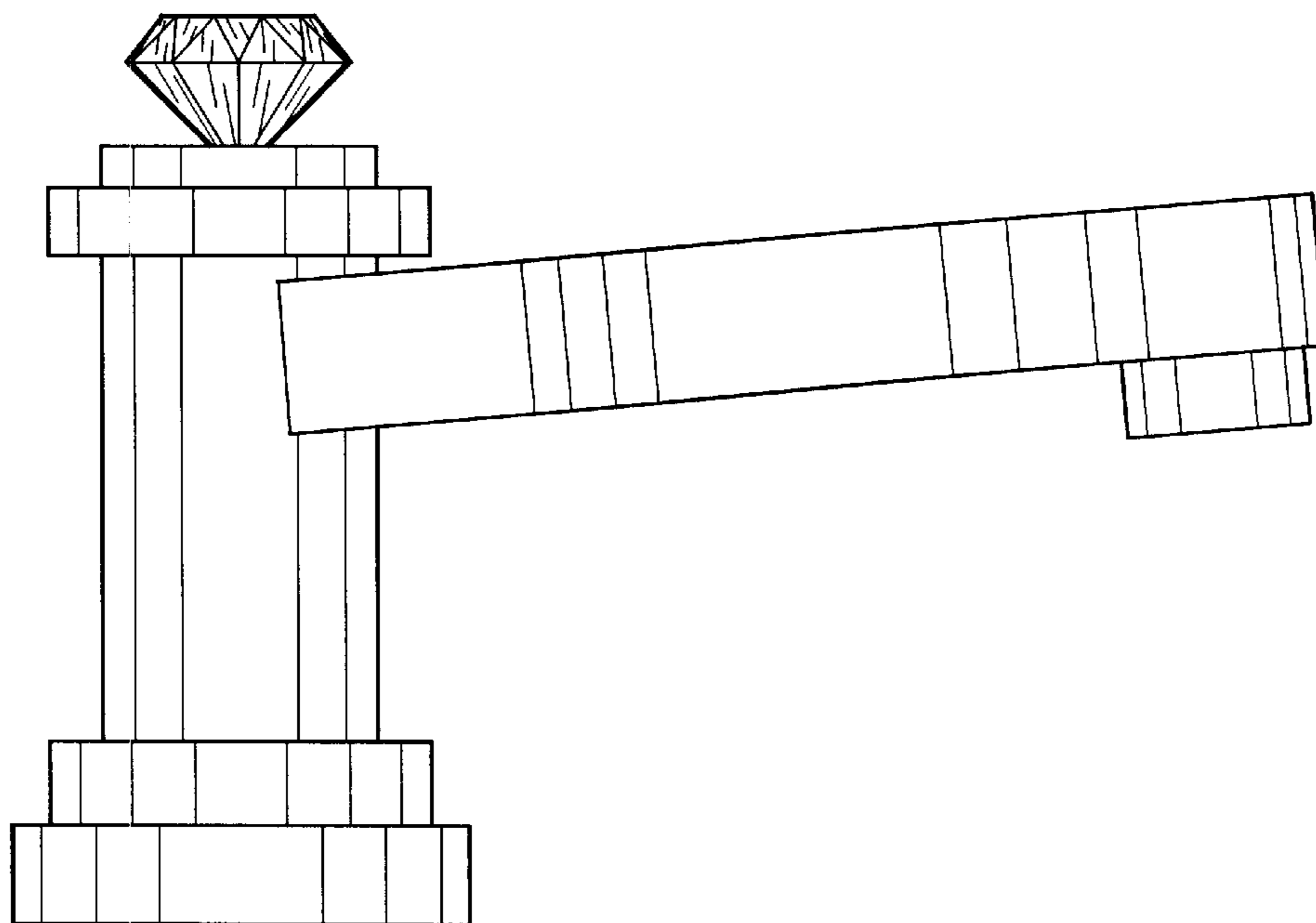


FIG. 4

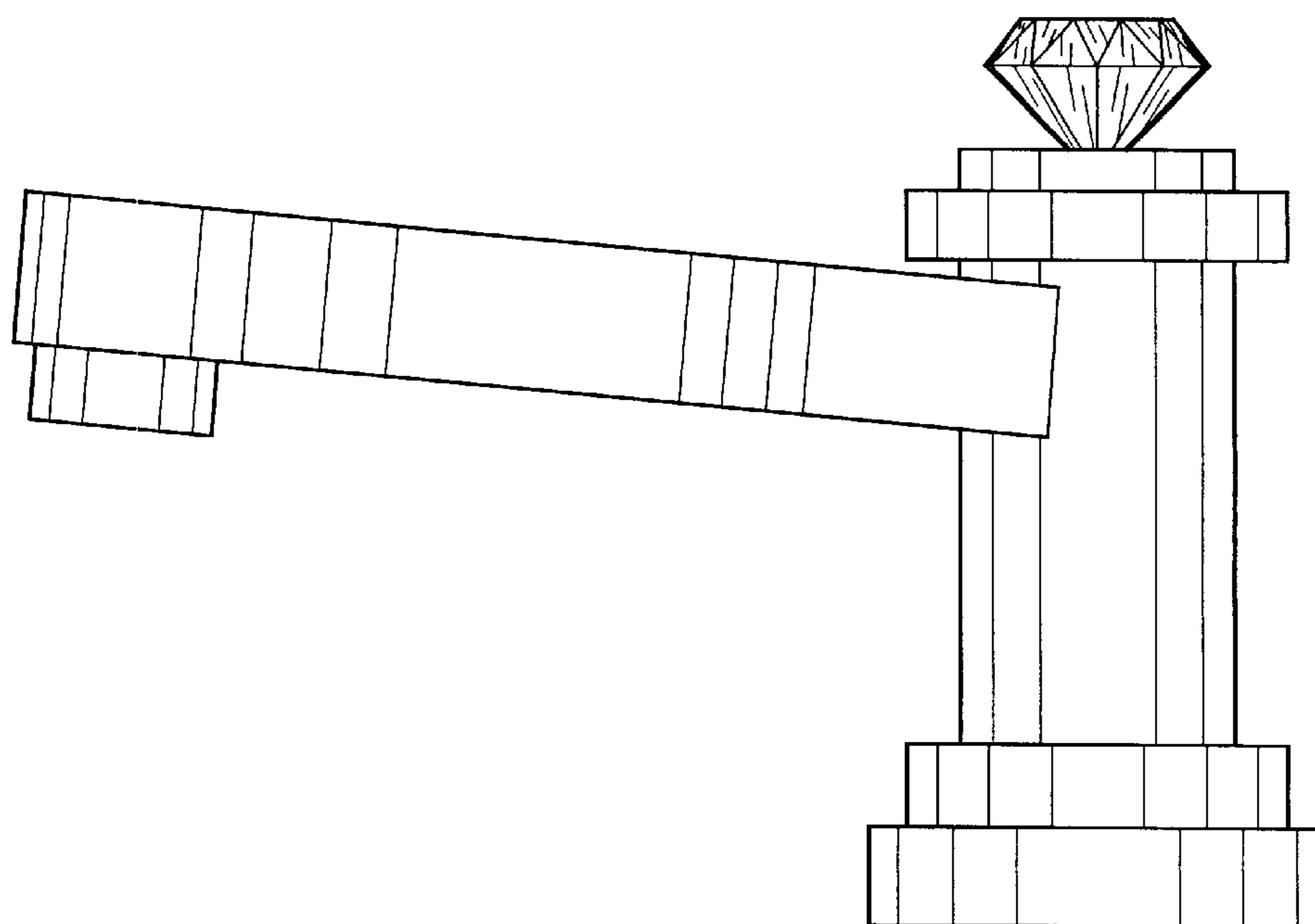


FIG. 5



FIG. 6