



US00D519603S

(12) **United States Design Patent**  
**Schumann et al.**

(10) **Patent No.:** **US D519,603 S**

(45) **Date of Patent:** **\*\* Apr. 25, 2006**

(54) **SPRAY GUN**

(75) Inventors: **Volker Schumann**, Hamburg (DE);  
**Heiko Tullney**, Hamburg (DE)

(73) Assignee: **J. Wagner GmbH**, Markdorf (DE)

(\*\*) Term: **14 Years**

(21) Appl. No.: **29/217,822**

(22) Filed: **Nov. 22, 2004**

(30) **Foreign Application Priority Data**

Jun. 5, 2004 (DE) ..... 4 04 03 447

(51) **LOC (8) Cl.** ..... **23-01**

(52) **U.S. Cl.** ..... **D23/225**

(58) **Field of Classification Search** ..... D23/213,  
D23/225, 223; 239/DIG. 14, 302, 310, 316,  
239/332

See application file for complete search history.

(56) **References Cited**

**U.S. PATENT DOCUMENTS**

4,687,140 A \* 8/1987 Hasegawa ..... 239/332

D467,991 S \* 12/2002 Ibele ..... D23/225  
6,631,855 B1 \* 10/2003 Huang ..... 239/526  
D495,400 S \* 8/2004 Hopper ..... D23/225  
D503,213 S \* 3/2005 Stevens et al. .... D23/225

\* cited by examiner

*Primary Examiner*—Robin V. Webster

(74) *Attorney, Agent, or Firm*—Pandiscio & Pandiscio

(57) **CLAIM**

The ornamental design for a spray gun, as shown.

**DESCRIPTION**

FIG. 1 is a perspective view of a spray gun showing our new design;

FIG. 2 is a left side elevational view thereof;

FIG. 3 is a right side elevational view thereof;

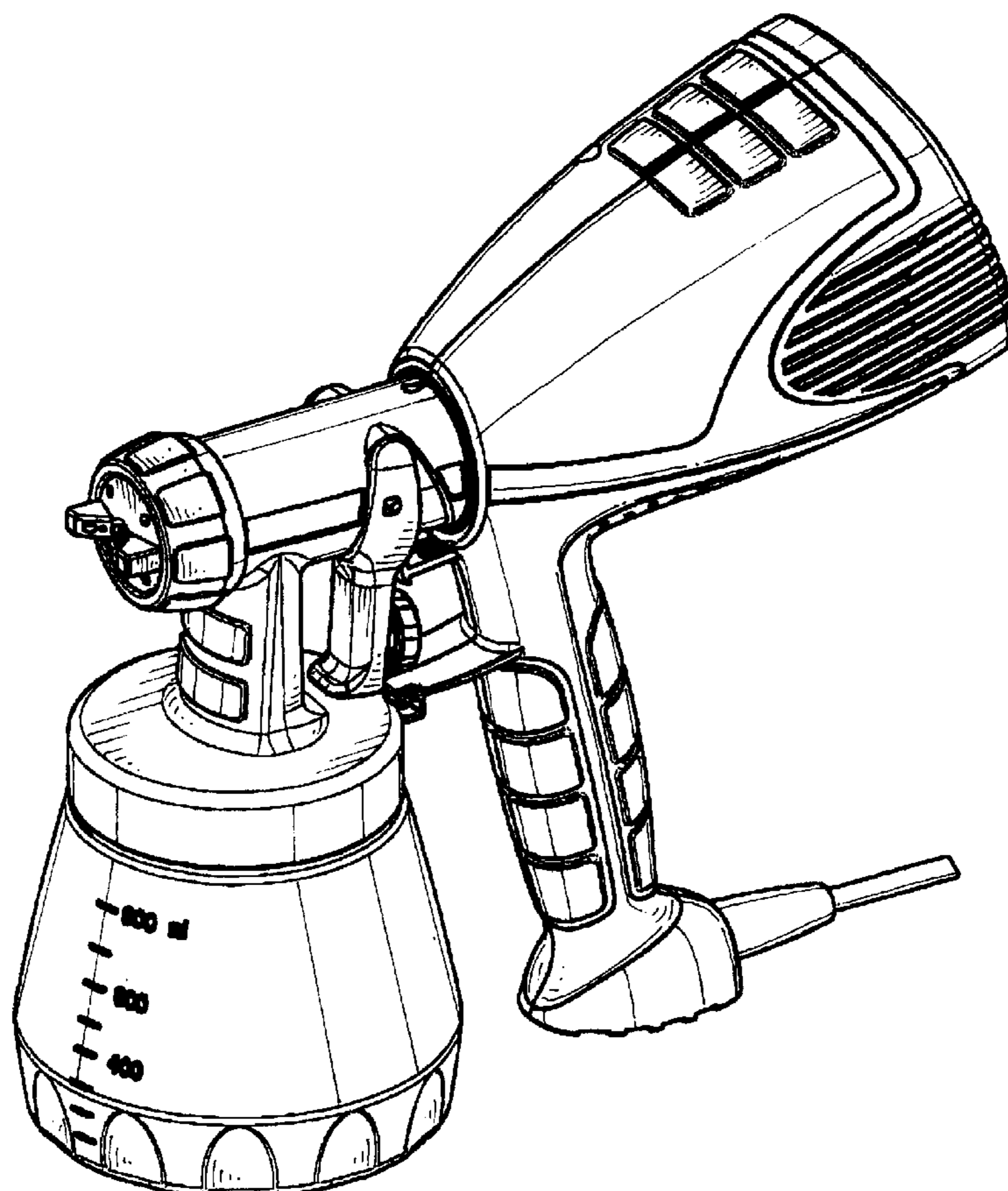
FIG. 4 is a front elevational view thereof;

FIG. 5 is a rear elevational view thereof;

FIG. 6 is a top plan view thereof; and,

FIG. 7 is a bottom view thereof.

**1 Claim, 7 Drawing Sheets**



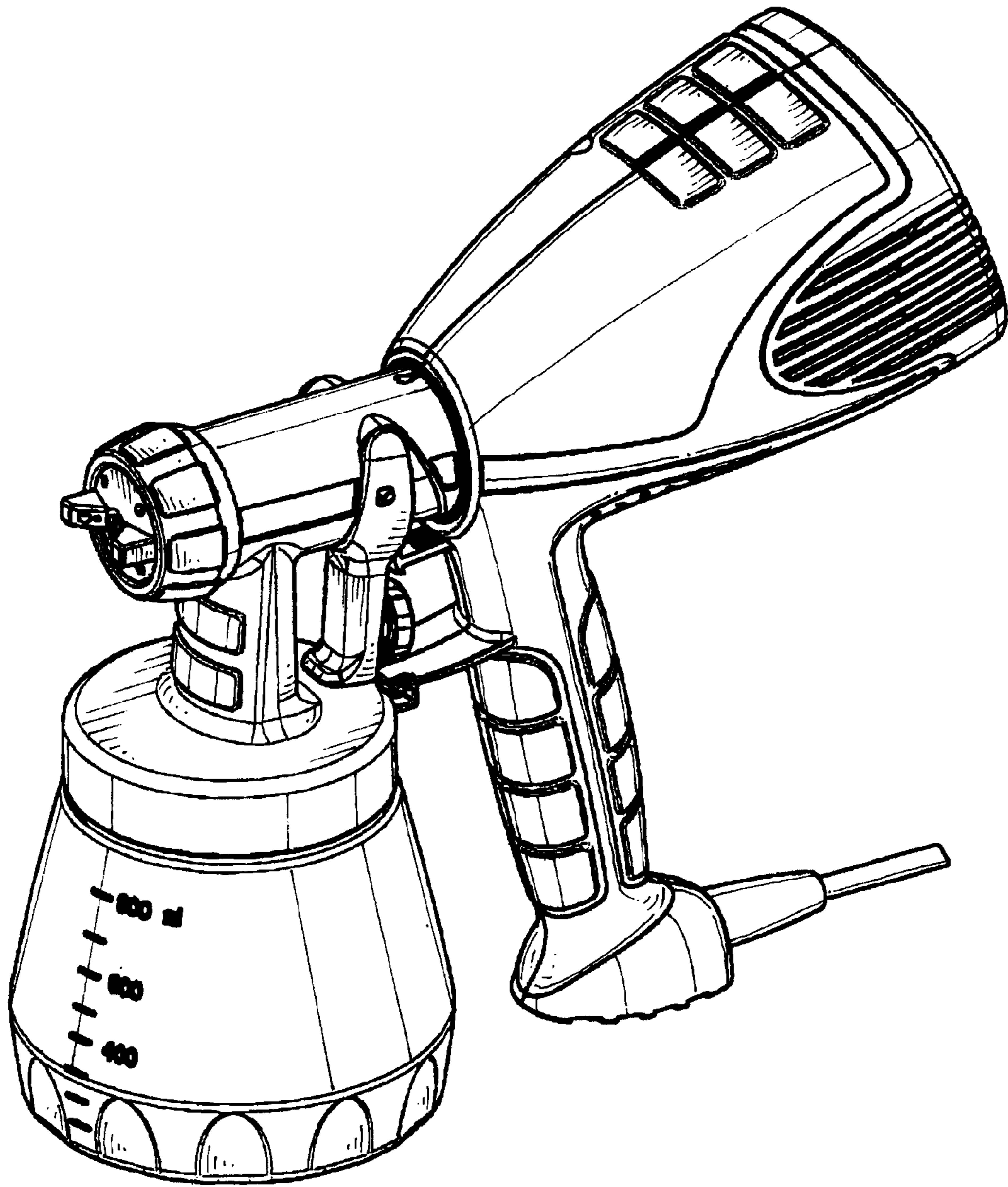


FIG. 1

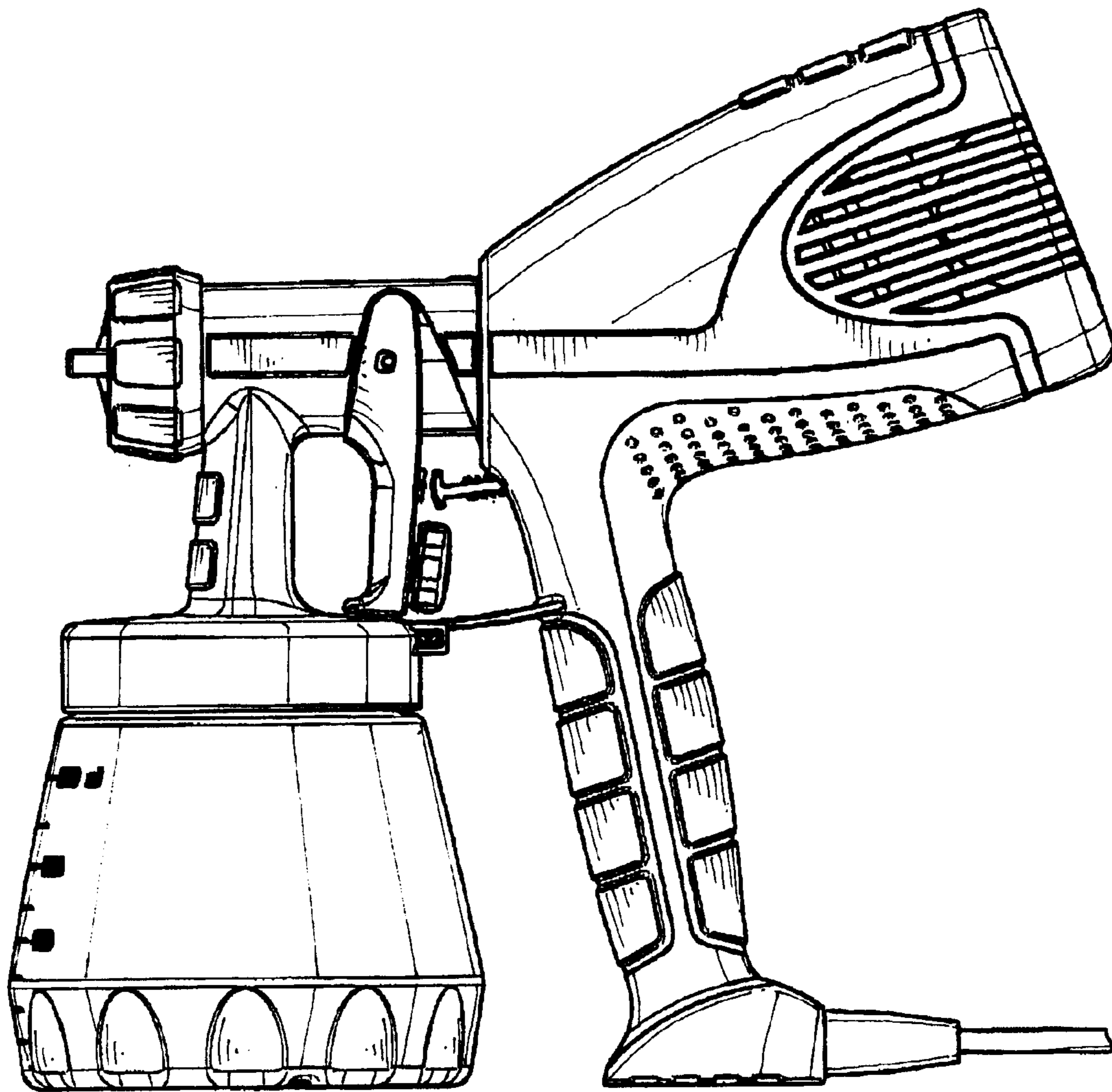


FIG. 2

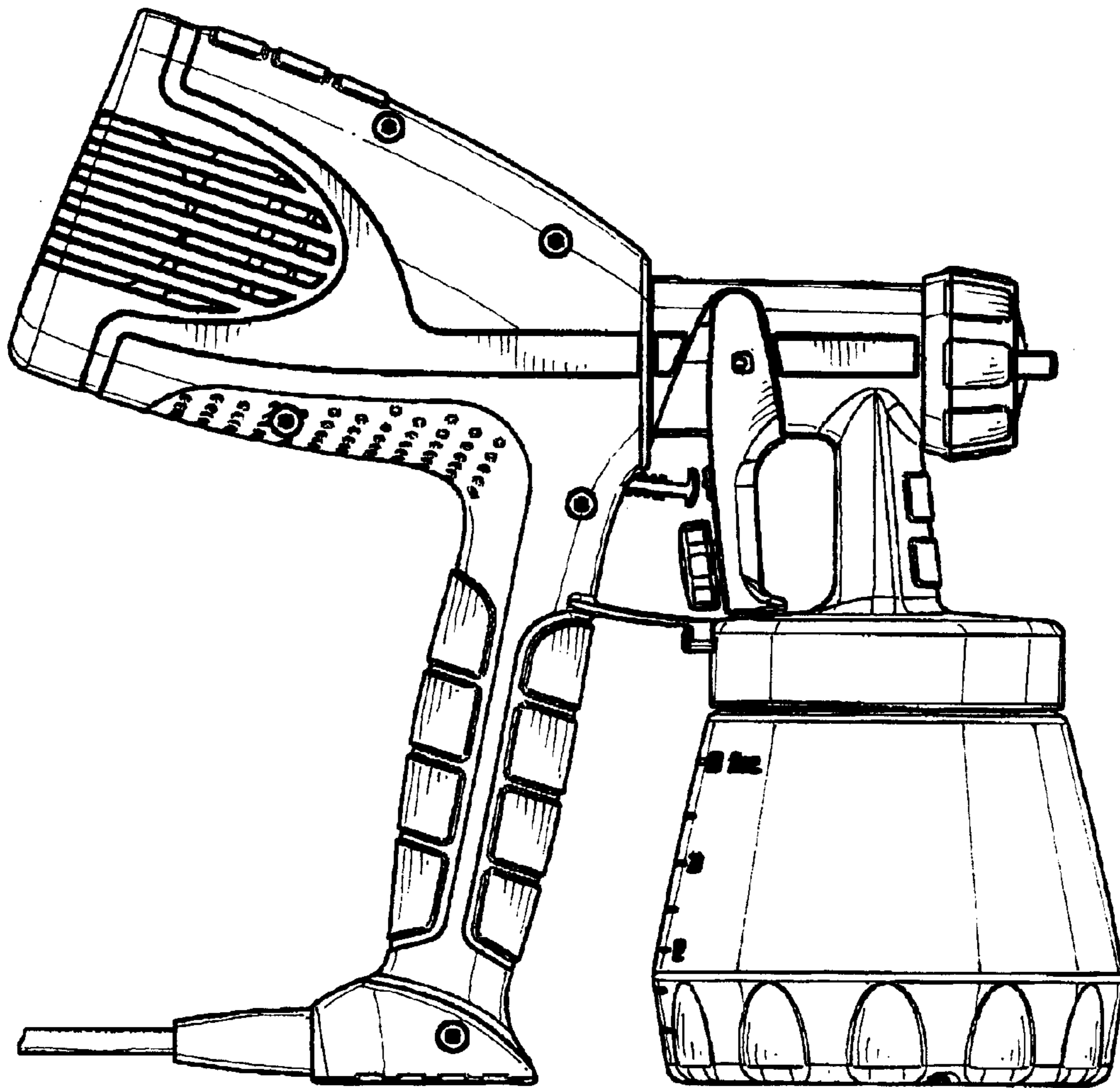


FIG. 3



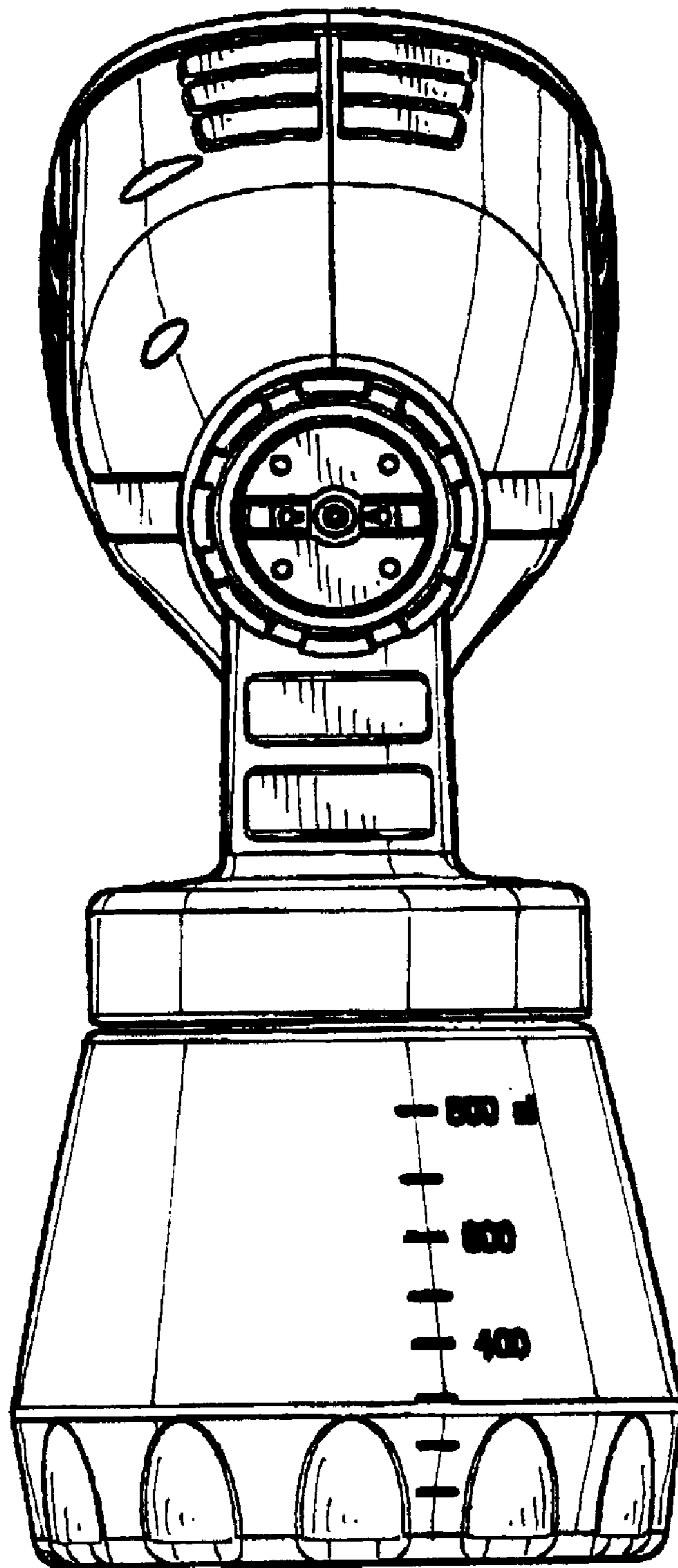


FIG. 4

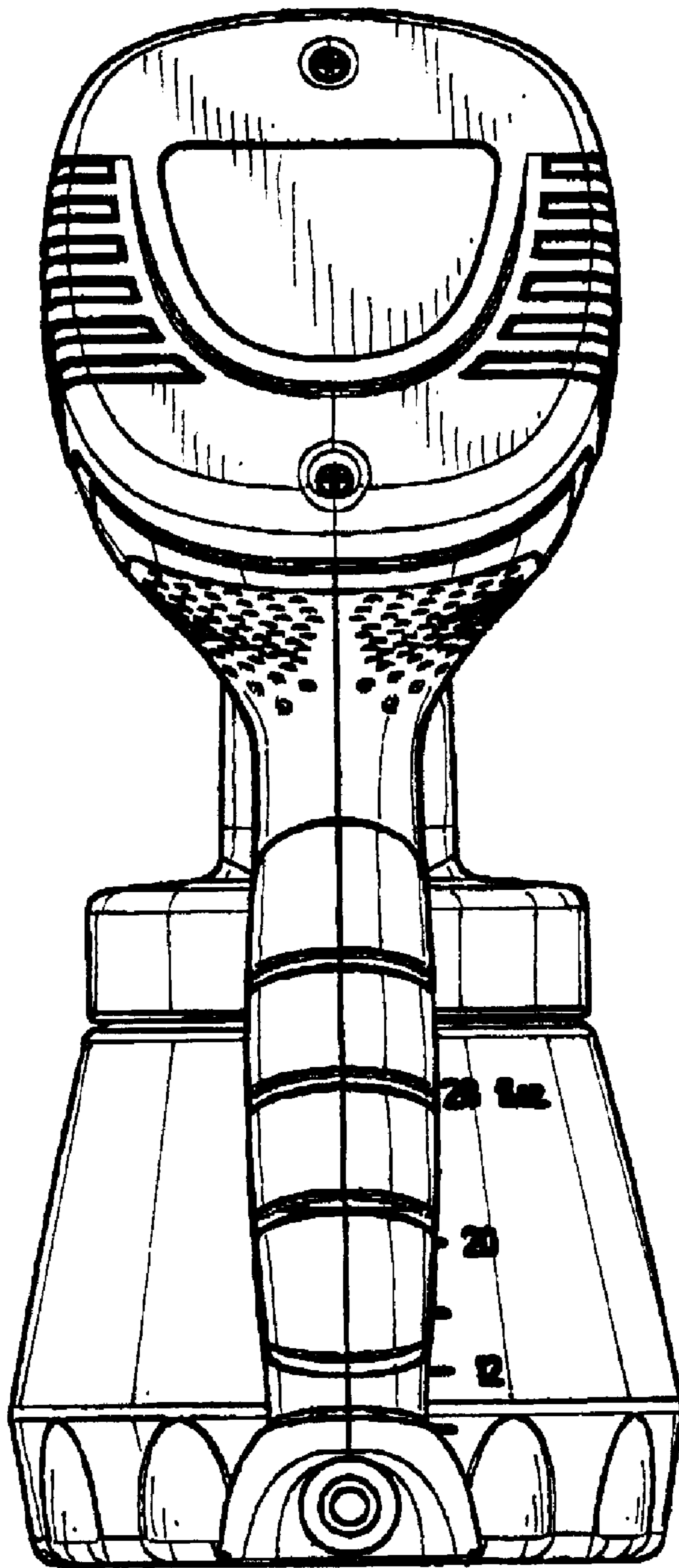


FIG. 5

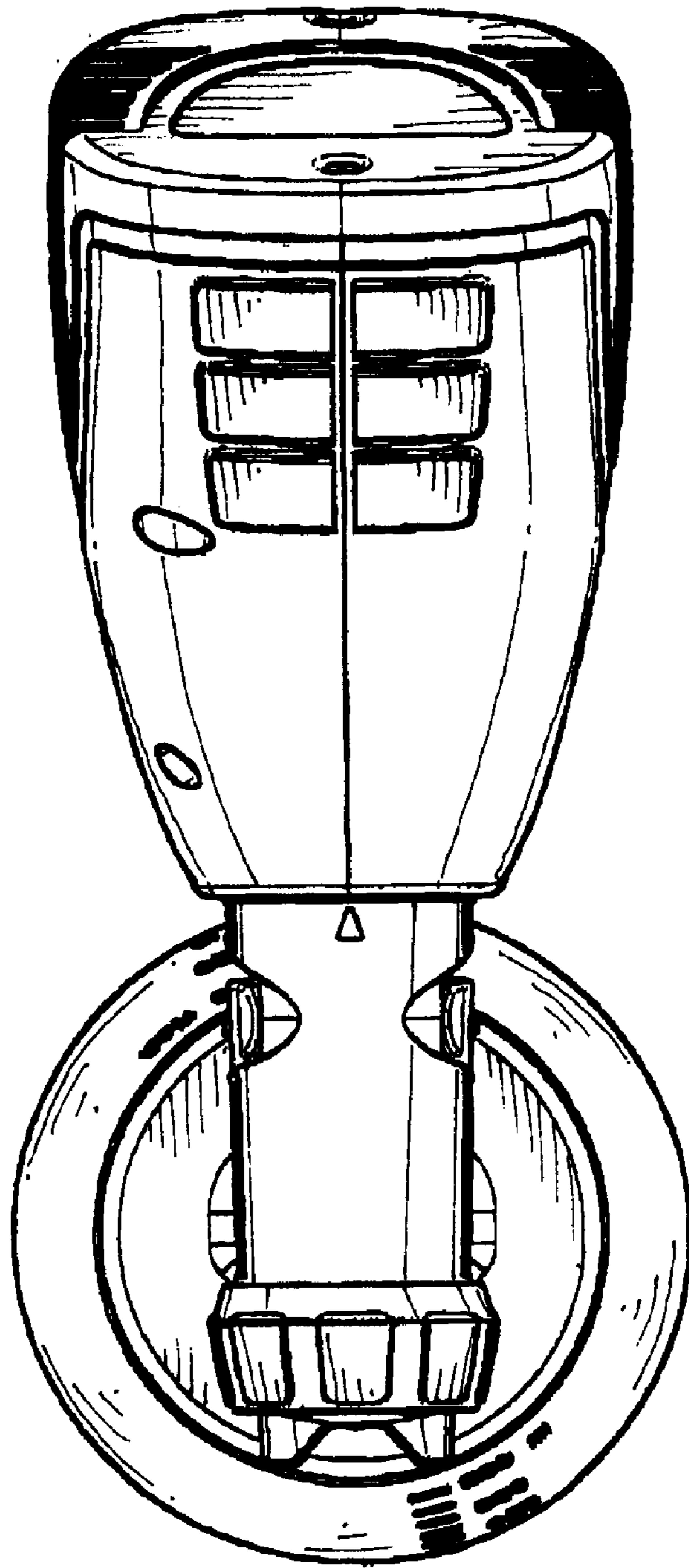


FIG. 6

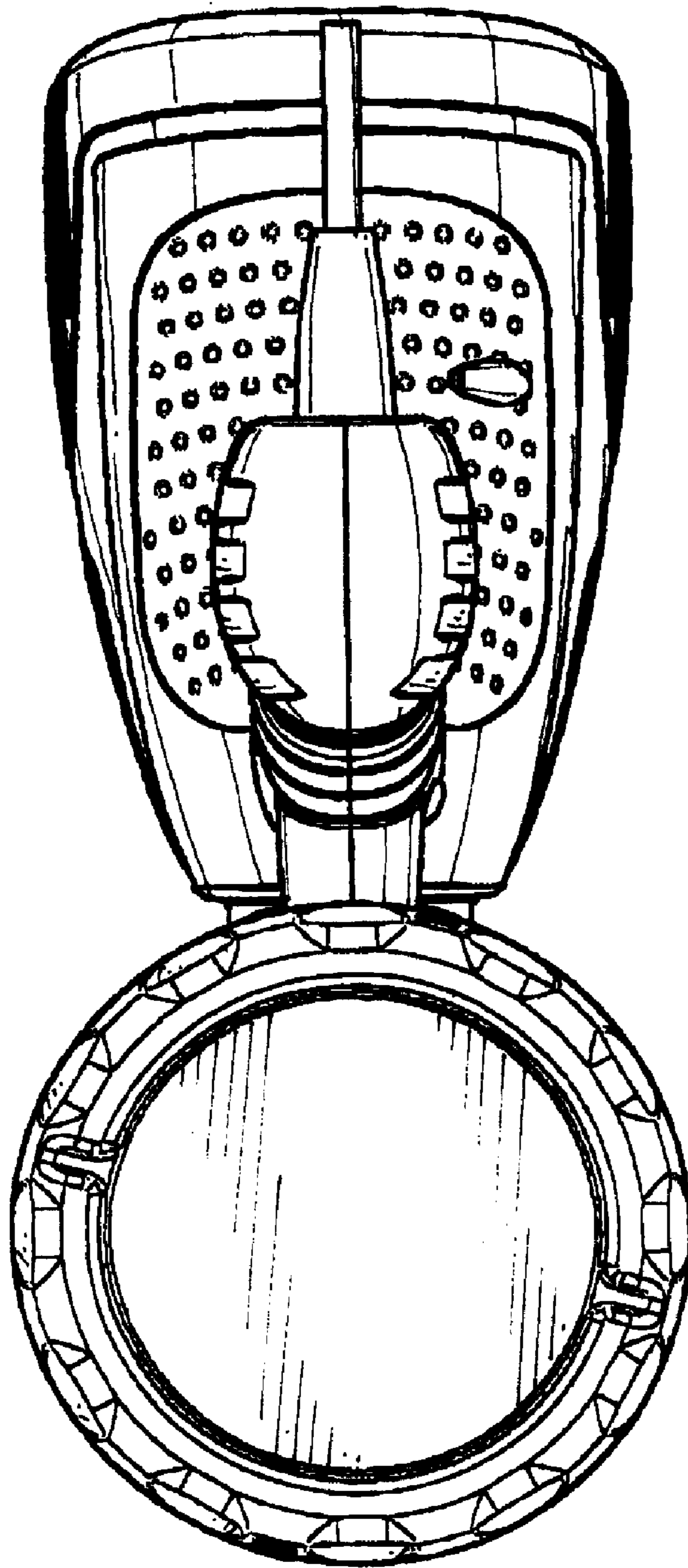


FIG. 7