



US00D519602S

(12) **United States Design Patent**  
**Dodd**

(10) **Patent No.:** **US D519,602 S**  
(45) **Date of Patent:** **\*\* Apr. 25, 2006**

(54) **HOSE-END SPRAYER**

(75) Inventor: **Joseph K. Dodd**, Lee's Summit, MO  
(US)

(73) Assignee: **Saint-Gobain Calmar Inc.**, City of  
Industry, CA (US)

(\*\*) Term: **14 Years**

(21) Appl. No.: **29/215,973**

(22) Filed: **Oct. 28, 2004**

(51) **LOC (8) Cl.** ..... **23-01**

(52) **U.S. Cl.** ..... **D23/213**

(58) **Field of Classification Search** ..... D23/213,  
D23/225; 239/302, 310, 316, 318  
See application file for complete search history.

(56) **References Cited**

**U.S. PATENT DOCUMENTS**

D289,675 S \* 5/1987 Beal et al. .... D23/225

D433,095 S \* 10/2000 Beaver et al. .... D23/213  
D451,581 S \* 12/2001 Shanklin et al. .... D23/225  
D466,584 S \* 12/2002 Hubmann et al. .... D23/213  
D480,124 S \* 9/2003 Hubmann et al. .... D23/213

\* cited by examiner

*Primary Examiner*—Robin V. Webster

(74) *Attorney, Agent, or Firm*—Gordon & Jacobson, P.C.

(57) **CLAIM**

The ornamental design for a hose-end sprayer, as shown and described.

**DESCRIPTION**

FIG. 1 is a top of plan view of a hose-end sprayer showing my new design;

FIG. 2 is a right side elevational view;

FIG. 3 is a left side elevational view;

FIG. 4 is a front view; and,

FIG. 5 is a rear view.

**1 Claim, 2 Drawing Sheets**

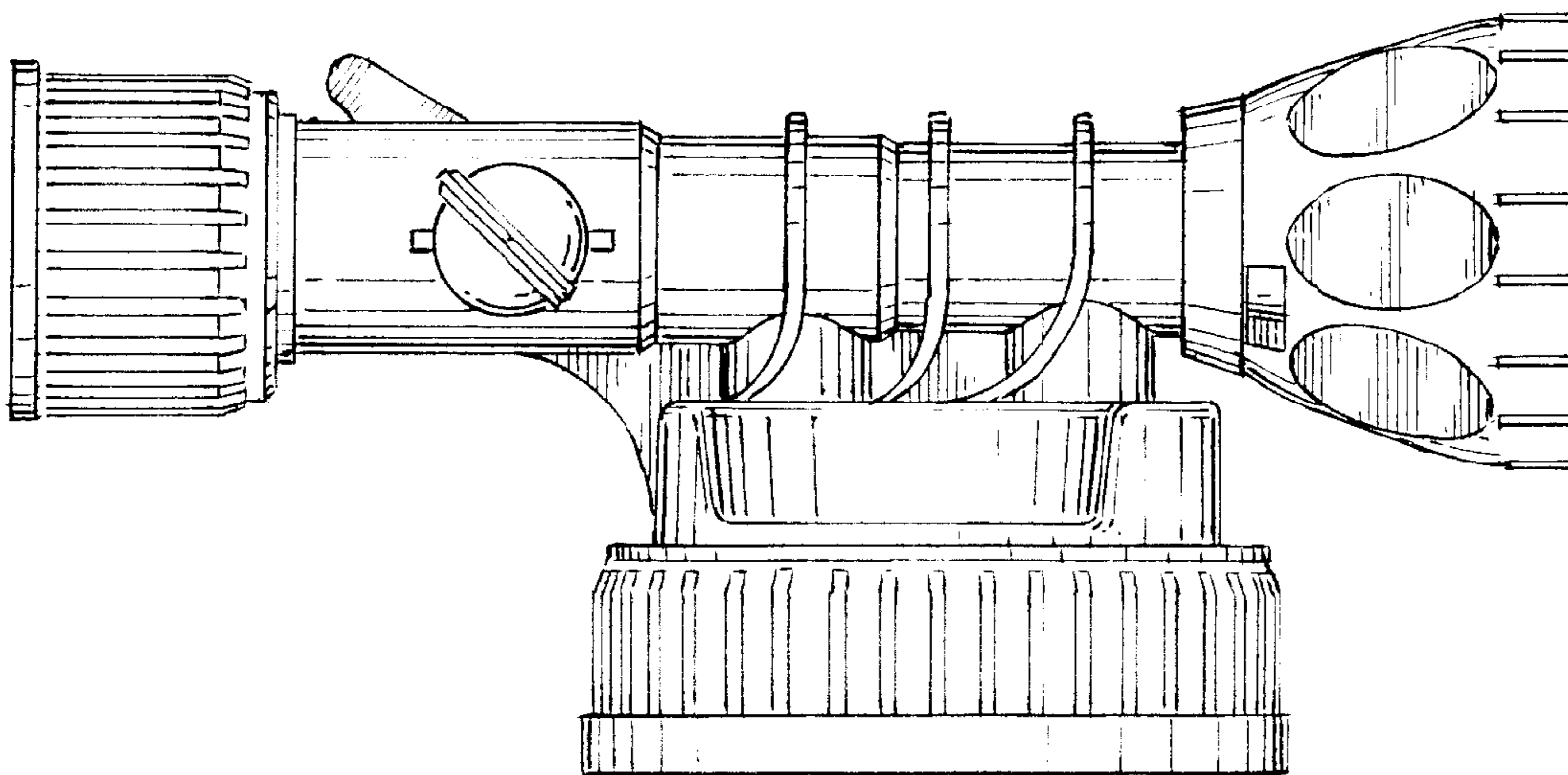


FIG. 1

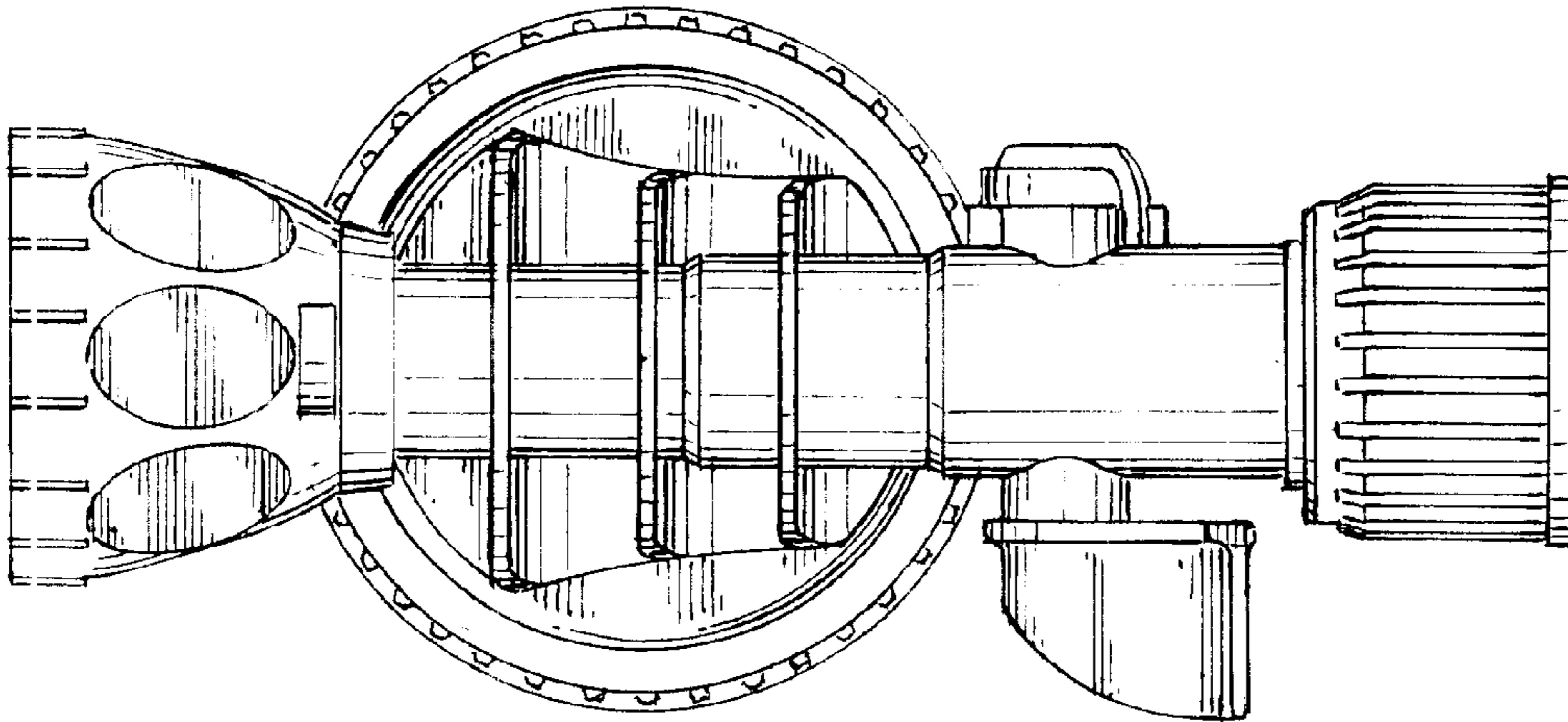


FIG. 2

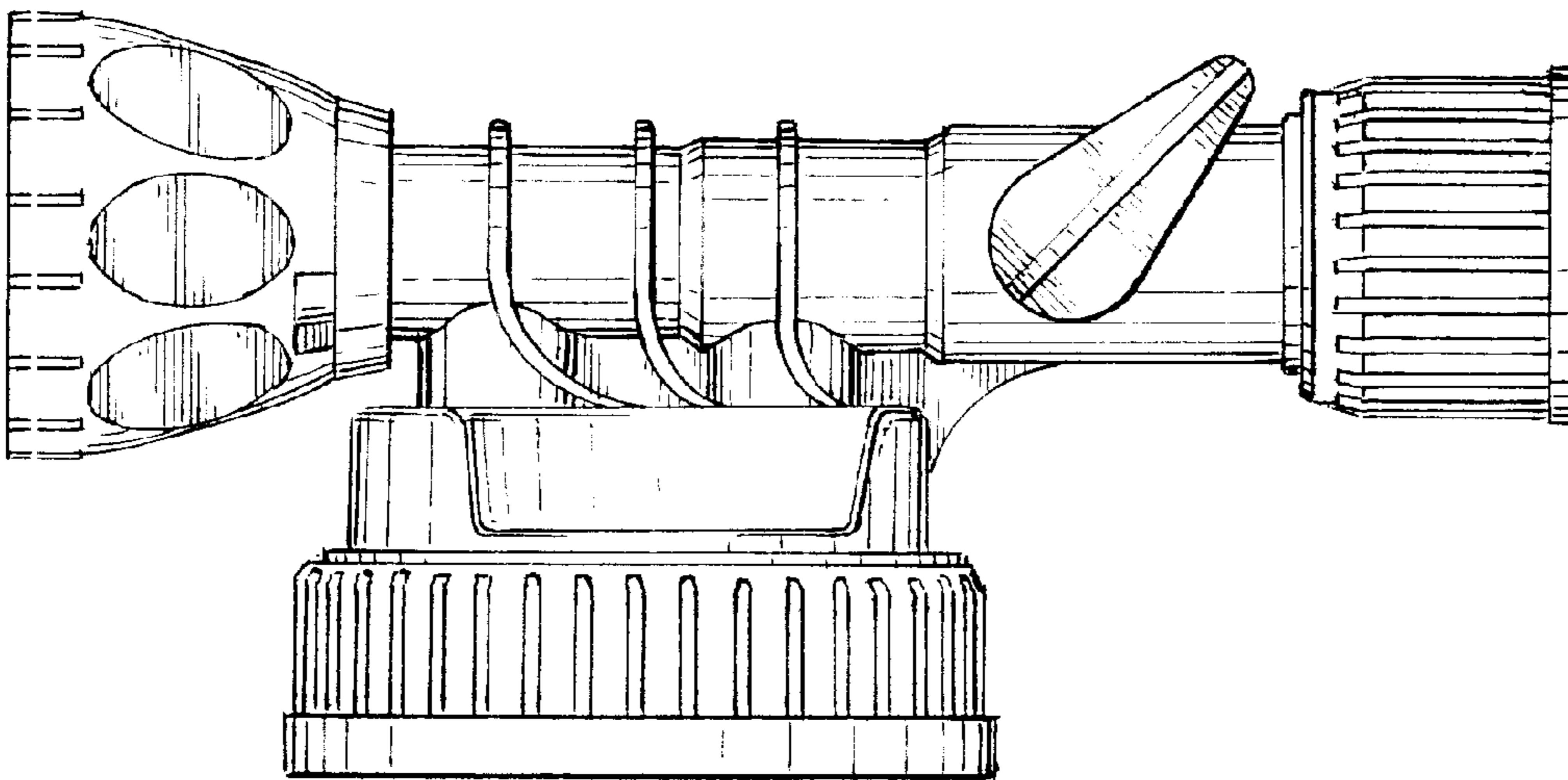
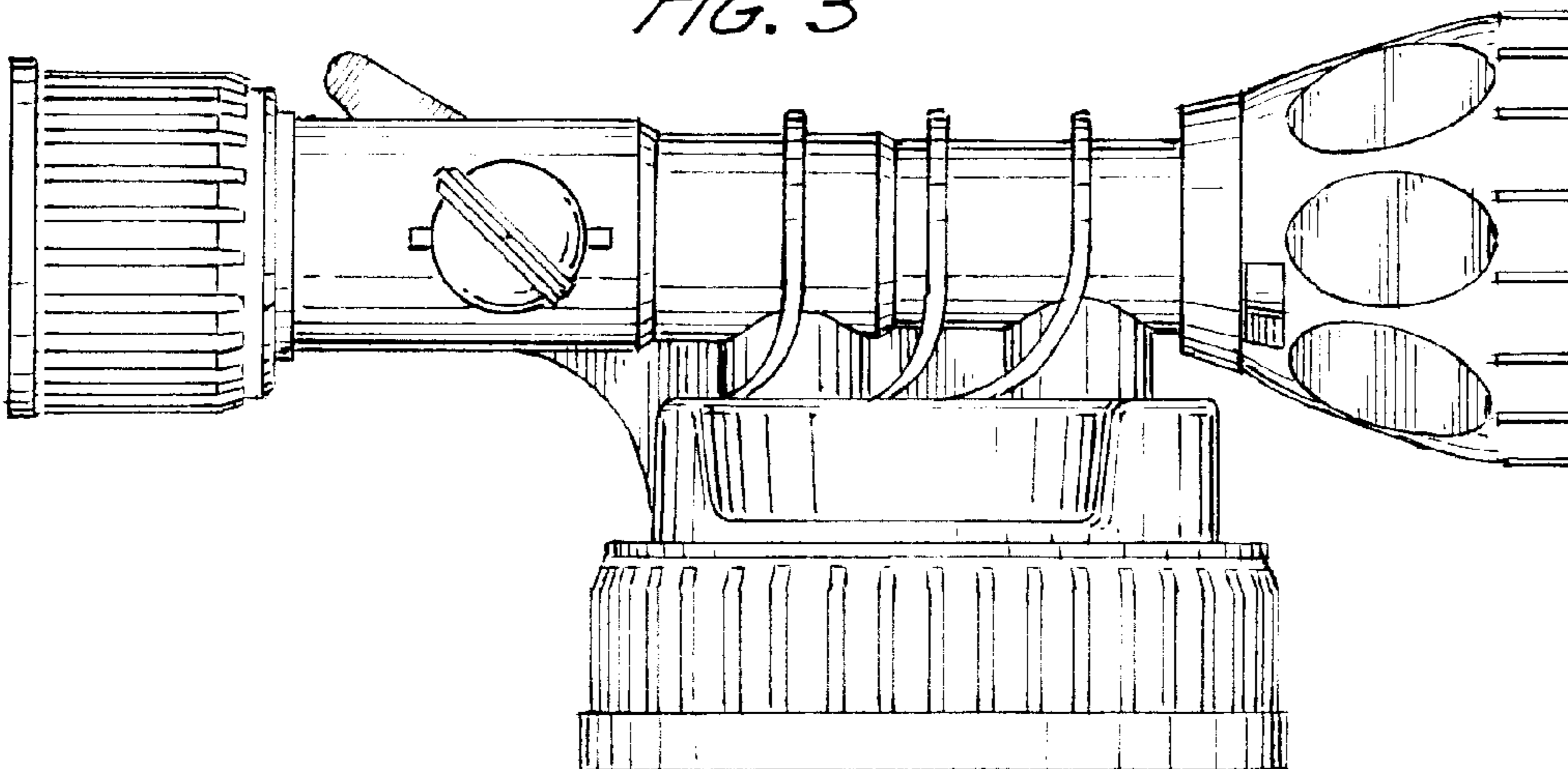
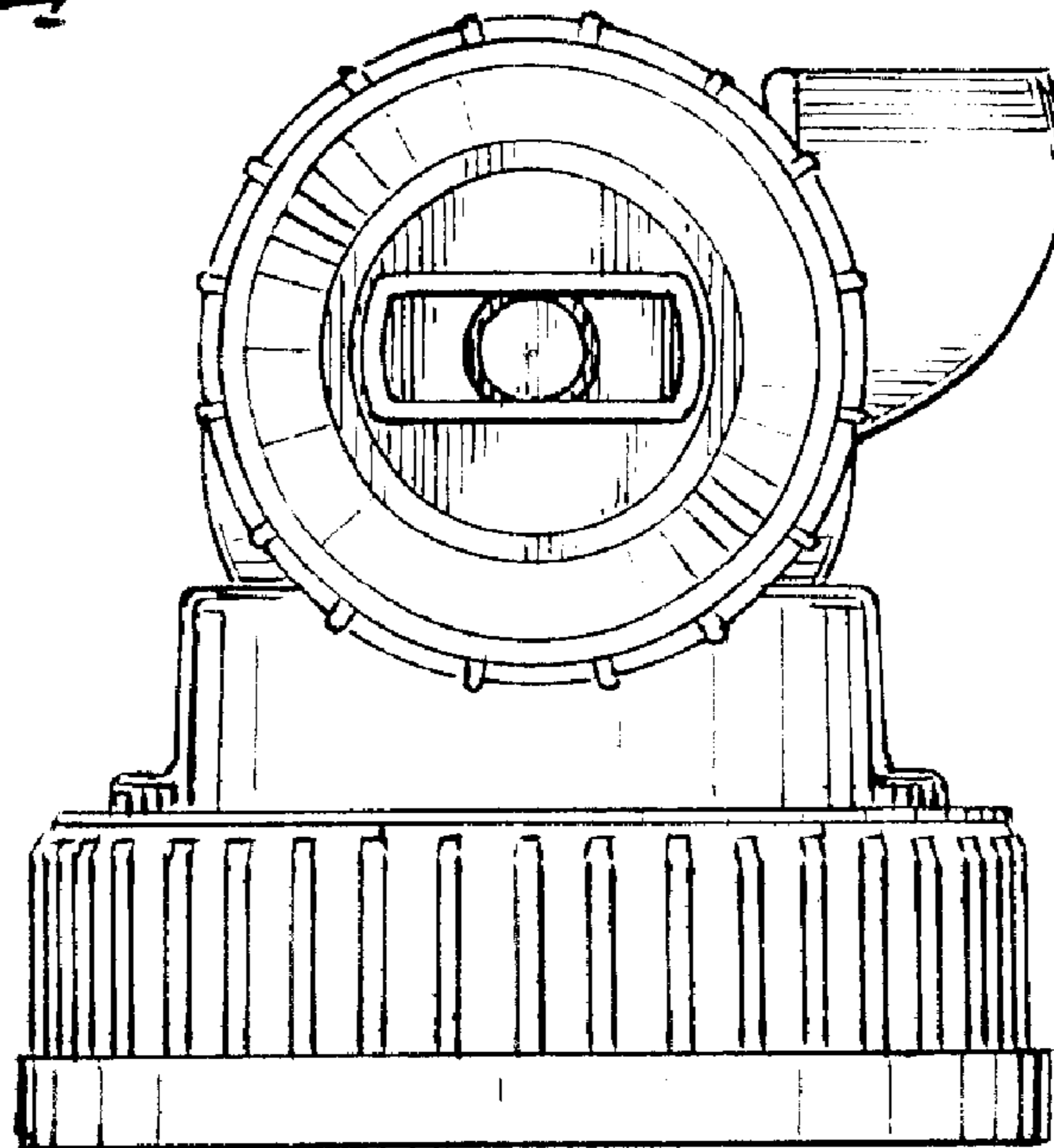


FIG. 3



*FIG. 4*



*FIG. 5*

