



US00D519600S

(12) **United States Design Patent**  
**Beall**

(10) **Patent No.:** **US D519,600 S**

(45) **Date of Patent:** **\*\* \*Apr. 25, 2006**

(54) **WATER DIRECTING APPARATUS**

D506,160 S \* 6/2005 Lambert ..... D11/148

(76) Inventor: **Garm Beall**, 7831 Alabama Ave., Unit 18, Canoga Park, CA (US) 91304

\* cited by examiner

(\*) Notice: This patent is subject to a terminal disclaimer.

*Primary Examiner*—Robin V. Webster

(74) *Attorney, Agent, or Firm*—Aron T. Borrowman; Kelly Lowry & Kelly, LLP

(\*\*) Term: **14 Years**

(57) **CLAIM**

(21) Appl. No.: **29/222,069**

The ornamental design for a water directing apparatus, as shown and described.

(22) Filed: **Jan. 24, 2005**

**DESCRIPTION**

(51) **LOC (8) Cl.** ..... **23-01**

(52) **U.S. Cl.** ..... **D23/200; D23/267**

(58) **Field of Classification Search** ..... D23/267;  
D11/148; 52/11, 12, 16; 137/615  
See application file for complete search history.

FIG. 1 is a perspective view of the bell water directing apparatus attached to a down-spout of a building, shown in phantom, and forming no part of the claimed design;

FIG. 2 is a perspective view of multiple bell components interconnected to one another in a vertical chain;

FIG. 3 is a perspective view of a bell component of the apparatus of the present invention;

FIG. 4 is a front elevational view of the bell component of FIG. 3;

FIG. 5 is a top plan view of the bell component of FIG. 3; and,

FIG. 6 is a bottom plan view of the bell component of FIG. 3.

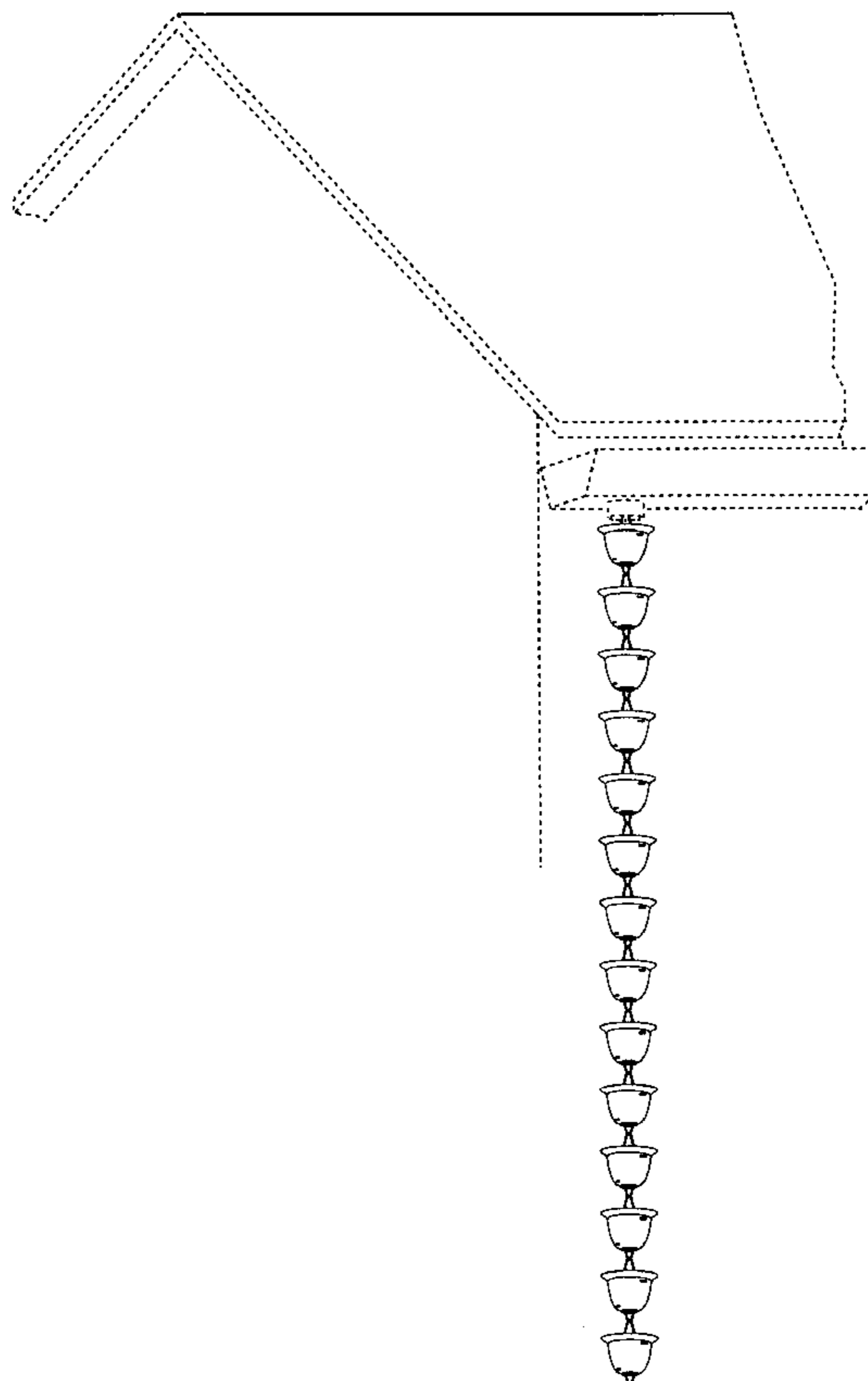
The water directing apparatus is of indeterminate length and is shown in section in FIGS. 2–5 for ease of illustration.

(56) **References Cited**

**U.S. PATENT DOCUMENTS**

D316,686 S	*	5/1991	Tardif	.....	D11/148
D333,800 S	*	3/1993	Akdemir	.....	D11/12
D340,662 S	*	10/1993	Cipolla	.....	D11/18
D410,997 S	*	6/1999	Christianson	.....	D23/267
D416,409 S	*	11/1999	Matthews et al.	.....	D6/514
6,308,464 B1	*	10/2001	Demartini	.....	52/16
6,497,816 B1	*	12/2002	Naddy	.....	210/162
6,526,699 B1	*	3/2003	Foglio, Sr.	.....	52/15
D493,118 S	*	7/2004	Neri	.....	D11/13

**1 Claim, 2 Drawing Sheets**



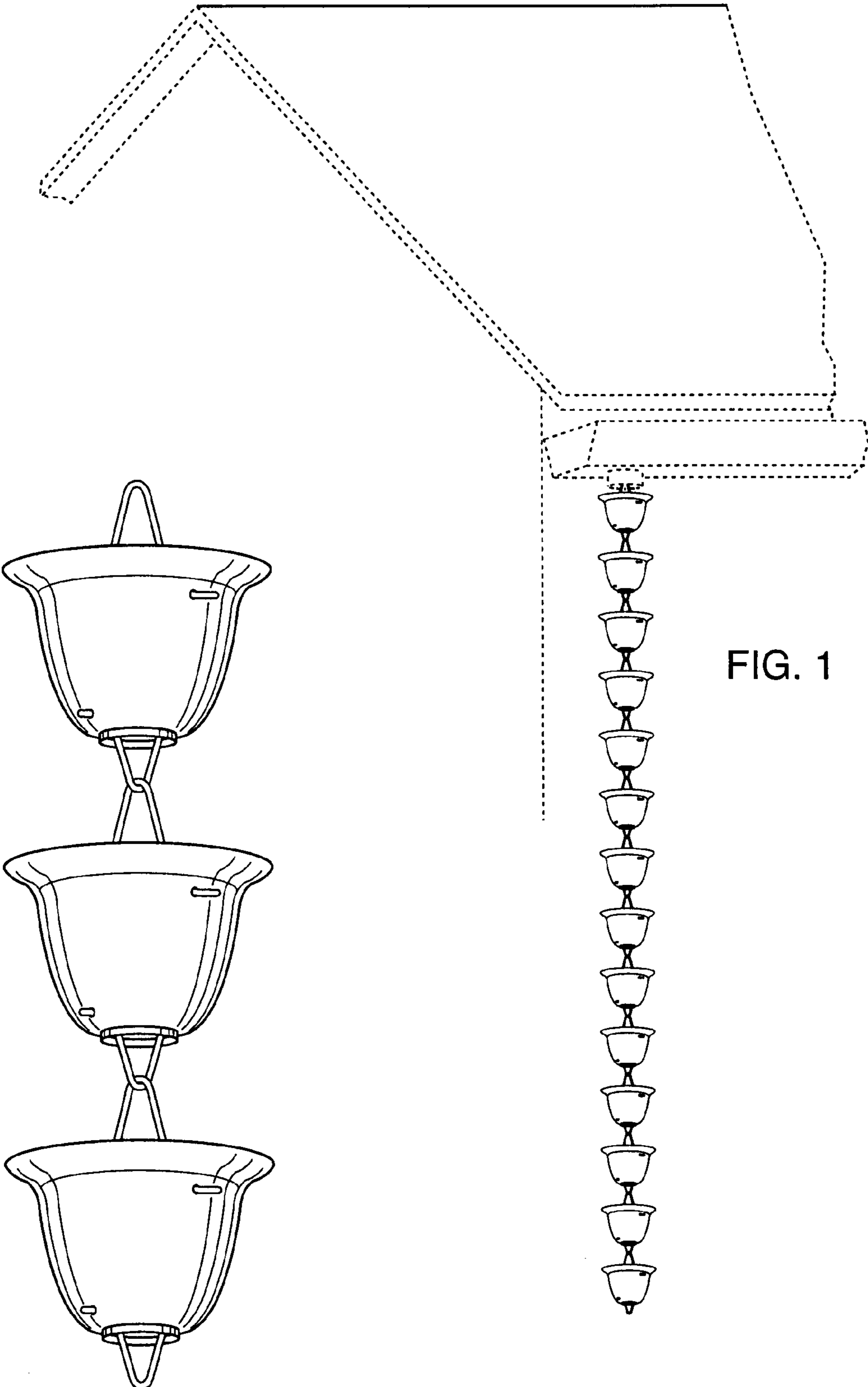


FIG. 1

FIG. 2

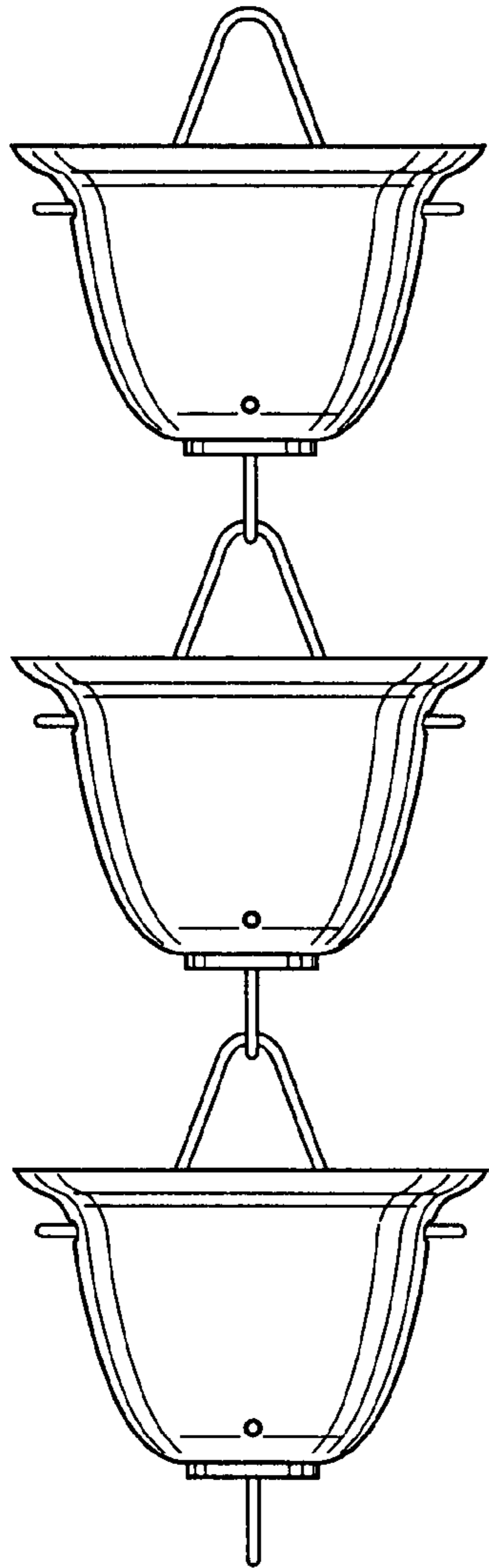


FIG. 3

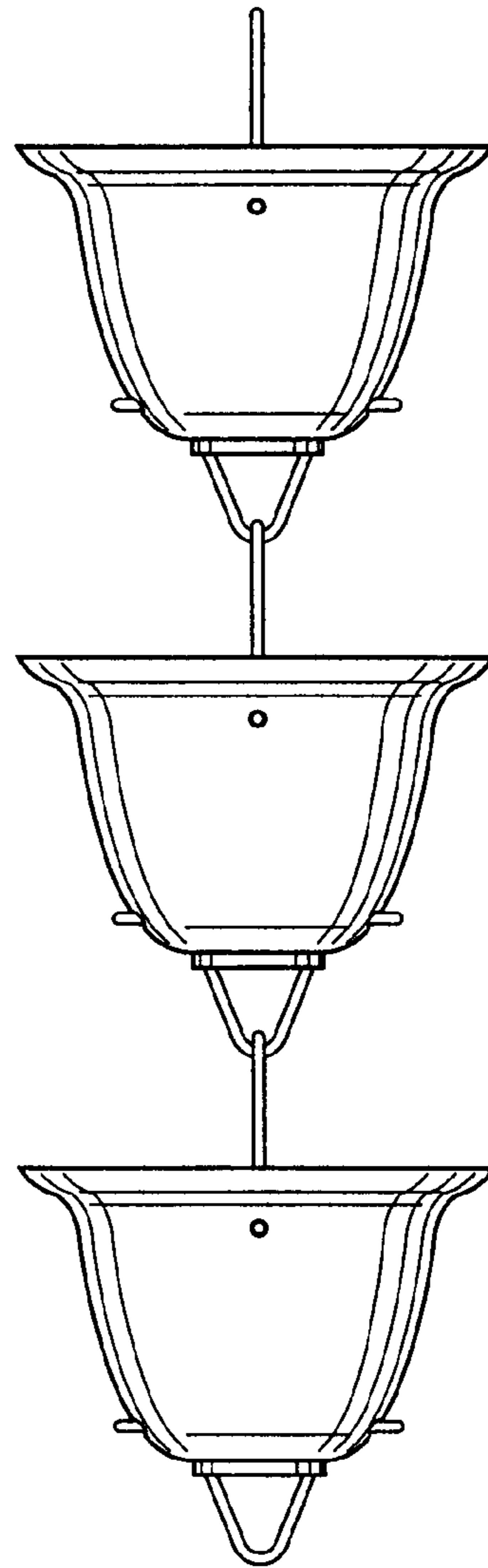


FIG. 4

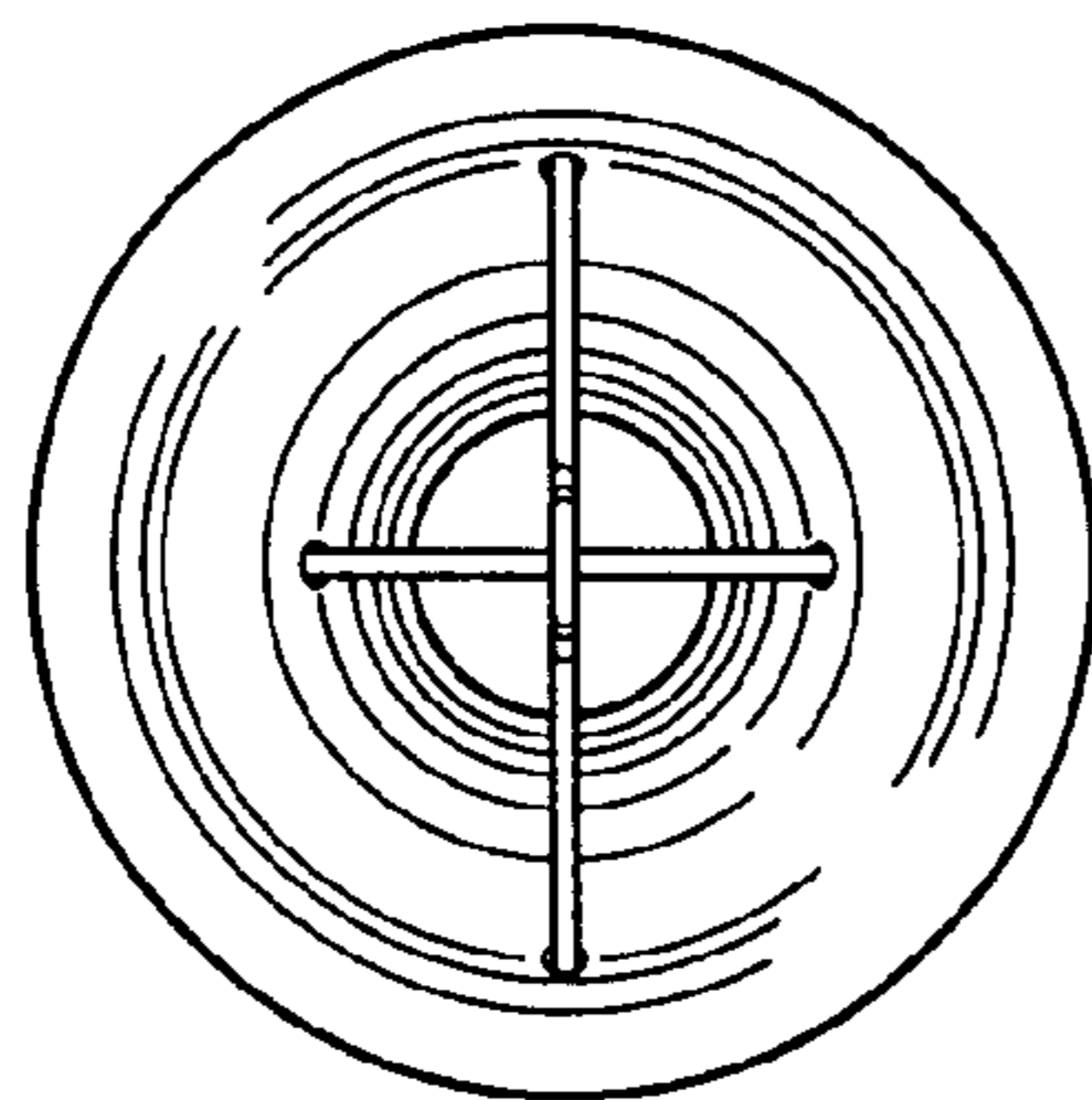


FIG. 5

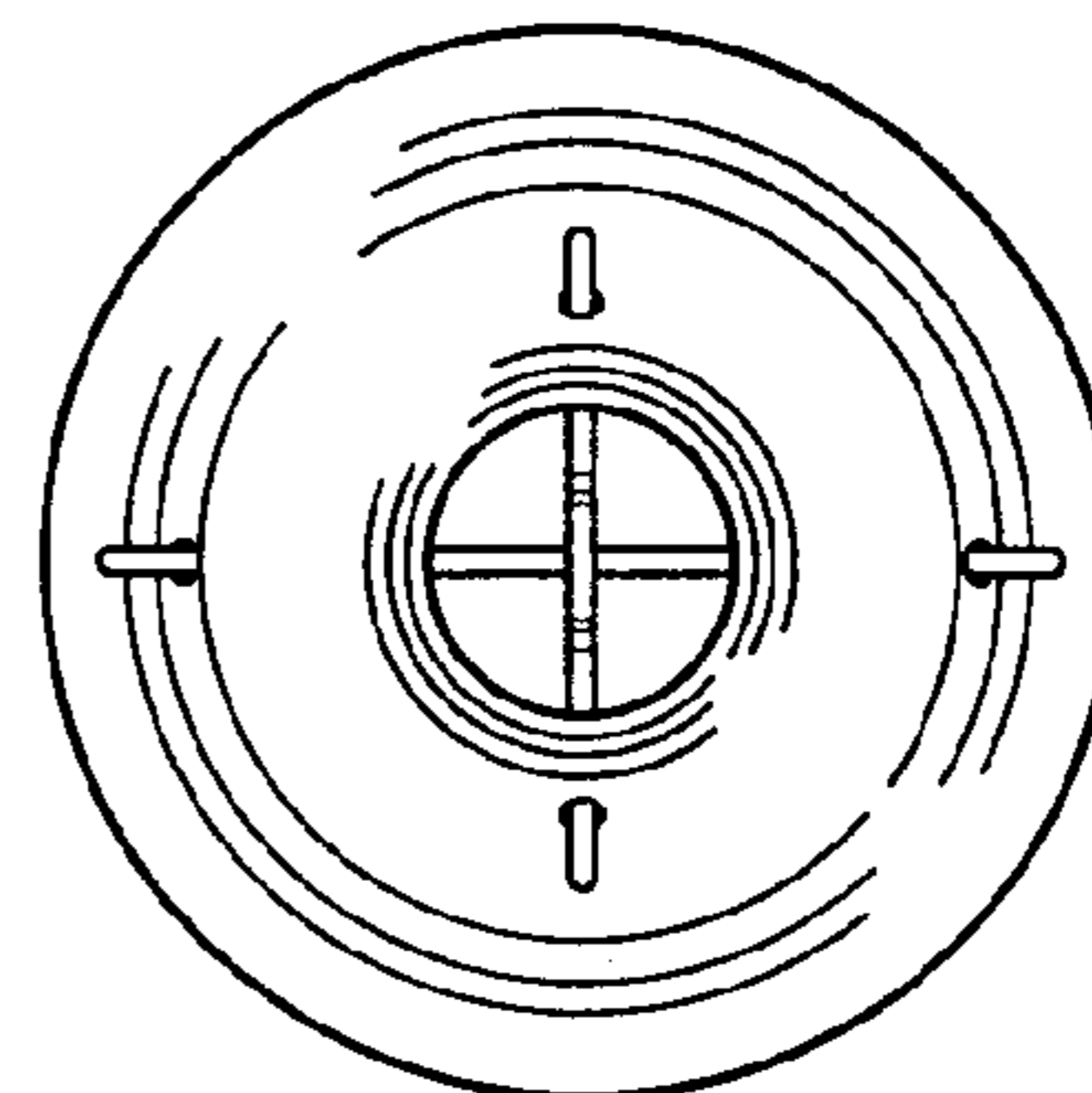


FIG. 6