



US00D519593S

(12) **United States Design Patent** (10) **Patent No.:** **US D519,593 S**
Solari (45) **Date of Patent:** **** Apr. 25, 2006**

(54) **PUTTER AID**

(76) **Inventor:** **Ray Solari**, 531 Main St. Suite 1105,
El Segundo, CA (US) 90245

(**) **Term:** **14 Years**

(21) **Appl. No.:** **29/223,188**

(22) **Filed:** **Feb. 9, 2005**

(51) **LOC (8) Cl.** **21-02**

(52) **U.S. Cl.** **D21/791**

(58) **Field of Classification Search** D21/736-746,
D21/759, 789, 791; 473/244, 340, 341, 251-256,
473/238

See application file for complete search history.

(56) **References Cited**

U.S. PATENT DOCUMENTS

D111,855 S	*	10/1938	Moreno	D21/759
D150,497 S	*	8/1948	Forsell	D21/759
D205,041 S	*	6/1966	Capps	D21/759
4,002,343 A	*	1/1977	Eckert	473/251
4,647,045 A	*	3/1987	Bilyeu	473/238
D360,446 S	*	7/1995	Juliano	D21/759
D471,610 S	*	3/2003	Mugica et al.	D21/759
D502,519 S	*	3/2005	Kang	D21/759

* cited by examiner

Primary Examiner—Mitchell Siegel

(74) *Attorney, Agent, or Firm*—Cislo & Thomas LLP

(57) **CLAIM**

I claim the ornamental design for a putter aid, as shown and described.

DESCRIPTION

FIG. 1 is a front perspective view of my putter aid with the dotted line showing being for illustrative purposes only and to which no claim is made;

FIG. 2 is an enlarged top perspective view thereof;

FIG. 3 is a top view of FIG. 2;

FIG. 4 is a bottom view of FIG. 2;

FIG. 5 is a right side elevational view of FIG. 2, the undisclosed left side being identical;

FIG. 6 is a front view of FIG. 2;

FIG. 7 is a rear view of FIG. 2;

FIG. 8 is a perspective view of an alternative embodiment of my putter aid with the putter aid being shown so as to indicate indeterminate length and with the dotted line showing being for illustrative purposes only and to which no claim is made;

FIG. 9 is an enlarged top perspective view of FIG. 8;

FIG. 10 is a top view of FIG. 9;

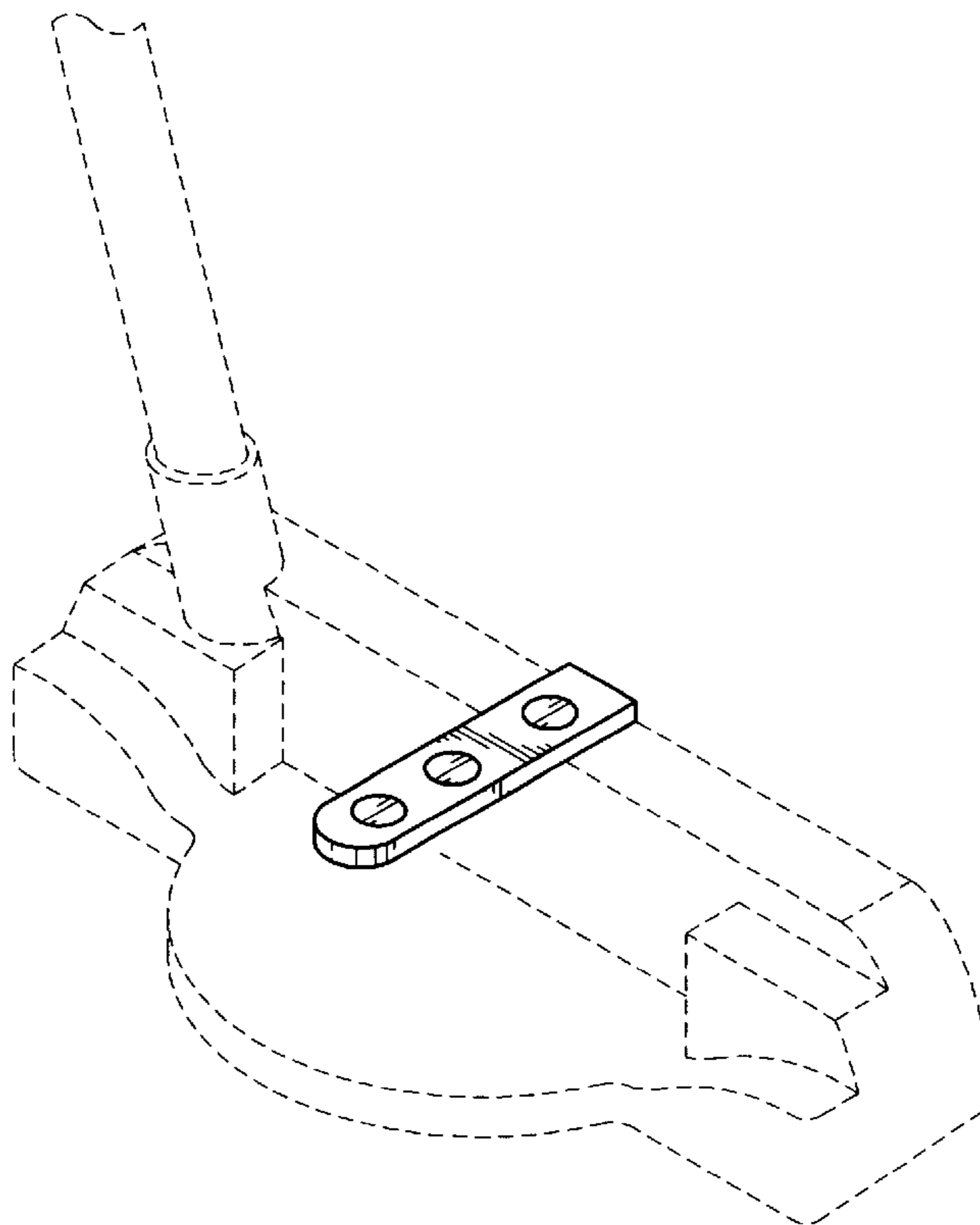
FIG. 11 is a bottom view of FIG. 9;

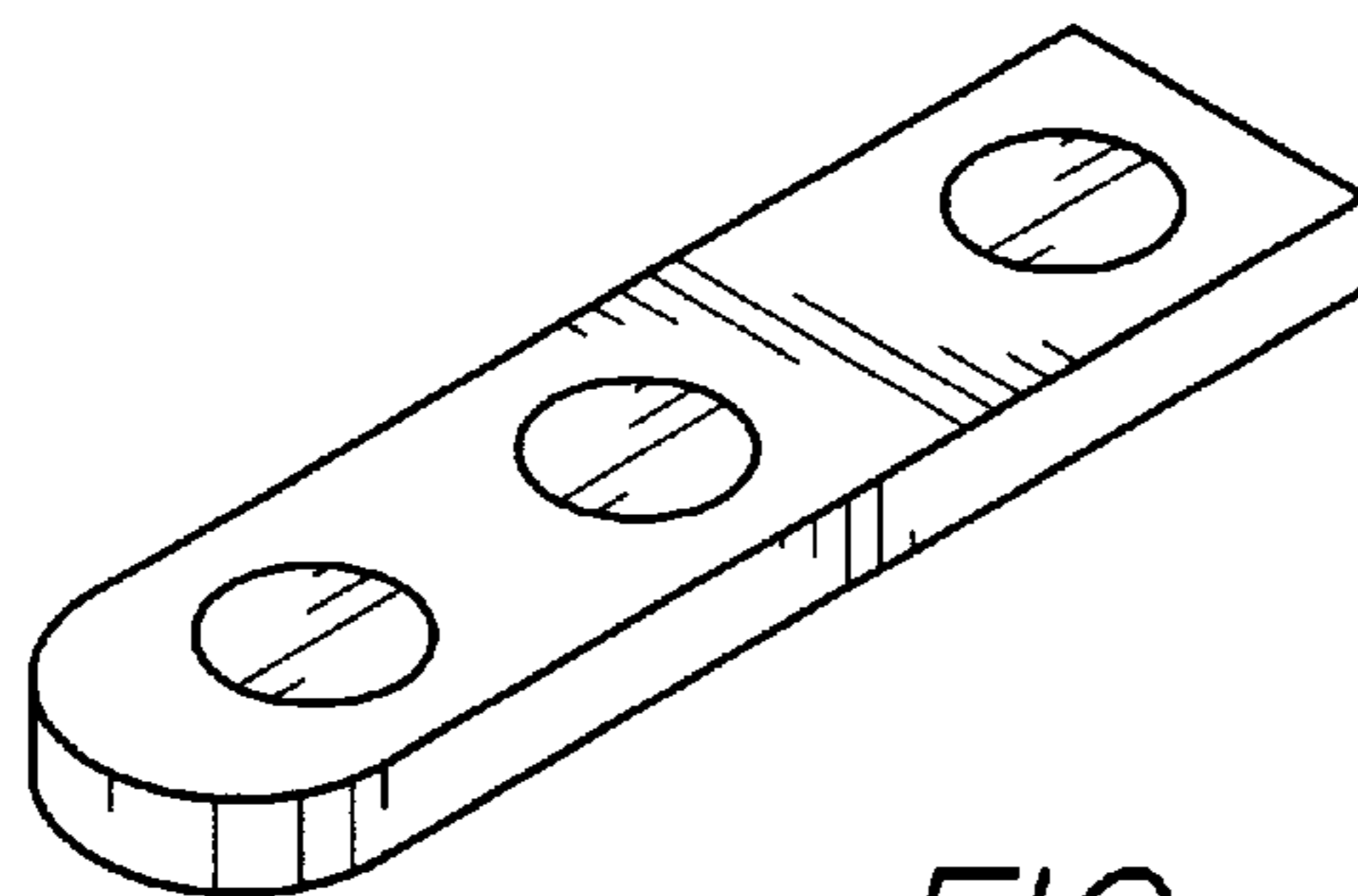
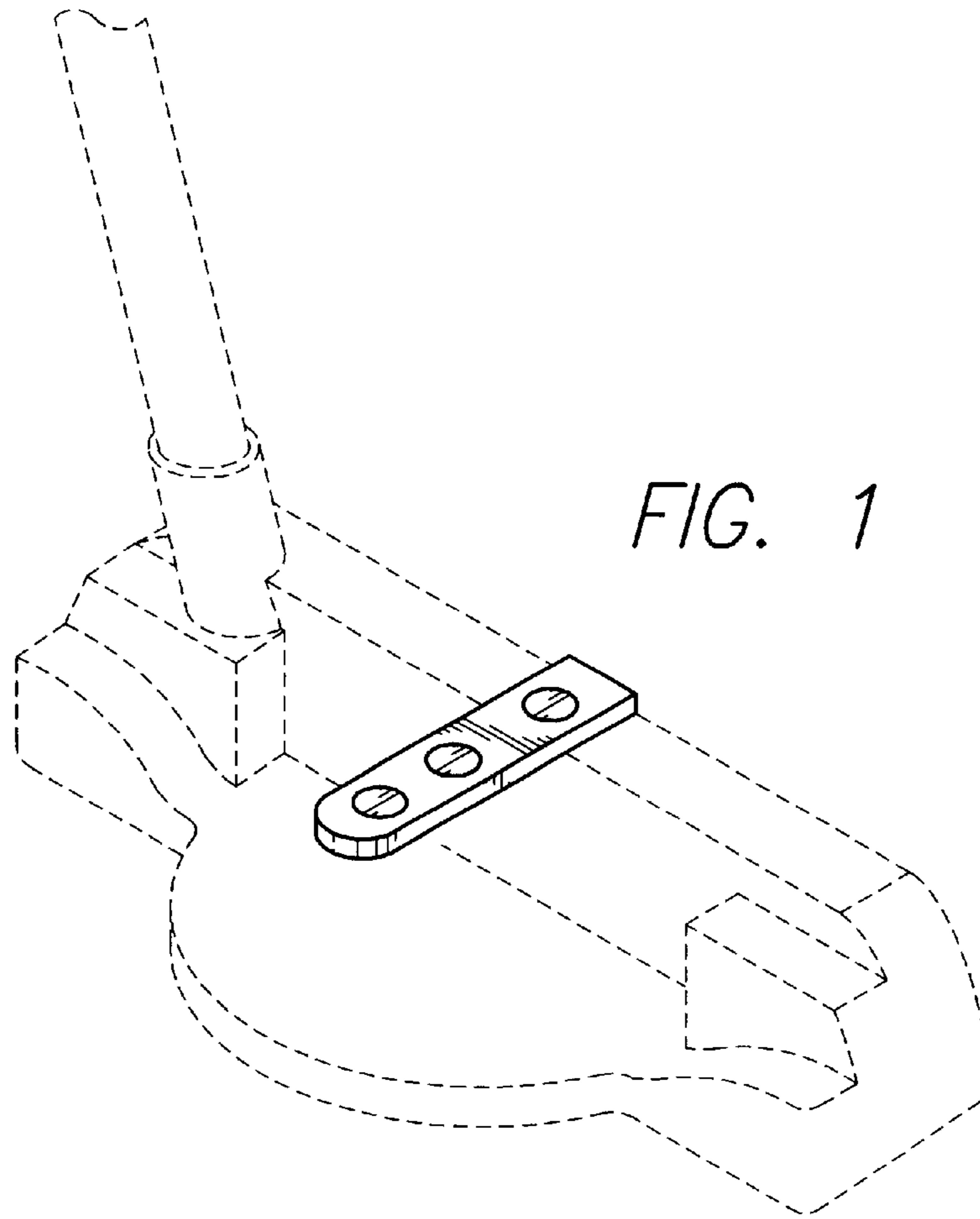
FIG. 12 is a right side elevational view of FIG. 9, the undisclosed left side being identical;

FIG. 13 is a front view of FIG. 9; and,

FIG. 14 is a rear view of FIG. 9.

1 Claim, 3 Drawing Sheets





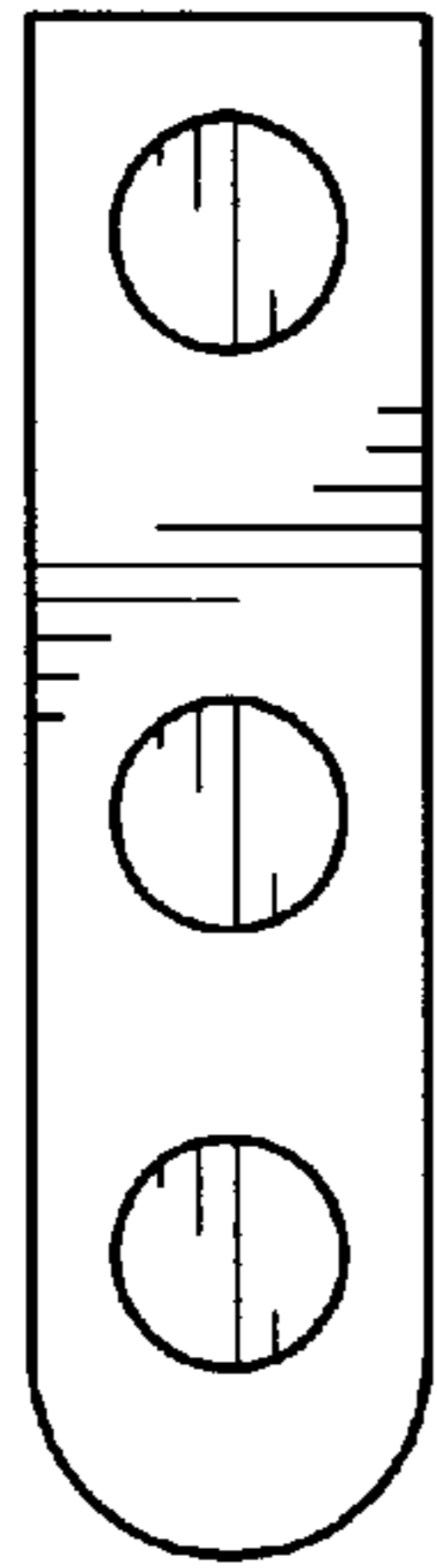


FIG. 3

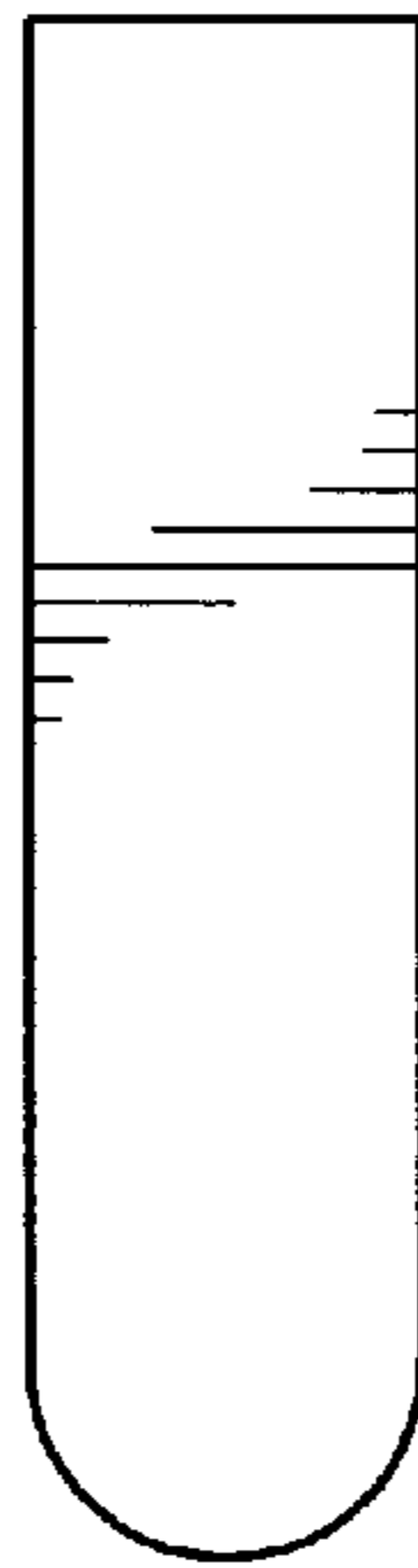


FIG. 4

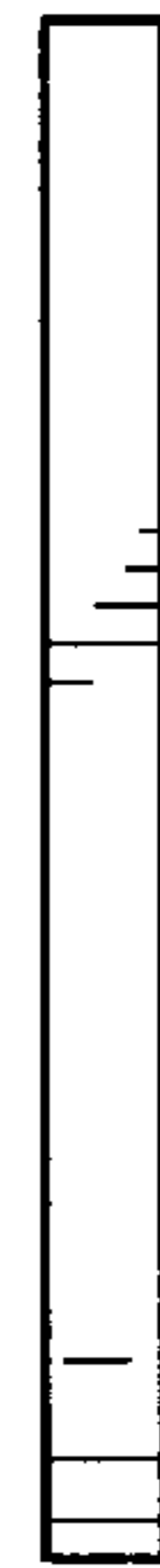


FIG. 5

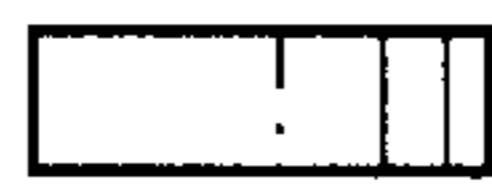


FIG. 6

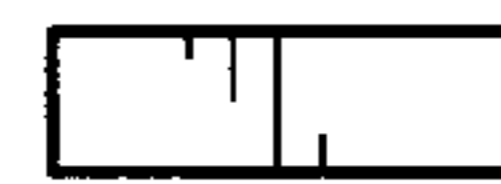


FIG. 7

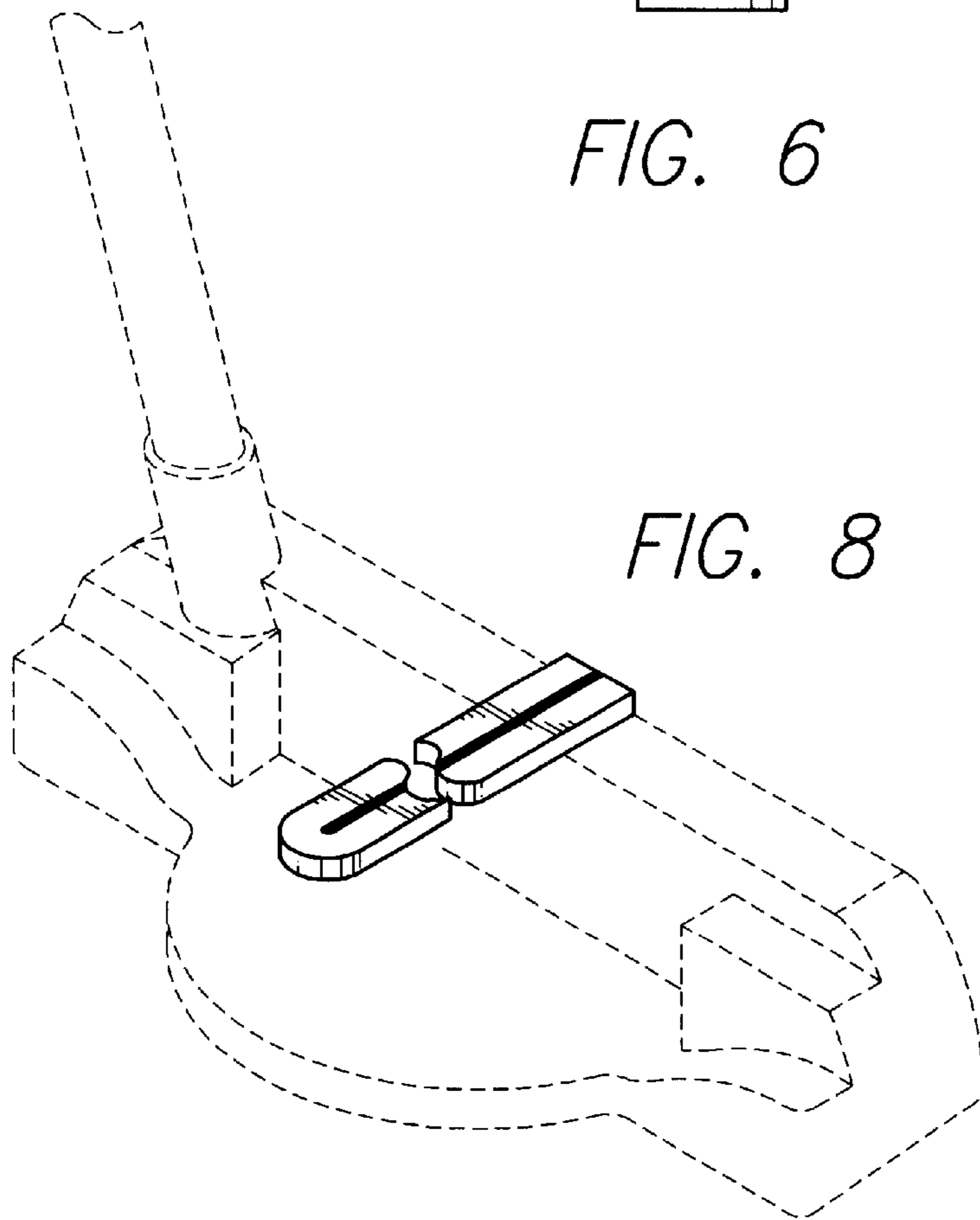


FIG. 8

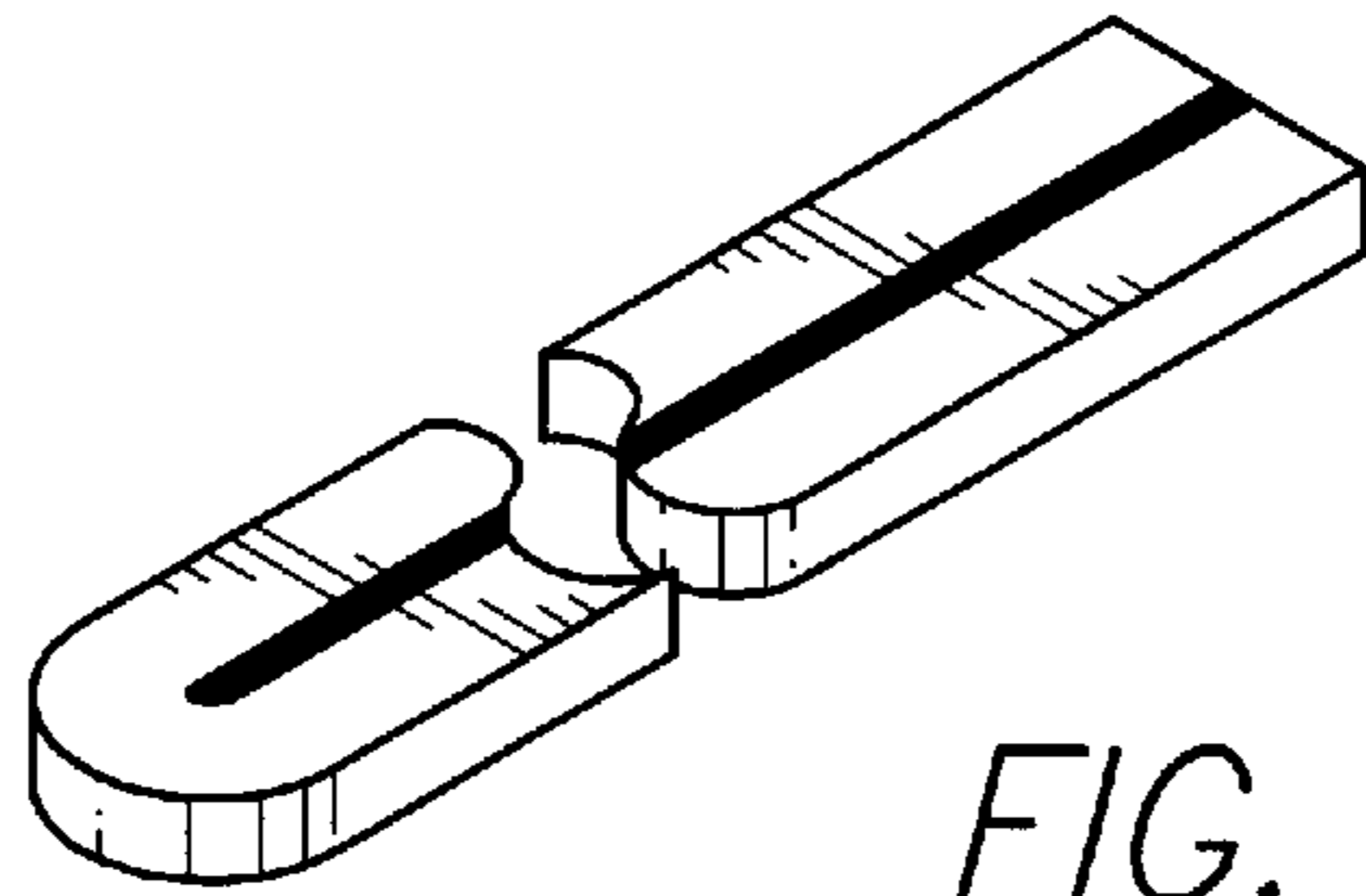


FIG. 9



FIG. 10

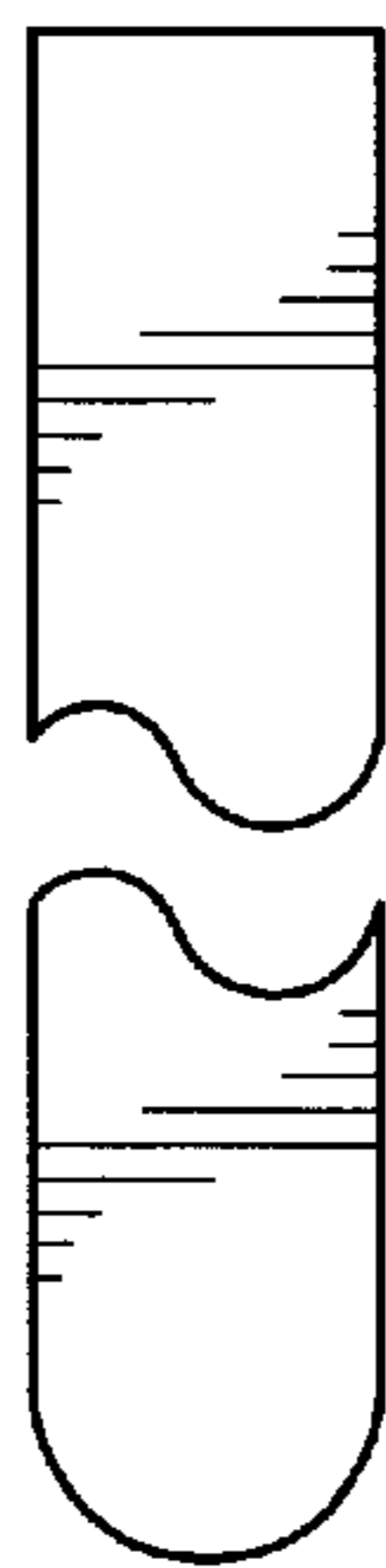


FIG. 11



FIG. 12

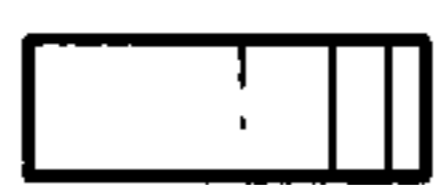


FIG. 13



FIG. 14