



US00D519588S

(12) **United States Design Patent**
Carbonero

(10) **Patent No.:** **US D519,588 S**

(45) **Date of Patent:** **** Apr. 25, 2006**

(54) **JACK TOY**

2002/0137582 A1 * 9/2002 Yu 473/570
2003/0184013 A1 * 10/2003 Chodosh 273/139

(75) Inventor: **Kurt K. Carbonero**, Rochester, MI
(US)

OTHER PUBLICATIONS

(73) Assignee: **Pull-Buoy, Inc.**, Sterling Heights, MI
(US)

U.S. TOY(r) Co., Inc. Fall/Winter 2003 Catalog, various
jacks in jack sets shown on p. 84.*
CATCHBALL, Gym Closet, 2004, p. 93, Temperance,
Michigan.

(**) Term: **14 Years**

* cited by examiner

(21) Appl. No.: **29/223,192**

Primary Examiner—Catherine Tuttle

(22) Filed: **Feb. 10, 2005**

(74) *Attorney, Agent, or Firm*—Reising, Ethington, Barnes,
Kisselle, P.C.

(51) **LOC (8) Cl.** **21-02**

(52) **U.S. Cl.** **D21/707**

(58) **Field of Classification Search** D21/300,
D21/301, 386, 387, 398, 440, 468, 707; 473/569–571,
473/594–596, 609, 612, 613, 614; 446/34,
446/71, 220–222, 236, 256, 486, 491; 273/317,
273/348, 362, 127 R, 138.1, 139, 146, 440,
273/447

(57) **CLAIM**

See application file for complete search history.

The ornamental design for a jack toy, as shown and
described.

DESCRIPTION

(56) **References Cited**

U.S. PATENT DOCUMENTS

563,170	A	*	6/1896	Haley et al.	473/595
D70,800	S	*	8/1926	McDonald	D21/386
2,187,493	A	*	1/1940	Gordon	473/609
D154,739	S	*	8/1949	Bersudsky	D21/576
D221,962	S	*	9/1971	Vennola	D21/468
3,868,115	A	*	2/1975	Faiferlick	273/146
4,309,038	A	*	1/1982	Spoon	473/596
4,436,306	A	*	3/1984	Sanders	273/146
D301,161	S	*	5/1989	Dunse	D21/707
D502,512	S	*	3/2005	Carbonero	D21/452
2001/0031677	A1	*	10/2001	Coleman et al.	473/569

FIG. 1 is a perspective view of a jack toy showing my new
design;
FIG. 2 is a partially rotated elevational view of the left front
side of FIG. 1, shown on a reduced scale and without
perspective distortion;
FIG. 3 is an elevational view of the opposite side of FIG. 2;
FIG. 4 is an elevational view of the bottom of FIG. 2 rotated
clockwise 90°;
FIG. 5 is an elevational view of the opposite side of FIG. 4
and of the upper end of FIG. 2 rotated counterclockwise 90°;
FIG. 6 is an elevational view of the right side of FIG. 2,
rotated clockwise 90°; and,
FIG. 7 is an elevational view of the opposite side of FIG. 6
rotated clockwise 90°; and of the left side of FIG. 2.

1 Claim, 4 Drawing Sheets

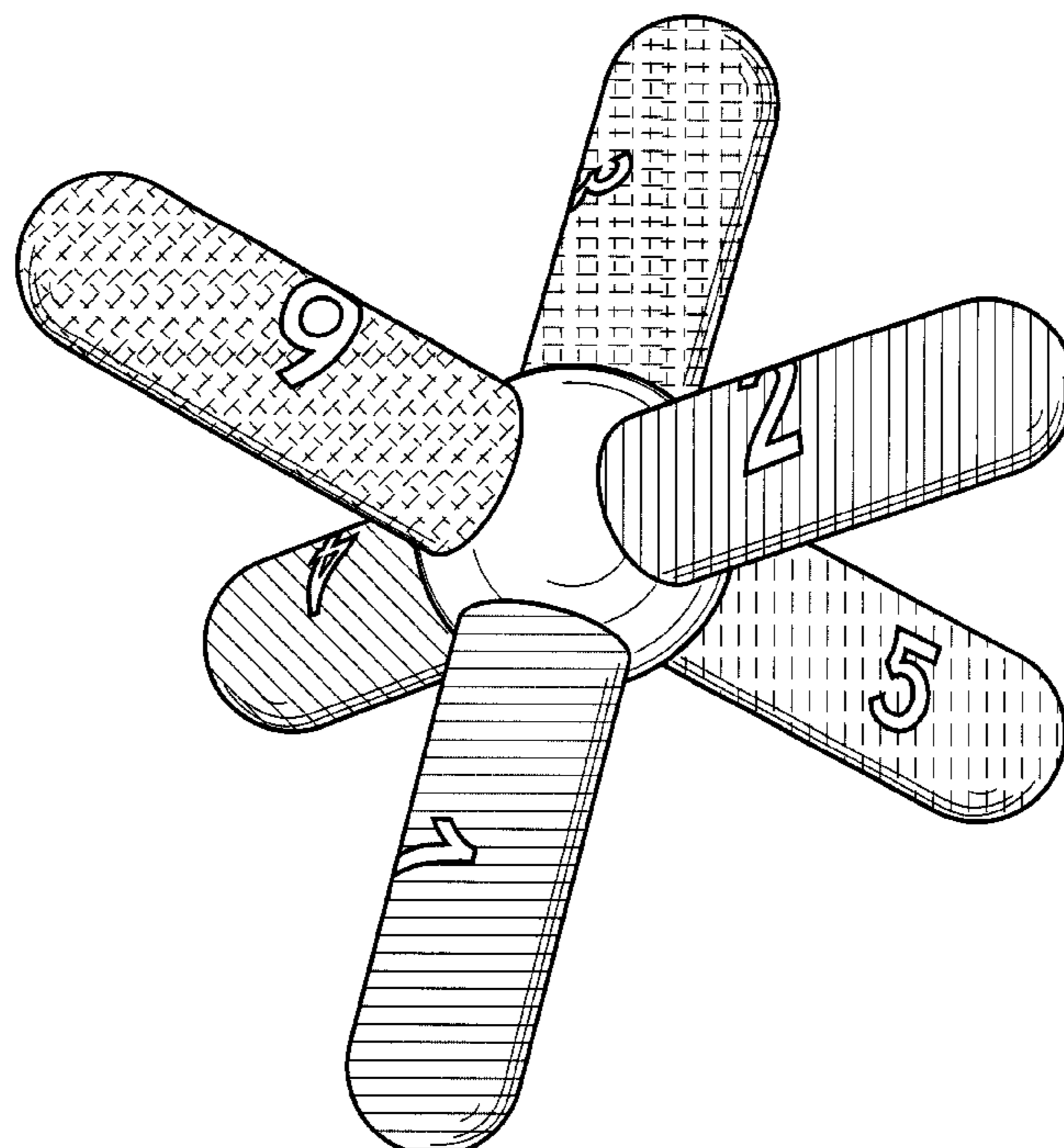


FIG - 1

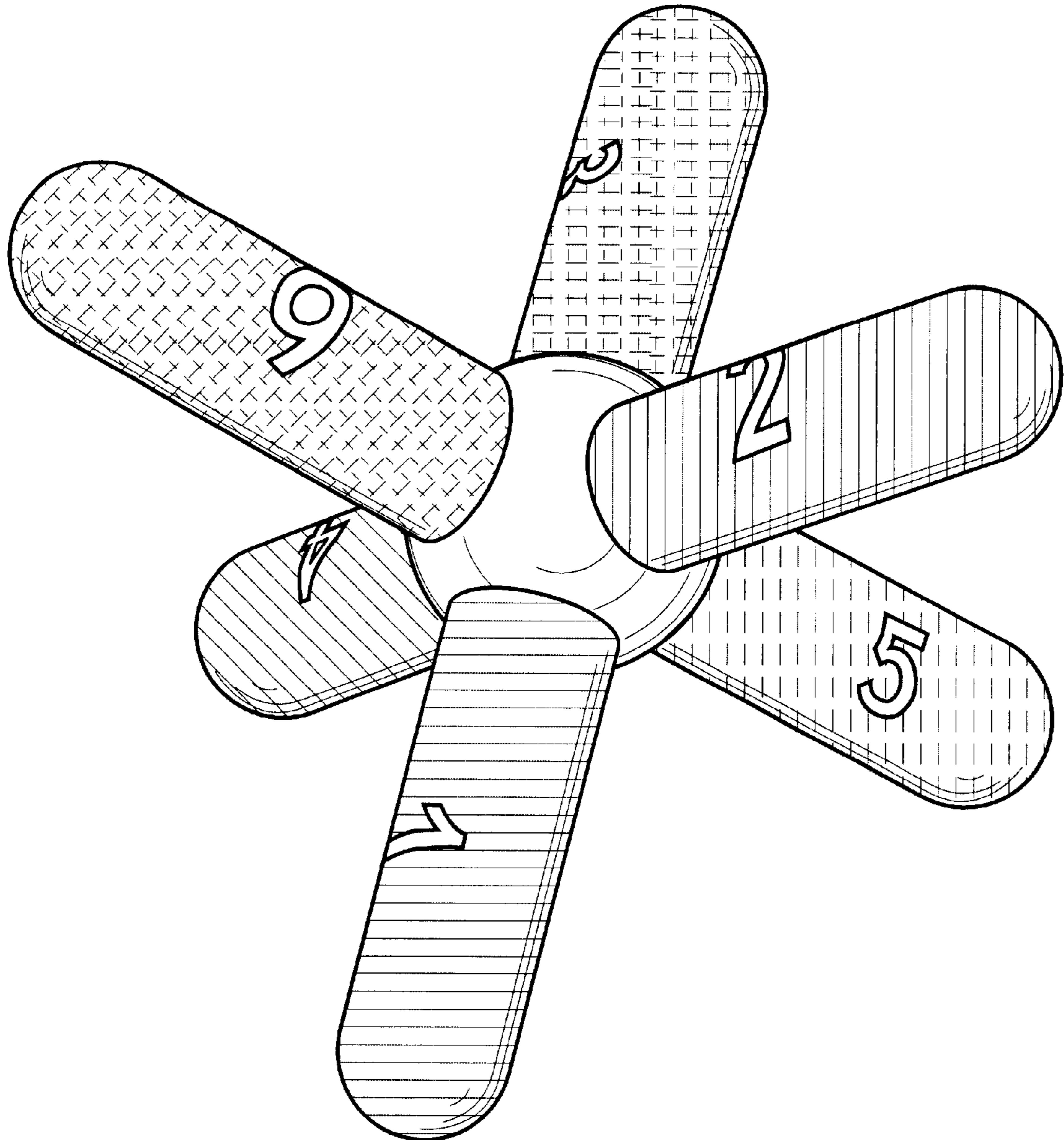


FIG - 2

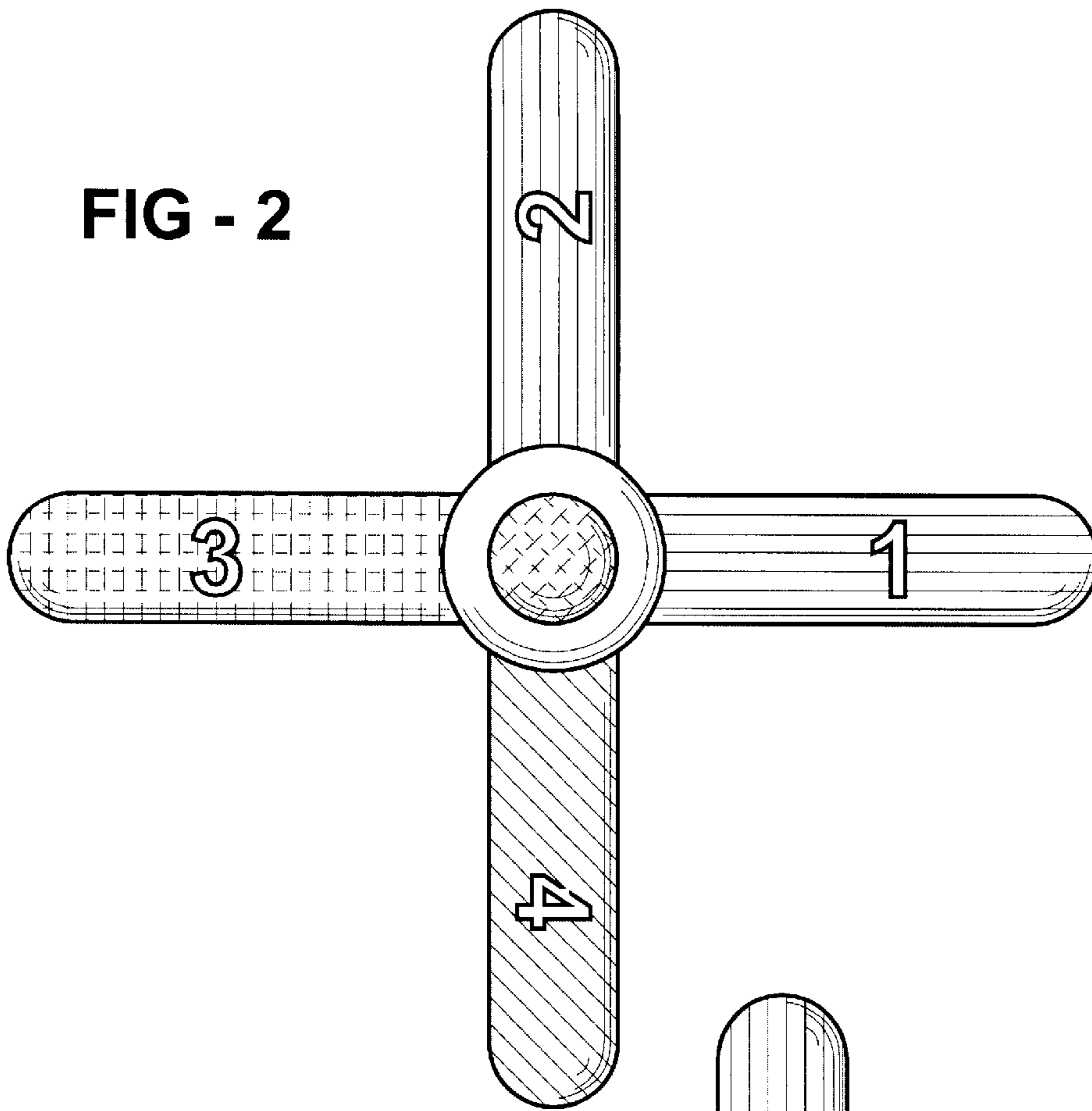


FIG - 3

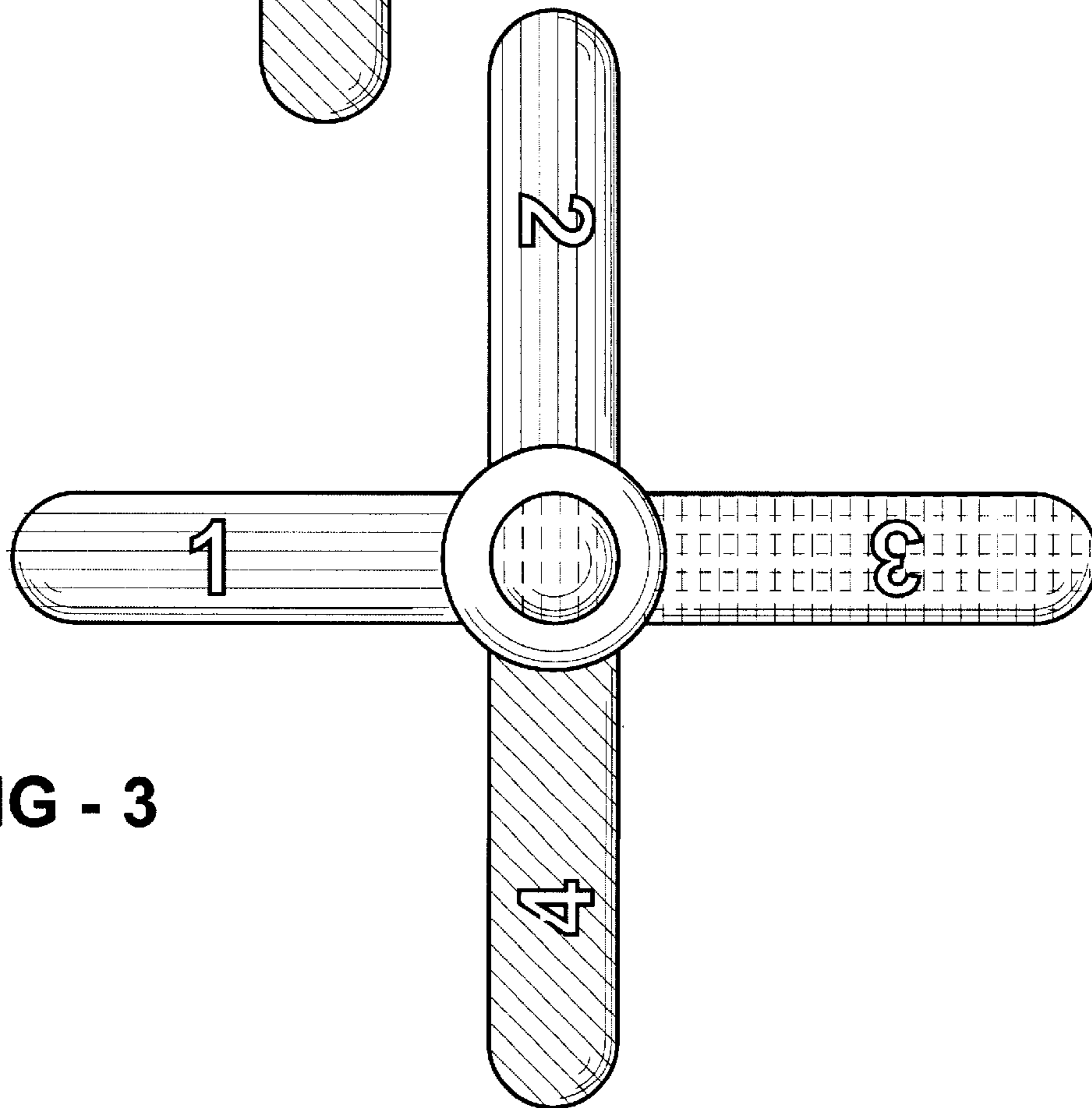


FIG - 4

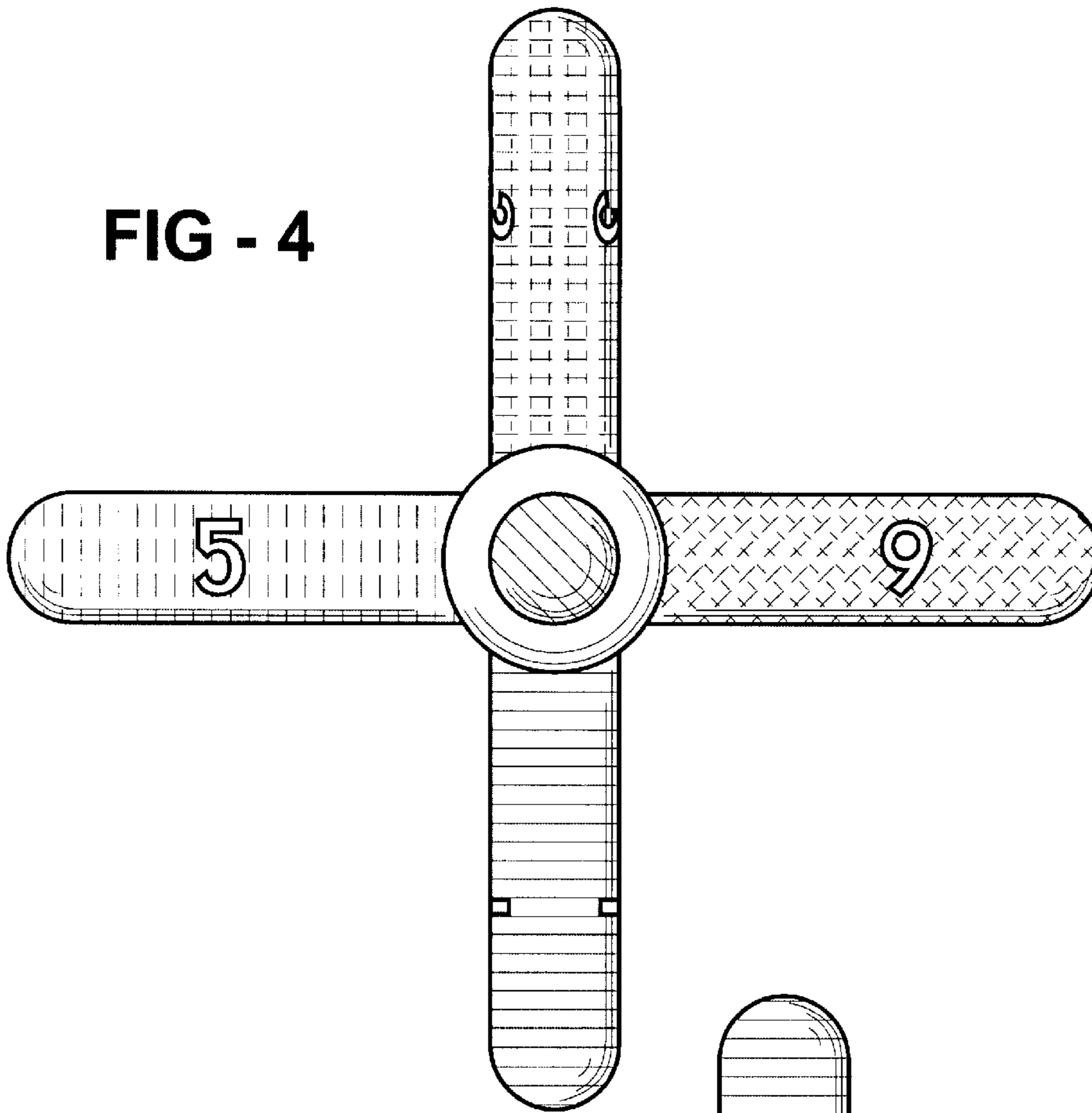


FIG - 5

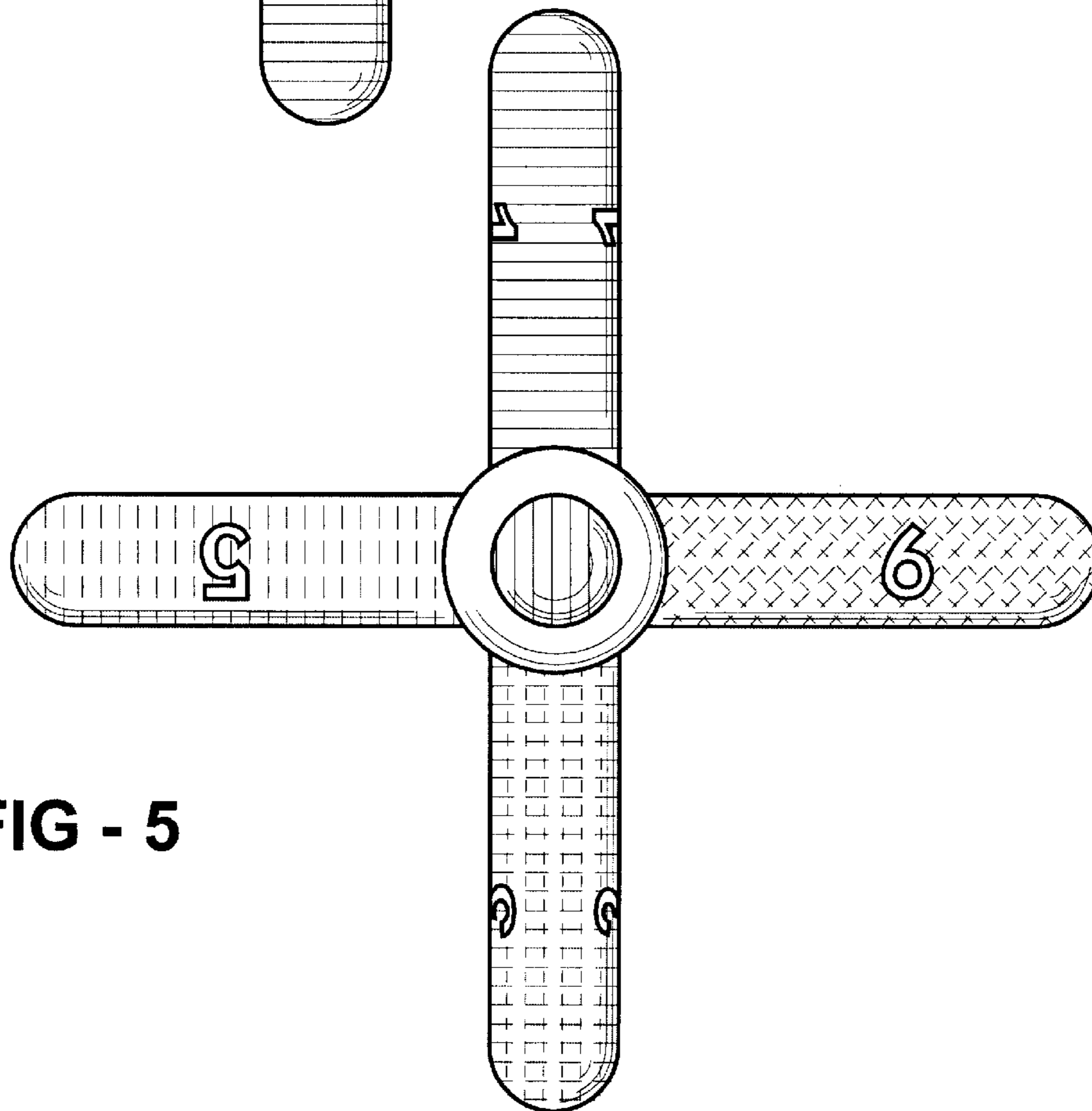


FIG - 6

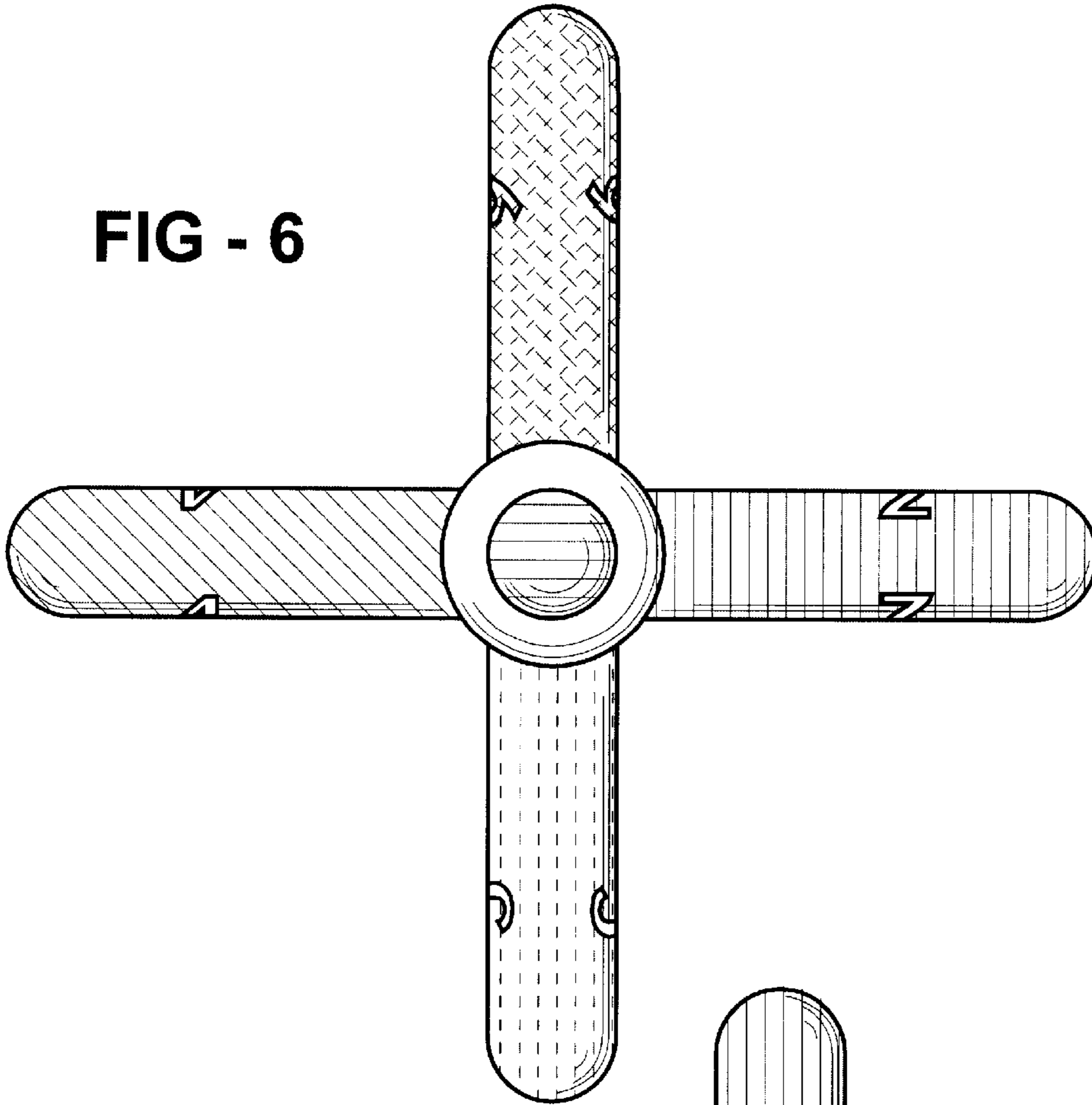


FIG - 7

