

US00D519587S

(12) **United States Design Patent**  
**McCarty et al.**

(10) **Patent No.:** **US D519,587 S**  
(45) **Date of Patent:** **\*\* Apr. 25, 2006**

- (54) **EXERCISE DEVICE**
- (75) Inventors: **Kristi McCarty**, Toledo, OH (US);  
**Shanna Gronda**, Grosse Isle, MI (US);  
**John Thomas McVicker**, Northwood,  
OH (US)
- (73) Assignee: **Ideation Creations, LLC.**, Grosse Isle,  
MI (US)
- (\*\*) Term: **14 Years**

4,211,405 A	7/1980	Blowsky et al.	
4,239,212 A	12/1980	Hickey	
4,290,600 A	9/1981	Kolbel	
4,842,273 A	6/1989	Schmeiss	
5,046,726 A	9/1991	Van Straaten	
5,643,158 A	7/1997	Clementi	
5,697,873 A	* 12/1997	Van Straaten	..... 482/126
5,913,756 A	6/1999	Glaser	
5,967,953 A	* 10/1999	Nunez	..... 482/121
5,980,436 A	* 11/1999	Cheng	..... 482/124
D486,192 S	* 2/2004	Pointer, Jr.	..... D21/692

\* cited by examiner

- (21) Appl. No.: **29/211,750**
- (22) Filed: **Aug. 20, 2004**
- (51) **LOC (8) Cl.** ..... **21-02**
- (52) **U.S. Cl.** ..... **D21/692; D21/662**
- (58) **Field of Classification Search** ..... D21/662,  
D21/692; 482/121-122, 125-126, 128  
See application file for complete search history.

*Primary Examiner*—Philip S. Hyder  
*Assistant Examiner*—RoseLynne H. Ulm  
(74) *Attorney, Agent, or Firm*—Marshall & Melhorn LLC.

(57) **CLAIM**

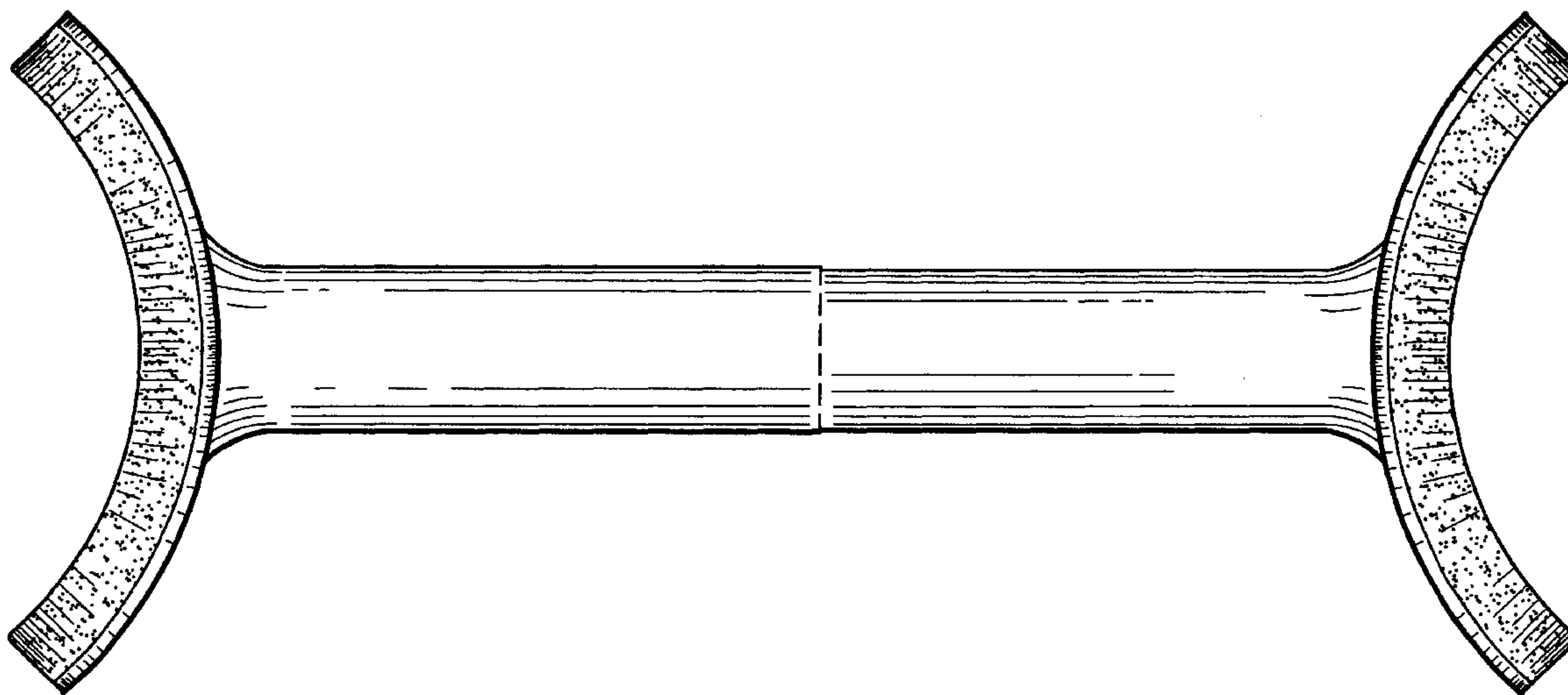
The ornamental design for an exercise device, as shown and described.

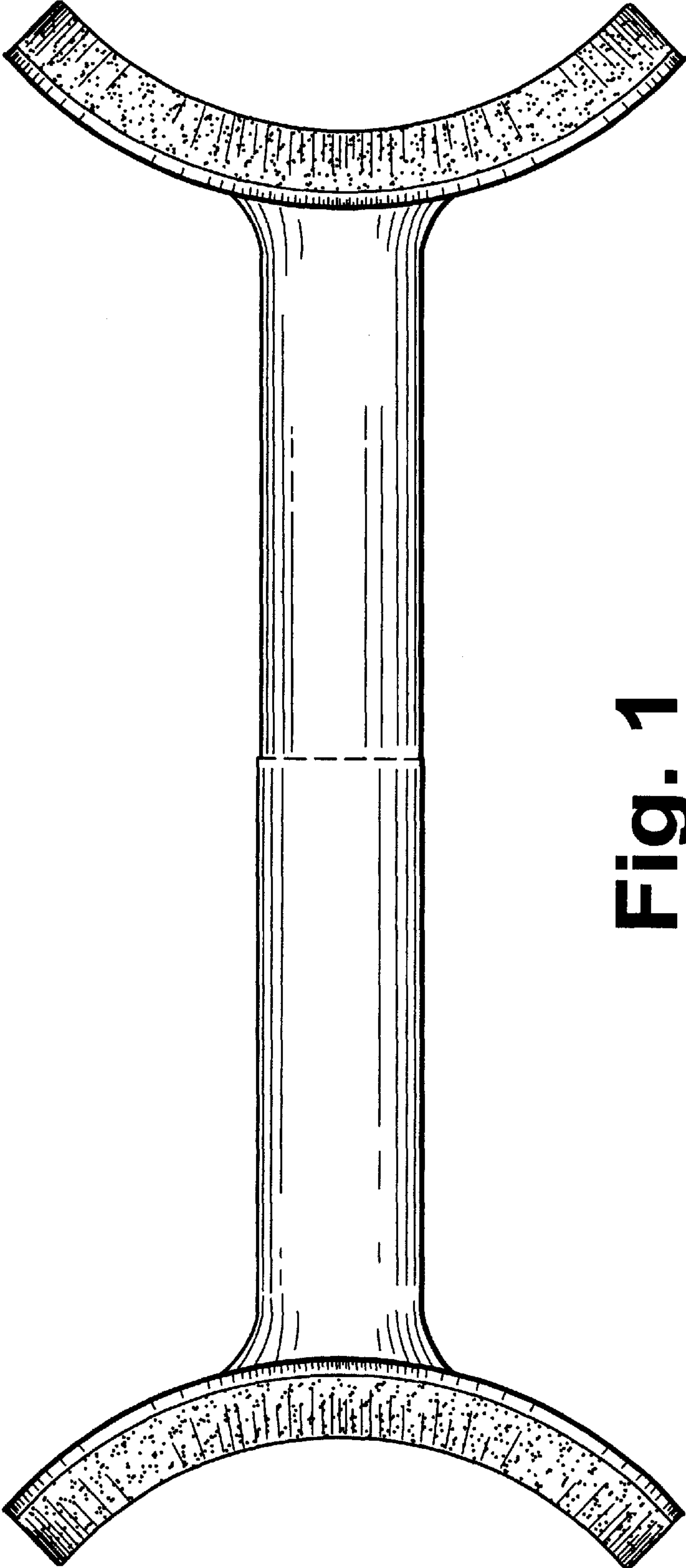
**DESCRIPTION**

FIG. 1 is a front view of the new design;  
FIG. 2 is a top view of the new design; and,  
FIG. 3 is an enlarged left side perspective view of the new design.  
The broken line showing of FIGS. 1-3 are for illustrative purposes only and forms no part of the claimed design.  
The back view is identical to the front view. The bottom view is identical to the top view. The right side perspective view is identical to the left side perspective view.

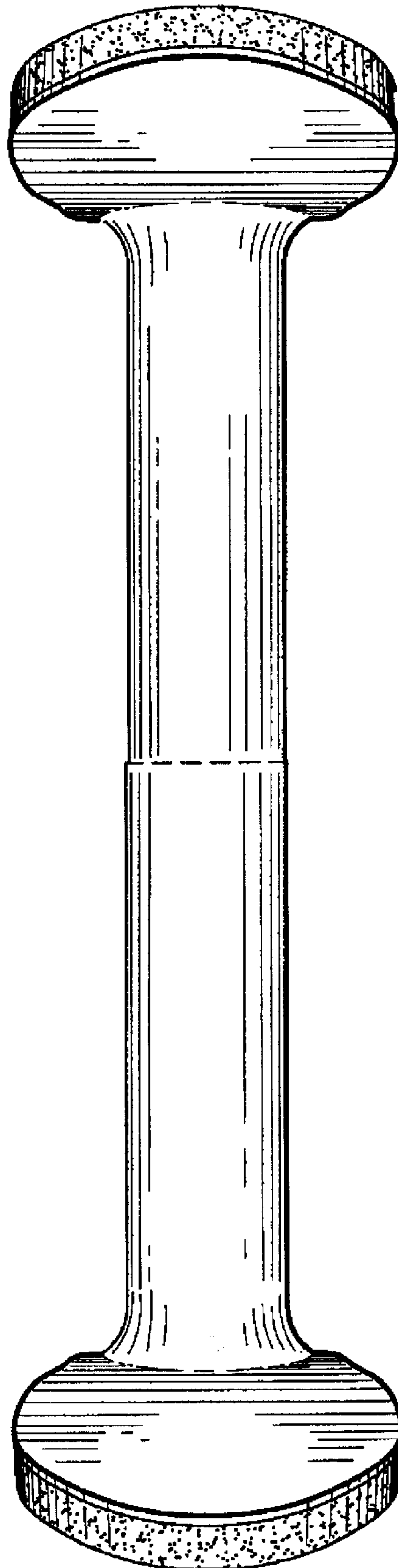
- (56) **References Cited**  
U.S. PATENT DOCUMENTS
- |             |         |                 |
|-------------|---------|-----------------|
| 1,023,756 A | 4/1912  | Pons            |
| 2,106,994 A | 2/1938  | Chapman         |
| 2,132,862 A | 10/1938 | Pilates         |
| 3,268,225 A | 8/1966  | Kolbel          |
| 3,741,539 A | 6/1973  | Hutchins et al. |
| 3,746,339 A | 7/1973  | Cox             |
| 3,759,514 A | 9/1973  | Cox             |
| 3,761,083 A | 9/1973  | Buchner         |
| 4,022,463 A | 5/1977  | Scott, Jr.      |
| 4,211,404 A | 7/1980  | Blowsky et al.  |

**1 Claim, 3 Drawing Sheets**

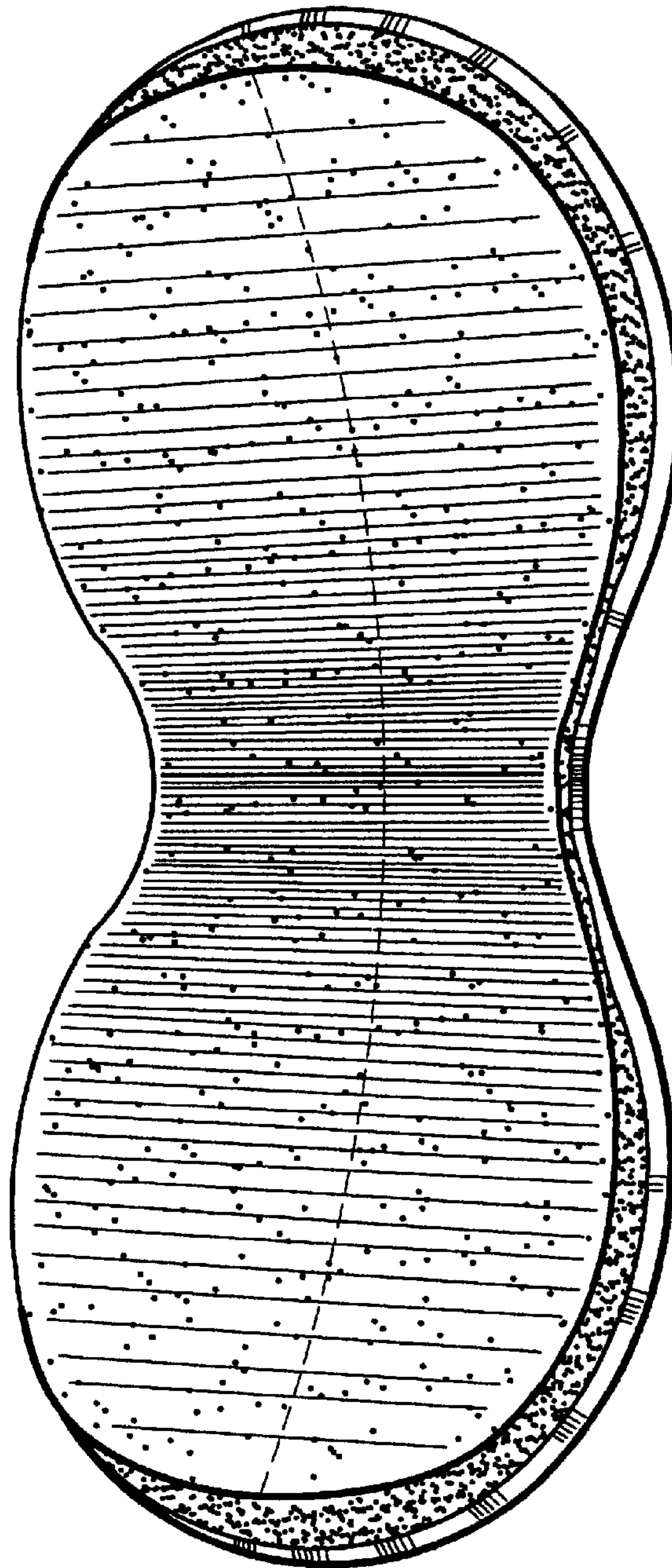




**Fig. 1**



**Fig. 2**



**Fig. 3**