



US00D519585S

(12) **United States Design Patent** (10) **Patent No.:** **US D519,585 S**
Webber (45) **Date of Patent:** **** Apr. 25, 2006**

(54) **FOLDING EXERCISE BENCH**

(76) Inventor: **Randall T. Webber**, 1265 Park Row,
La Jolla, CA (US) 92037

(**) Term: **14 Years**

(21) Appl. No.: **29/218,522**

(22) Filed: **Dec. 3, 2004**

(51) **LOC (8) Cl.** **21-02**

(52) **U.S. Cl.** **D21/690; D21/676**

(58) **Field of Classification Search** D21/662,
D21/676, 686, 690; 482/104, 133, 140, 142
See application file for complete search history.

(56) **References Cited**

U.S. PATENT DOCUMENTS

1,350,857	A *	8/1920	De Cano	108/124
D314,026	S *	1/1991	Jennings	D21/676
5,353,533	A *	10/1994	Meade	38/103
D361,808	S *	8/1995	Yeh	D21/676
5,462,510	A	10/1995	Ish, III	
D366,917	S *	2/1996	Clem	D21/690
5,637,059	A	6/1997	Dalebout	
D399,543	S *	10/1998	Stevens	D21/676
5,921,897	A *	7/1999	Stevens	482/104
5,993,360	A *	11/1999	Stevens	482/104
D425,153	S *	5/2000	Grider	D21/690
6,264,586	B1	7/2001	Webber	
6,287,243	B1	9/2001	Isom et al.	
D455,803	S	4/2002	Webber	
6,605,023	B1	8/2003	Mobley	
6,645,130	B1	11/2003	Webber	
2003/0134730	A1 *	7/2003	Deola	482/130
2005/0143233	A1 *	6/2005	Shifferaw	482/130
2005/0197238	A1 *	9/2005	Parker	482/142

OTHER PUBLICATIONS

Kettler Universal Bench—www.ukfitnesssupplies.co.uk/mall/productpage.cfm/UKFitnessSuppliesLtd/7410600.
Downloaded Oct. 25, 2005.*

Fig. 12 Gym 80, Basics Brochure, date unknown.

Figs. 13–15 Power Block Online Catalog, www.power-block.com; earliest date unknown.

Figs. 16–17 Hoist Fitness Systems CF-2165A Assembly, Hoist Fitness Brochure and Owner's Manual, 2001.

Figs. 18–23 Photographs of Fittec Total Body Workout Bench, 2001.

* cited by examiner

Primary Examiner—Philip S. Hyder

Assistant Examiner—RoseLynne Ulm

(74) *Attorney, Agent, or Firm*—Gordon & Rees LLP

(57) **CLAIM**

The ornamental design for a folding exercise bench, as shown.

DESCRIPTION

FIG. 1 is a front perspective view of a folding exercise bench in an upright position, showing my new design;

FIG. 2 is a rear perspective view thereof;

FIG. 3 is a side elevational view thereof;

FIG. 4 is a rear elevational view thereof;

FIG. 5 is a front elevational view thereof;

FIG. 6 is a side elevational view of the bench showing the back rest in a different position;

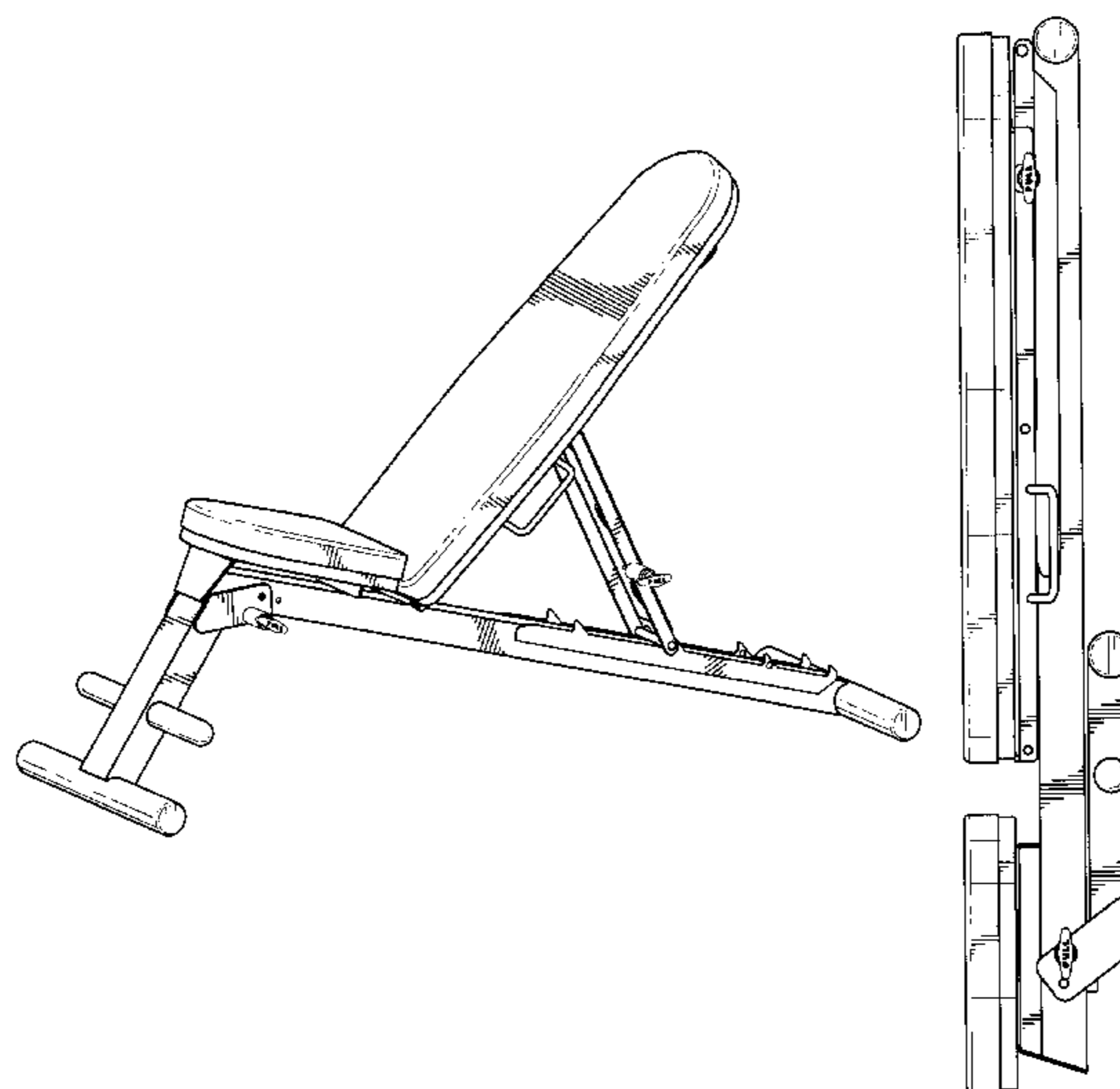
FIG. 7 is a side elevational view of the bench showing the back rest in a fully reclined position;

FIG. 8 is a top plan view with the bench in a fully folded position;

FIG. 9 is a side elevational view of the bench in the fully folded position; and,

FIG. 10 is a bottom plan view of the bench in the fully folded position.

1 Claim, 6 Drawing Sheets



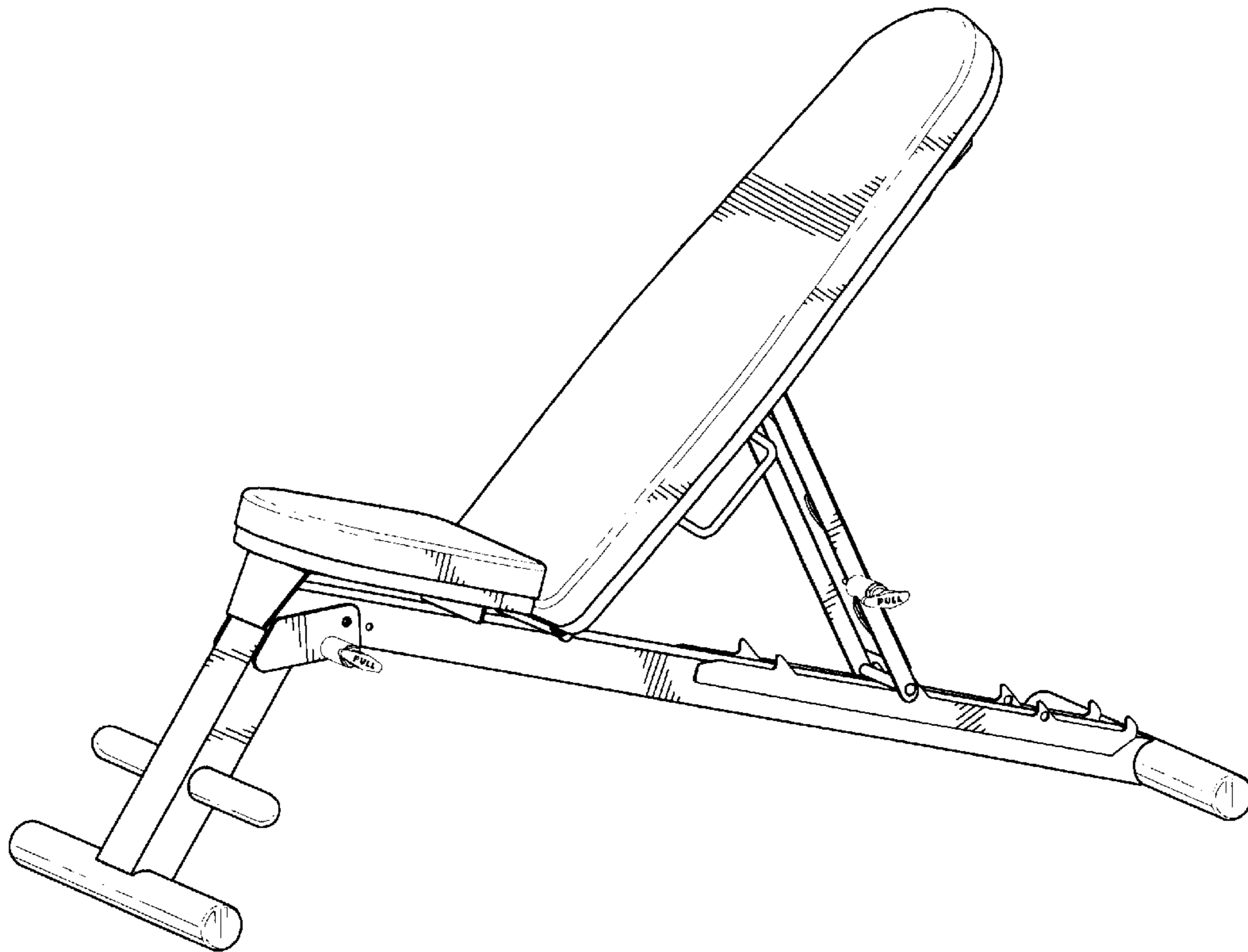


FIG. 1

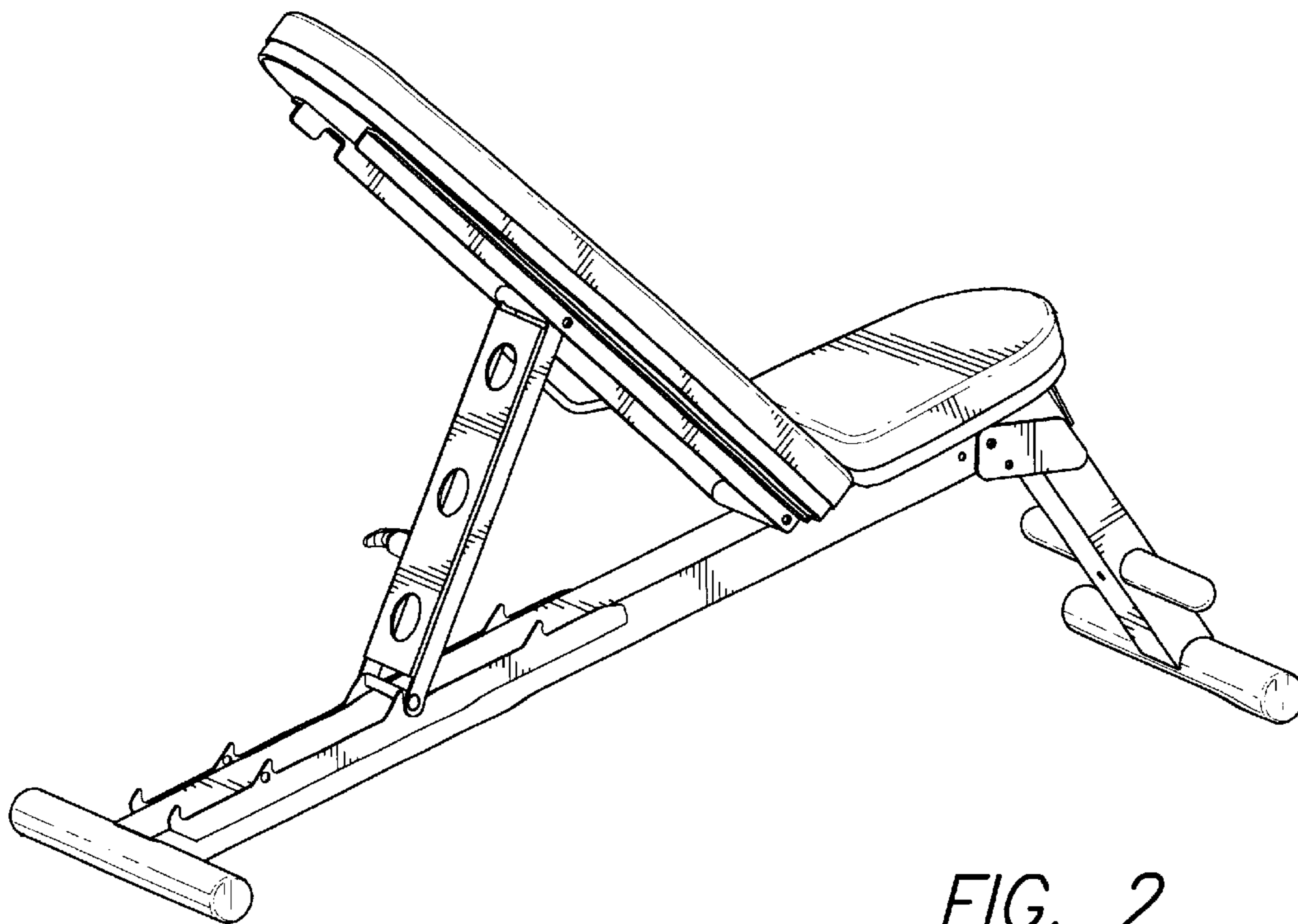


FIG. 2

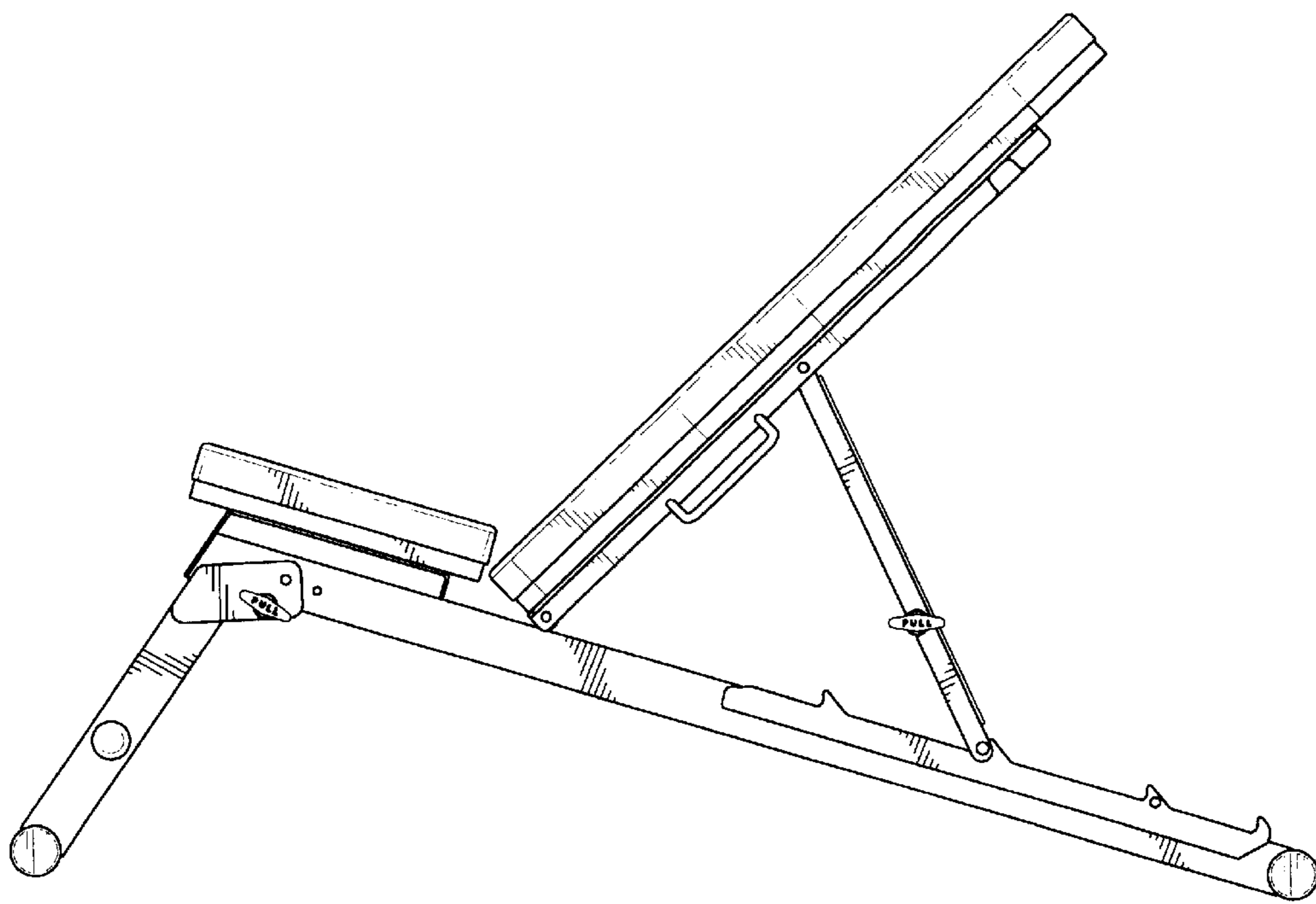


FIG. 3

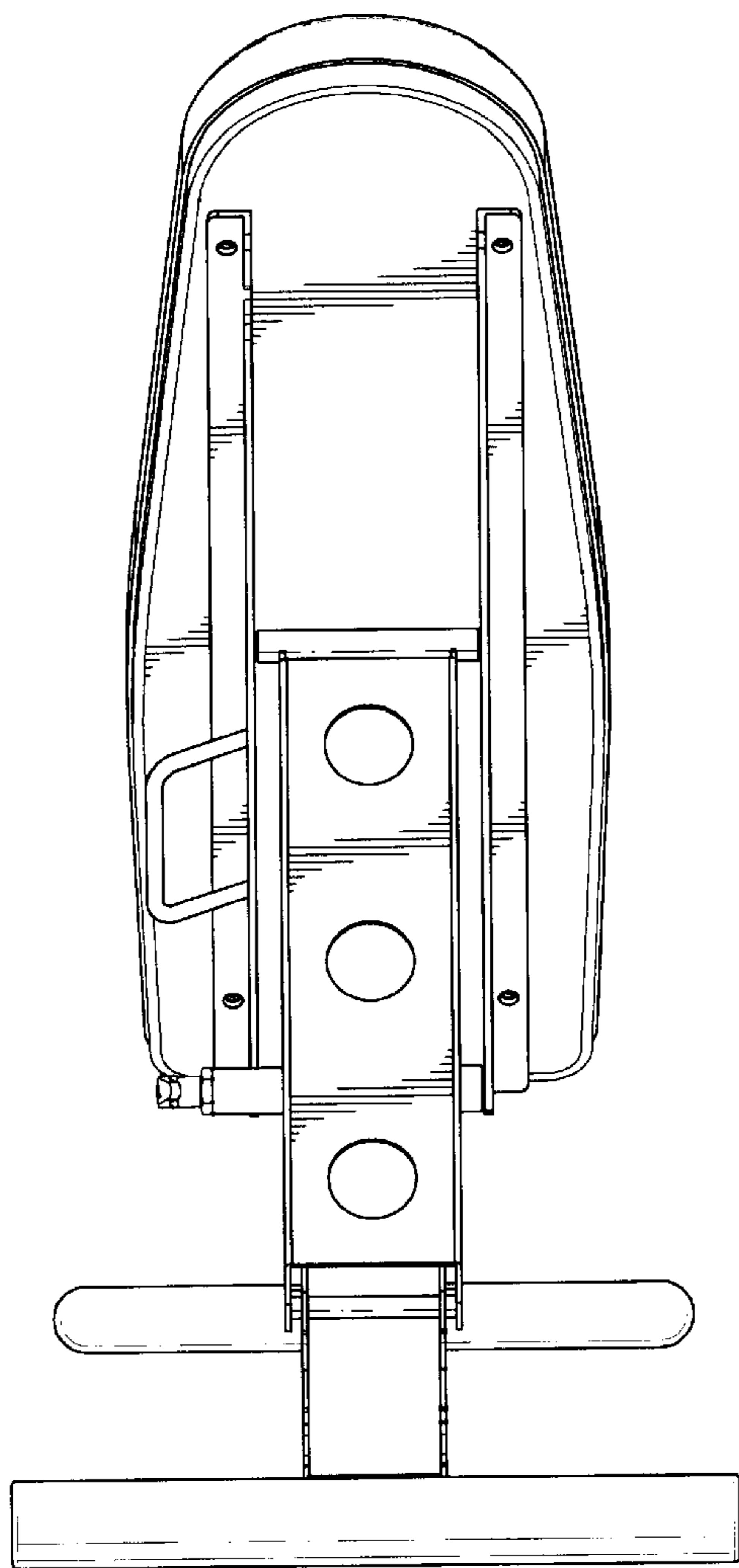


FIG. 4

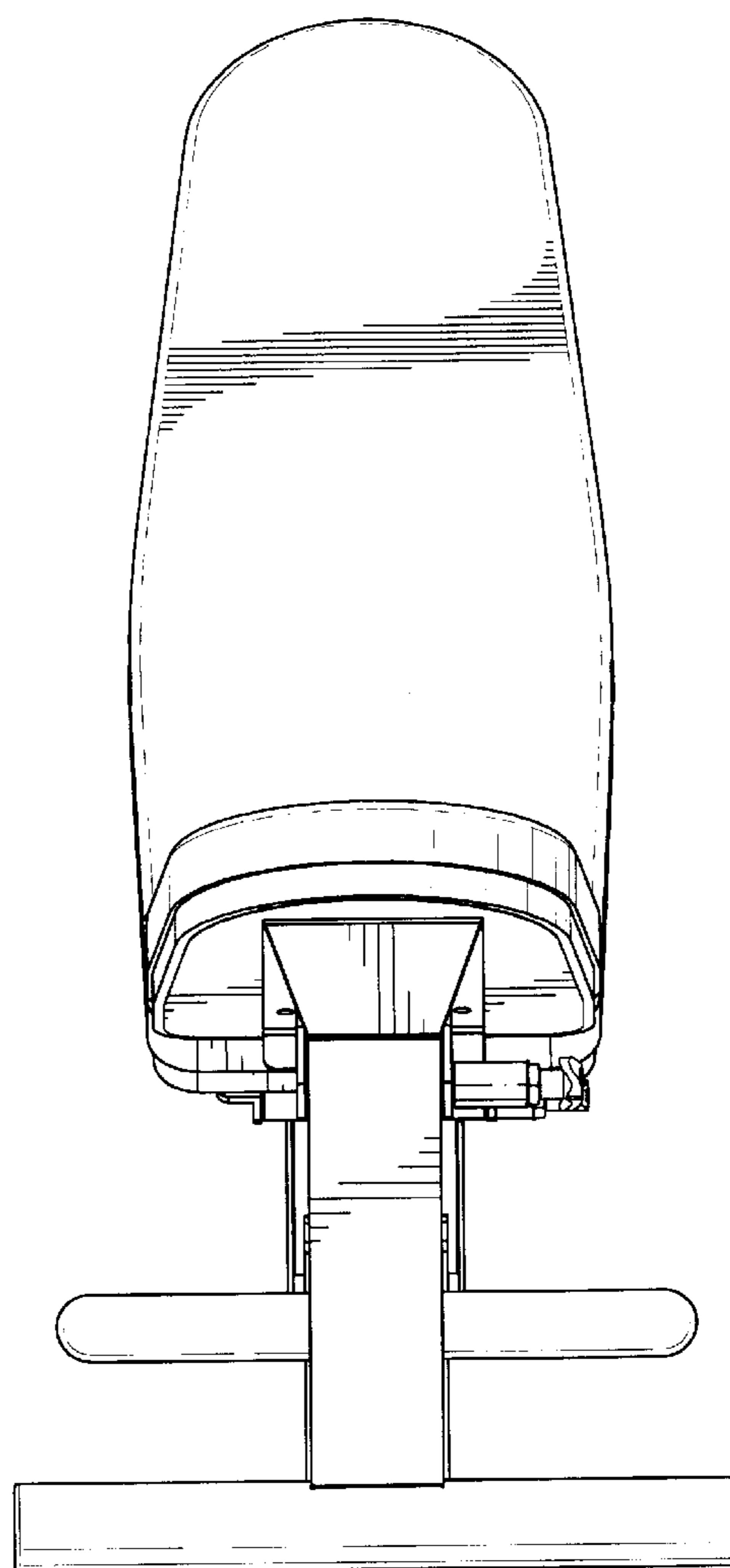


FIG. 5

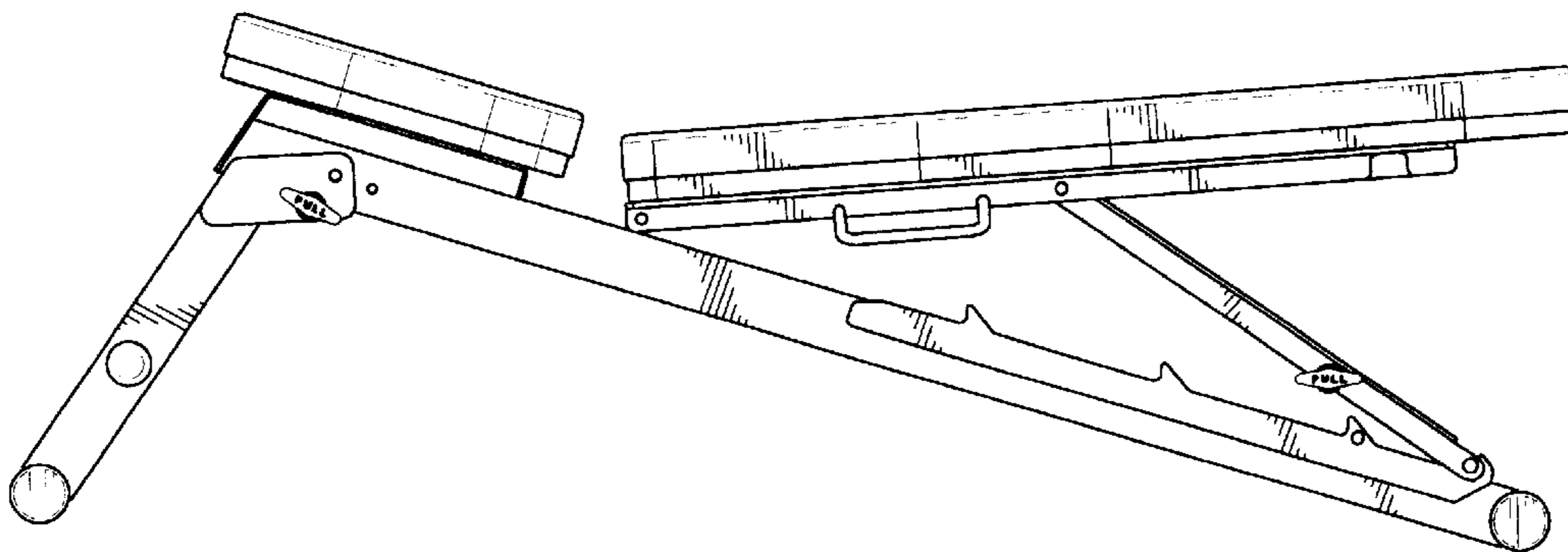


FIG. 6

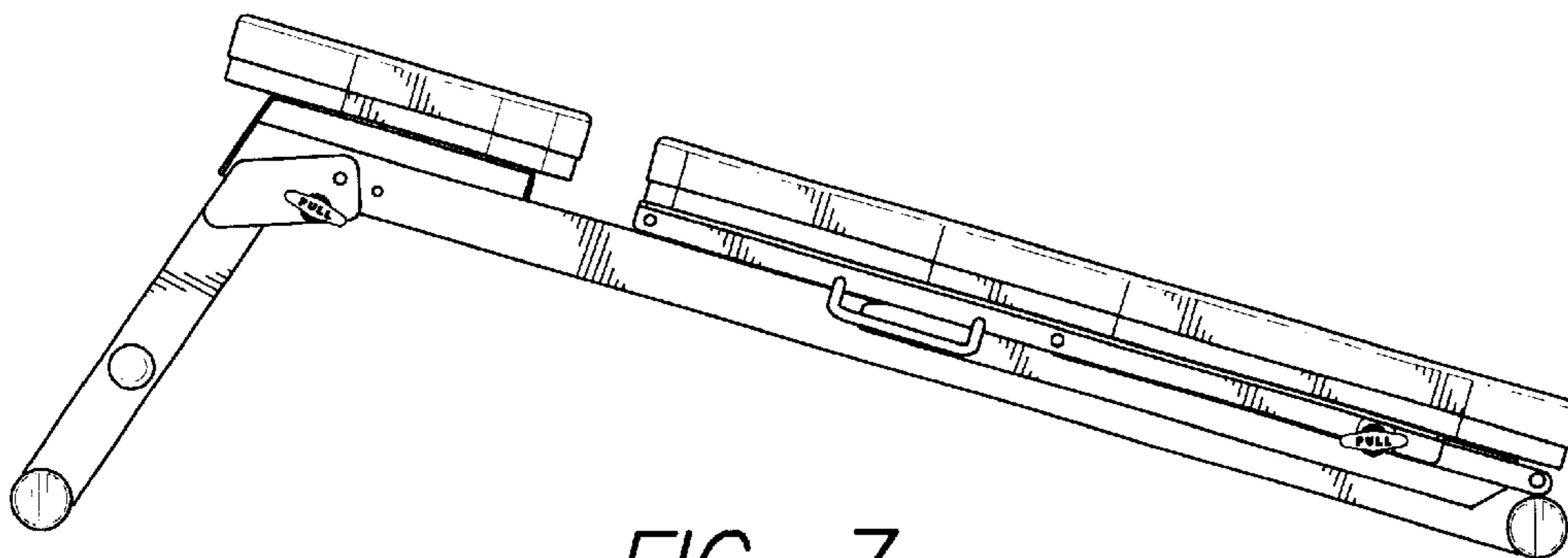


FIG. 7

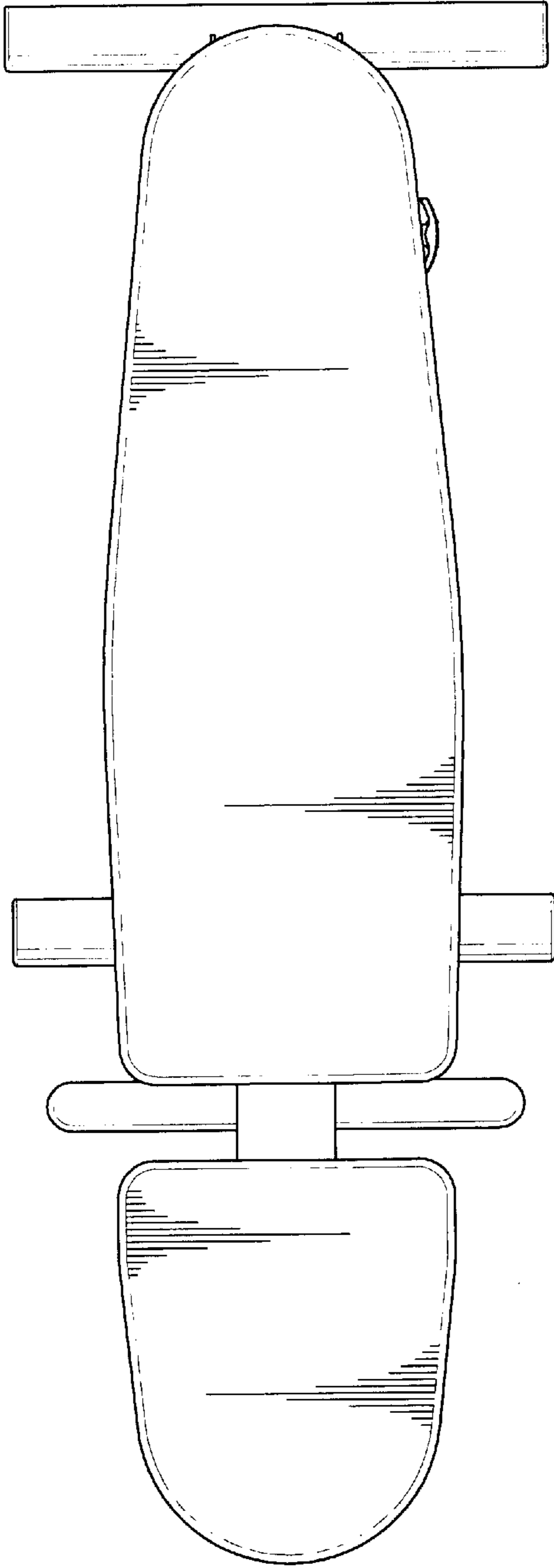


FIG. 8

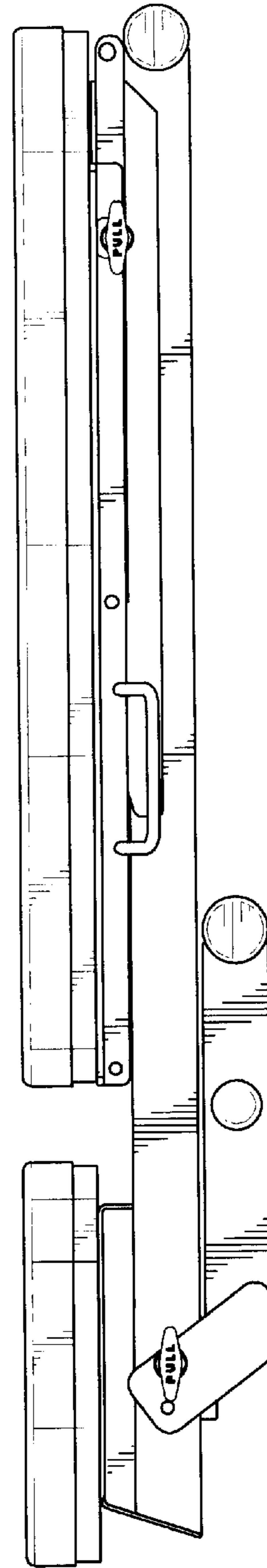


FIG. 9

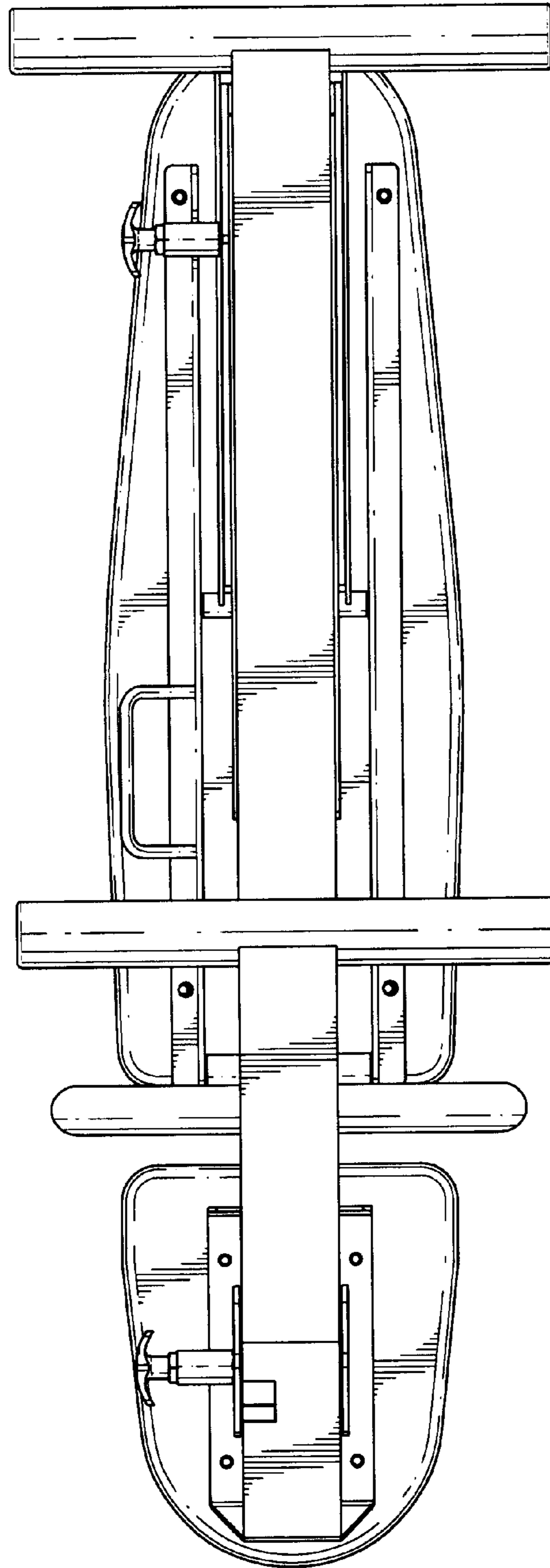


FIG. 10