



US00D519583S

(12) **United States Design Patent**
Chen

(10) **Patent No.:** **US D519,583 S**

(45) **Date of Patent:** **** Apr. 25, 2006**

(54) **TREADING EXERCISE MACHINE**

(76) **Inventor:** **Tsung-Yu Chen**, 235 Chung-Ho Box
8-24, Taipei (TW)

(**) **Term:** **14 Years**

(21) **Appl. No.:** **29/214,900**

(22) **Filed:** **Oct. 13, 2004**

(51) **LOC (8) Cl.** **21-02**

(52) **U.S. Cl.** **D21/668**

(58) **Field of Classification Search** D21/663,
D21/662, 668, 669, 670; 482/51, 52, 53,
482/54, 57, 70, 79

See application file for complete search history.

(56) **References Cited**

U.S. PATENT DOCUMENTS

5,199,934	A	*	4/1993	Lin	482/79
5,230,674	A	*	7/1993	Terauds	482/52
5,304,105	A	*	4/1994	Hsieh	482/53
D348,708	S	*	7/1994	Chen	D21/670
D349,542	S	*	8/1994	Russell	D21/670
5,348,520	A	*	9/1994	Chang	482/52

D456,052	S	*	4/2002	Steves	D21/670
D461,211	S	*	8/2002	Kuo	D21/670
D465,001	S	*	10/2002	Chiang-Chow	D21/670
D466,567	S	*	12/2002	Chen et al.	D21/670
D481,085	S	*	10/2003	Ben-Moshe	D21/670
D496,700	S	*	9/2004	Chen	D21/670
6,830,539	B1	*	12/2004	Chuang	482/53

* cited by examiner

Primary Examiner—Philip S. Hyder

(57) **CLAIM**

The ornamental design for a treading exercise machine, as shown and described.

DESCRIPTION

FIG. 1 is a perspective view of a treading exercise machine showing my new design.

FIG. 2 is a front elevational view thereof.

FIG. 3 is a rear elevational view thereof.

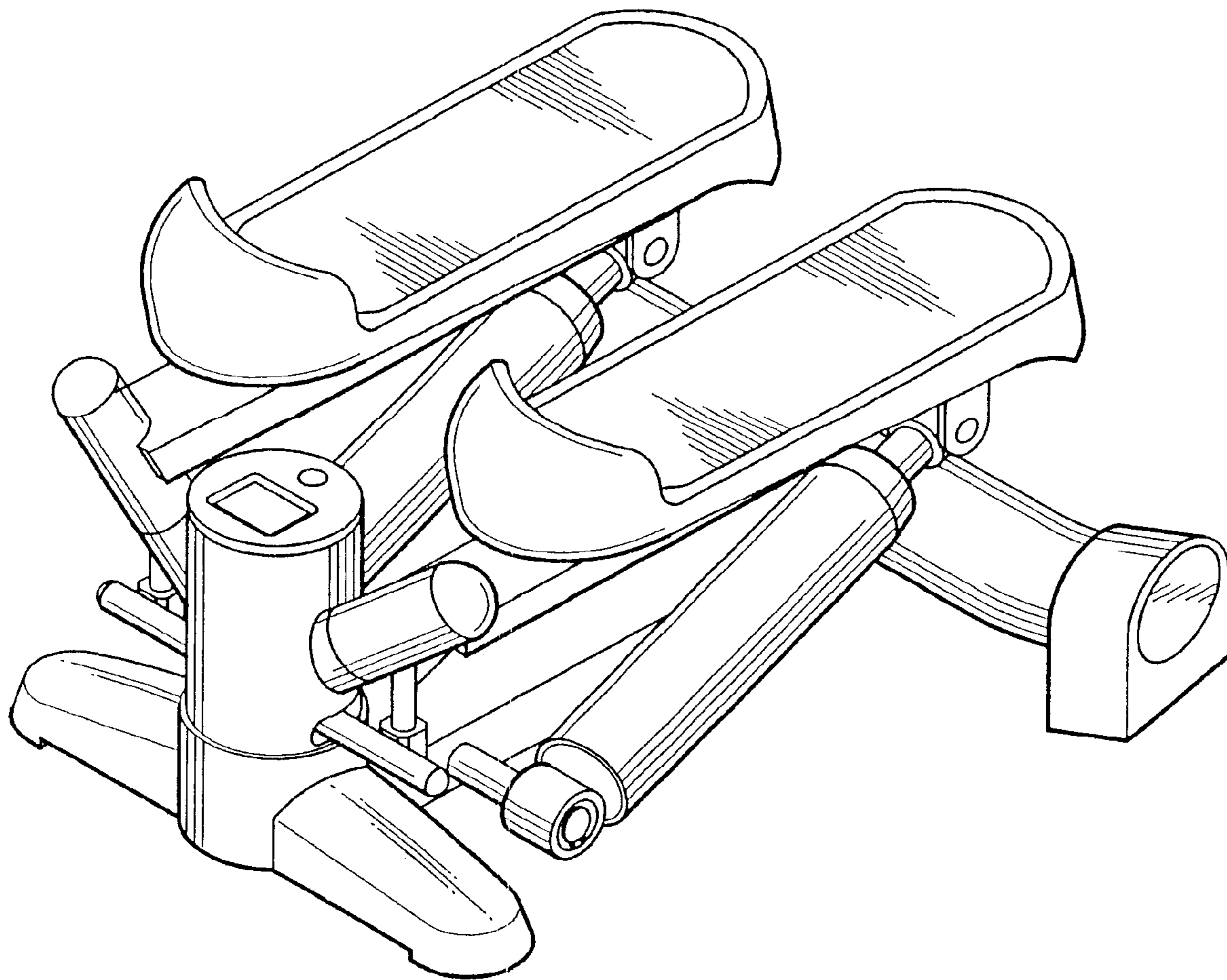
FIG. 4 is a left side view thereof.

FIG. 5 is a right side view thereof.

FIG. 6 is a top plan view thereof; and,

FIG. 7 is a bottom plan view thereof.

1 Claim, 5 Drawing Sheets



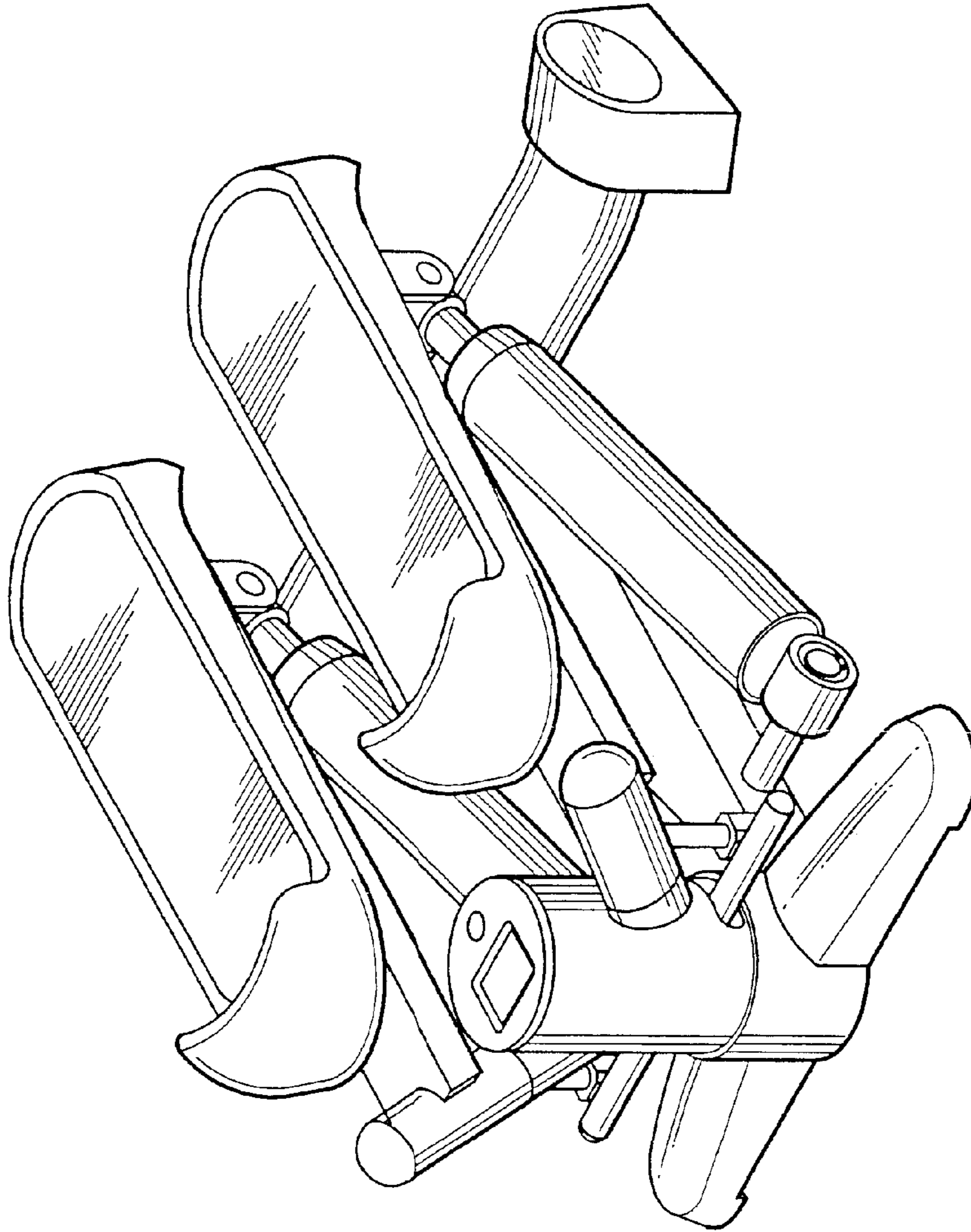


FIG. 1

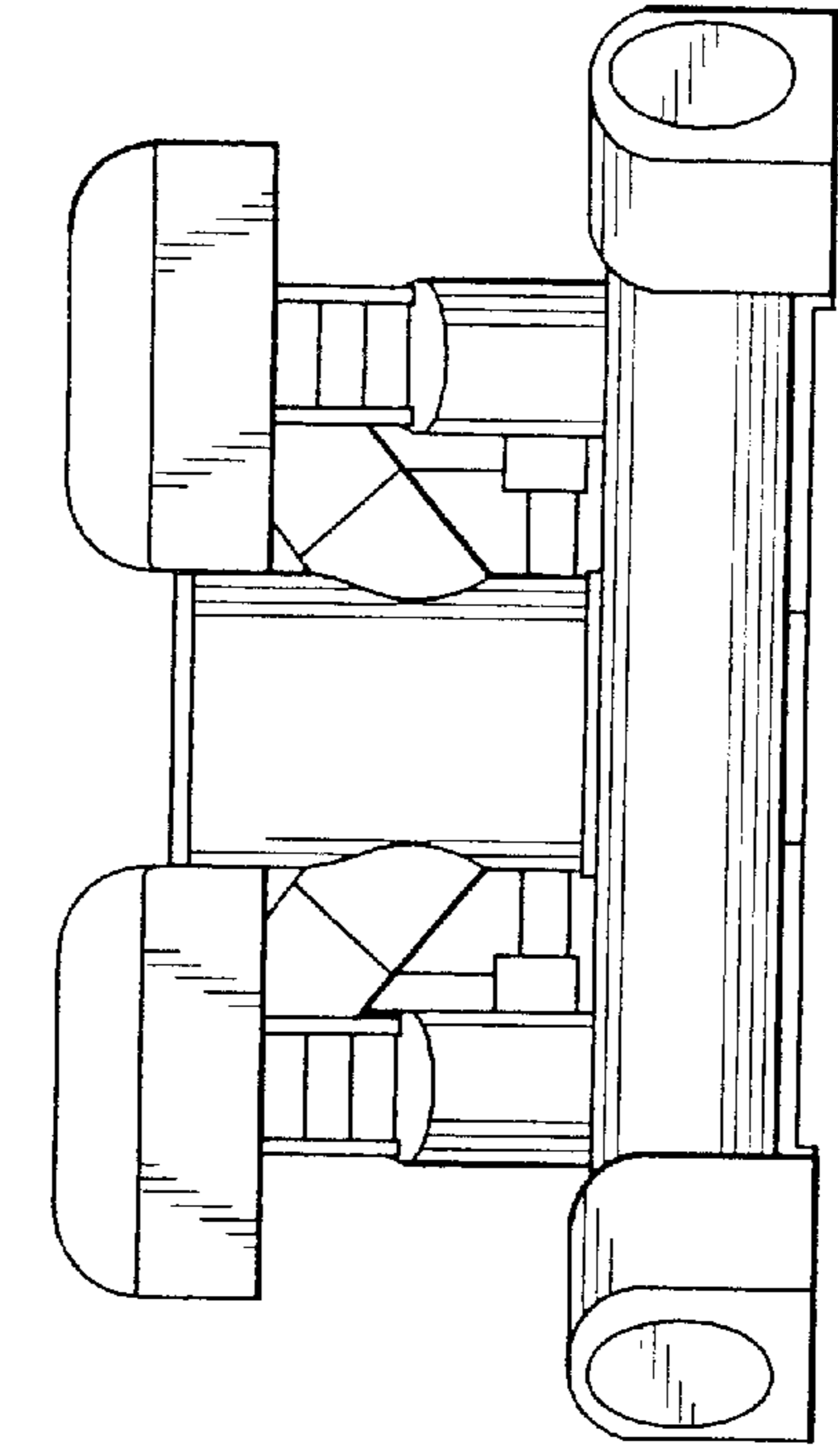


FIG. 2

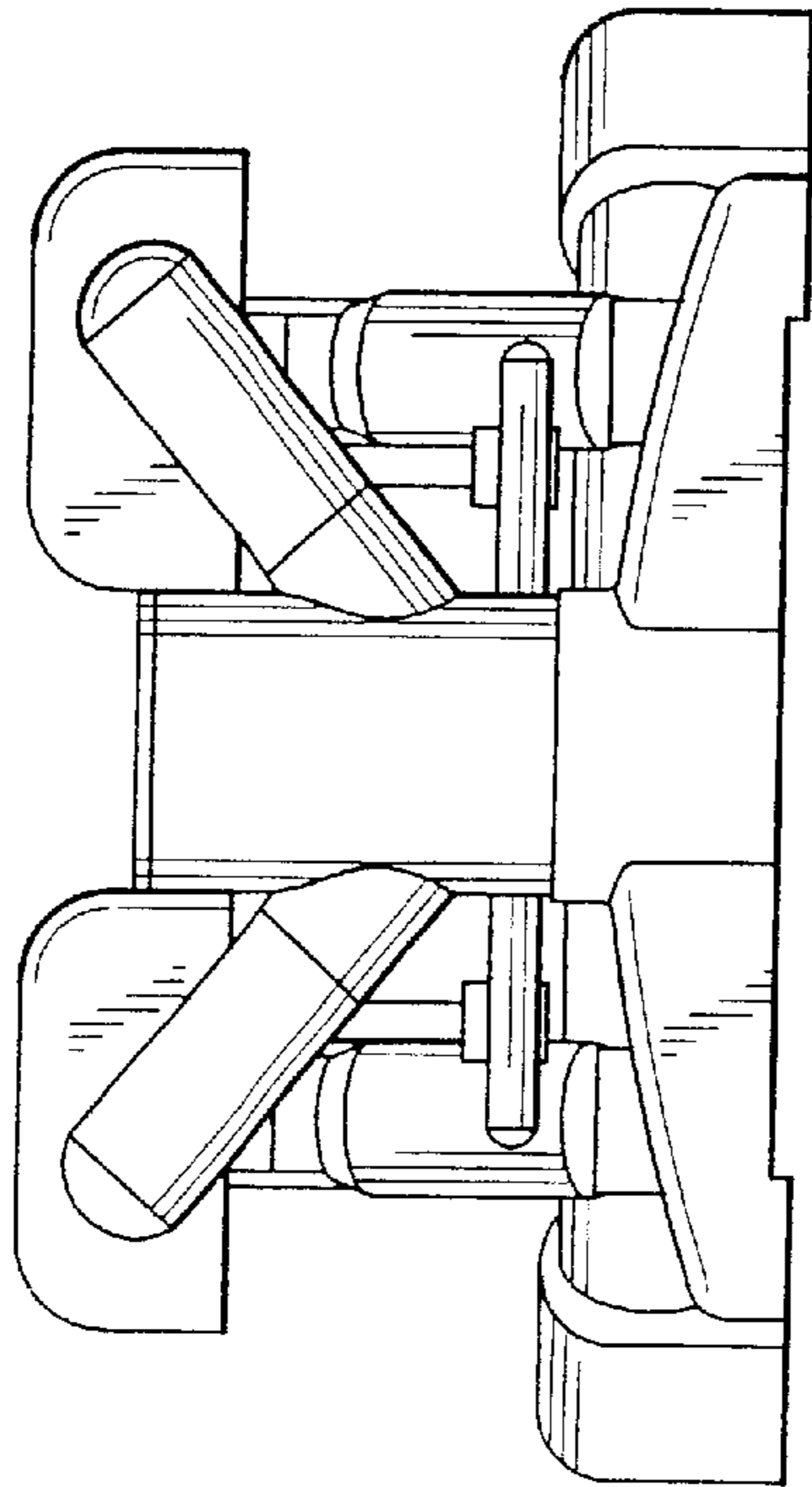


FIG. 3

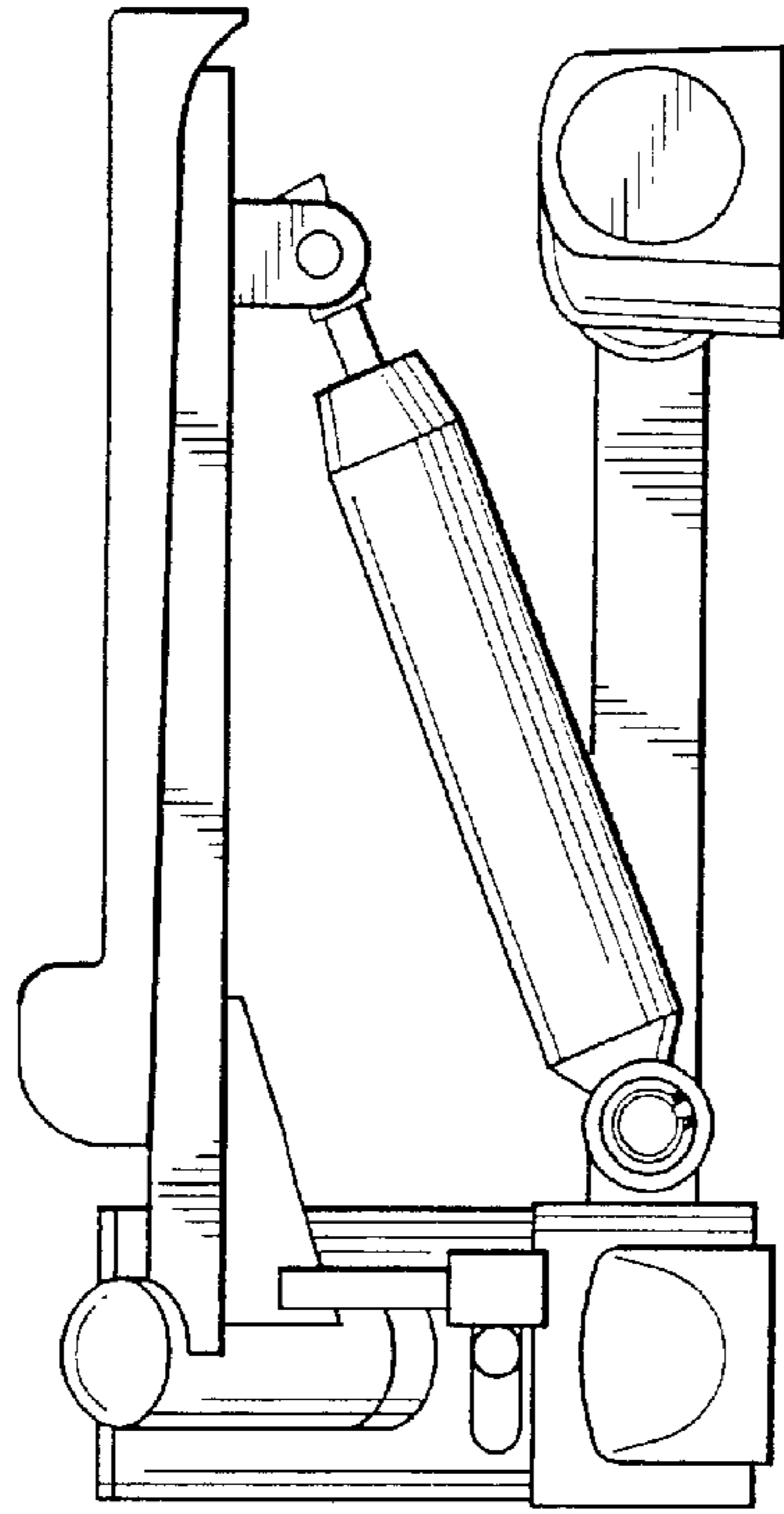


FIG. 5

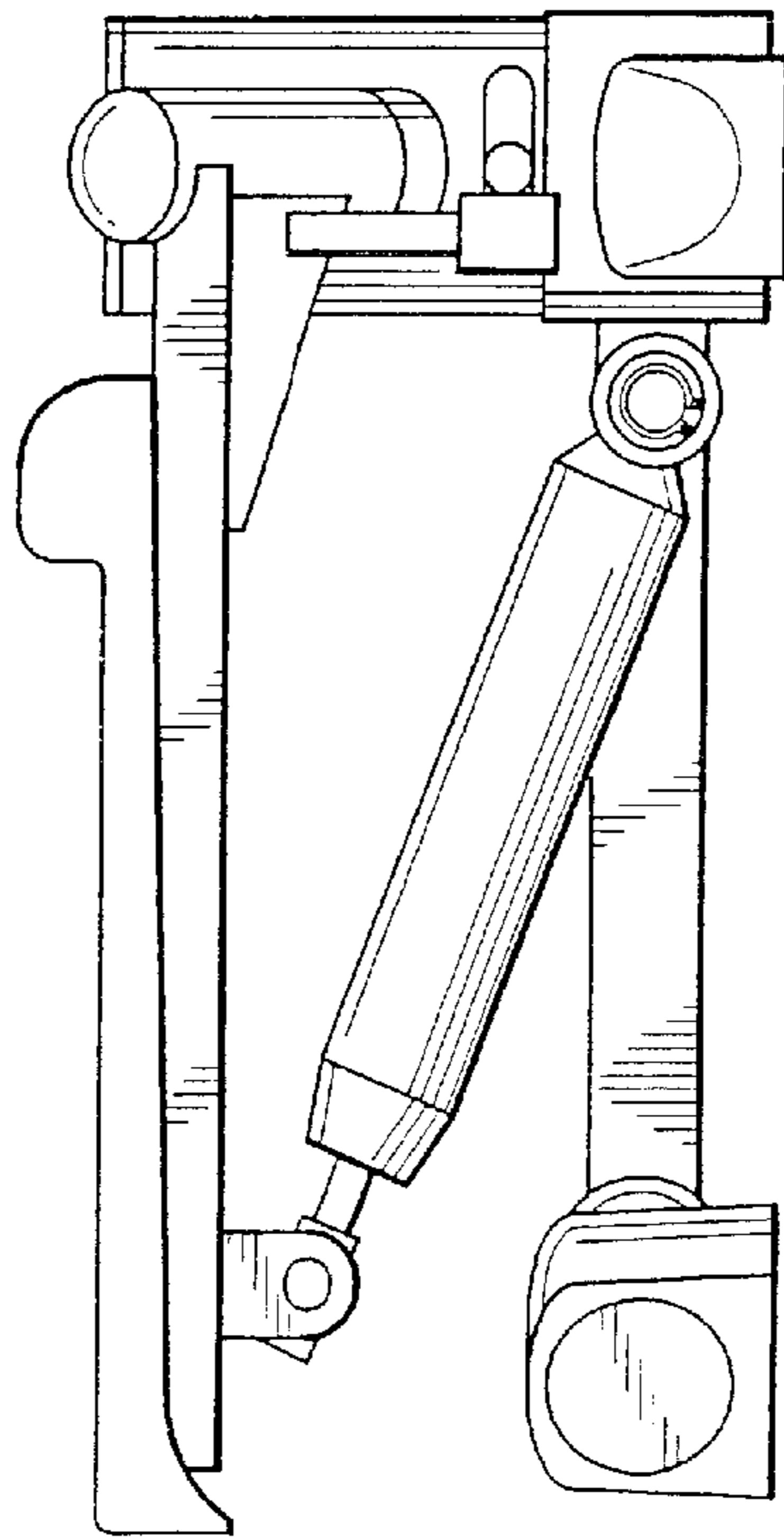


FIG. 4

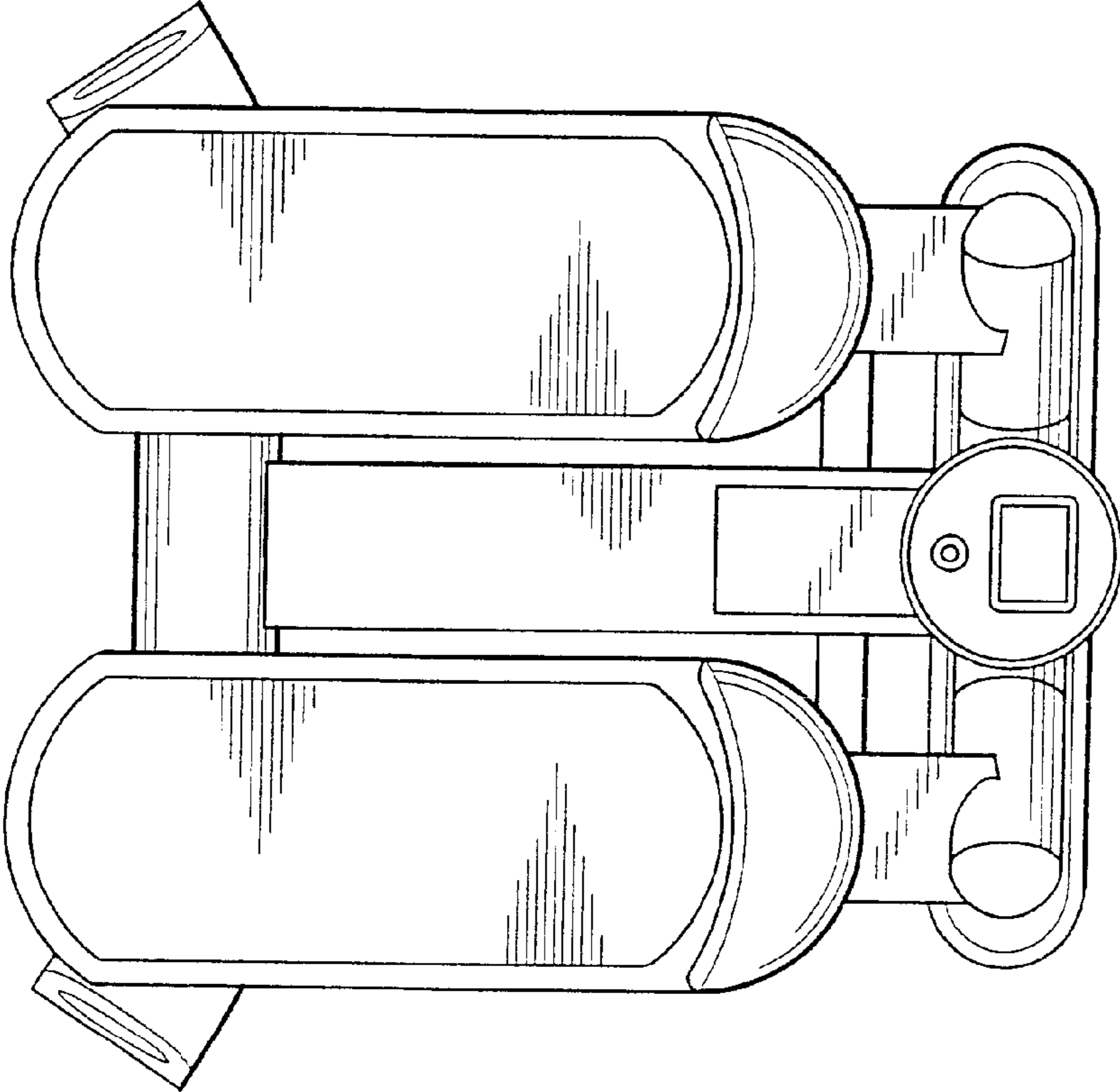


FIG. 6

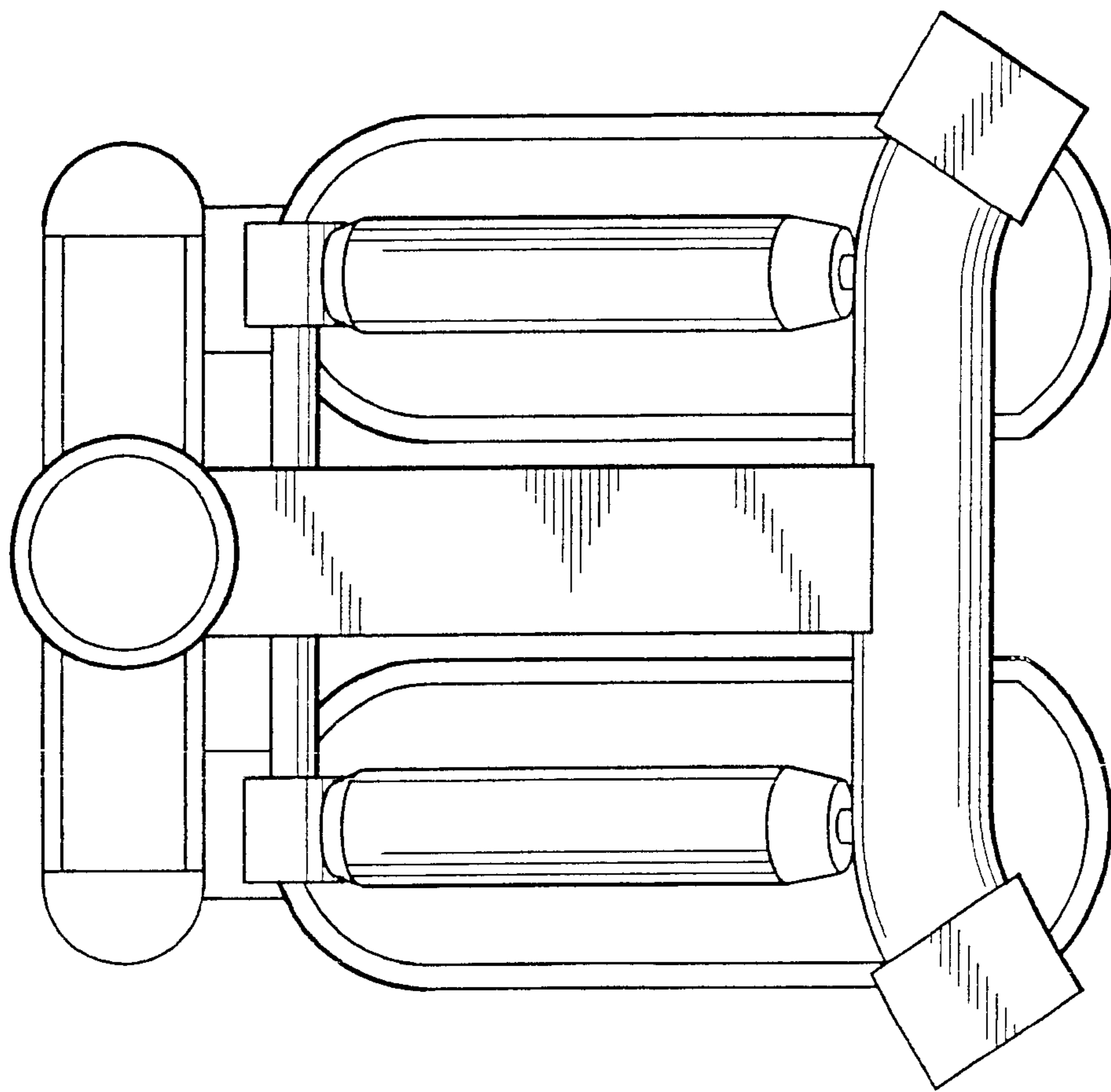


FIG. 7