



US00D519576S

(12) **United States Design Patent**  
**Wagg**

(10) **Patent No.:** **US D519,576 S**

(45) **Date of Patent:** **\*\* Apr. 25, 2006**

(54) **SHAPED TOP BOX FOR GAMING MACHINES**

(75) Inventor: **Peter Wagg**, Fernley, NV (US)

(73) Assignee: **Bally Gaming International, Inc**, Las Vegas, NV (US)

(\*\*) Term: **14 Years**

(21) Appl. No.: **29/214,461**

(22) Filed: **Oct. 1, 2004**

(51) **LOC (8) Cl.** ..... **21-01**

(52) **U.S. Cl.** ..... **D21/385; D21/369**

(58) **Field of Classification Search** ..... D21/325,  
D21/329, 369-371, 374, 385; 273/138.1;  
463/16-17, 20, 25, 42, 46-47

See application file for complete search history.

(56) **References Cited**

**U.S. PATENT DOCUMENTS**

5,813,914	A	*	9/1998	McKay et al.	.....	463/46
D404,436	S	*	1/1999	McGahn et al.	.....	D21/370
D412,347	S	*	7/1999	DeSimone et al.	.....	D21/370
D450,096	S	*	11/2001	Legras et al.	.....	D21/385

6,923,718	B1	*	8/2005	Brossard	.....	463/16
2004/0137979	A1	*	7/2004	Rose	.....	463/16
2004/0192433	A1	*	9/2004	Johnson	.....	463/20
2004/0192436	A1	*	9/2004	Seelig et al.	.....	463/25
2004/0229674	A1	*	11/2004	Thomas	.....	463/16
2004/0235556	A1	*	11/2004	Flemming et al.	.....	463/20
2005/0009595	A1	*	1/2005	Boyd et al.	.....	463/16
2005/0014547	A1	*	1/2005	Gomez et al.	.....	463/16

\* cited by examiner

*Primary Examiner*—Sandra L. Morris

(74) *Attorney, Agent, or Firm*—Russ F. Marsden

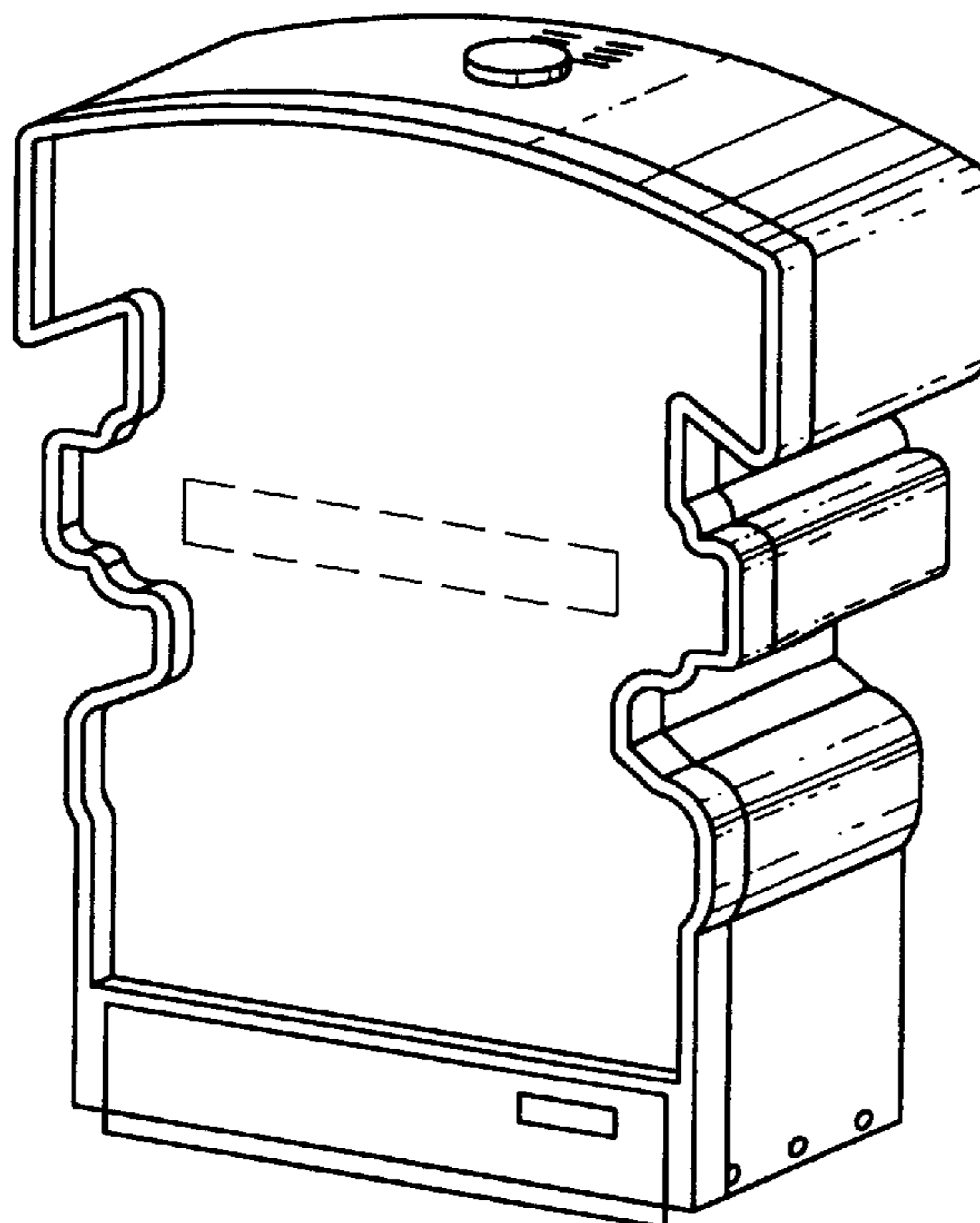
(57) **CLAIM**

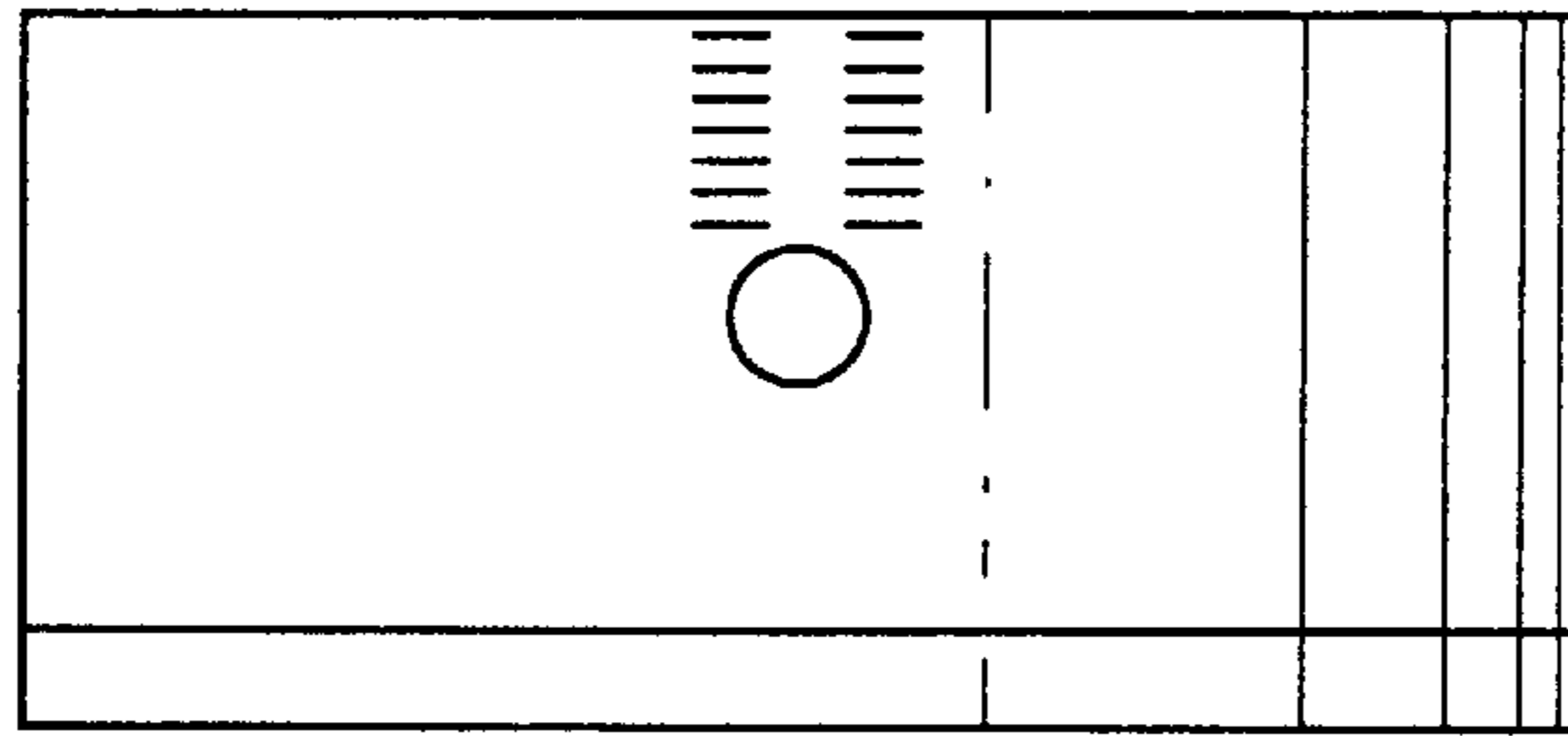
The ornamental design for a shaped top box for gaming machines, as shown and described.

**DESCRIPTION**

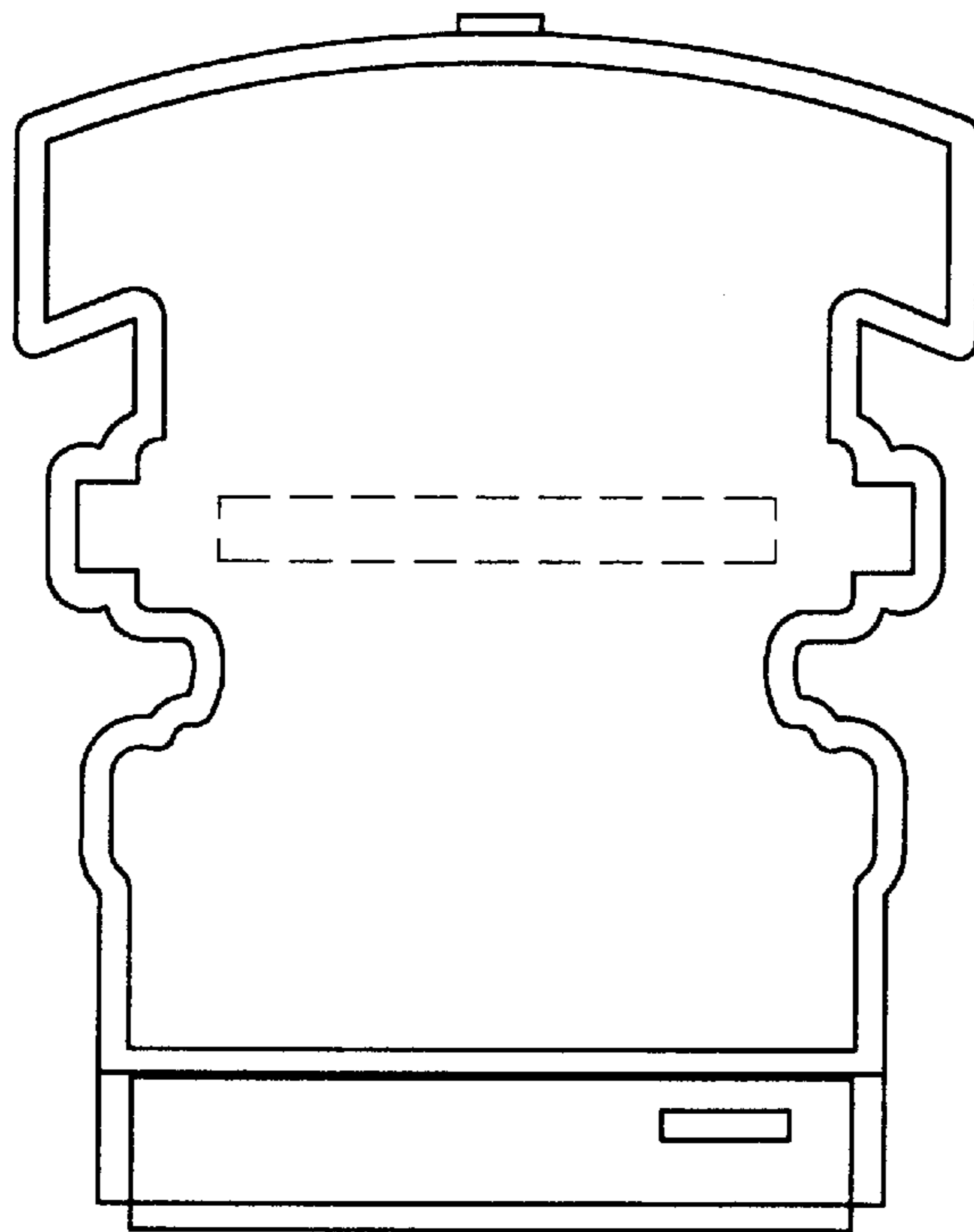
FIG. 1 is a front elevational view of a shaped top box for gaming machines, showing my new design;  
FIG. 2 is a top plan view thereof;  
FIG. 3 is a left side elevational view thereof;  
FIG. 4 is a right side elevational view thereof; and,  
FIG. 5 is a perspective view thereof.

**1 Claim, 2 Drawing Sheets**

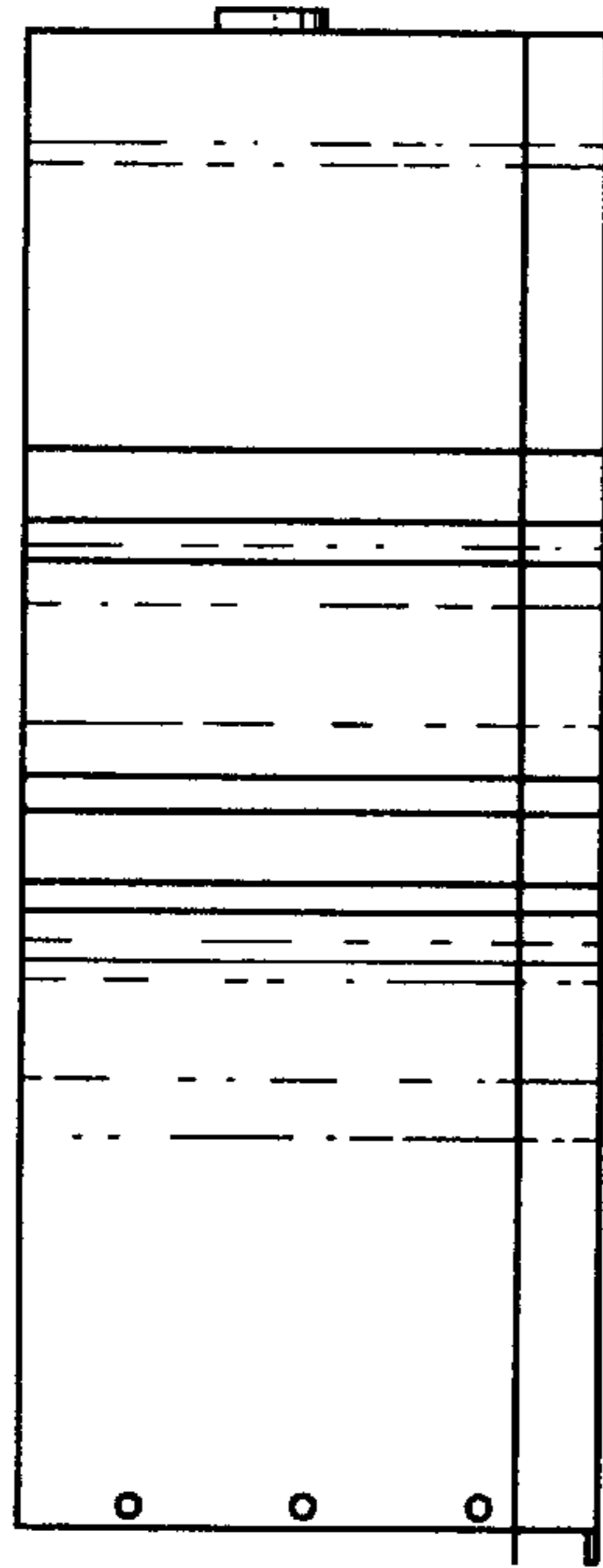




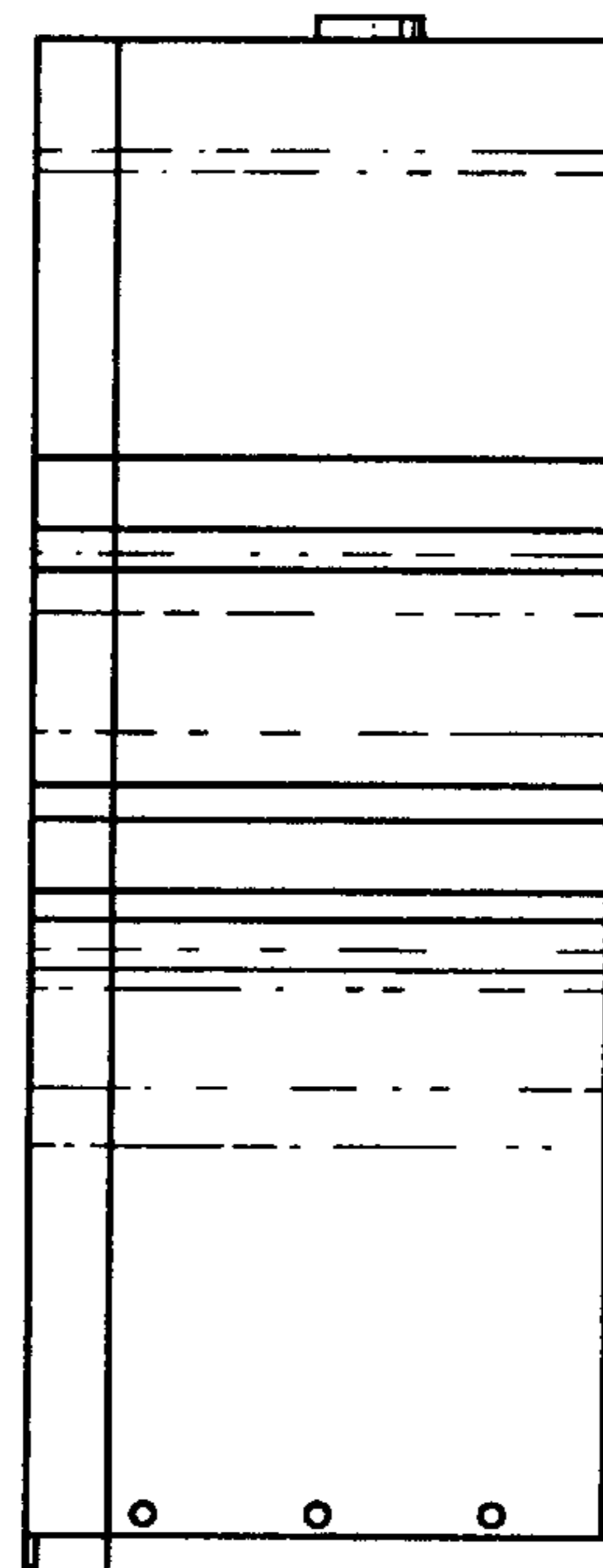
*FIG. 2*



*FIG. 1*



*FIG. 3*



*FIG. 4*

*FIG. 5*

