



US00D519571S

(12) **United States Design Patent** (10) **Patent No.:** **US D519,571 S**  
**Myers** (45) **Date of Patent:** **\*\* Apr. 25, 2006**

(54) **SHAPED TOP BOX FOR GAMING MACHINES**

(75) Inventor: **Gordon H. Myers**, Reno, NV (US)

(73) Assignee: **Bally Gaming International, Inc.**, Las Vegas, NV (US)

(\*\*) Term: **14 Years**

(21) Appl. No.: **29/214,364**

(22) Filed: **Sep. 30, 2004**

(51) **LOC (8) Cl.** ..... **21-01**

(52) **U.S. Cl.** ..... **D21/385; D21/369**

(58) **Field of Classification Search** ..... D21/325,  
D21/329, 369-371, 374, 385; 273/138.1;  
463/16-17, 20, 25, 42, 46-47

See application file for complete search history.

(56) **References Cited**

U.S. PATENT DOCUMENTS

5,813,914 A \* 9/1998 McKay et al. .... 463/46  
D404,436 S \* 1/1999 McGahn et al. .... D21/370  
D412,347 S \* 7/1999 DeSimone et al. .... D21/370  
D432,277 S \* 10/2000 Seelig et al. .... D21/385

D450,096 S \* 11/2001 Legras et al. .... D21/385  
D462,397 S \* 9/2002 Baker et al. .... D21/333  
D462,399 S \* 9/2002 Seelig et al. .... D21/370  
6,923,718 B1 \* 8/2005 Brossard ..... 463/16  
D510,752 S \* 10/2005 Baerlocher ..... D21/370  
2004/0137979 A1 \* 7/2004 Rose ..... 463/16  
2004/0192433 A1 \* 9/2004 Johnson ..... 463/20  
2005/0014555 A1 \* 1/2005 Seelig et al. .... 463/20  
2005/0192436 A1 \* 9/2005 Komiya ..... 536/124

\* cited by examiner

*Primary Examiner*—Sandra L. Morris

(74) *Attorney, Agent, or Firm*—Russ F. Marsden

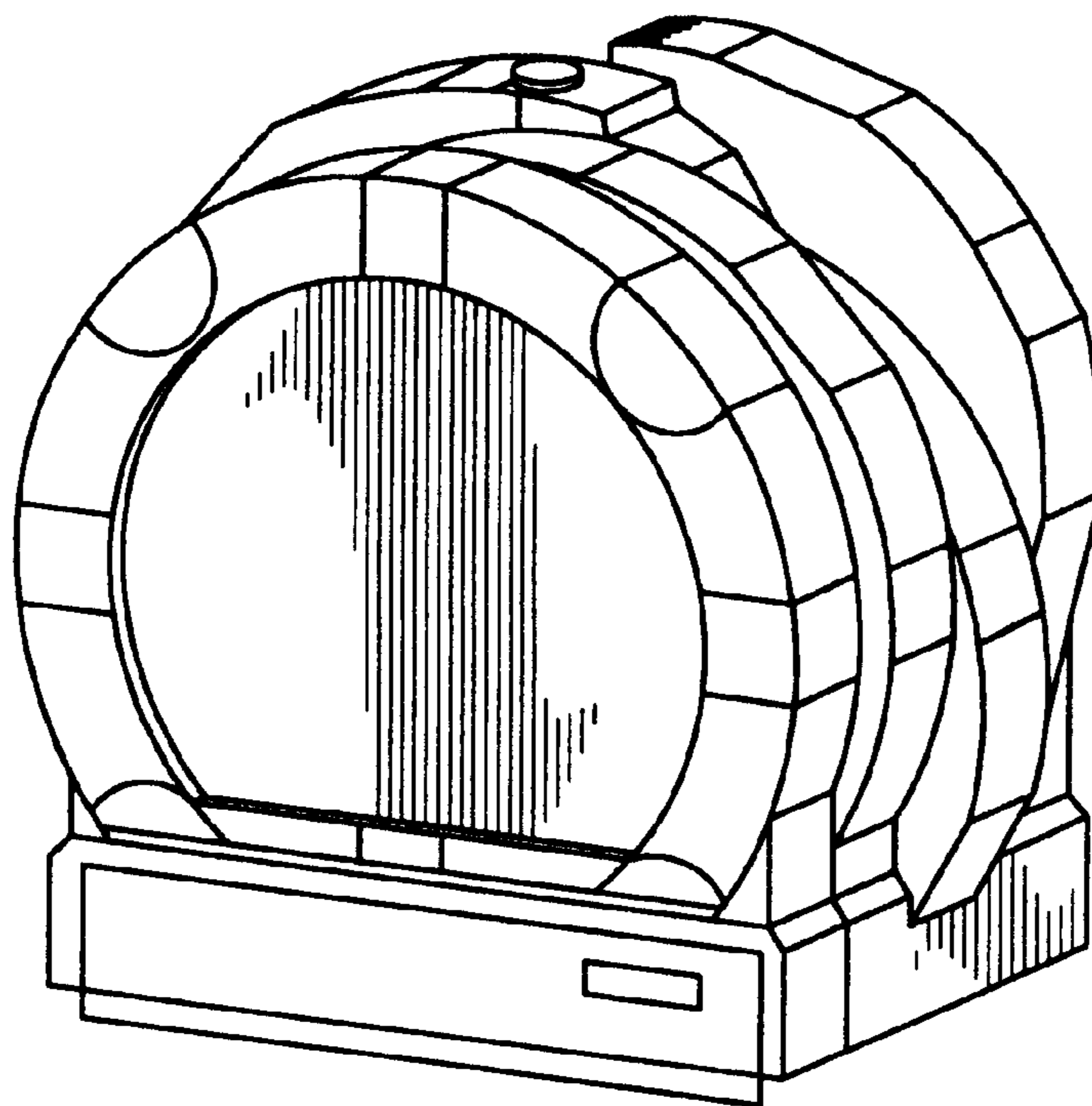
(57) **CLAIM**

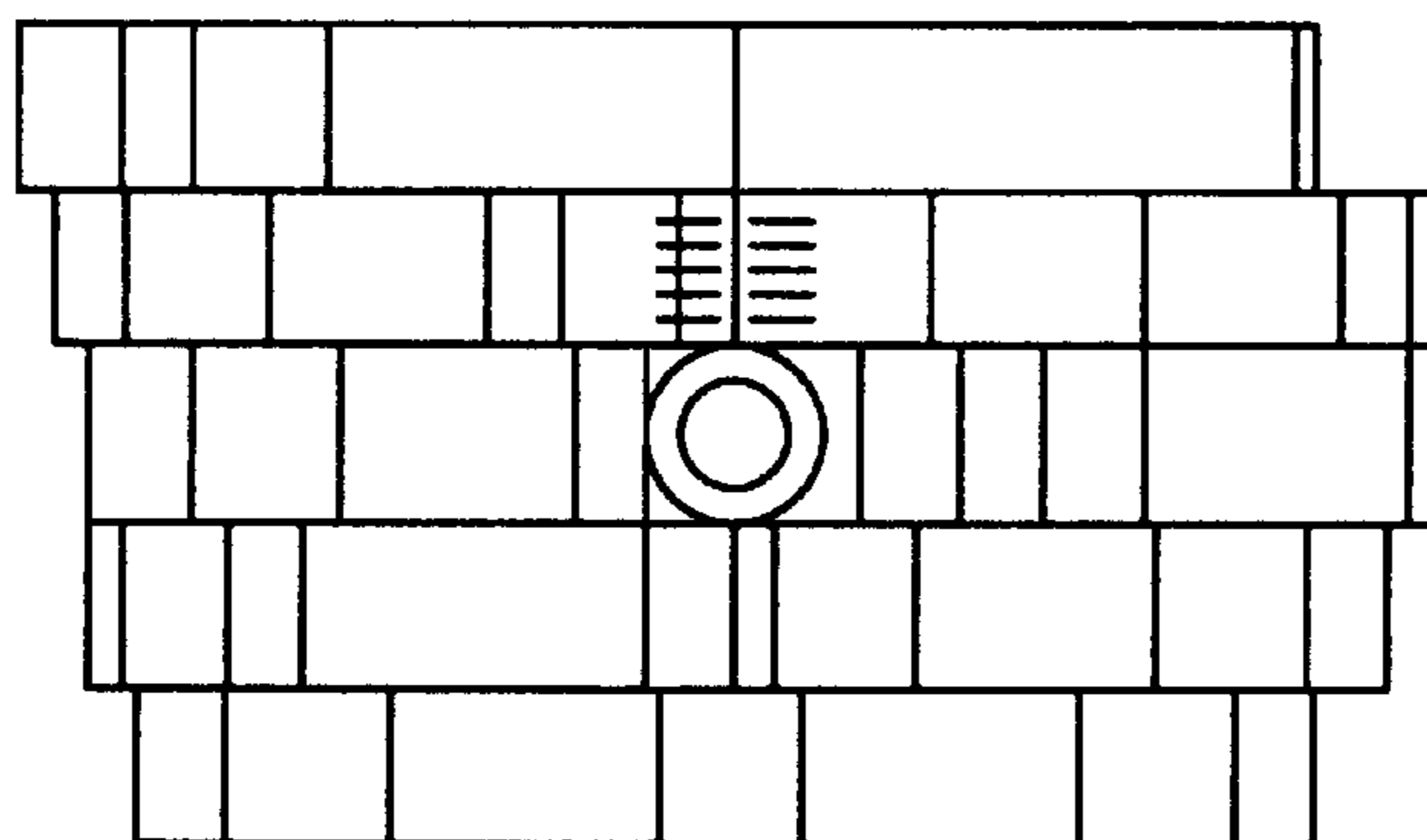
The ornamental design for a shaped top box for gaming machines, as shown and described.

**DESCRIPTION**

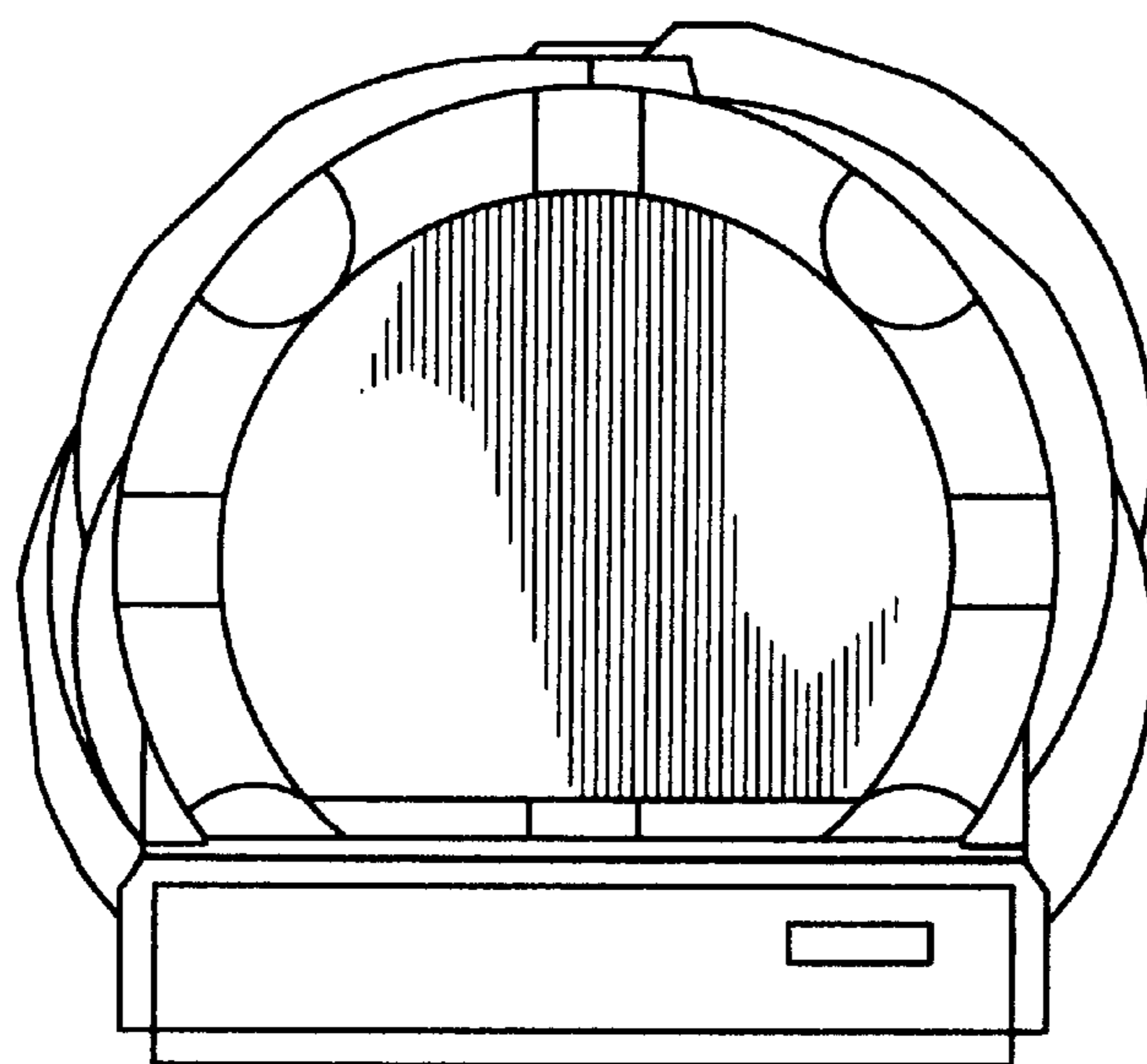
FIG. 1 is a front elevational view of a shaped top box for gaming machines, showing my new design;  
FIG. 2 is a top plan view thereof;  
FIG. 3 is a left side elevational view thereof;  
FIG. 4 is a right side elevational view thereof; and,  
FIG. 5 is a perspective view thereof.

**1 Claim, 2 Drawing Sheets**

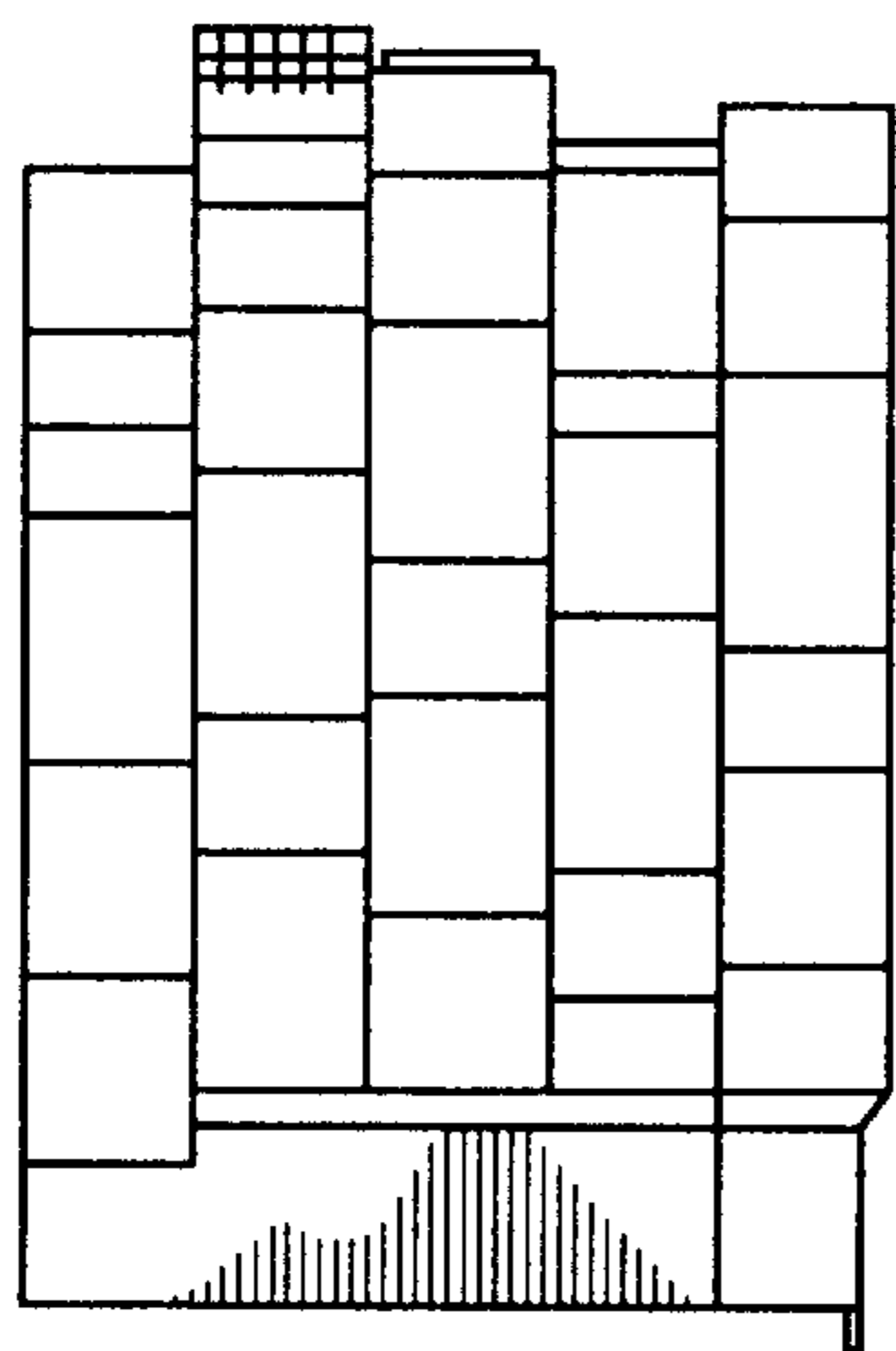




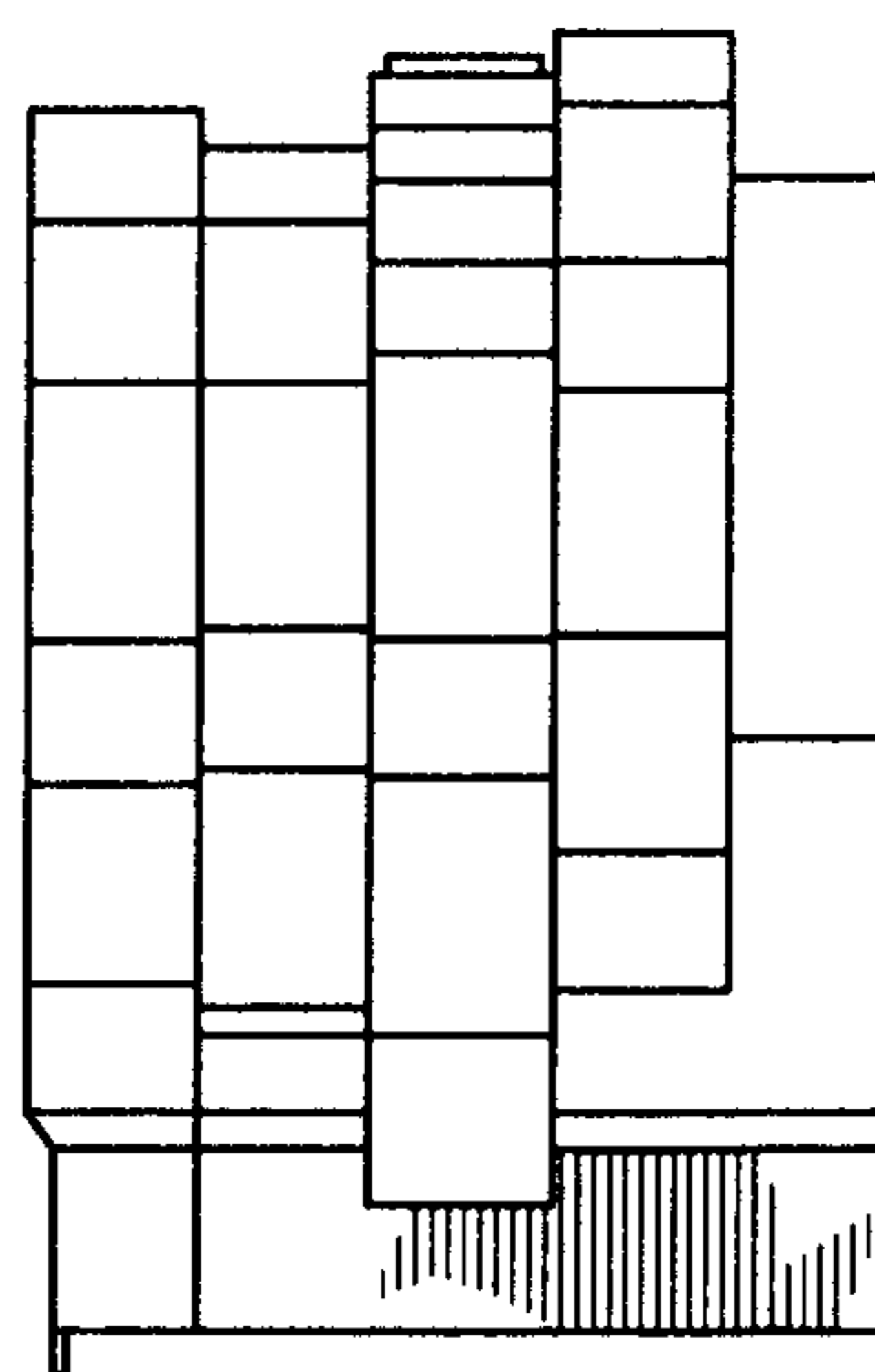
*FIG. 2*



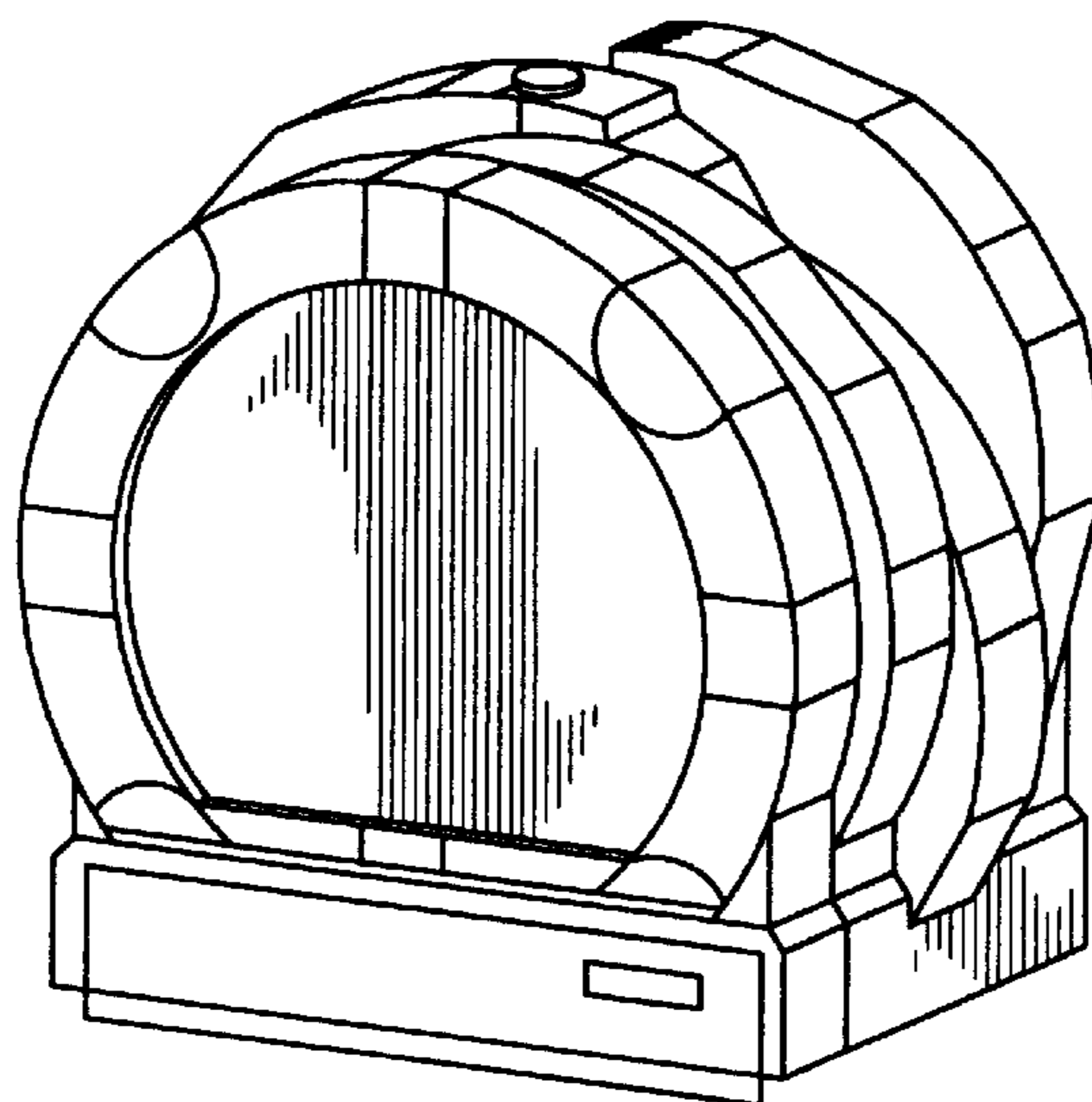
*FIG. 1*



*FIG. 3*



*FIG. 4*



*FIG. 5*