



US00D519565S

(12) **United States Design Patent**
Chue

(10) **Patent No.:** **US D519,565 S**

(45) **Date of Patent:** **** Apr. 25, 2006**

(54) **PAPER DISPENSER WITH ARROW CLIP**

D450,771 S * 11/2001 Niwa D19/65
D452,275 S * 12/2001 Najmi D19/78
D488,834 S * 4/2004 Mandel et al. D19/65

(75) Inventor: **Lap Fu Chue**, Tai Po (HK)

* cited by examiner

(73) Assignee: **Kenki (H.K.) Ltd.**, Kowloon (HK)

Primary Examiner—Jeffrey Asch

(**) Term: **14 Years**

Assistant Examiner—Elizabeth Albert

(21) Appl. No.: **29/214,782**

(74) *Attorney, Agent, or Firm*—Rabin & Berdo, P.C.

(22) Filed: **Oct. 12, 2004**

(57) **CLAIM**

(51) **LOC (8) Cl.** **19-02**

The ornamental design for a paper dispenser with arrow clip,
as shown and described.

(52) **U.S. Cl.** **D19/86**

DESCRIPTION

(58) **Field of Classification Search** D19/32,
D19/78, 86, 87, 88, 90, 91, 92, 95; D6/475,
D6/515, 518; 206/39.5, 215, 425; 283/117;
211/50; 221/33, 34, 35, 37, 45, 46, 48, 52,
221/56, 59, 61

FIG. 1 is a front view of a paper dispenser with arrow clip
showing my new design;
FIG. 2 is a rear view thereof;
FIG. 3 is a right side view thereof;
FIG. 4 is a left side view thereof;
FIG. 5 is a top view thereof;
FIG. 6 is a bottom view thereof; and,
FIG. 7 is a perspective view thereof.

See application file for complete search history.

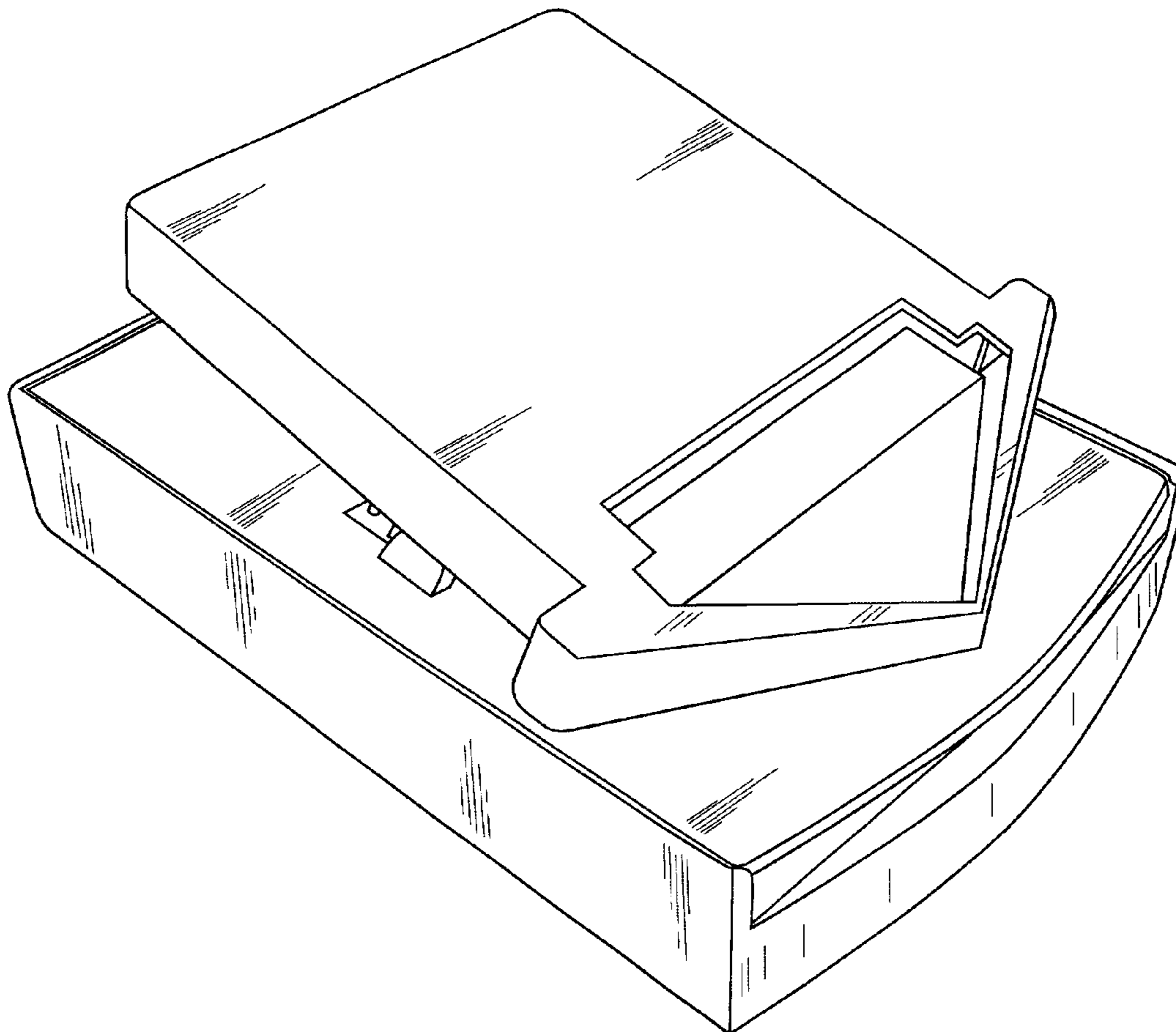
The broken lines showing environment in FIGS. 1 and 7 in
the drawings are for information purposes only and form no
part of the claimed design.

(56) **References Cited**

U.S. PATENT DOCUMENTS

5,069,409 A * 12/1991 Batson 248/451
D358,425 S * 5/1995 Kirchhoff et al. D19/86
D361,092 S * 8/1995 Batson D19/91
D361,789 S * 8/1995 Hewitt et al. D19/86

1 Claim, 7 Drawing Sheets



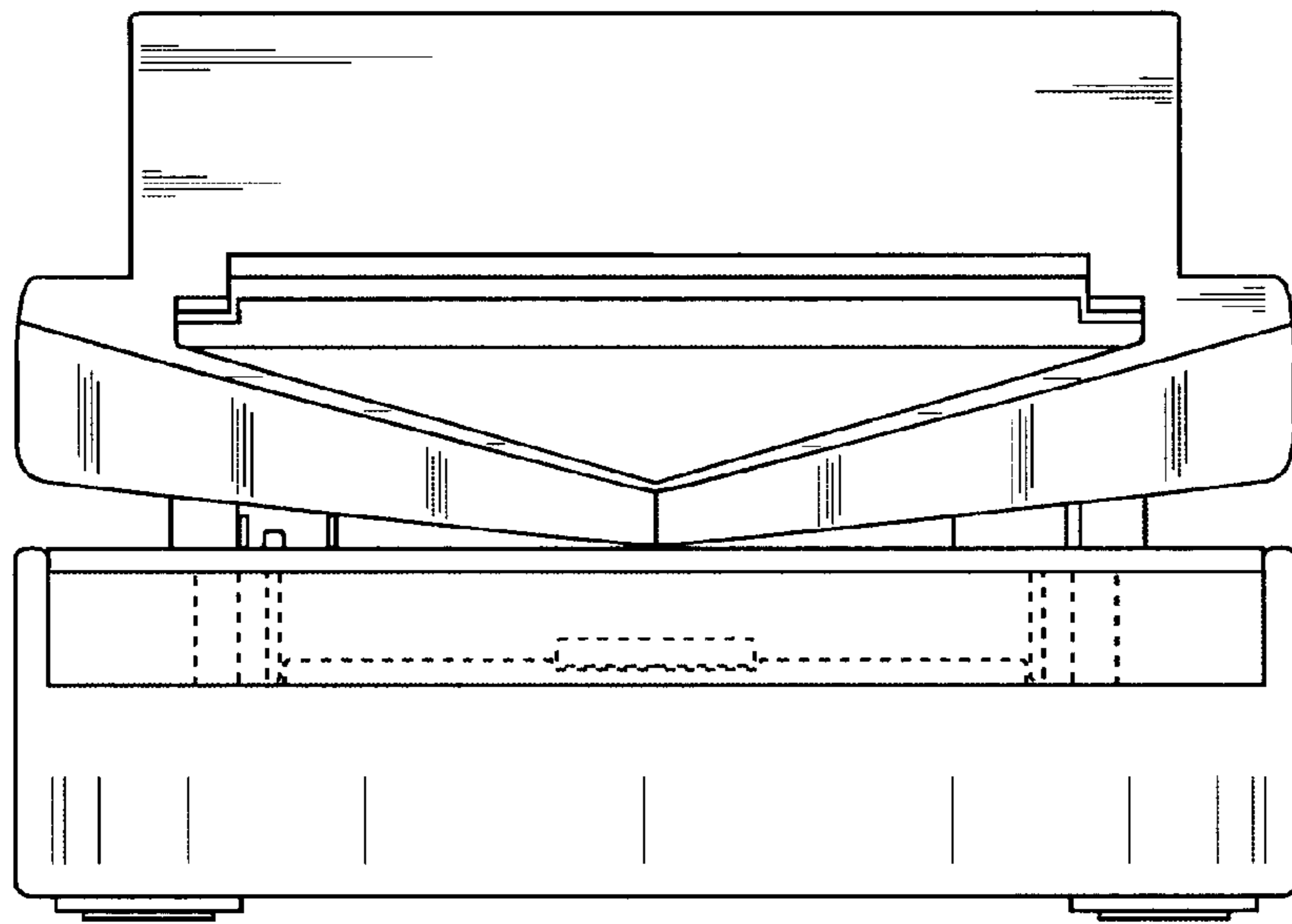


Fig. 1

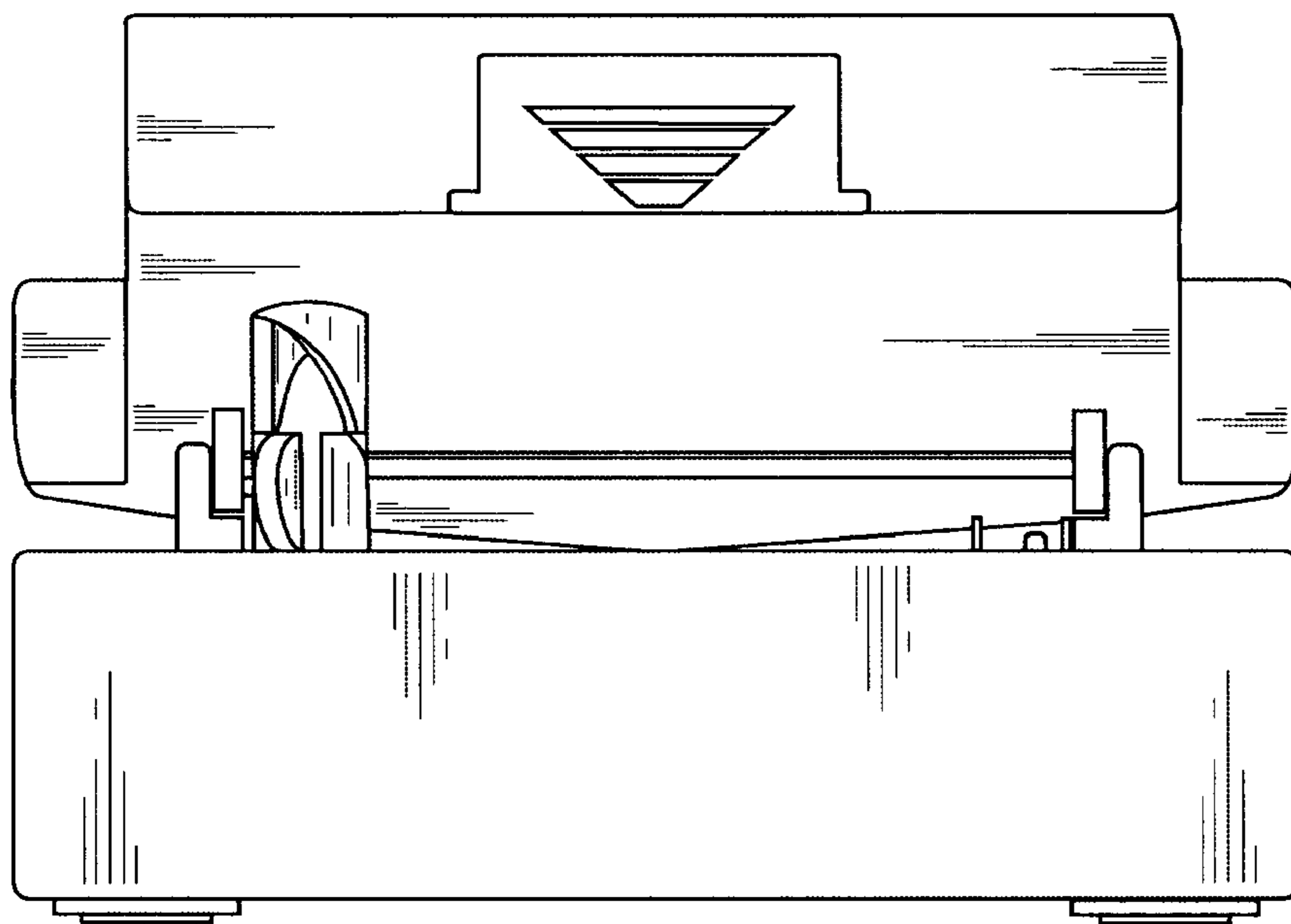


Fig. 2

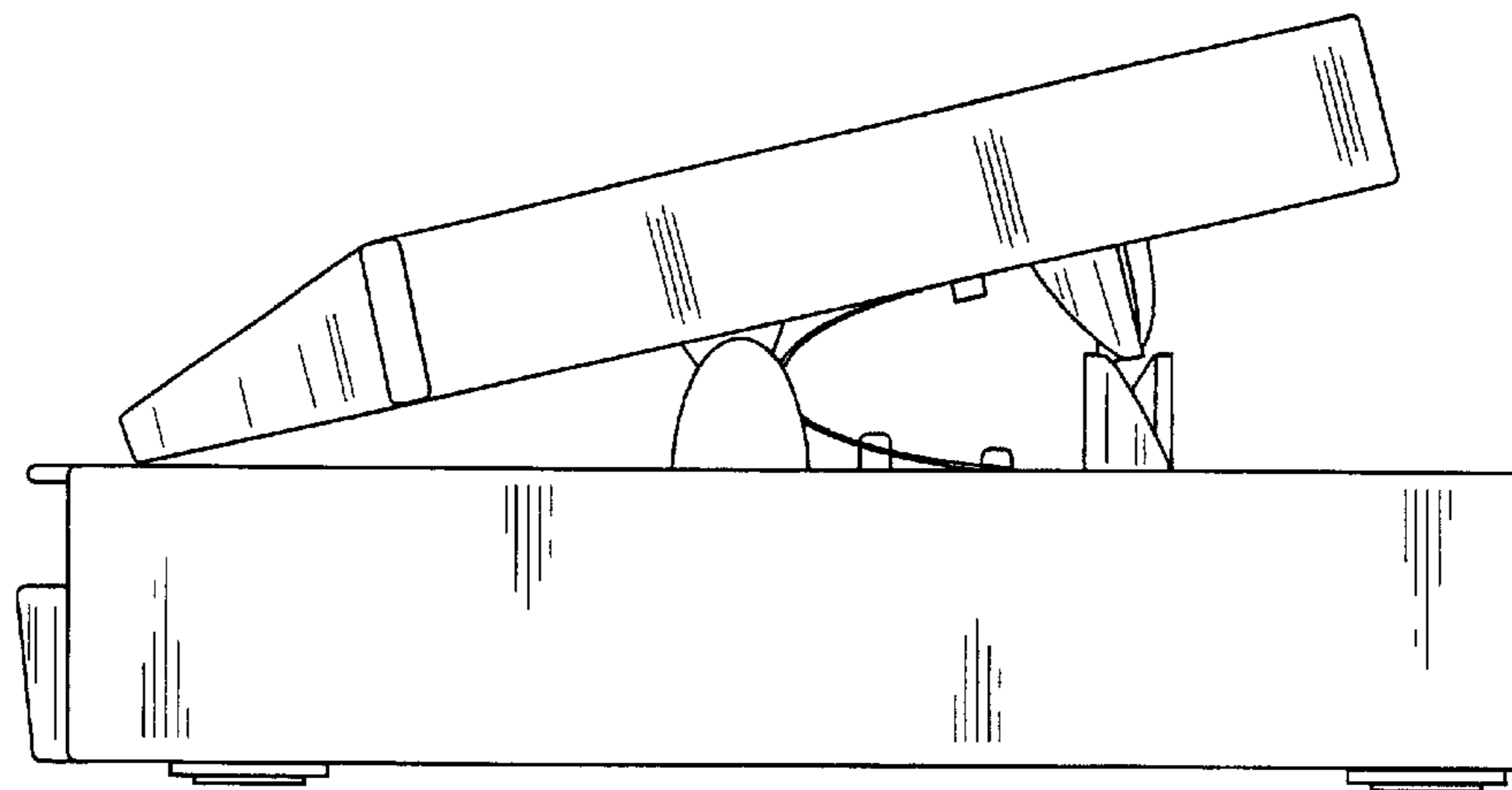


Fig. 3

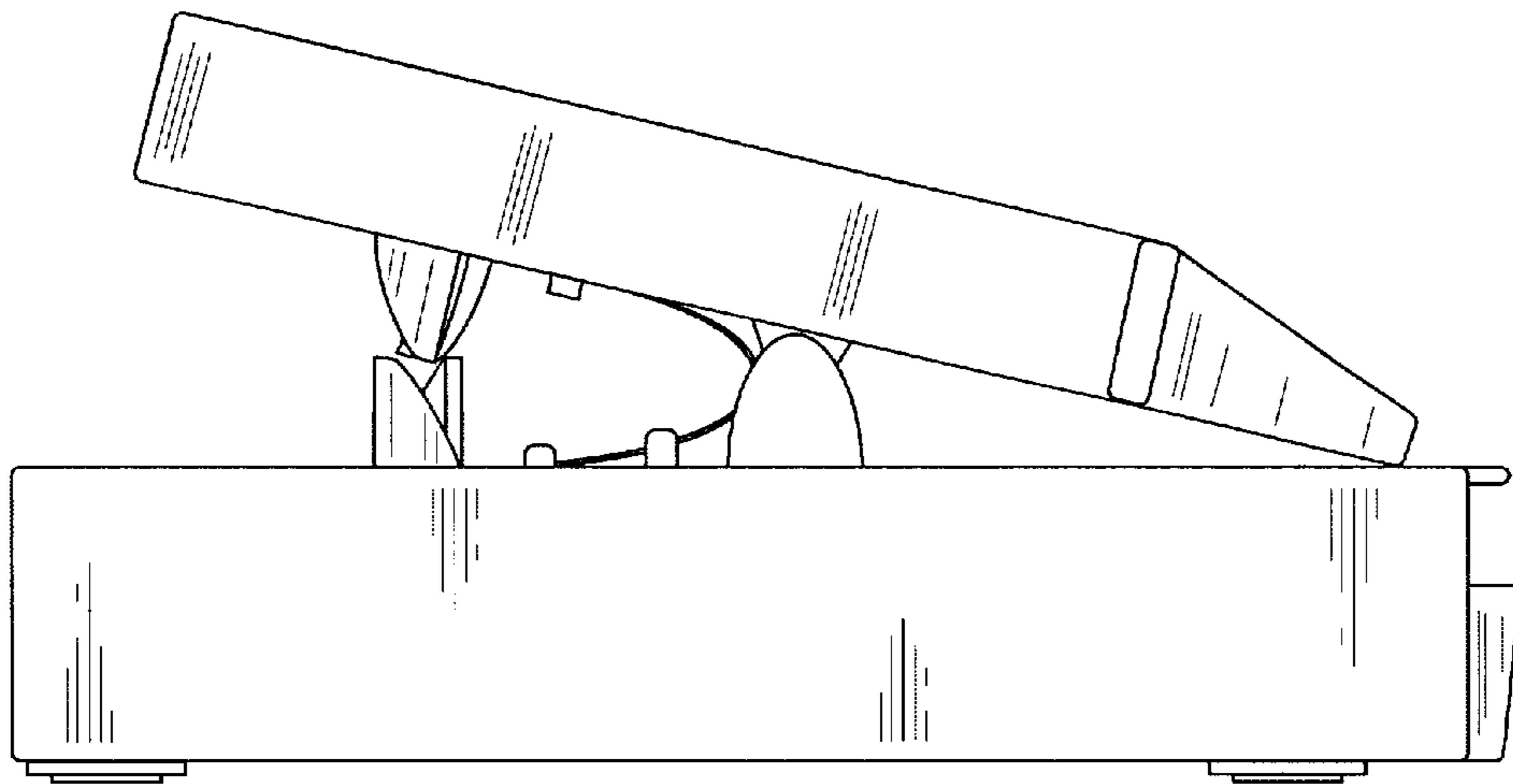


Fig. 4

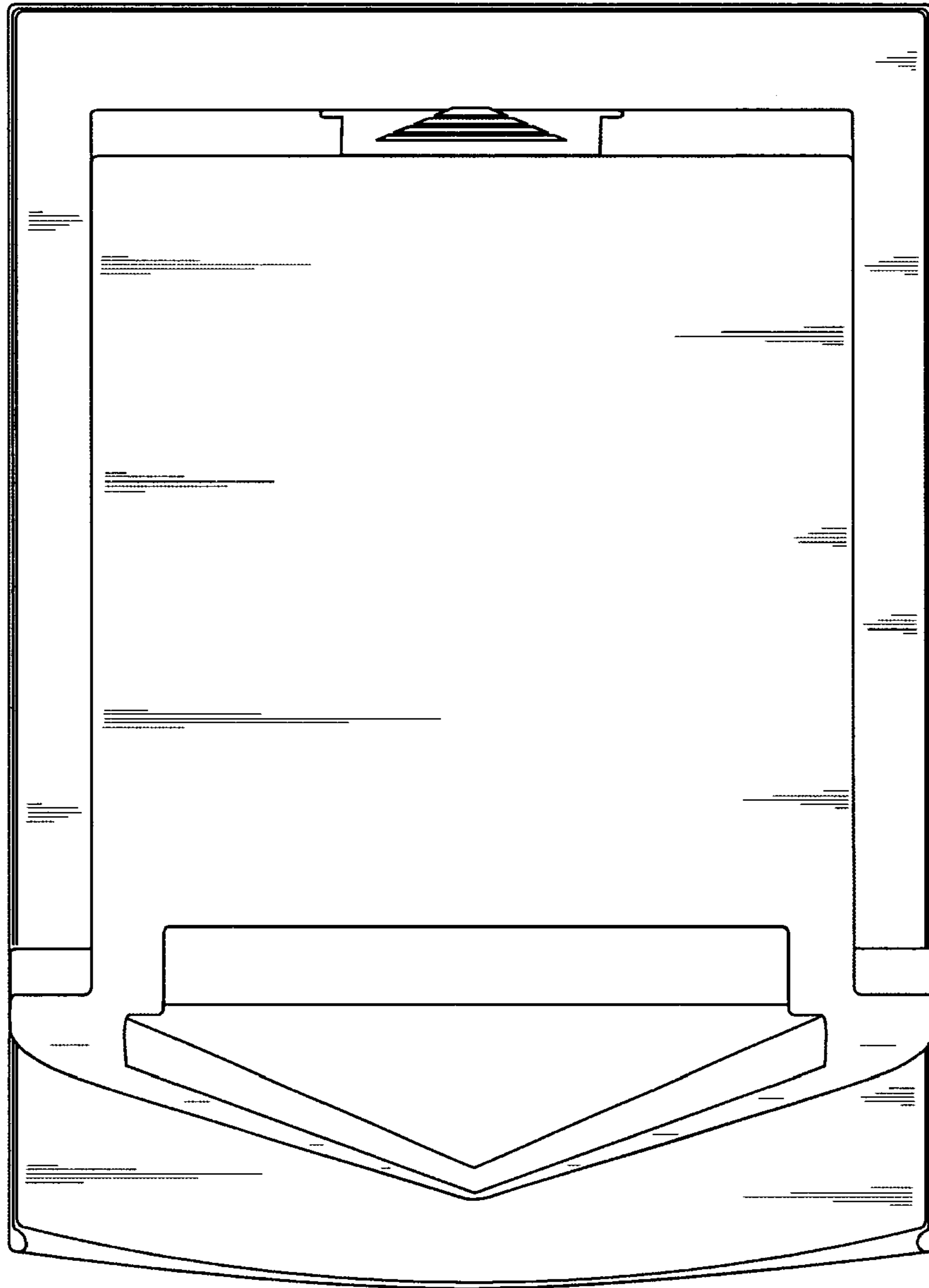


Fig. 5

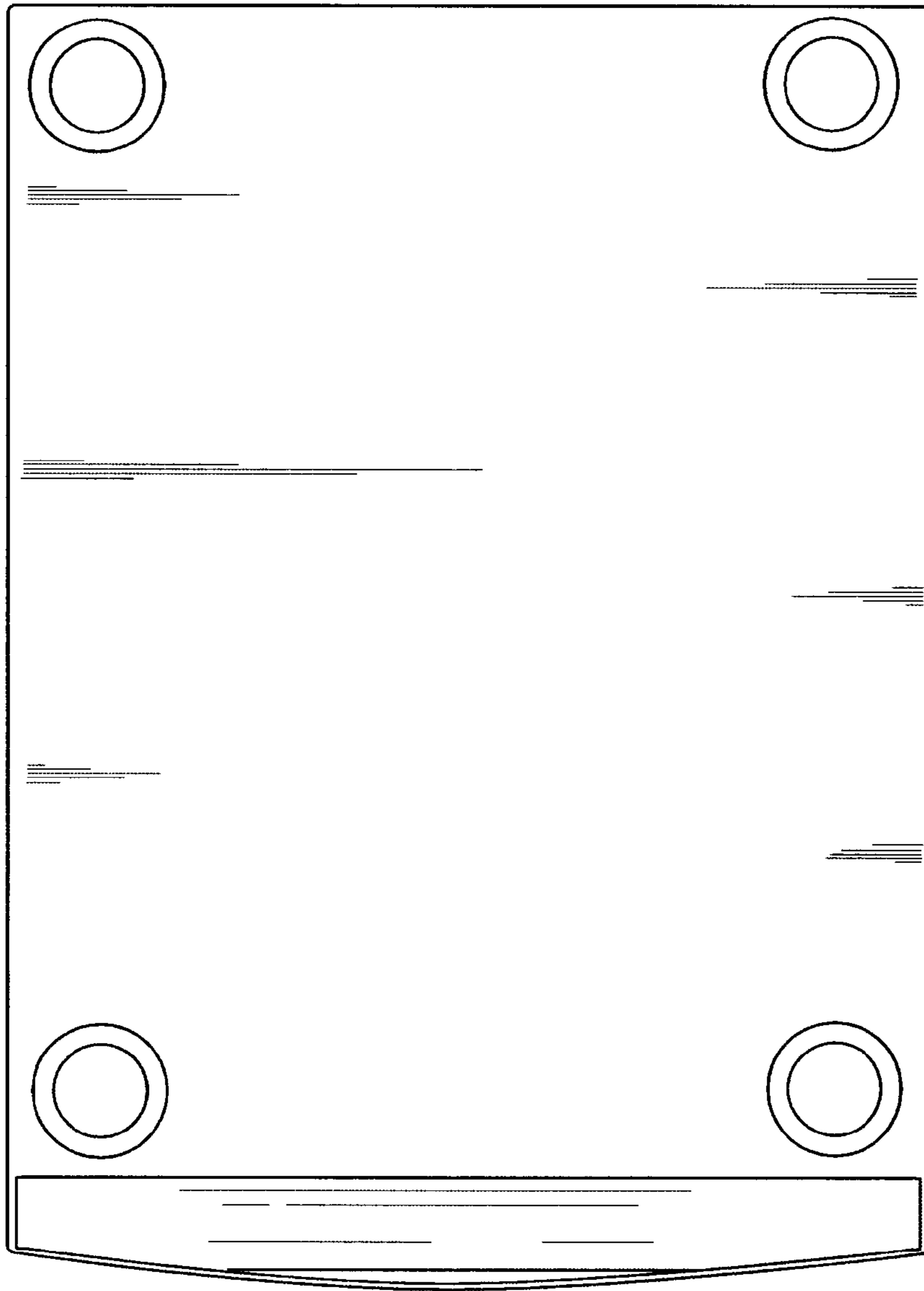


Fig. 6

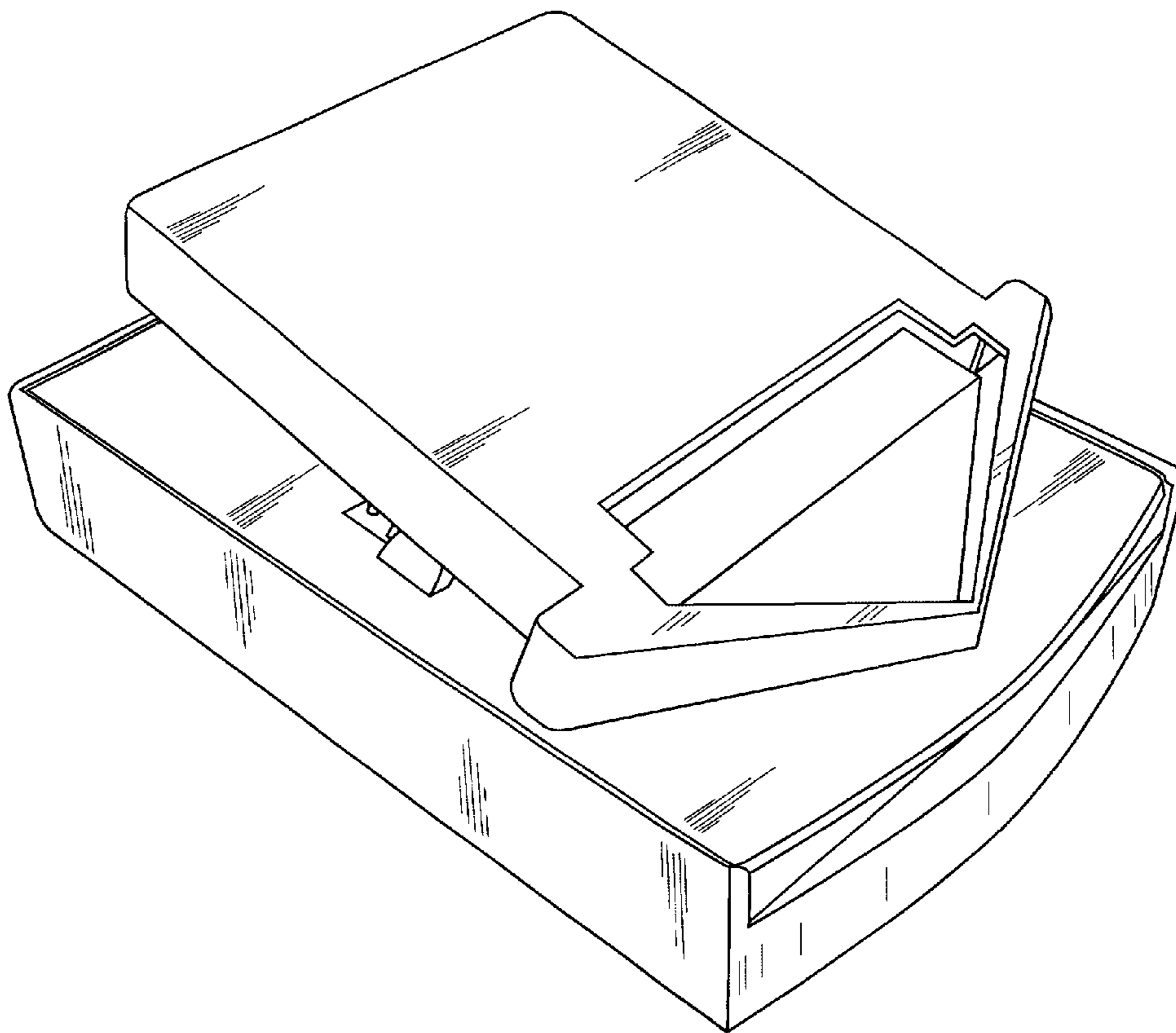


Fig. 7