

US00D519561S

(12) **United States Design Patent**
Wong

(10) **Patent No.:** **US D519,561 S**

(45) **Date of Patent:** **** Apr. 25, 2006**

(54) **INSERT TEMPLATE**

(76) Inventor: **Anthony Wong**, 22 Plain St., Franklin, MA (US) 02038

(**) Term: **14 Years**

(21) Appl. No.: **29/218,863**

(22) Filed: **Dec. 8, 2004**

Related U.S. Application Data

(62) Division of application No. 10/387,292, filed on Mar. 12, 2003, now abandoned.

(51) **LOC (8) Cl.** **19-06**

(52) **U.S. Cl.** **D19/37**

(58) **Field of Classification Search** D6/407, D6/626, 632; D10/61, 62, 64, 71; D19/37; 33/429, 474, 482, 483, 484, 489, 492, 562, 33/563, 566; 206/308.1; 211/40

See application file for complete search history.

(56) **References Cited**

U.S. PATENT DOCUMENTS

| | | | | |
|-----------|-----|---------|-----------------|-----------|
| 422,033 | A | 2/1890 | Nisley | |
| 924,877 | A | 6/1909 | Banfill | |
| 2,642,674 | A | 6/1953 | Schell | |
| 2,720,706 | A | 10/1955 | Laine | |
| 2,887,776 | A * | 5/1959 | Eisner | 33/528 |
| 3,406,456 | A | 10/1968 | Schleich | |
| 3,500,995 | A * | 3/1970 | Forman | 206/0.84 |
| 4,598,482 | A | 7/1986 | Castleton | |
| D299,888 | S * | 2/1989 | Maxwell | D6/407 |
| 4,945,642 | A | 8/1990 | Saulietis | |
| D329,943 | S * | 10/1992 | Laszlo | D6/626 |
| D349,892 | S * | 8/1994 | Nakaizumi | D6/407 |
| 5,551,560 | A | 9/1996 | Weisburn et al. | |
| 5,588,527 | A * | 12/1996 | Youngs | 206/308.1 |
| 5,772,022 | A * | 6/1998 | Renna | 206/312 |
| 5,791,062 | A | 8/1998 | Walker | |
| 5,829,150 | A | 11/1998 | McEligot | |
| 5,864,959 | A | 2/1999 | Johansen et al. | |
| D411,402 | S * | 6/1999 | Udwin et al. | D6/626 |

| | | | | |
|--------------|------|---------|-----------------------|-----------|
| 6,010,292 | A | 1/2000 | Fantone et al. | |
| D426,099 | S * | 6/2000 | Udwin et al. | D6/626 |
| 6,112,425 | A | 9/2000 | Nelson et al. | |
| 6,138,884 | A | 10/2000 | Gish | |
| D434,262 | S * | 11/2000 | Bergh et al. | D6/626 |
| 6,155,026 | A | 12/2000 | Tracy | |
| D441,591 | S * | 5/2001 | Drew | D6/626 |
| 6,241,087 | B1 * | 6/2001 | Moorhouse, Sr. | 206/308.1 |
| 6,321,457 | B1 | 11/2001 | Lariviere, Jr. et al. | |
| 6,334,268 | B1 | 1/2002 | Ikebe et al. | |
| 6,336,274 | B1 | 1/2002 | Ness Webster | |
| 6,418,635 | B1 | 7/2002 | Nelson et al. | |
| 6,454,091 | B1 | 9/2002 | Mendoza et al. | |
| 6,481,572 | B1 | 11/2002 | Wien et al. | |
| 6,635,003 | B1 | 10/2003 | Marchant | |
| 6,681,929 | B1 * | 1/2004 | Bergh et al. | 206/308.1 |
| D493,658 | S * | 8/2004 | Hassett | D6/626 |
| 2002/0195356 | A1 * | 12/2002 | Huang | 206/312 |
| 2004/0177525 | A1 * | 9/2004 | Wong | 33/562 |
| 2005/0011079 | A1 * | 1/2005 | Sikora et al. | 33/566 |
| 2005/0155881 | A1 * | 7/2005 | Hitchings | 206/313 |
| 2005/0194271 | A1 * | 9/2005 | Wah Fai | 206/308.1 |

* cited by examiner

Primary Examiner—Caron D. Veynar

Assistant Examiner—Elizabeth Albert

(74) *Attorney, Agent, or Firm*—Wolf, Greenfield & Snacks, P.C.

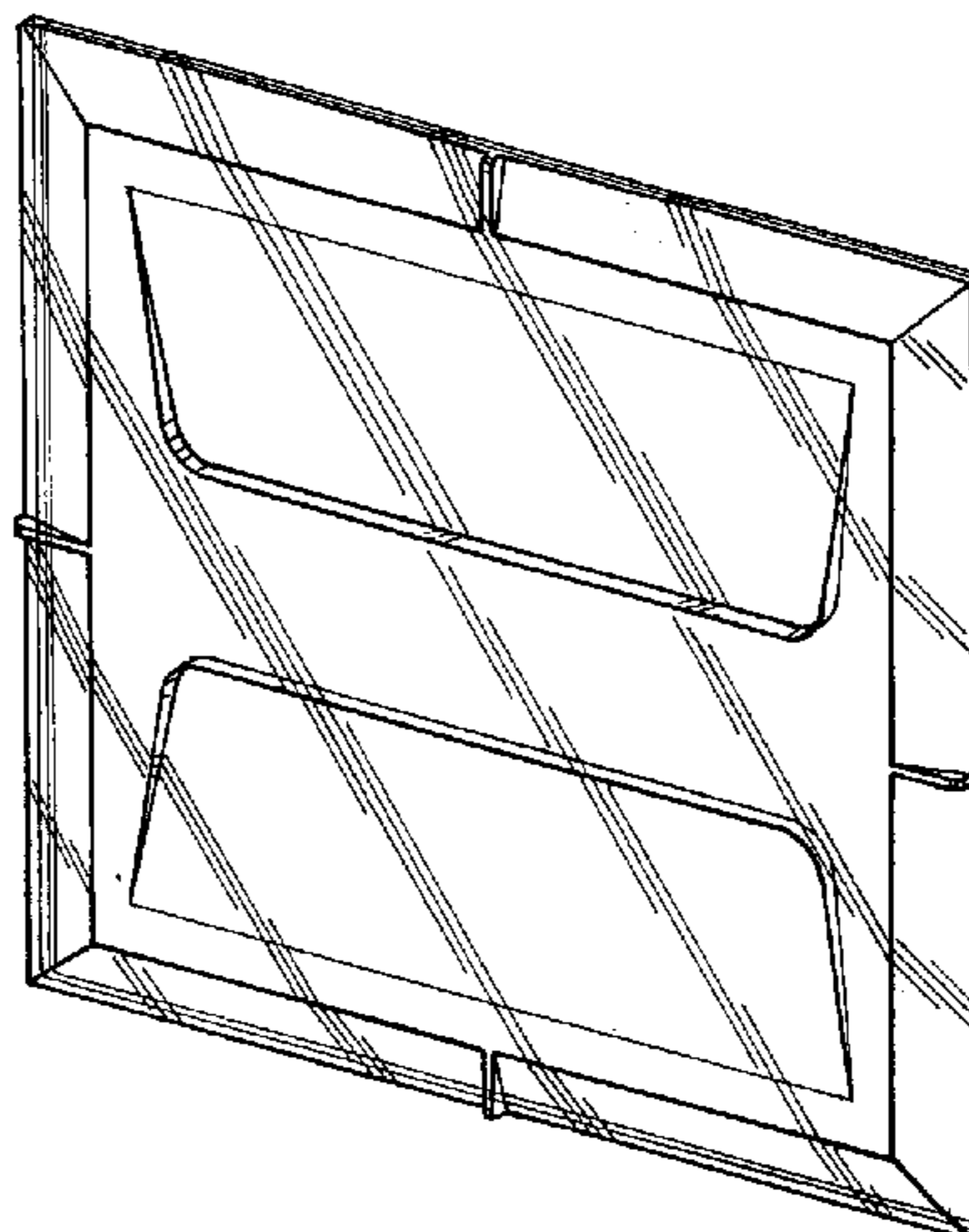
(57) **CLAIM**

The ornamental design for an insert template, as shown and described.

DESCRIPTION

FIG. 1 is a top, front, right side perspective view of an insert template showing my new design; FIG. 2 is a front elevational view of FIG. 1; FIG. 3 is a back elevational view of FIG. 1; FIG. 4 is a right side elevational view of FIG. 1, the left side being a mirror image thereof; and, FIG. 5 is a top plan view of FIG. 1, the bottom plan view being a mirror image thereof.

1 Claim, 2 Drawing Sheets



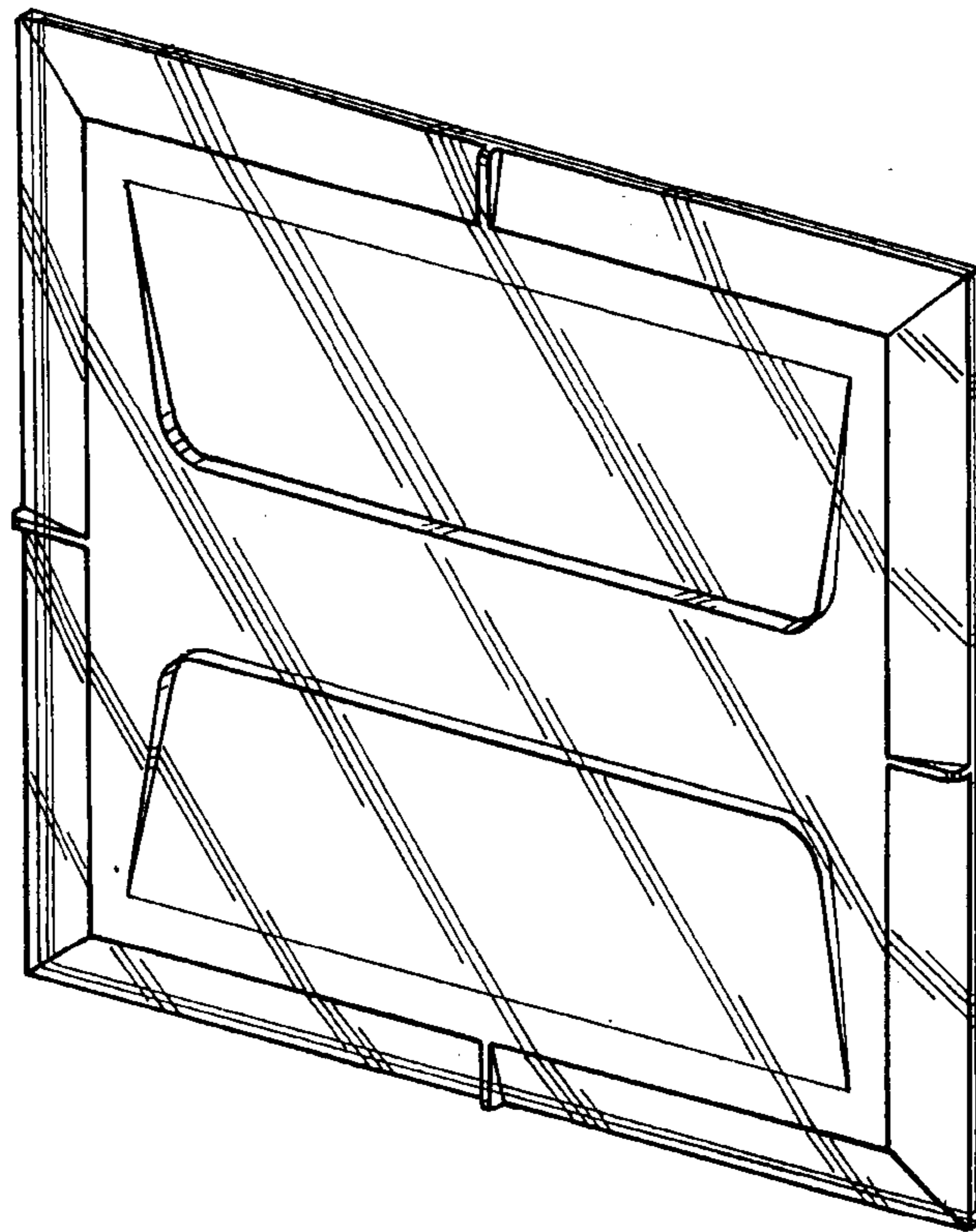


Fig. 1

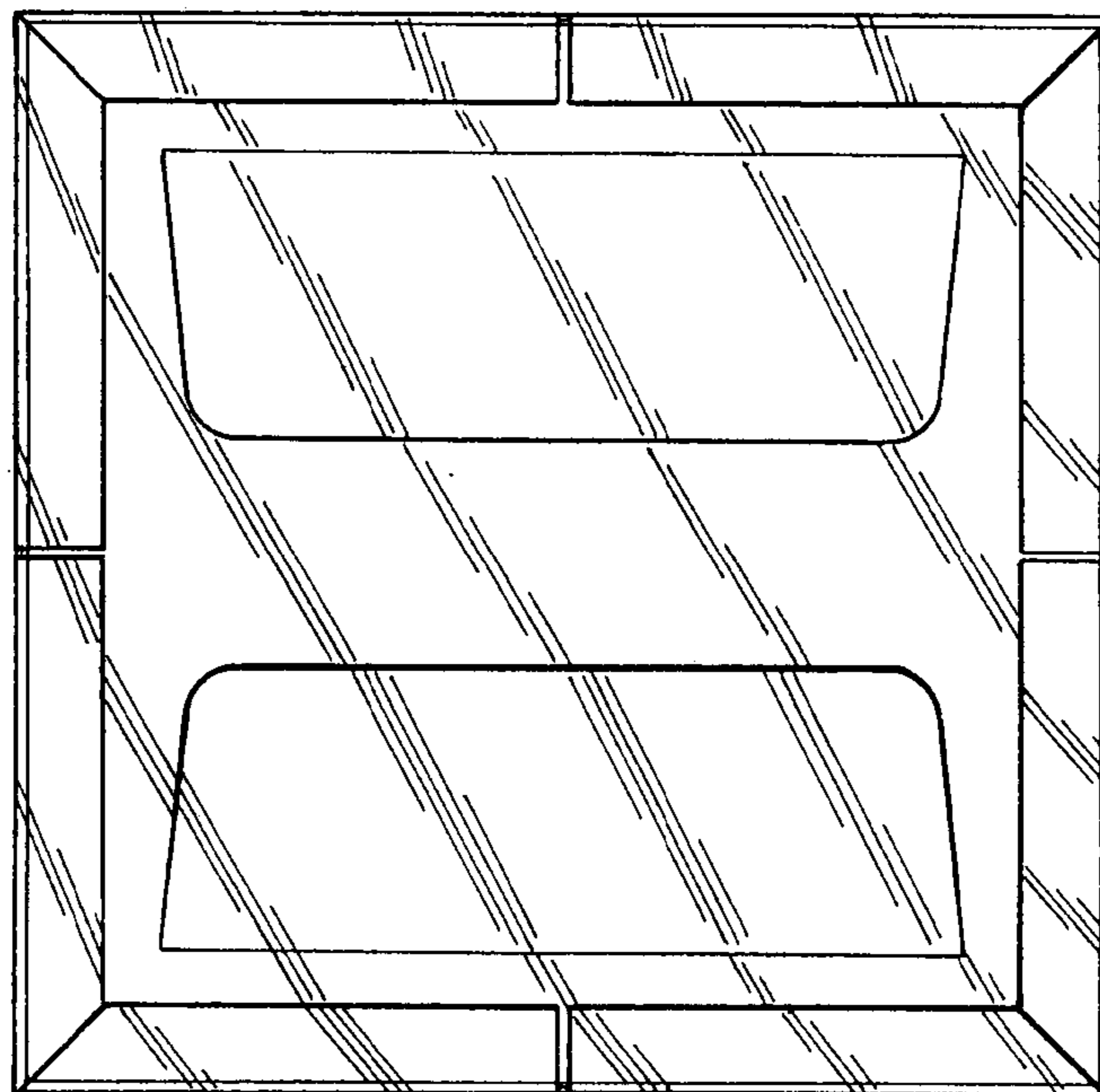


Fig. 2

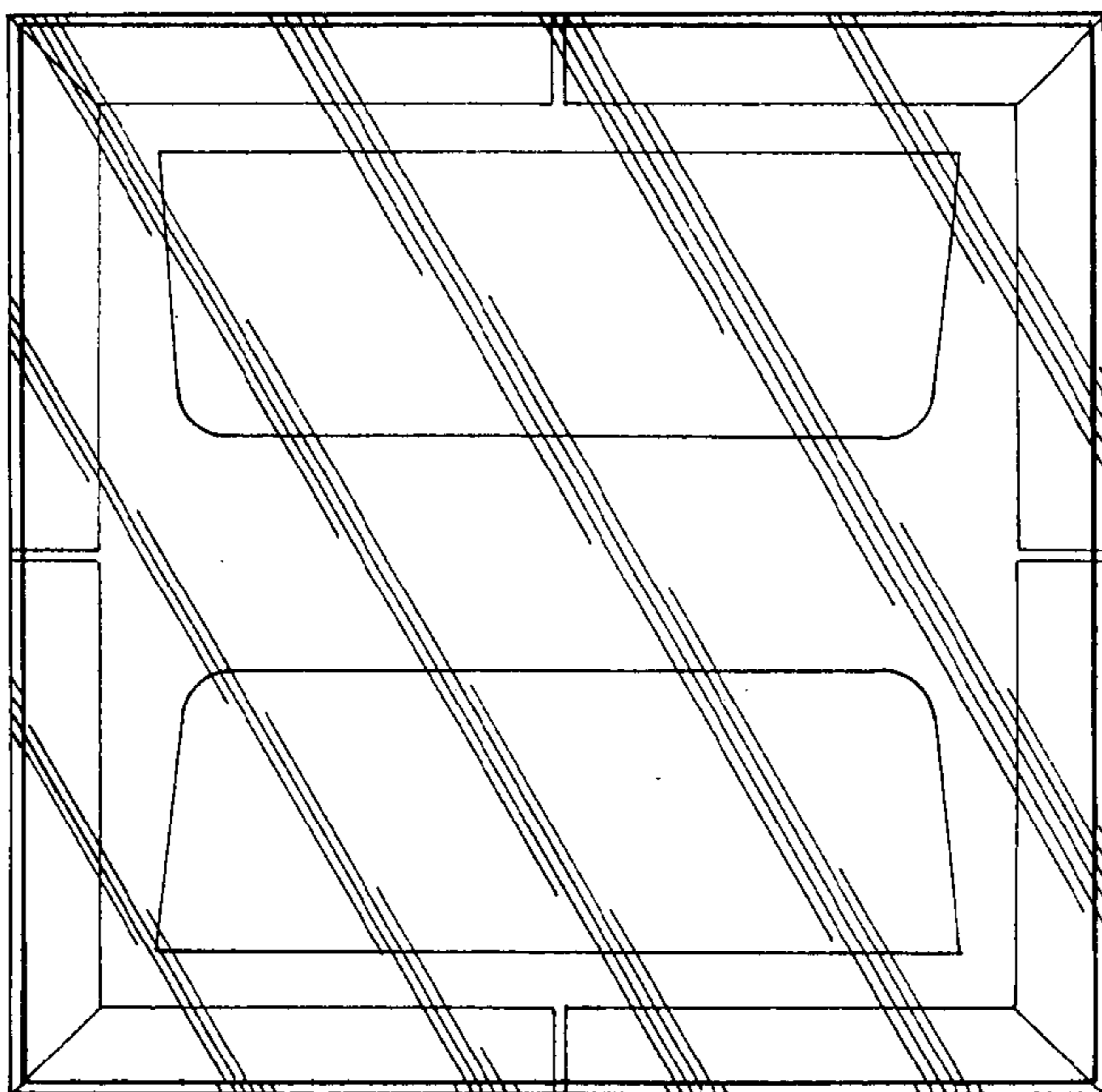


Fig. 3



Fig. 4



Fig. 5