



US00D519557S

(12) **United States Design Patent**
Sasaki et al.

(10) **Patent No.:** **US D519,557 S**

(45) **Date of Patent:** **** Apr. 25, 2006**

(54) **INK CARTRIDGE**

(75) Inventors: **Toyonori Sasaki**, Anjo (JP); **Shingo Hattori**, Tsushima (JP)

(73) Assignee: **Brother Industries, Ltd.**, Nagoya (JP)

(**) Term: **14 Years**

(21) Appl. No.: **29/209,019**

(22) Filed: **Jul. 12, 2004**

(30) **Foreign Application Priority Data**

Feb. 6, 2004 (JP) 2004-003081

(51) **LOC (8) Cl.** **18-02**

(52) **U.S. Cl.** **D18/56; 347/86**

(58) **Field of Classification Search** D18/40,
D18/43, 56; 347/33, 49-50, 86-87; 399/110
See application file for complete search history.

(56) **References Cited**

U.S. PATENT DOCUMENTS

5,900,896 A * 5/1999 Barinaga et al. 347/86

D422,306 S * 4/2000 Gasvoda et al. D18/56

D428,438 S * 7/2000 Hmelar et al. D18/56

D428,915 S * 8/2000 Hmelar et al. D18/56

D461,203 S * 8/2002 Nanjo et al. D18/56
6,637,856 B1 * 10/2003 Nishi et al. 347/33
6,712,458 B1 * 3/2004 Hatasa et al. 347/86
6,733,118 B1 * 5/2004 Pingrey et al. 347/87
D490,846 S * 6/2004 Suzuki et al. D18/56
6,817,707 B1 * 11/2004 Fowler et al. 347/86
2003/0007042 A1 * 1/2003 Lu et al. 347/86

* cited by examiner

Primary Examiner—Cathy Anne MacCormac

(74) *Attorney, Agent, or Firm*—Oliff & Berridge, PLC

(57) **CLAIM**

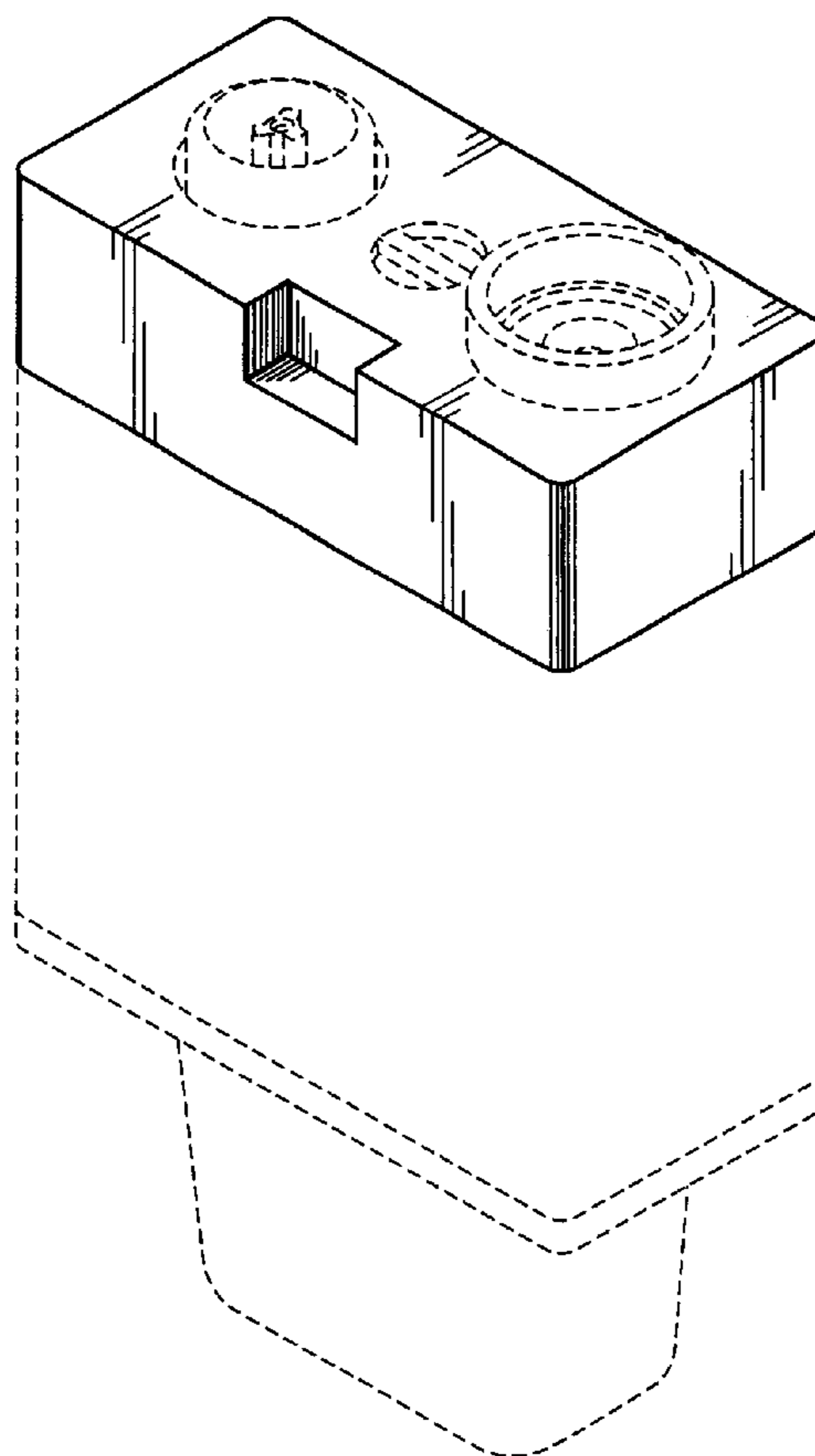
The ornamental design for an ink cartridge, as shown and described.

DESCRIPTION

FIG. 1 is a perspective view of an ink cartridge;
FIG. 2 is a front view thereof;
FIG. 3 is a top view thereof;
FIG. 4 is a right-side view thereof;
FIG. 5 is a left-side view thereof; and,
FIG. 6 is a rear view thereof.

The broken lines are for illustrative purposes only and do not form part of the claimed design.

1 Claim, 4 Drawing Sheets



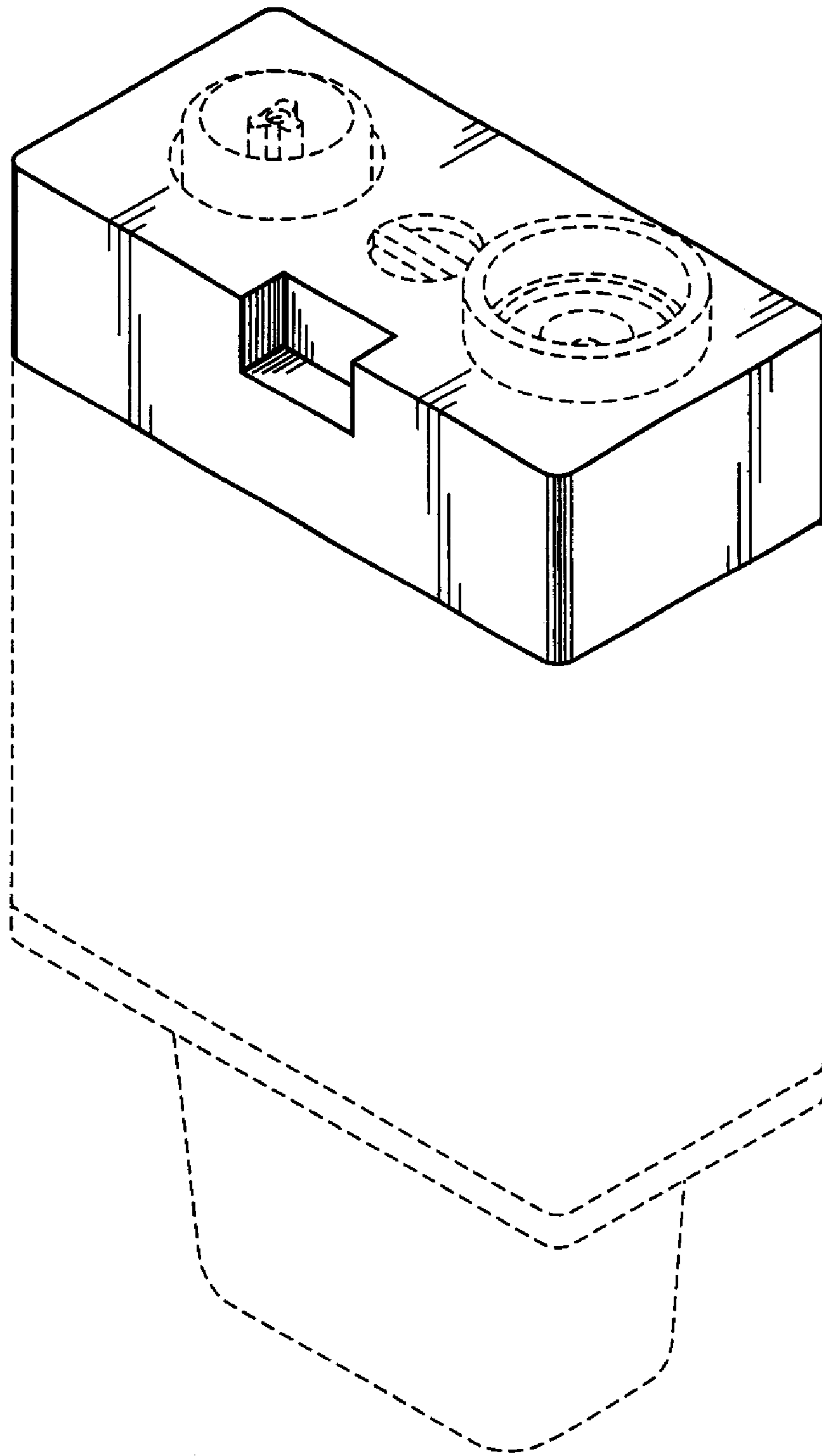


FIG. 1

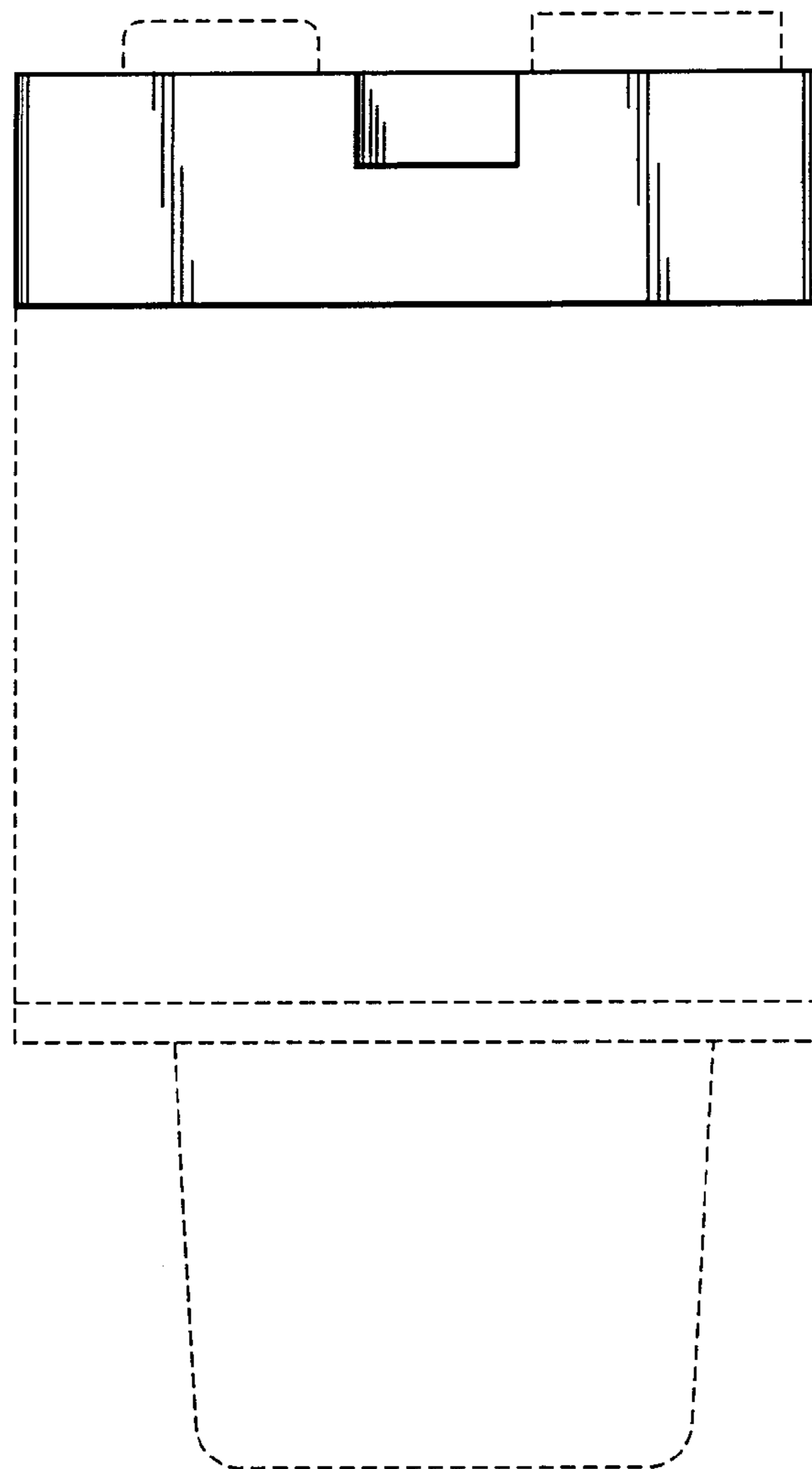


FIG. 2

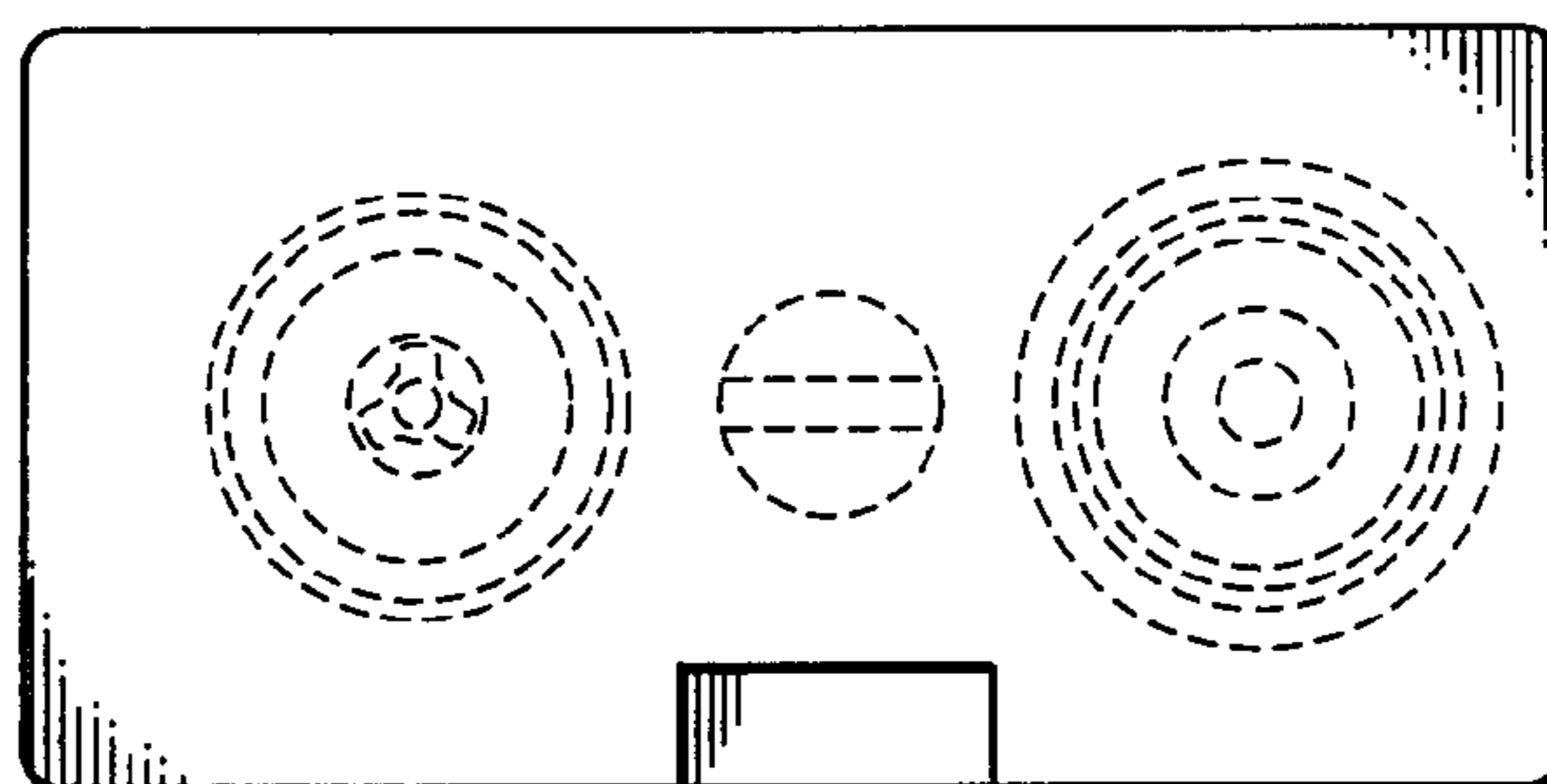


FIG. 3

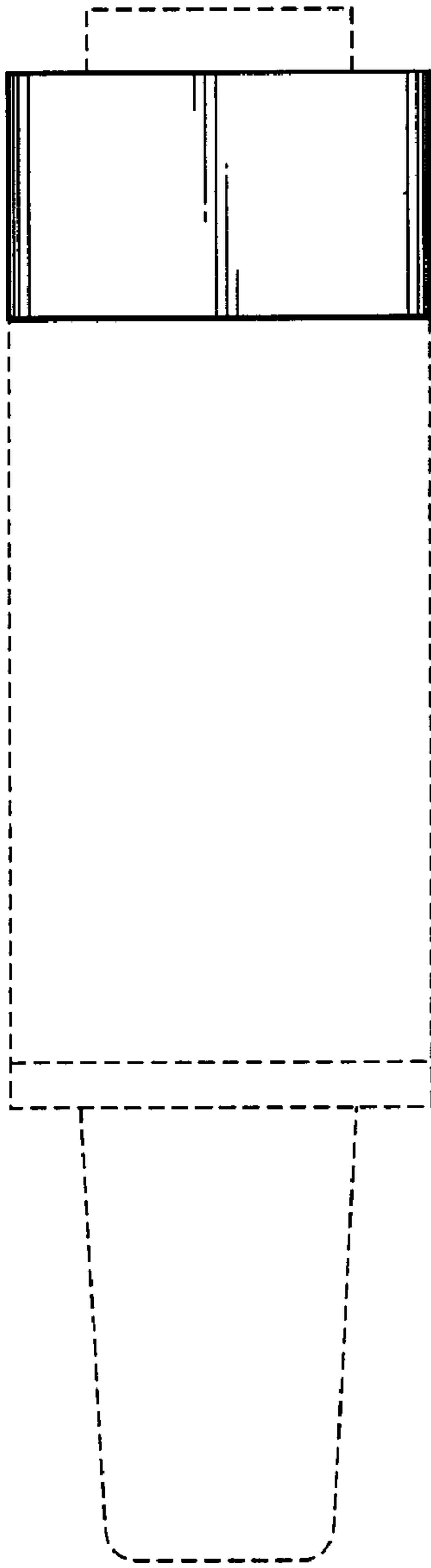


FIG. 4

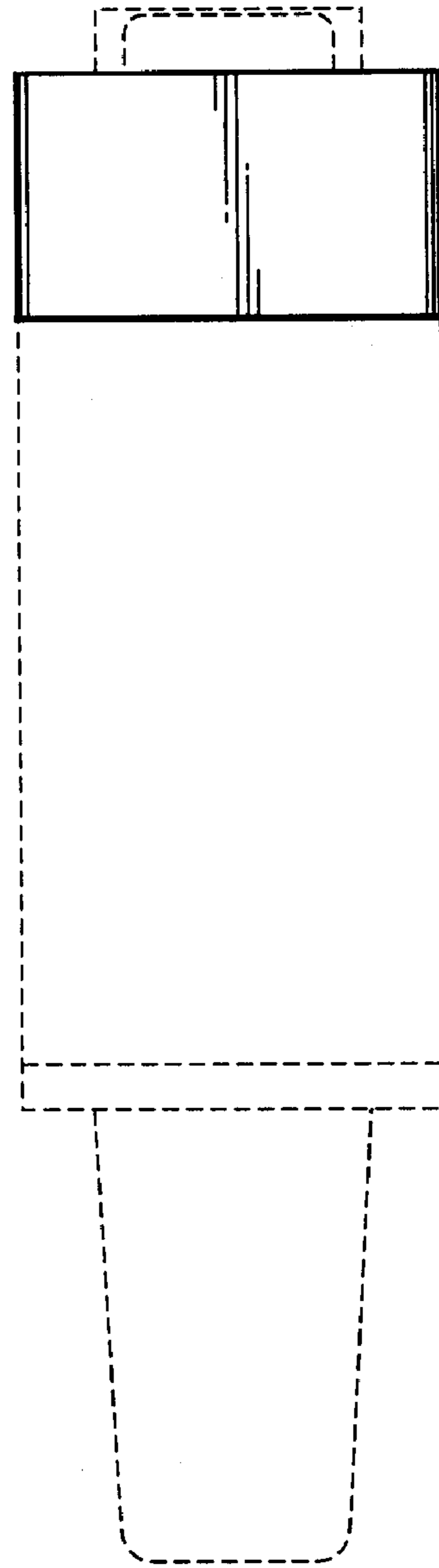


FIG. 5

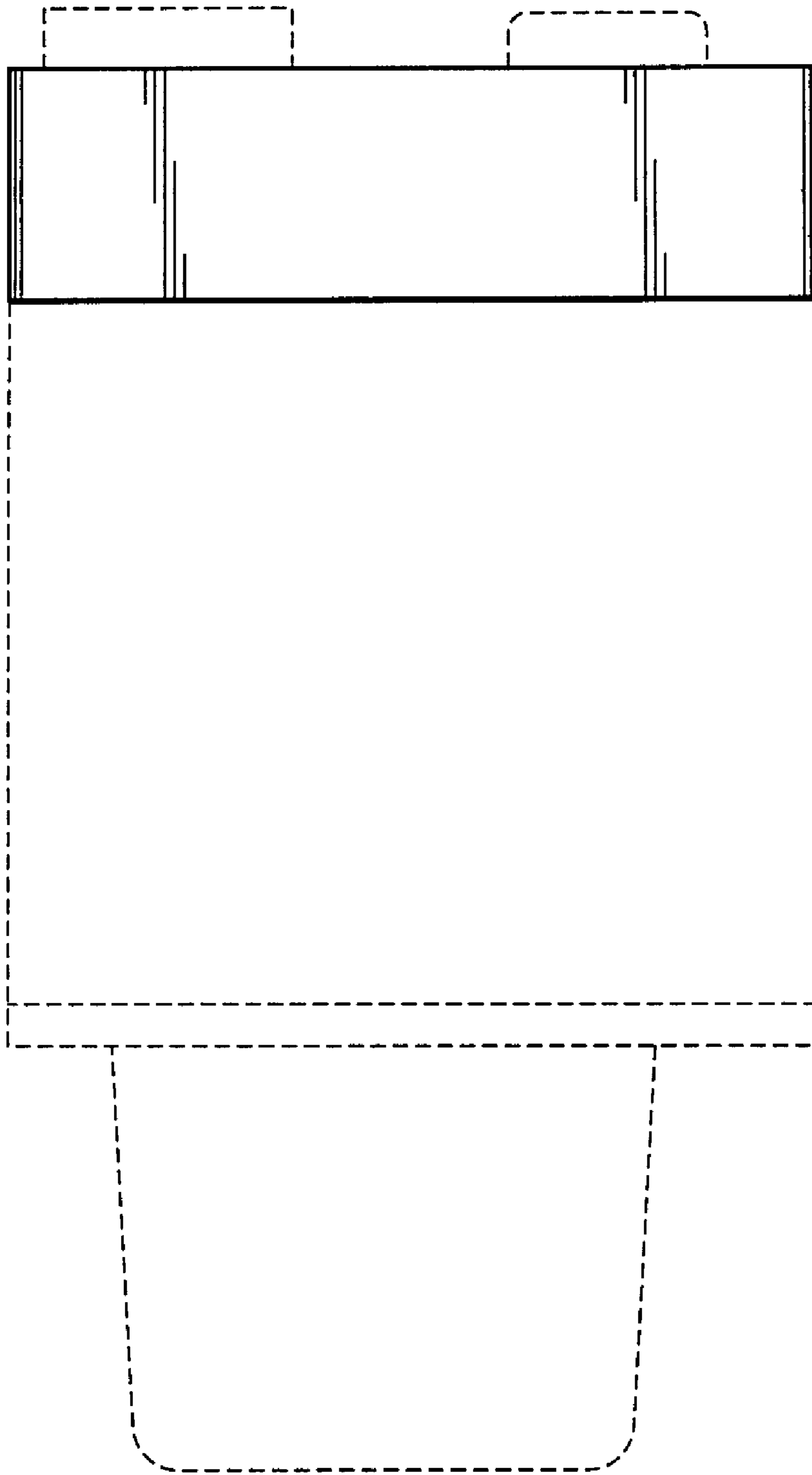


FIG. 6