



US00D519556S

(12) **United States Design Patent** (10) **Patent No.:** **US D519,556 S**  
**Sasaki et al.** (45) **Date of Patent:** **\*\* Apr. 25, 2006**

(54) **INK CARTRIDGE**

(75) Inventors: **Toyonori Sasaki**, Anjo (JP); **Shingo Hattori**, Tsushima (JP)

(73) Assignee: **Brother Industries, Ltd.**, Nagoya (JP)

(\*\*) Term: **14 Years**

(21) Appl. No.: **29/209,016**

(22) Filed: **Jul. 12, 2004**

(30) **Foreign Application Priority Data**

Feb. 6, 2004 (JP) ..... 2004-003084

(51) **LOC (8) Cl.** ..... **18-02**

(52) **U.S. Cl.** ..... **D18/56; 347/86**

(58) **Field of Classification Search** ..... D18/40,  
D18/43, 56; 347/33, 49-50, 86-87; 399/110  
See application file for complete search history.

(56) **References Cited**

**U.S. PATENT DOCUMENTS**

- D378,529 S \* 3/1997 Tashiro et al. .... D18/56
- D391,986 S \* 3/1998 Steinmetz et al. .... D18/56
- 5,734,401 A \* 3/1998 Clark et al. .... 348/86

- 5,852,459 A \* 12/1998 Pawlowski et al. .... 347/86
- 5,856,839 A \* 1/1999 Aukstikalnis et al. .... 347/86
- 5,856,840 A \* 1/1999 Barinaga et al. .... 347/86
- 5,966,156 A \* 10/1999 Scheffelin et al. .... 347/86
- D422,306 S \* 4/2000 Gasvoda et al. .... D18/56
- D428,438 S \* 7/2000 Hmelar et al. .... D18/56
- D428,915 S \* 8/2000 Hmelar et al. .... D18/56
- D497,631 S \* 10/2004 Sasaki ..... D18/56

\* cited by examiner

*Primary Examiner*—Cathy Anne MacCormac

(74) *Attorney, Agent, or Firm*—Oliff & Berridge, PLC

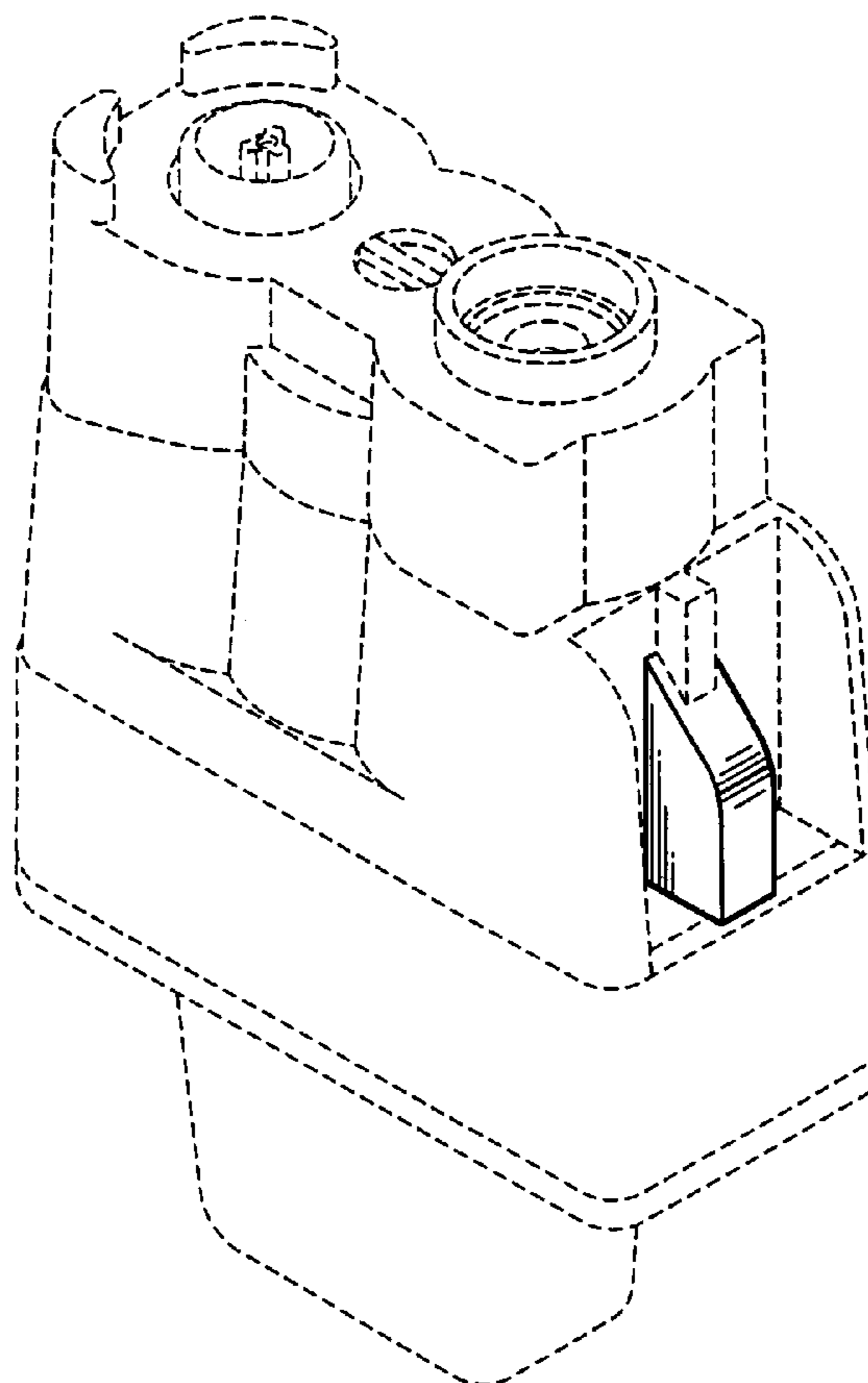
(57) **CLAIM**

The ornamental design for an ink cartridge, as shown and described.

**DESCRIPTION**

FIG. 1 is a perspective view of an ink cartridge;  
 FIG. 2 is another perspective view thereof;  
 FIG. 3 is a top view thereof; and,  
 FIG. 4 is a right-side view thereof.  
 The broken lines are for illustrative purposes only and do not form part of the claimed design.

**1 Claim, 2 Drawing Sheets**



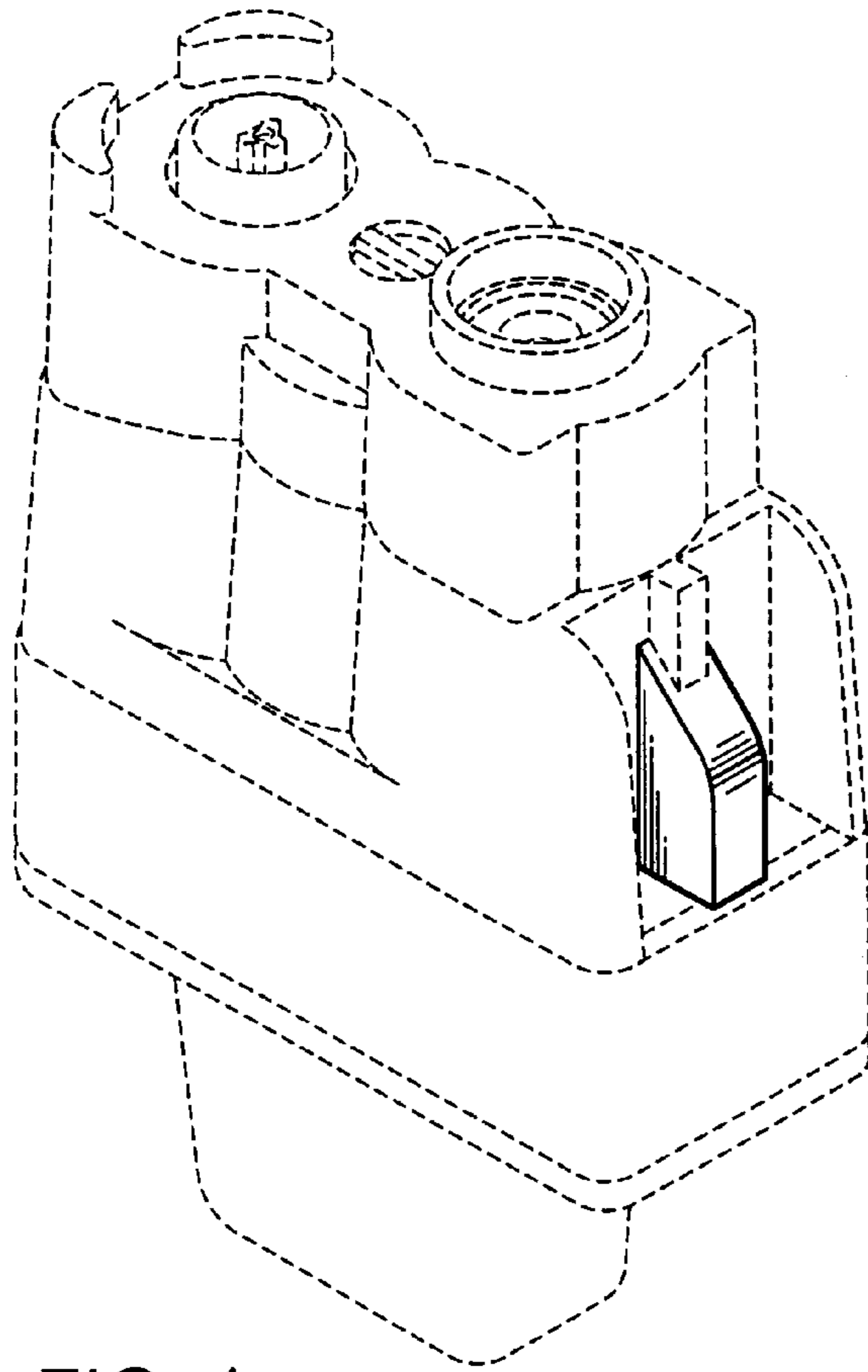


FIG. 1

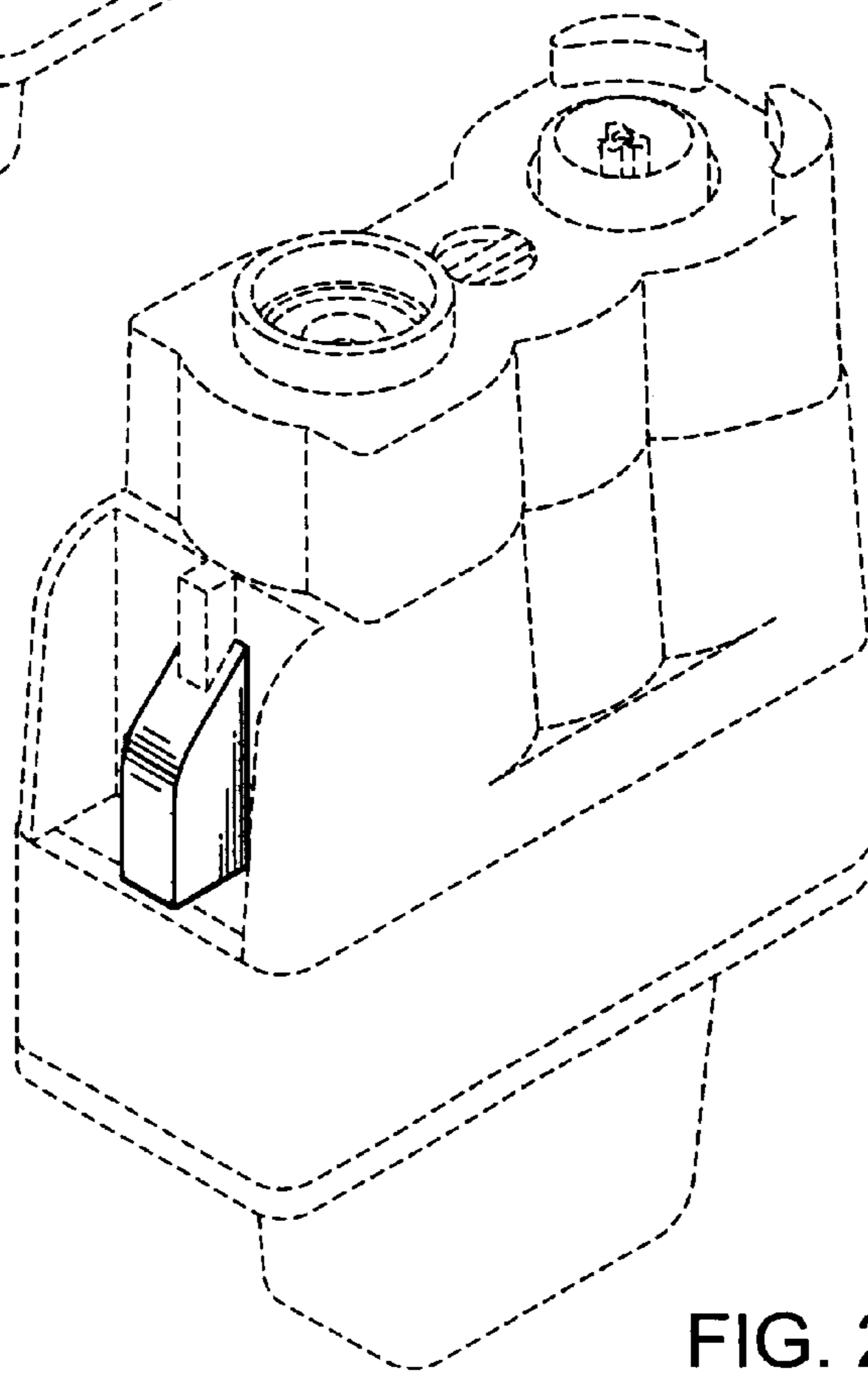


FIG. 2

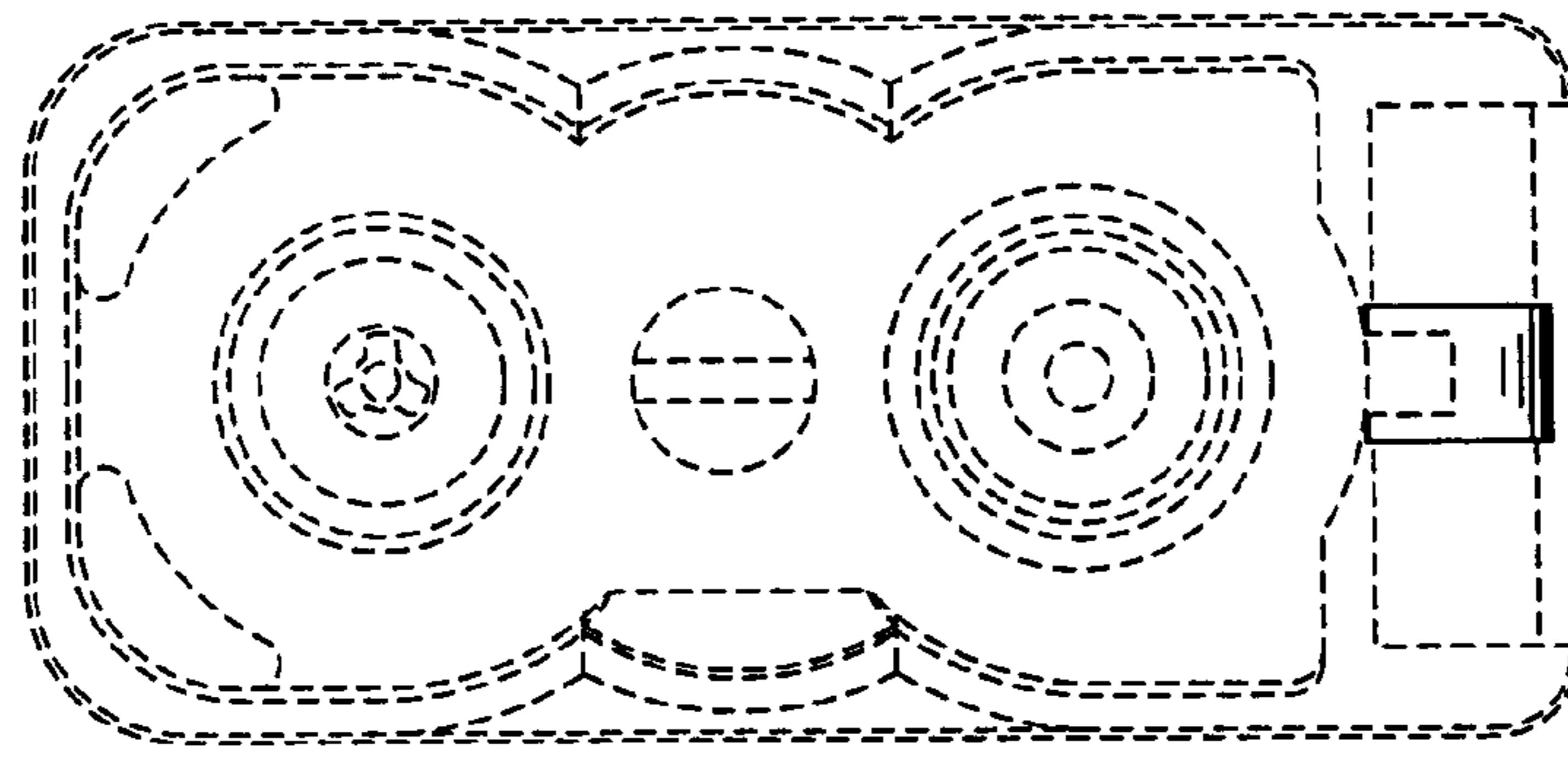


FIG. 3

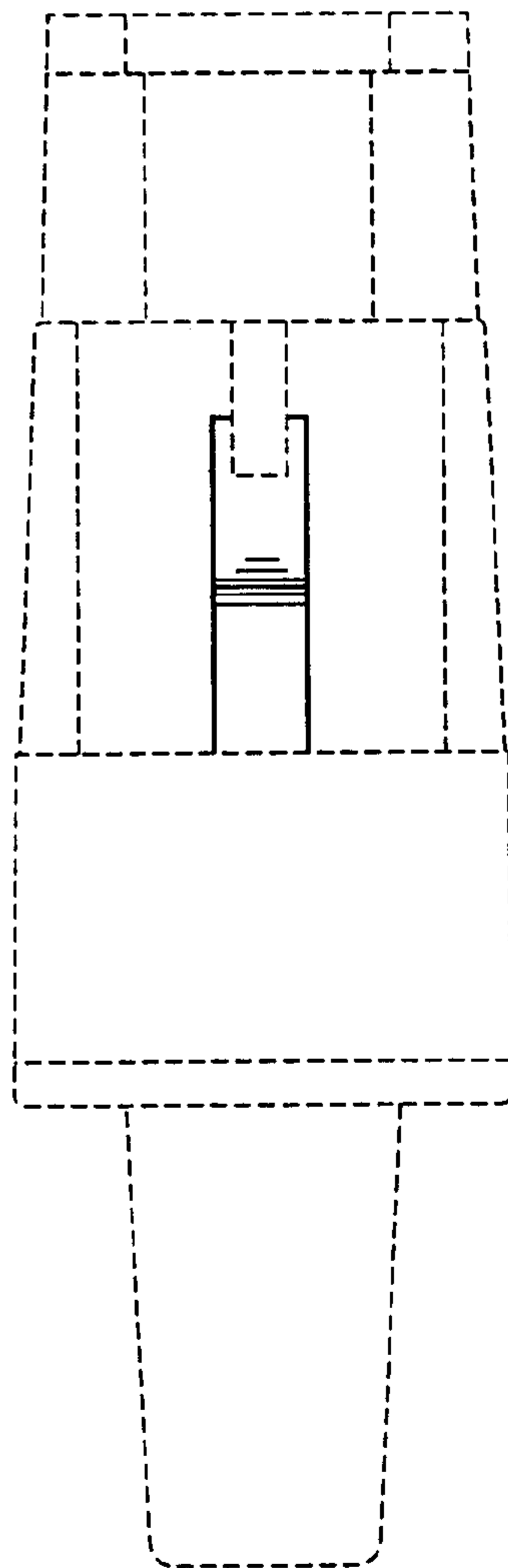


FIG. 4