



US00D51955S

(12) **United States Design Patent**  
**Sasaki et al.**

(10) **Patent No.:** **US D519,555 S**

(45) **Date of Patent:** **\*\* Apr. 25, 2006**

(54) **INK CARTRIDGE**

(75) Inventors: **Toyonori Sasaki**, Anjo (JP); **Shingo Hattori**, Tsushima (JP)

(73) Assignee: **Brother Industries, Ltd.**, Nagoya (JP)

(\*\*) Term: **14 Years**

(21) Appl. No.: **29/209,014**

(22) Filed: **Jul. 12, 2004**

(30) **Foreign Application Priority Data**

Feb. 6, 2004 (JP) ..... 2004-003082

(51) **LOC (8) Cl.** ..... **18-02**

(52) **U.S. Cl.** ..... **D18/56; 347/86**

(58) **Field of Classification Search** ..... D18/40,  
D18/43, 56; 347/33, 49-50, 86-87; 399/110  
See application file for complete search history.

(56) **References Cited**

**U.S. PATENT DOCUMENTS**

5,900,896 A \* 5/1999 Barinaga et al. .... 347/86

D422,306 S \* 4/2000 Gasvoda et al. .... D18/56

D428,438 S \* 7/2000 Hmelar et al. .... D18/56

D428,915 S \* 8/2000 Hmelar et al. .... D18/56

D461,203 S \* 8/2002 Nanjo et al. .... D18/56  
6,637,856 B1 \* 10/2003 Nishi et al. .... 347/33  
6,712,458 B1 \* 3/2004 Hatasa et al. .... 347/86  
6,733,118 B1 \* 5/2004 Pingrey et al. .... 347/87  
6,817,707 B1 \* 11/2004 Fowler et al. .... 347/86  
2003/0007042 A1 \* 1/2003 Lu et al. .... 347/86

\* cited by examiner

*Primary Examiner*—Cathy Anne MacCormac

(74) *Attorney, Agent, or Firm*—Oliff & Berridge, PLC

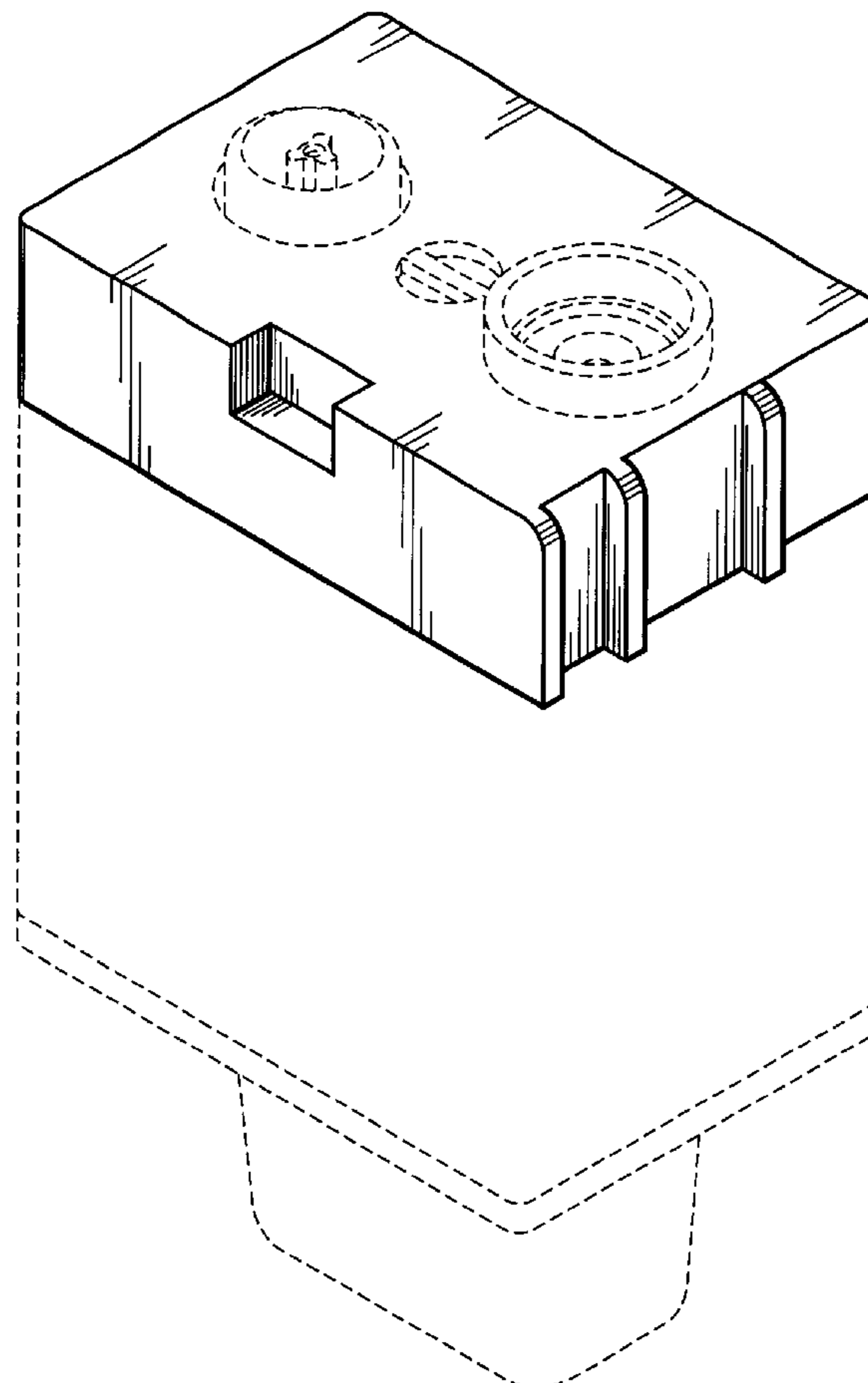
(57) **CLAIM**

The ornamental design for an ink cartridge, as shown and described.

**DESCRIPTION**

FIG. 1 is a perspective view of an ink cartridge;  
FIG. 2 is a front view thereof;  
FIG. 3 is a top view thereof;  
FIG. 4 is a right-side view thereof;  
FIG. 5 is a left-side view thereof;  
FIG. 6 is a rear view thereof; and,  
FIG. 7 is a bottom view thereof.  
The broken lines are for illustrative purposes only and do not form part of the claimed design.

**1 Claim, 4 Drawing Sheets**



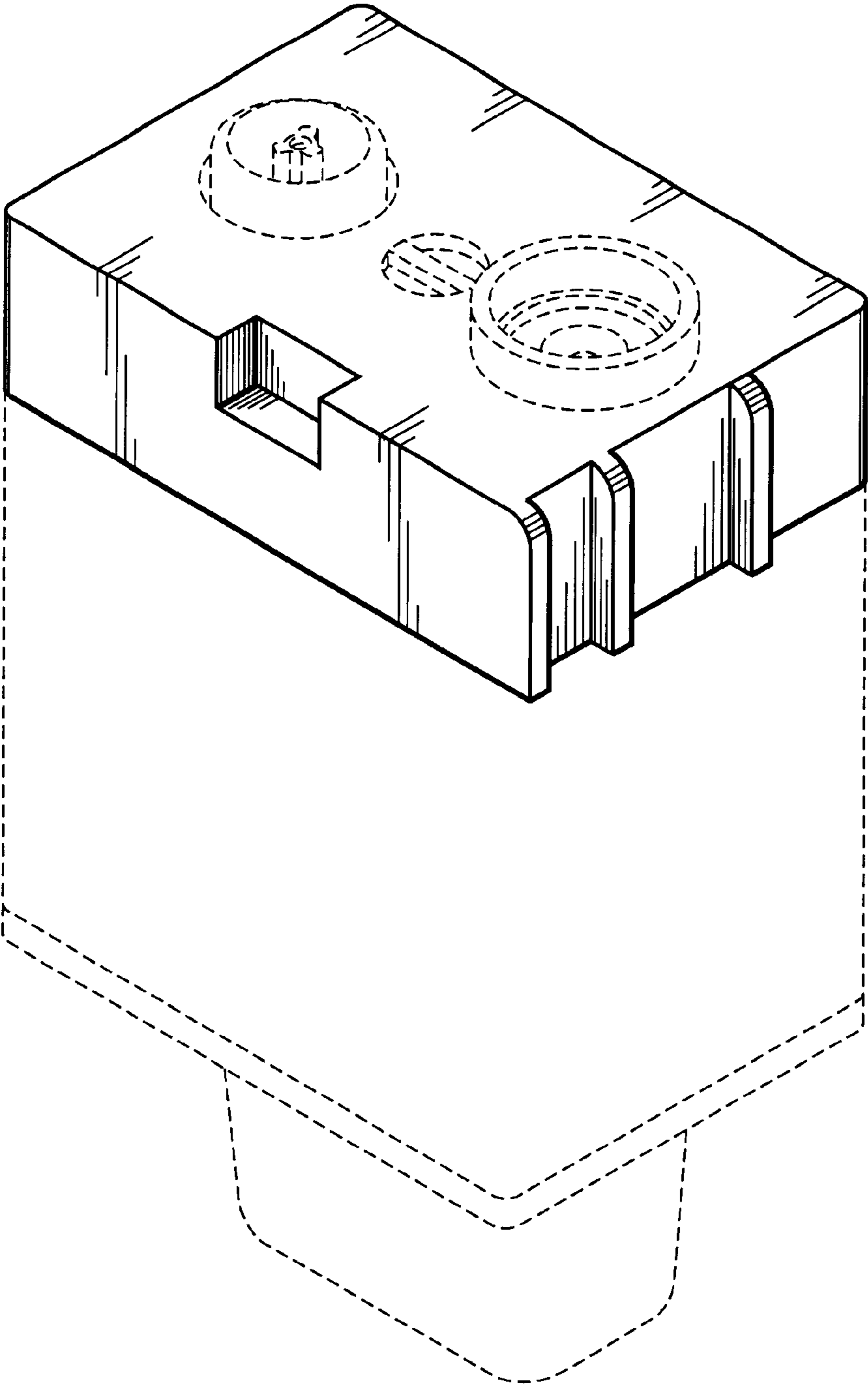


FIG. 1

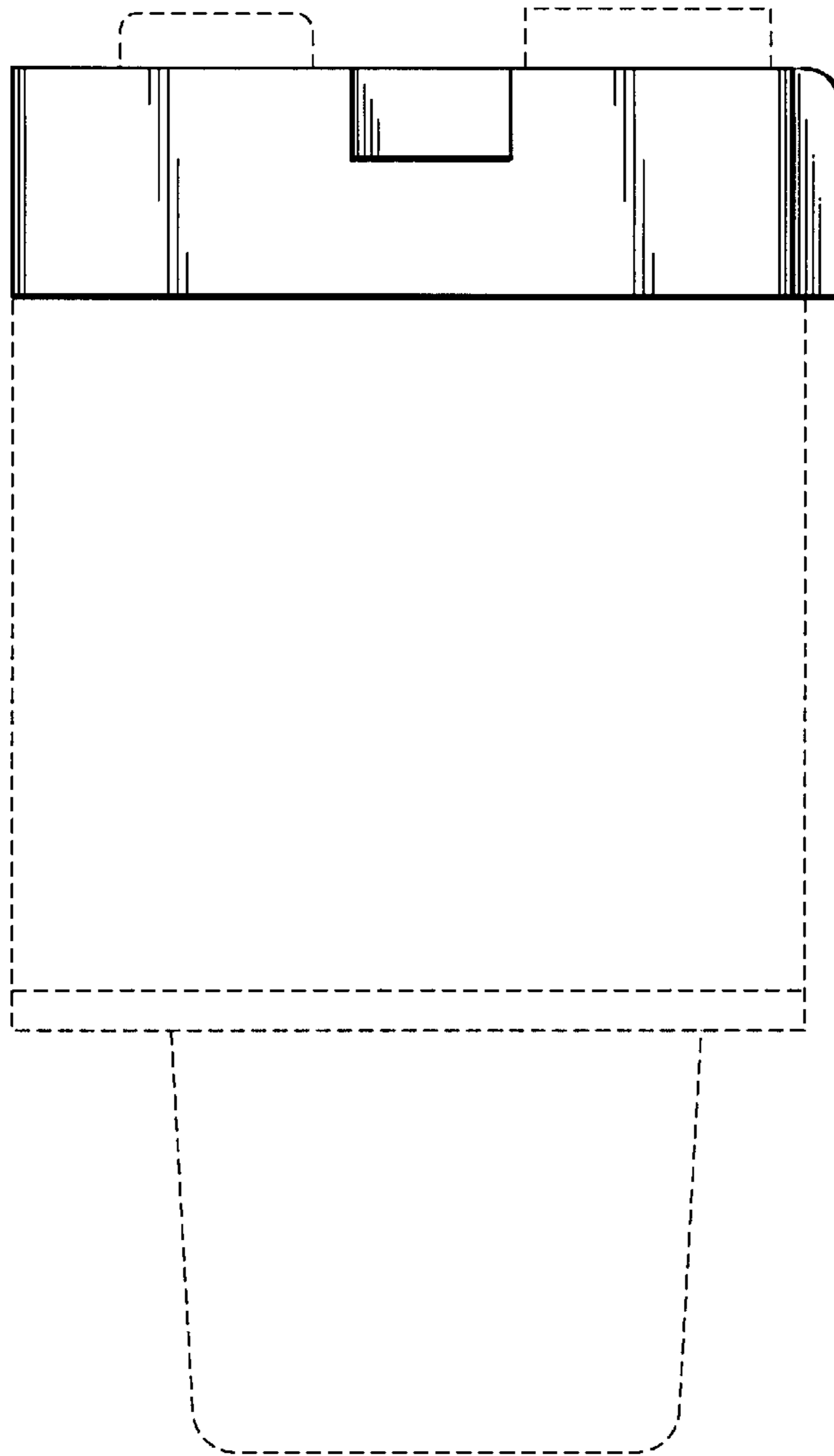


FIG. 2

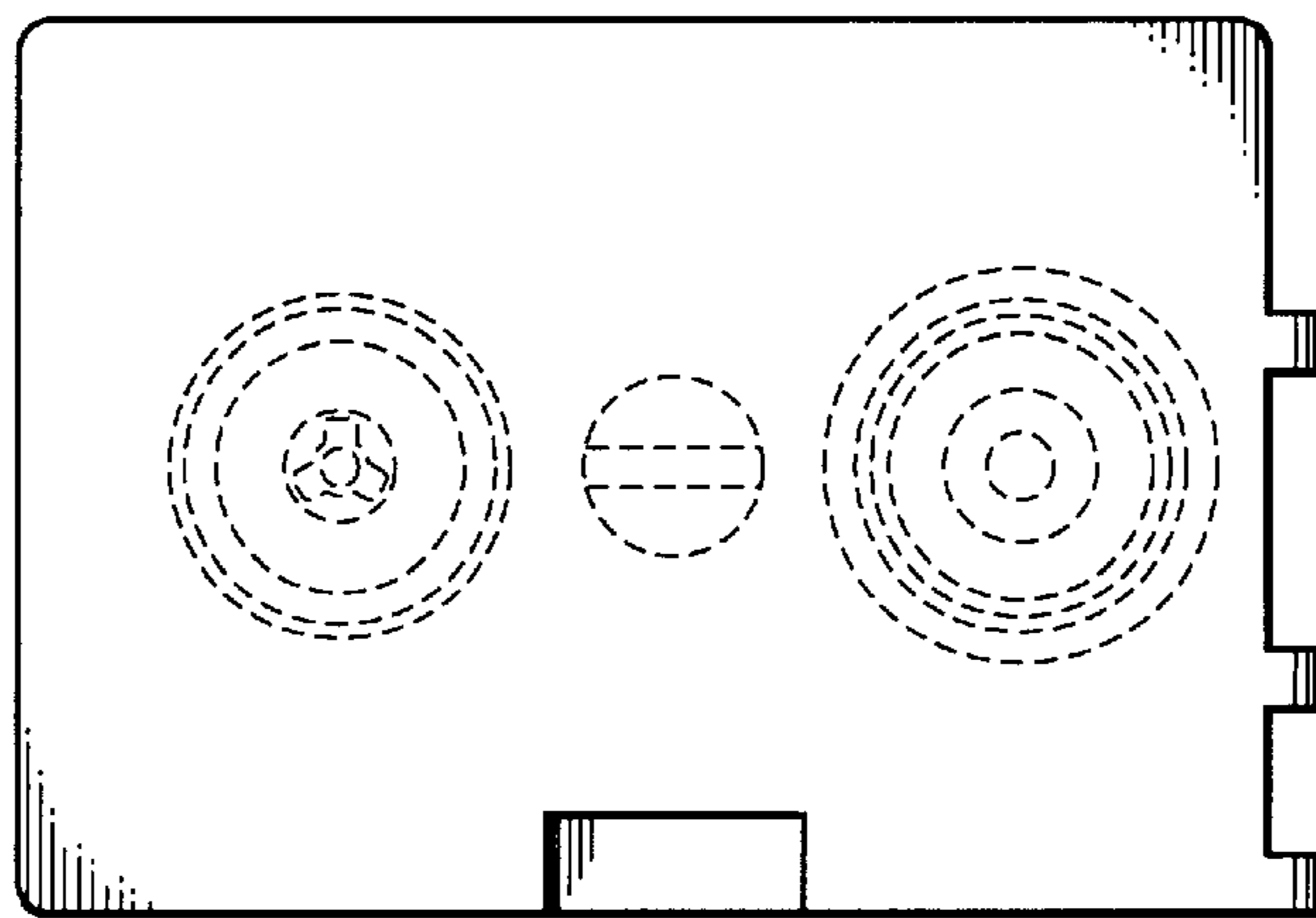


FIG. 3

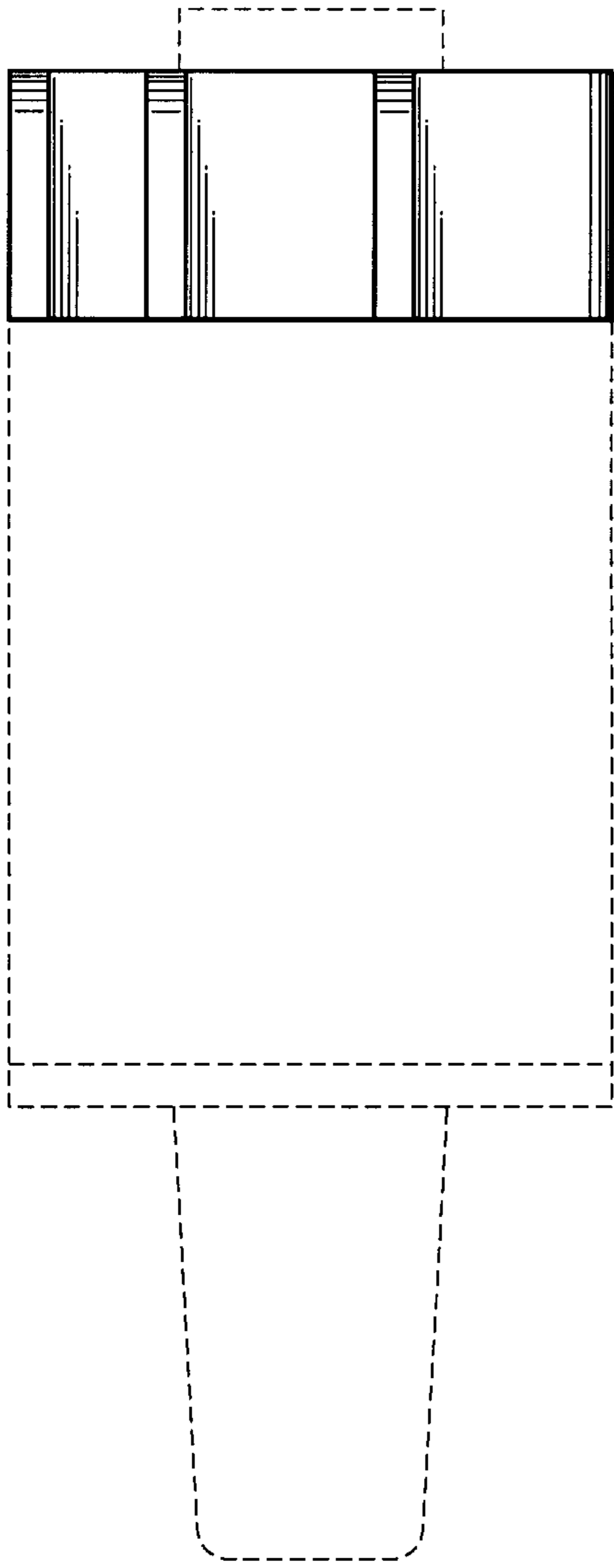


FIG. 4

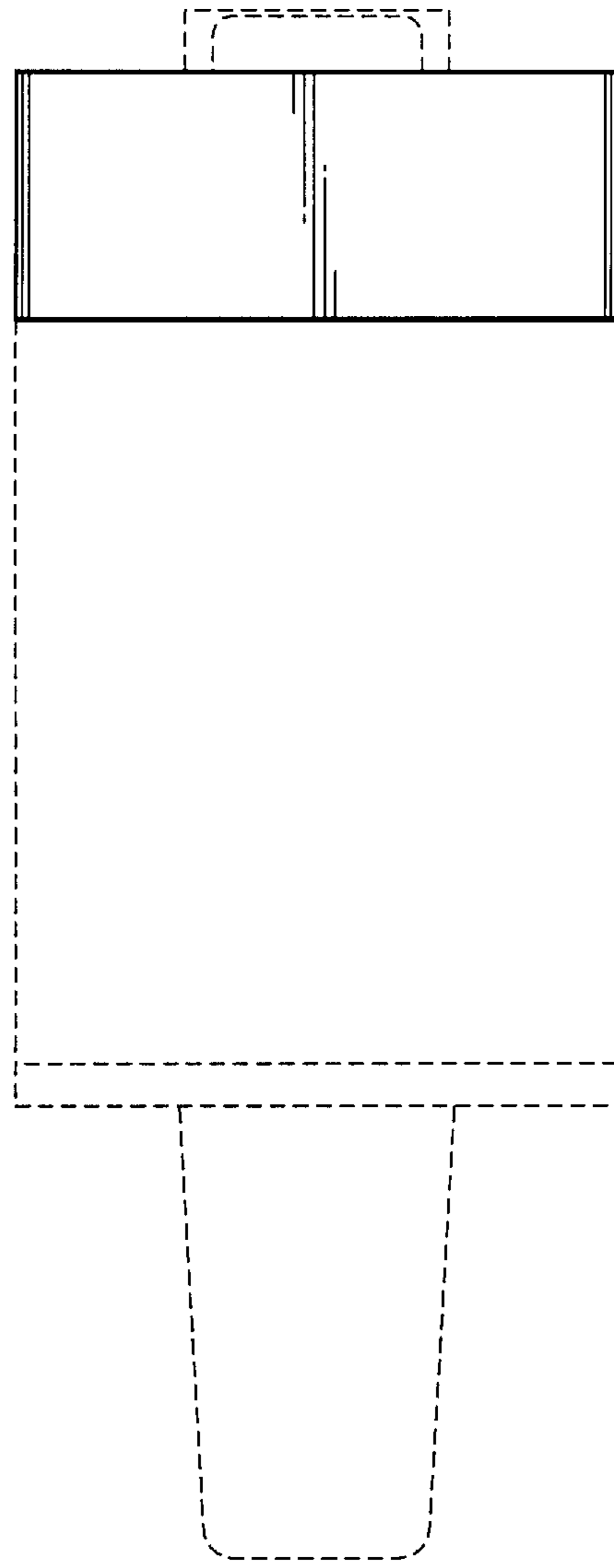


FIG. 5

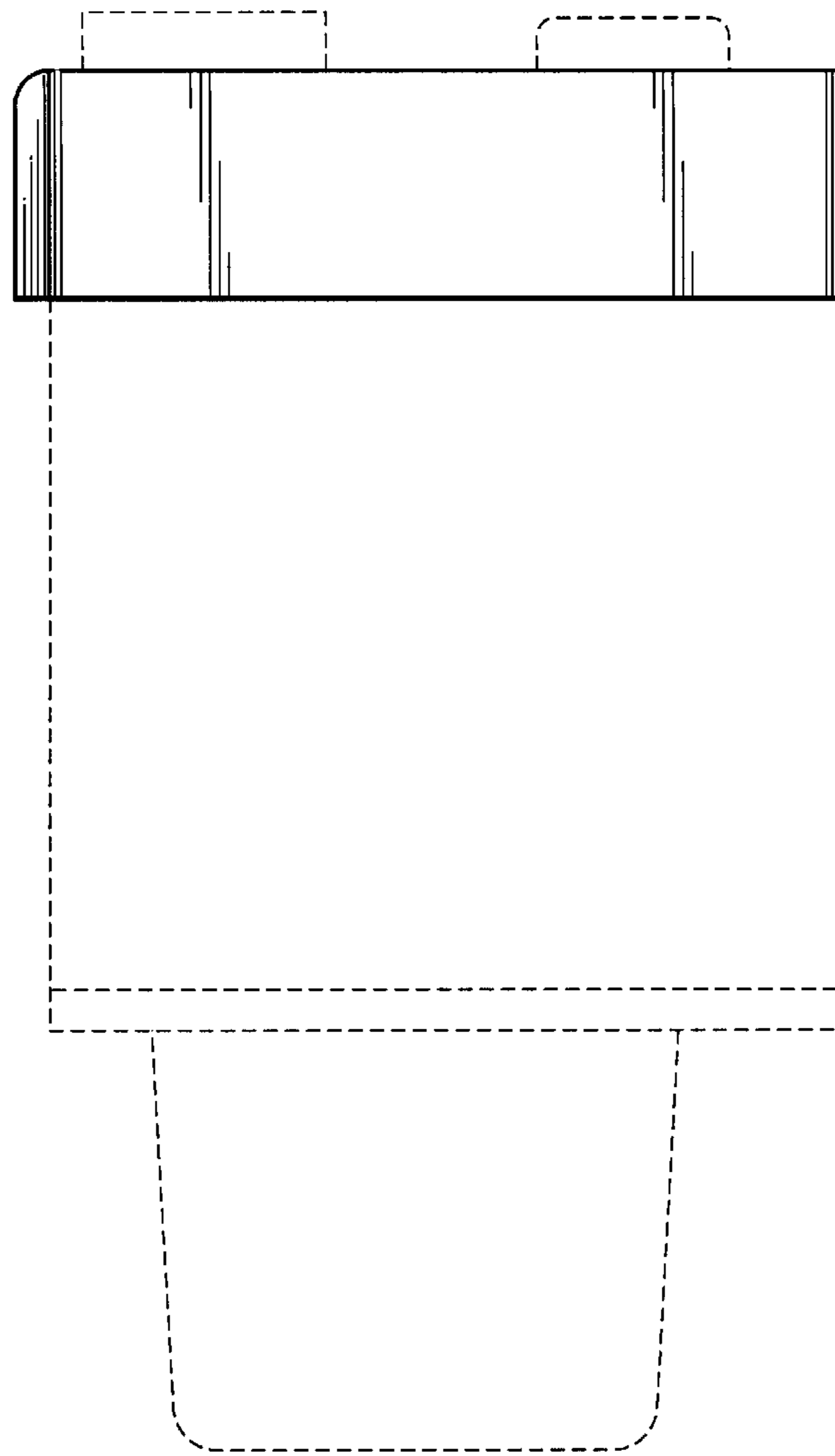


FIG. 6

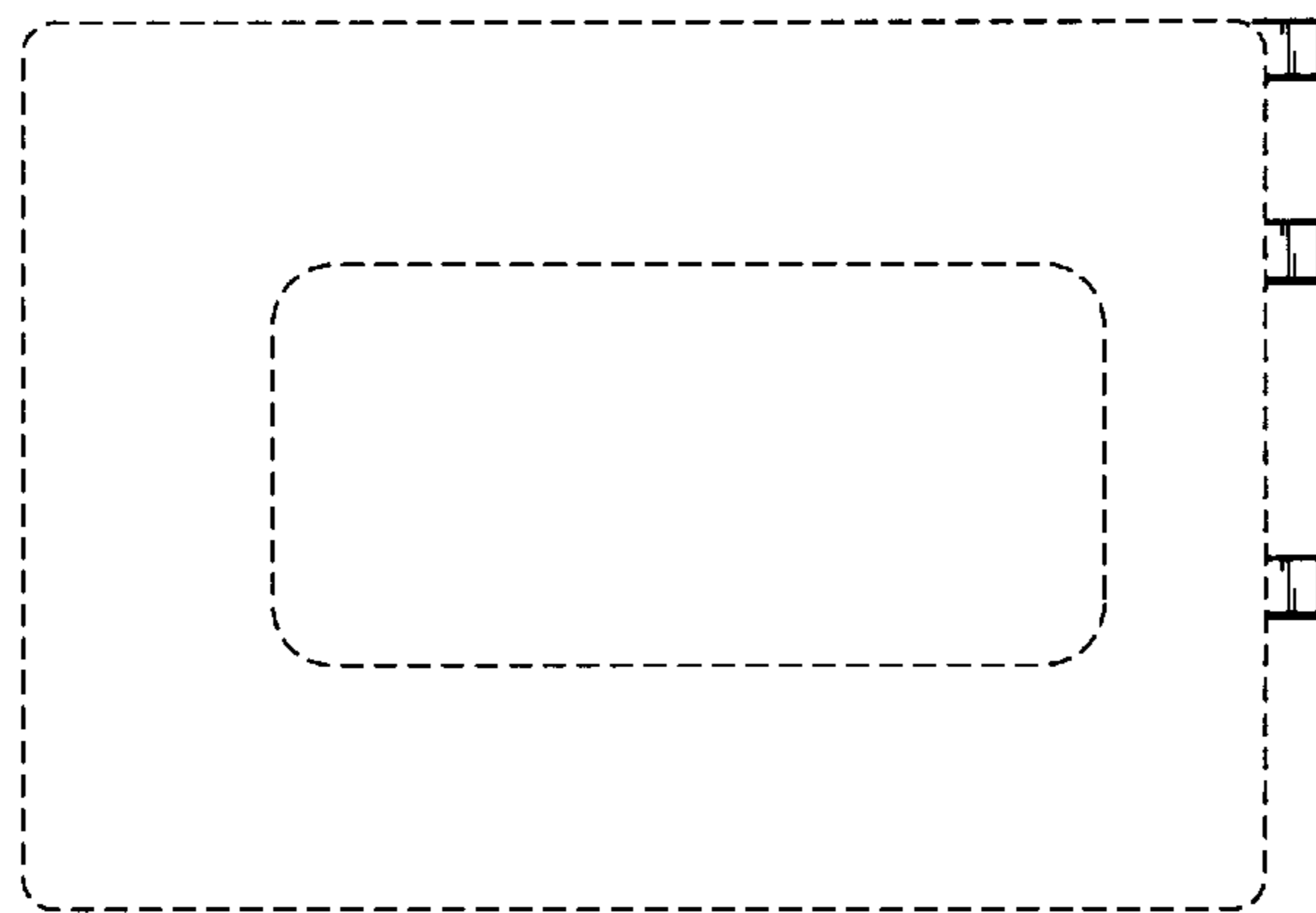


FIG. 7