



US00D519552S

(12) **United States Design Patent** (10) **Patent No.:** **US D519,552 S**
Carriere et al. (45) **Date of Patent:** **** Apr. 25, 2006**

(54) **PRINTER CARTRIDGE**
(75) Inventors: **Richard L. Carriere**, Oak Creek, WI (US); **Kevin L. Wilken**, Wauwatosa, WI (US); **Mark A. Gilbertson**, Sauk City, WI (US)

(73) Assignee: **Brady Worldwide, Inc.**, Milwaukee, WI (US)

(**) Term: **14 Years**

(21) Appl. No.: **29/188,050**

(22) Filed: **Aug. 12, 2003**

(51) **LOC (8) Cl.** **18-02**

(52) **U.S. Cl.** **D18/56**

(58) **Field of Classification Search** D18/56,
D18/43, 12, 19; 400/193, 235.5, 242
See application file for complete search history.

(56) **References Cited**

U.S. PATENT DOCUMENTS

- D188,725 S * 8/1960 Wren et al. D14/476
- D210,172 S * 2/1968 Roman et al. D14/475
- 4,391,539 A 7/1983 Connoy
- 4,480,936 A 11/1984 Kasun et al.
- 4,678,353 A 7/1987 Richardson et al.
- 4,823,953 A 4/1989 Anderson et al.
- 4,844,636 A 7/1989 Paque
- 4,904,100 A 2/1990 Enix
- D318,870 S * 8/1991 Matsuoka D18/12
- D333,481 S 2/1993 Laurent
- D333,482 S * 2/1993 Laurent D18/12
- 5,295,753 A 3/1994 Godo et al.
- D347,241 S 5/1994 Watanabe et al.
- D355,671 S 2/1995 Onumata
- D356,333 S 3/1995 Pearce et al.
- D357,696 S * 4/1995 Lucas et al. D18/12
- D358,601 S 5/1995 Zinsmeyer
- 5,435,657 A 7/1995 Pearce et al.
- 5,439,303 A * 8/1995 Alday 400/242
- 5,500,669 A 3/1996 Yamashita et al.
- D372,044 S 7/1996 Ware et al.
- D372,269 S 7/1996 Miyazaki et al.

- 5,533,818 A 7/1996 Bahrabadi
- D375,756 S * 11/1996 Murray et al. D18/56
- 5,601,375 A 2/1997 Sims et al.
- D378,759 S 4/1997 Hattori et al.
- 5,620,268 A 4/1997 Yamaguchi et al.
- D389,179 S 1/1998 Uchiyama et al.
- 5,785,437 A 7/1998 Koyama et al.
- D398,646 S * 9/1998 Geiger D19/69
- D403,353 S 12/1998 Uchiyama et al.
- D423,566 S 4/2000 Hosono
- 6,196,737 B1 3/2001 Haug
- 6,332,725 B1 12/2001 Palmer et al.
- 6,334,724 B1 1/2002 Yamaguchi et al.
- D486,853 S * 2/2004 Wilken et al. D18/56

FOREIGN PATENT DOCUMENTS

EP 0 661 163 A3 7/1995

* cited by examiner

Primary Examiner—Louis S. Zarfes

Assistant Examiner—Anhdao Doan

(74) *Attorney, Agent, or Firm*—Quarles & Brady LLP

(57) **CLAIM**

The ornamental design for a printer cartridge, as shown and described.

DESCRIPTION

In a preferred embodiment, the nature of this product is as a cartridge for housing label media, thermal transfer ribbon, and a mechanical tensioning system primarily useful for use in a thermal printing system.

FIG. 1 is a right, lower, front perspective view of a bottom portion of a printer cartridge embodying our new design;

FIG. 2 is a front elevational view thereof;

FIG. 3 is a bottom plan view thereof;

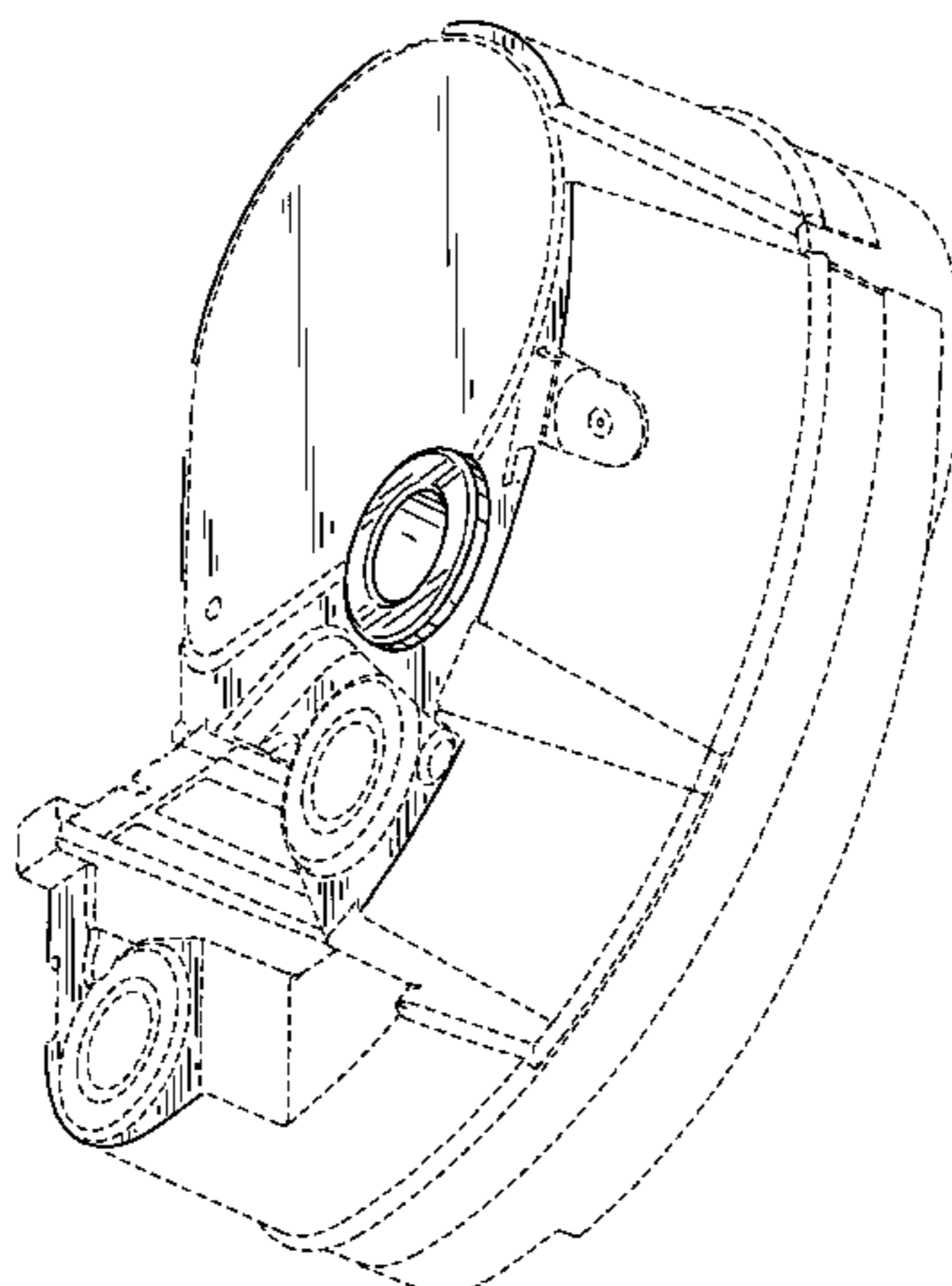
FIG. 4 is a top plan view thereof;

FIG. 5 is a left side elevational view thereof; and,

FIG. 6 is a right side elevational view thereof.

The broken line representations of various structural elements in FIGS. 1–6 are for the purpose of illustration only, and form no part of the claimed design.

1 Claim, 4 Drawing Sheets



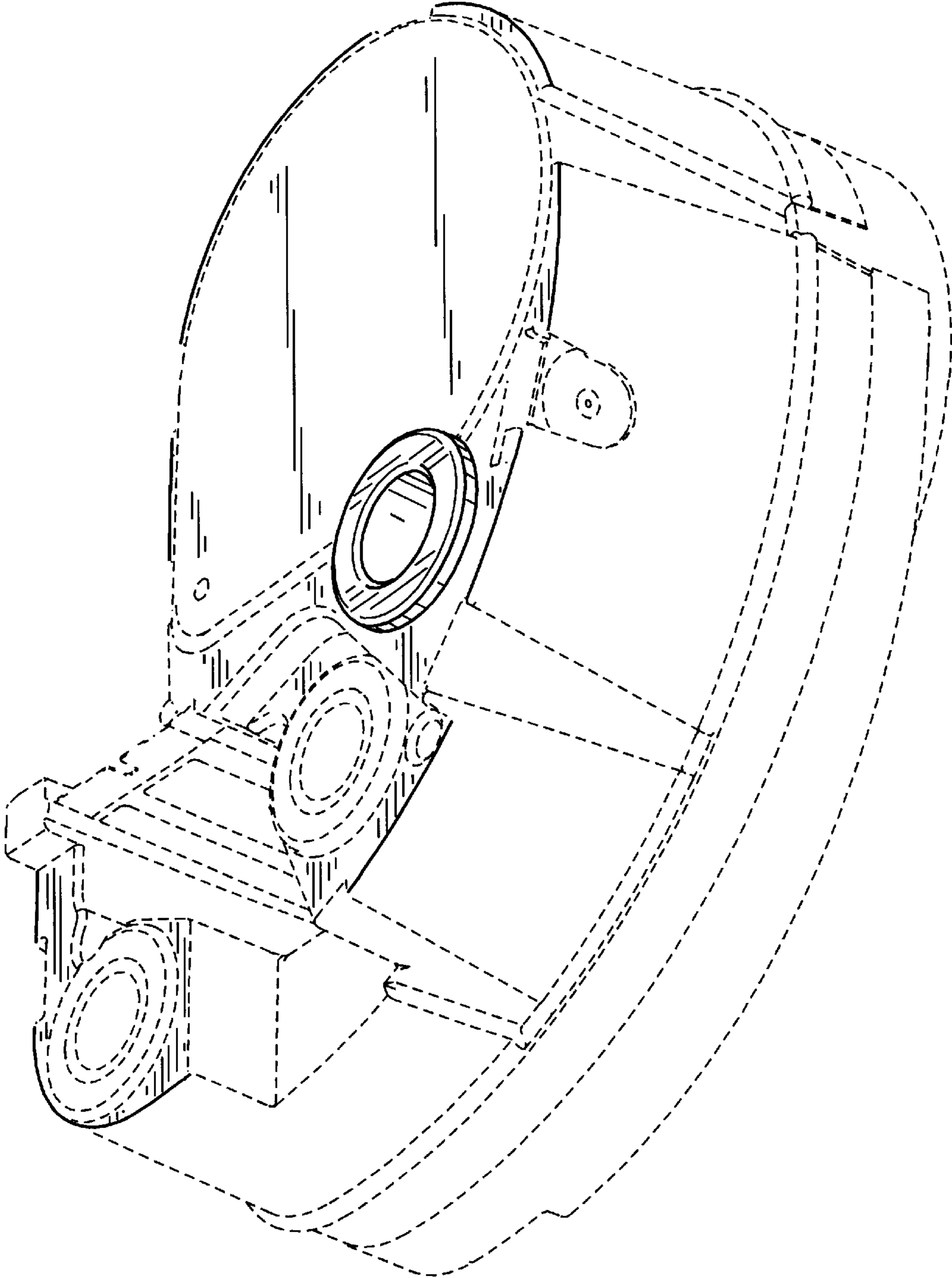


FIG. 1

FIG. 2

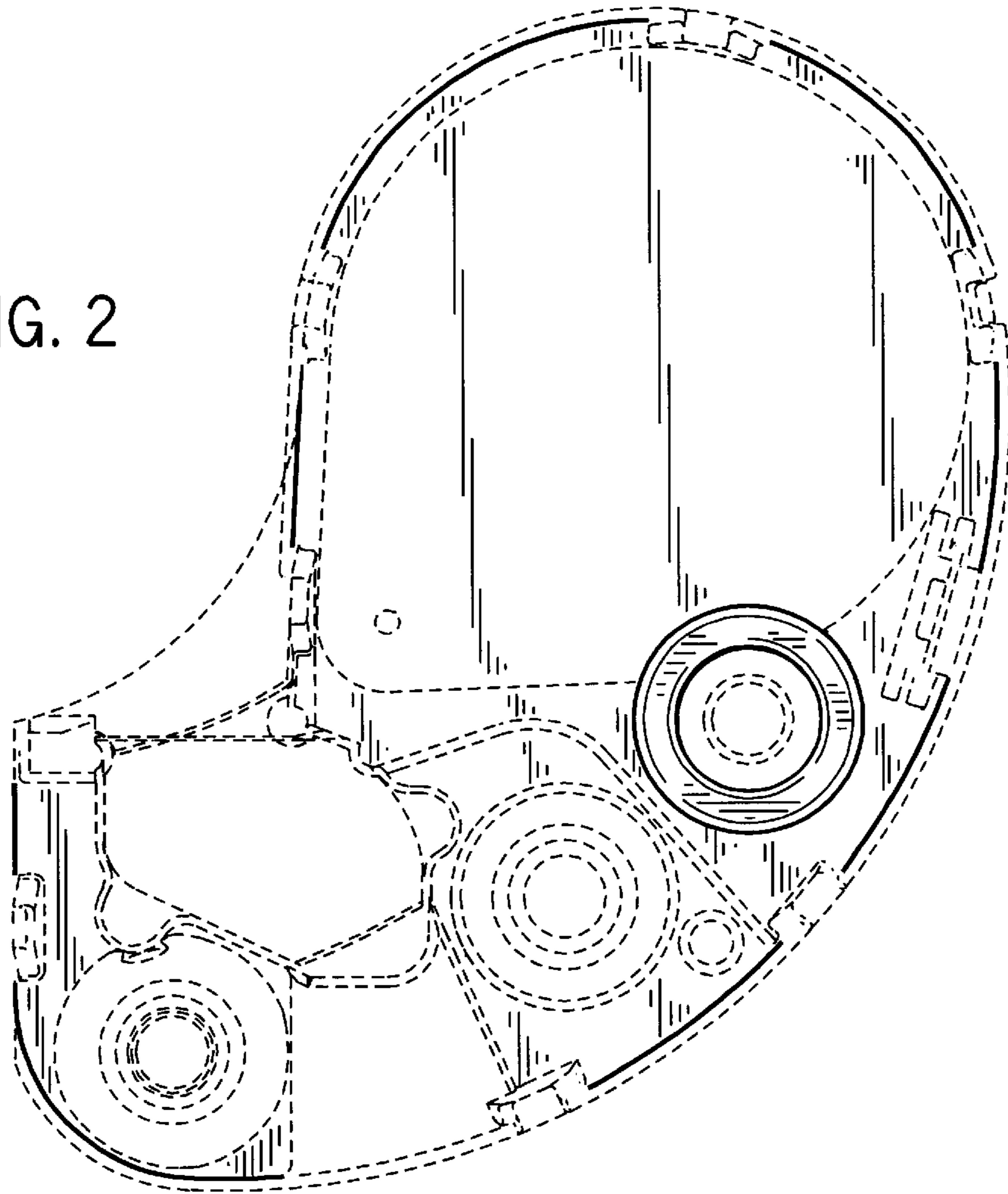
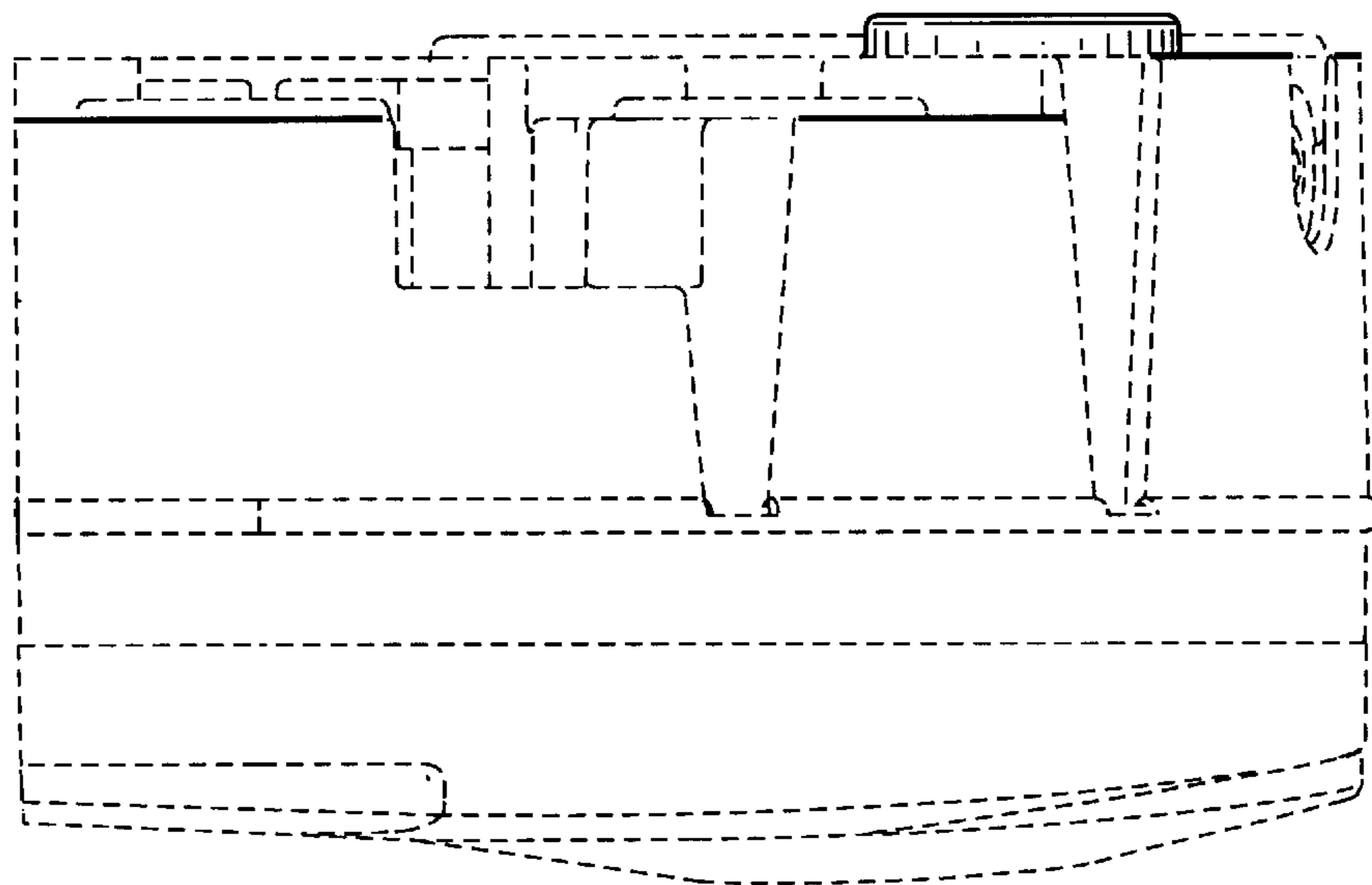


FIG. 3



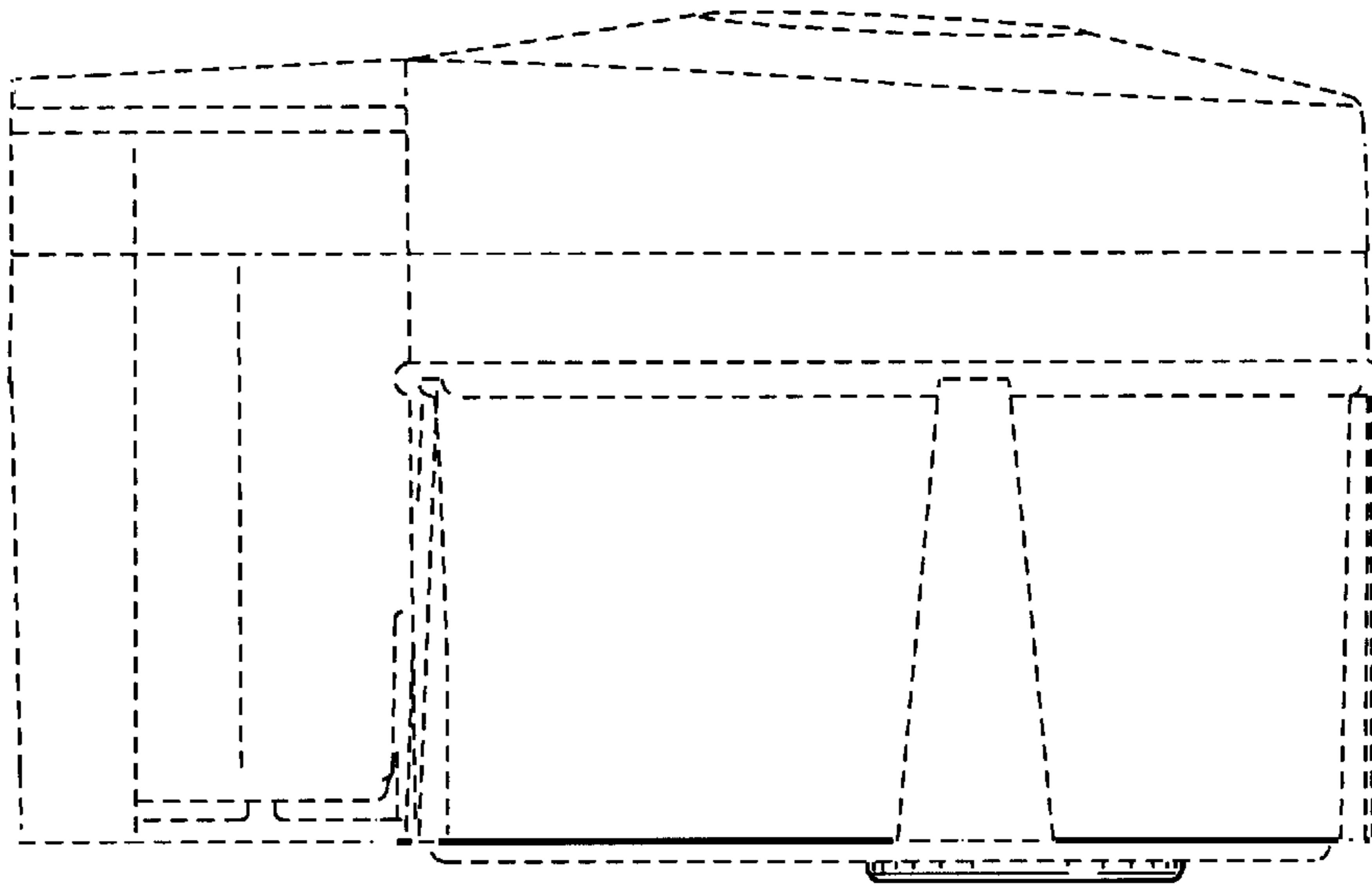
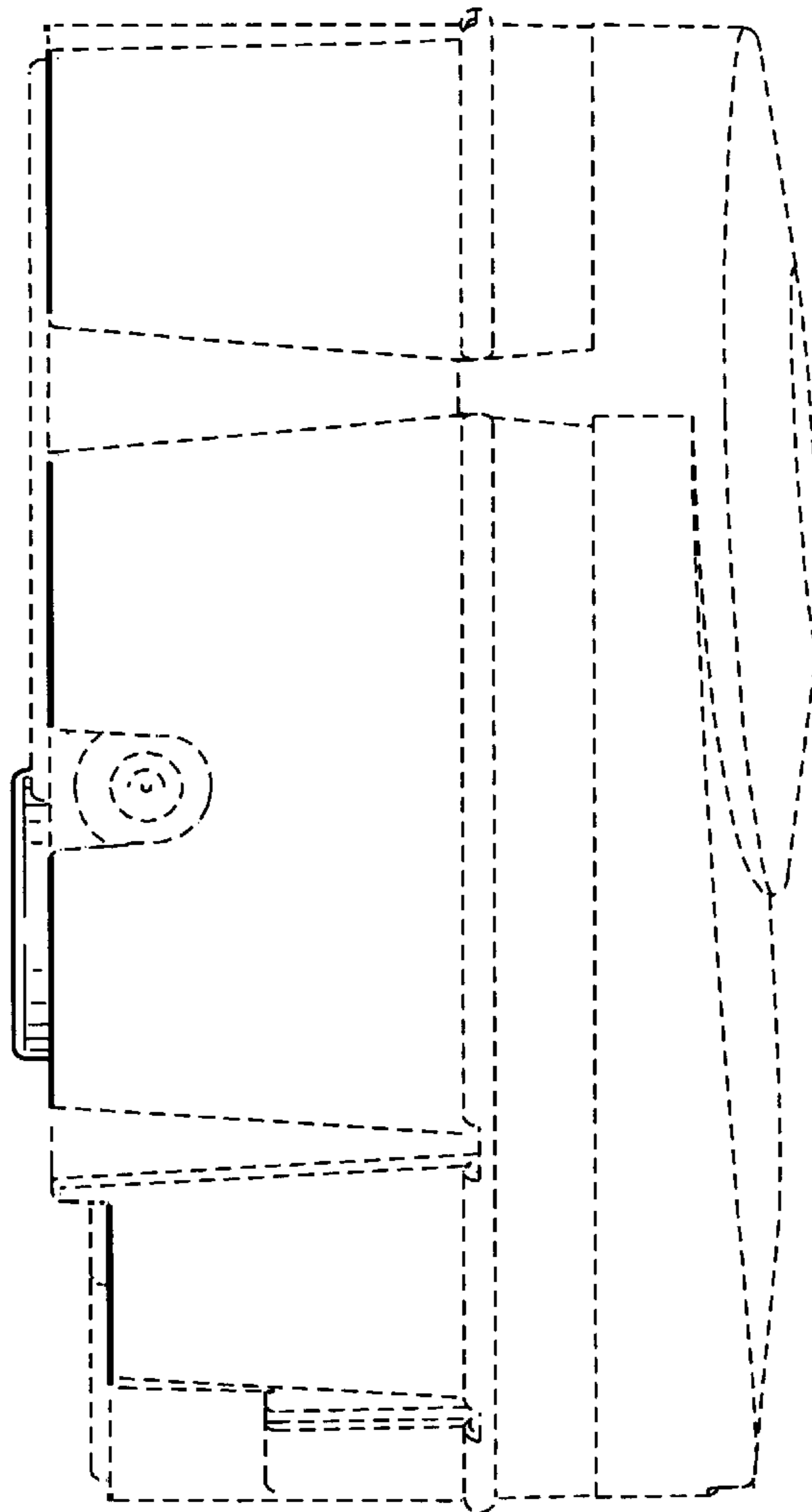


FIG. 4

FIG. 5



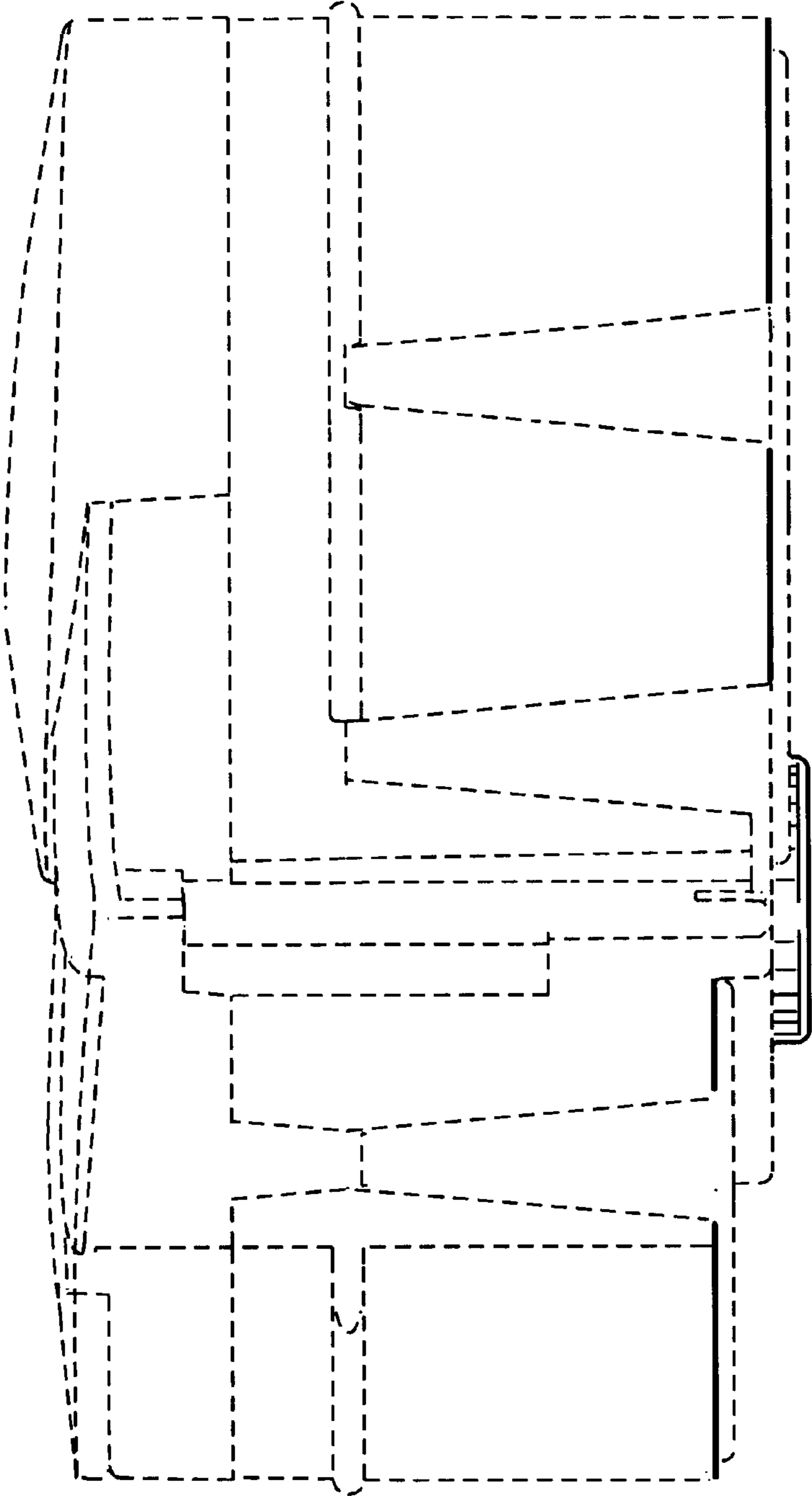


FIG. 6