



US00D519550S

(12) **United States Design Patent** (10) **Patent No.:** **US D519,550 S**  
**Simonetti et al.** (45) **Date of Patent:** **\*\* Apr. 25, 2006**

(54) **PORTION OF A PRINTER**  
(75) Inventors: **Mario Simonetti**, Via Scipione Rivera (IT); **Antonio Croce**, Capistrello (IT); **Luciano Piazzai**, Avezzano (IT)  
(73) Assignee: **Tecnost Sistemi S.p.A**, Ivera (IT)  
(\*\*) Term: **14 Years**  
(21) Appl. No.: **29/233,306**  
(22) Filed: **Jul. 1, 2005**

**Related U.S. Application Data**

(62) Division of application No. 29/177,880, filed on May 27, 2003, now Pat. No. Des. 507,023.

(30) **Foreign Application Priority Data**

Sep. 20, 2002 (IT) ..... TO200200238

(51) **LOC (8) Cl.** ..... **14-02**  
(52) **U.S. Cl.** ..... **D18/50**  
(58) **Field of Classification Search** ..... D18/19, D18/36-39, 50, 54, 54.1, 55; D14/420-425, D14/462-470; 40/613, 613.1, 613.2, 613.3, 40/613.4, 690.1, 690.2, 690.3, 690.4, 691-694  
See application file for complete search history.

(56) **References Cited**

**U.S. PATENT DOCUMENTS**

D280,834 S 10/1985 Yokoi  
4,823,953 A \* 4/1989 Anderson et al. .... 400/613  
D324,234 S \* 2/1992 Tanaka ..... D18/54  
D333,316 S \* 2/1993 Ishizawa ..... D18/55  
5,213,327 A 5/1993 Kitaue

D370,471 S \* 6/1996 Au ..... D14/422  
D377,045 S \* 12/1996 Chida ..... D18/50  
D378,098 S \* 2/1997 Sato ..... D18/54.1  
D386,515 S \* 11/1997 Sommerville et al. .... D18/54.1  
D395,458 S 6/1998 Smith et al.  
D410,499 S 6/1999 Smith et al.  
D411,259 S 6/1999 Ishii et al.  
D421,001 S 2/2000 Miyashita  
D439,273 S \* 3/2001 Sato et al. .... D18/54.1  
D439,275 S \* 3/2001 Ohashi ..... D18/55  
6,234,696 B1 \* 5/2001 Whittaker ..... 400/613  
D450,757 S \* 11/2001 Okamura ..... D18/55  
D455,793 S 4/2002 Lin  
D476,638 S 7/2003 Tsukahara  
D501,502 S \* 2/2005 Scully et al. .... D18/50  
2004/0175221 A1 \* 9/2004 Sekino ..... 400/613

\* cited by examiner

*Primary Examiner*—Cathy Anne MacCormac  
(74) *Attorney, Agent, or Firm*—Banner & Witcoff, LLP

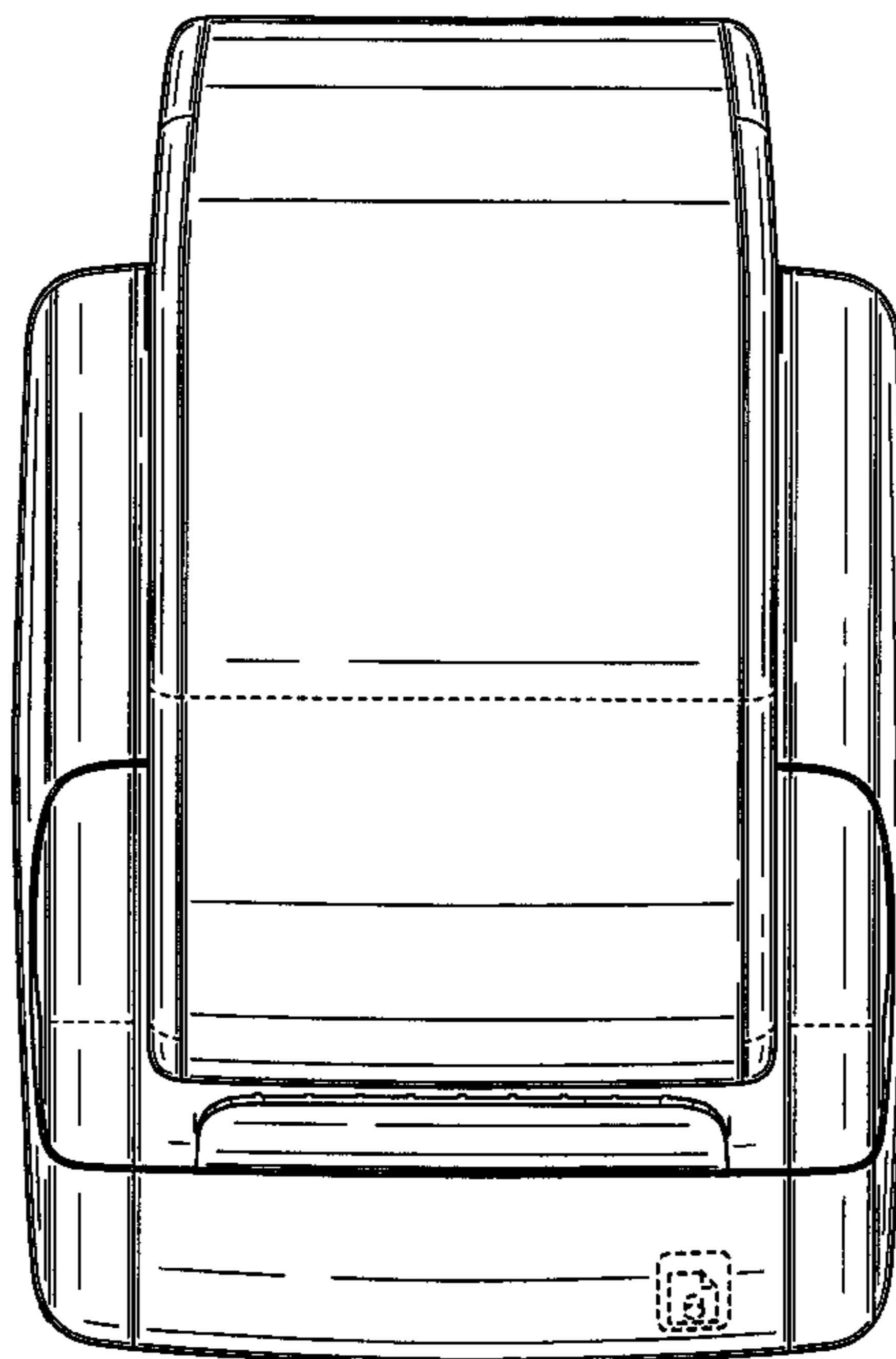
(57) **CLAIM**

The ornamental design for a portion of a printer, as shown and described.

**DESCRIPTION**

FIG. 1 is a front and right side perspective view of a portion of a printer showing our new design;  
FIG. 2 is a front view thereof;  
FIG. 3 is a rear view thereof;  
FIG. 4 is a left side view thereof;  
FIG. 5 is a right side view thereof; and,  
FIG. 6 is top plan view thereof.  
The broken lines are for illustrative purposes only and form no part of the claimed design.

**1 Claim, 6 Drawing Sheets**



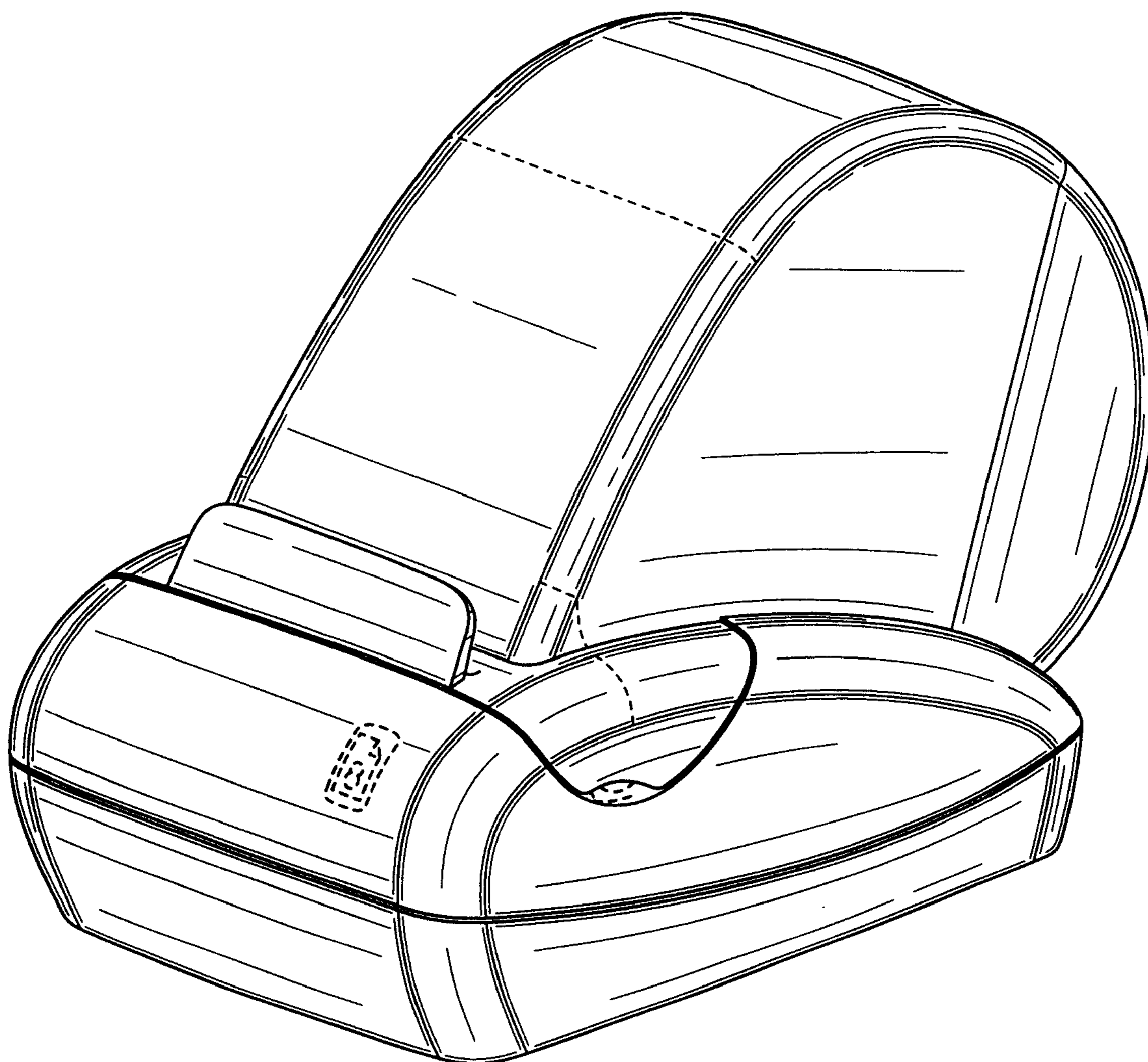


FIG. 1

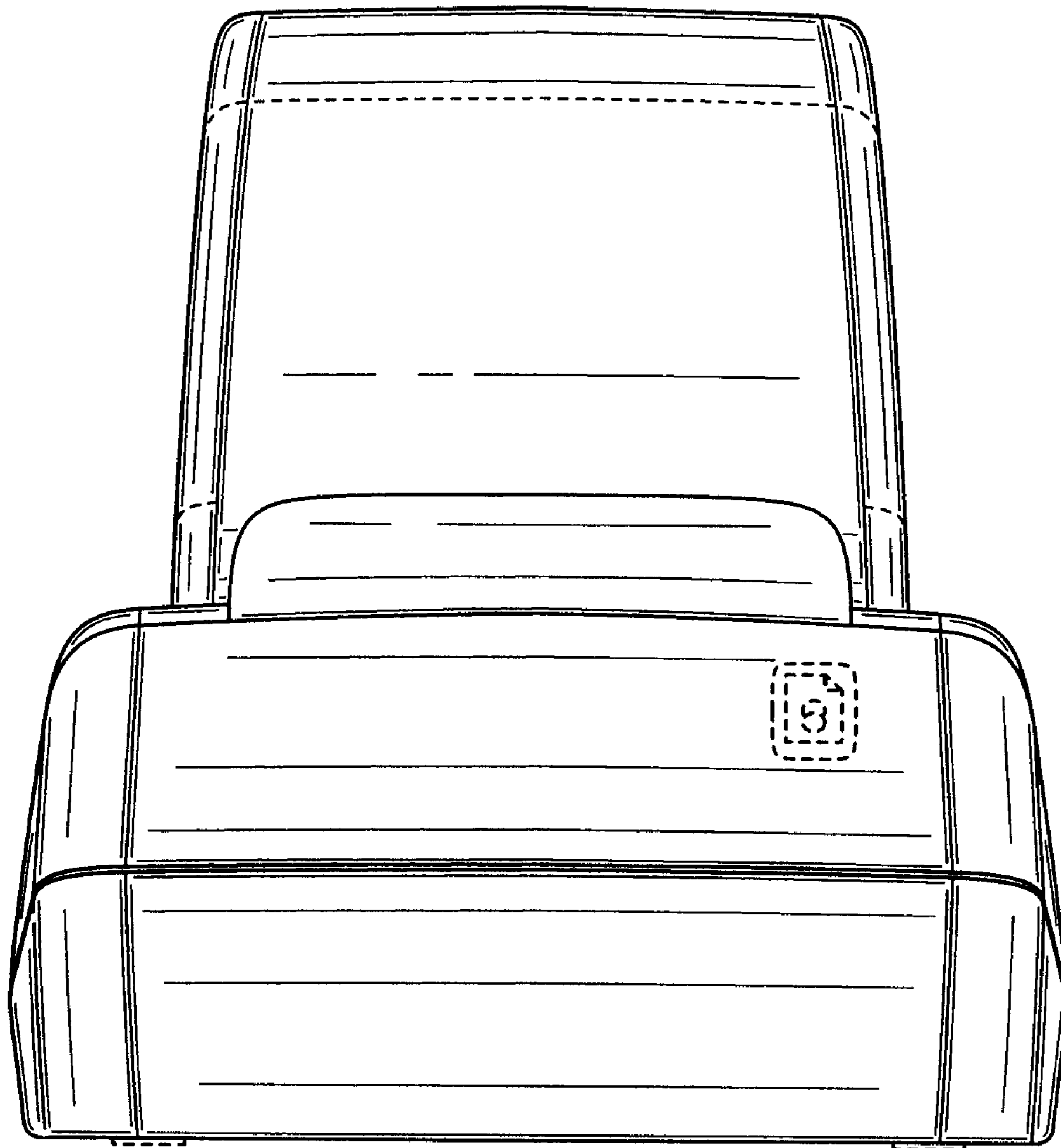


FIG. 2

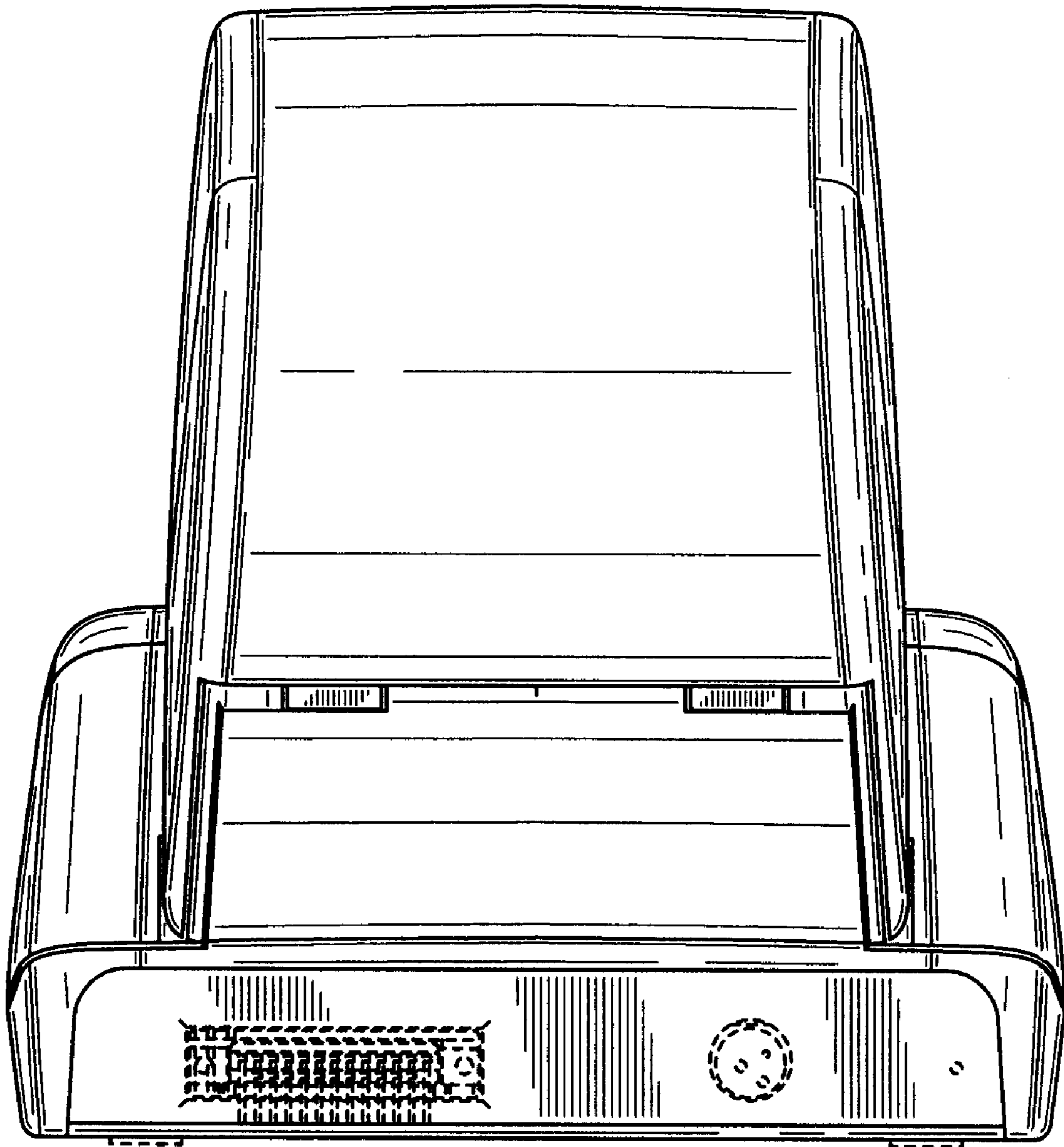


FIG. 3

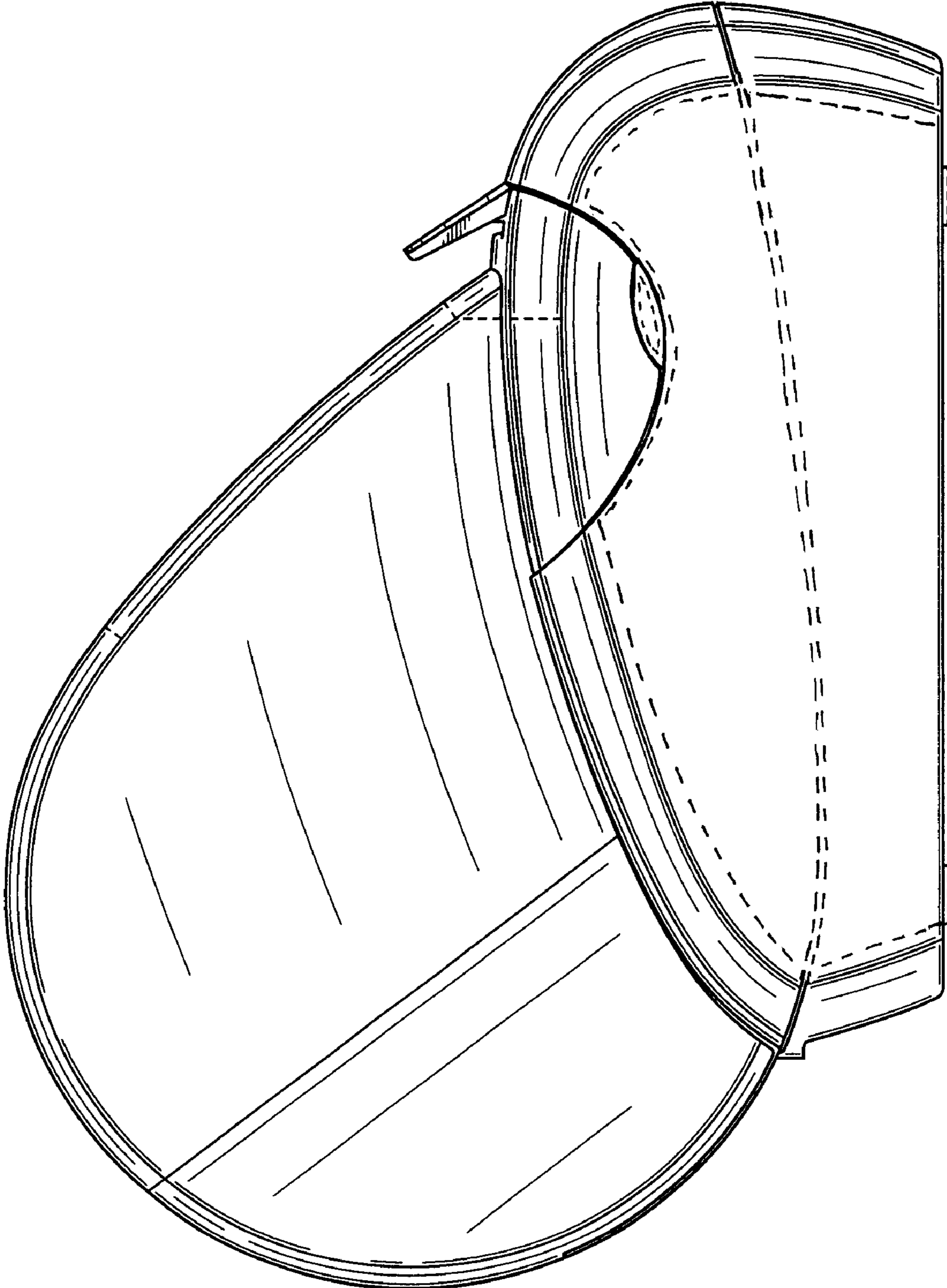


FIG. 4

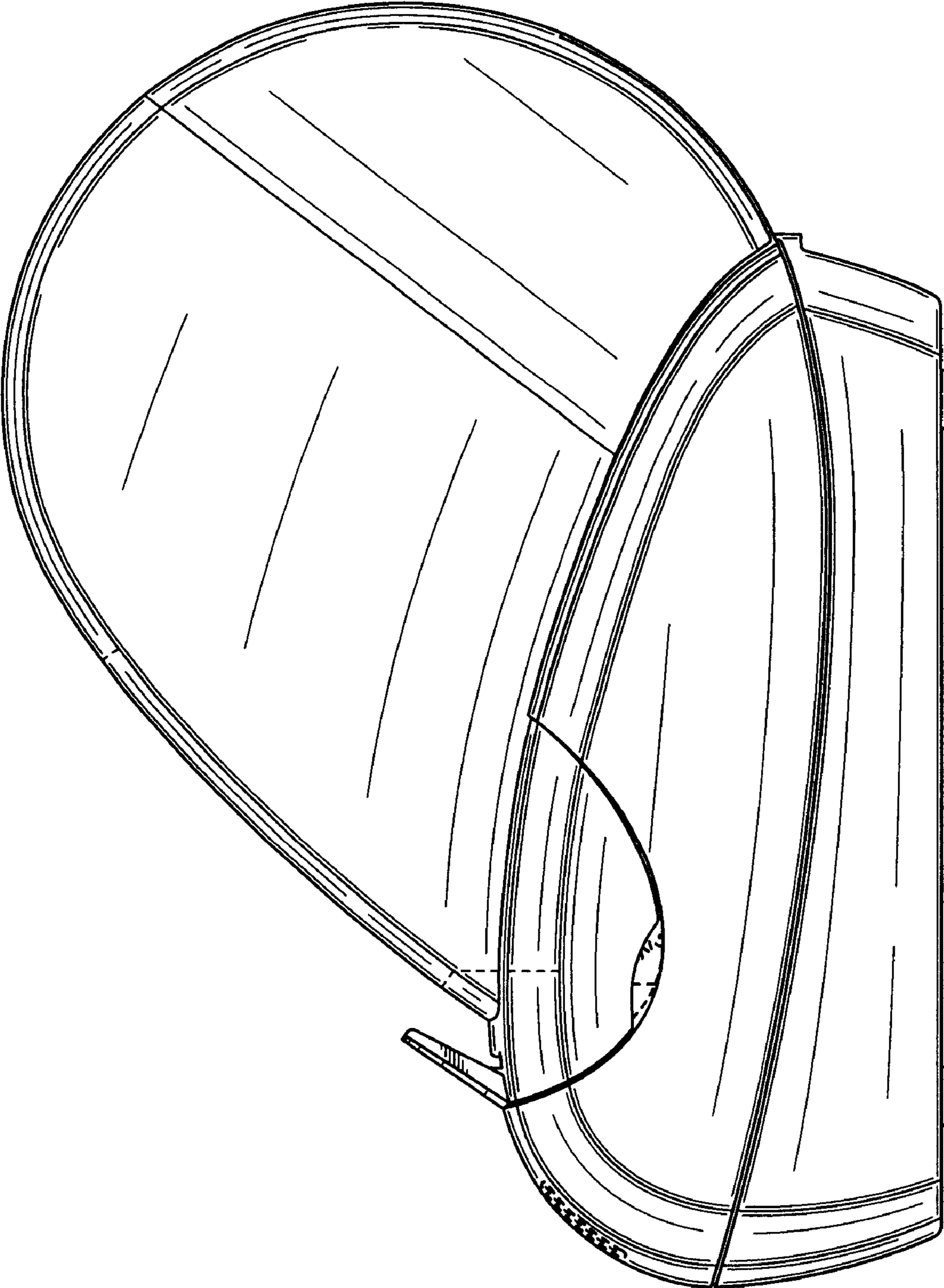


FIG. 5

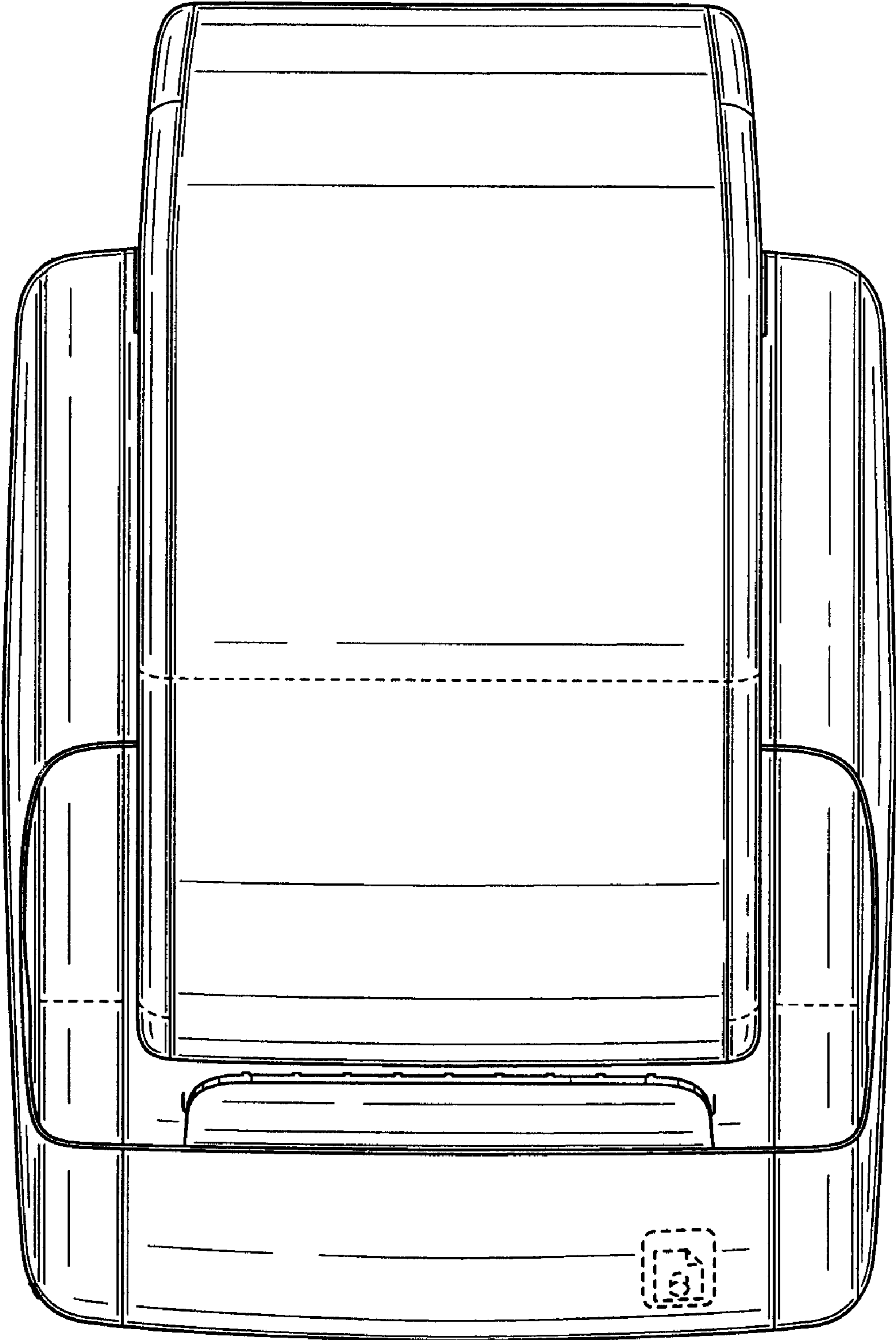


FIG. 6