



US00D519549S

(12) **United States Design Patent**
Tanio

(10) **Patent No.:** **US D519,549 S**
(45) **Date of Patent:** **** Apr. 25, 2006**

(54) **PRINTER**

(75) Inventor: **Satoru Tanio**, Hachioji (JP)

(73) Assignee: **Olympus Corporation**, Tokyo (JP)

(**) Term: **14 Years**

(21) Appl. No.: **29/208,516**

(22) Filed: **Jun. 29, 2004**

(51) **LOC (8) Cl.** **14-02**

(52) **U.S. Cl.** **D18/50**

(58) **Field of Classification Search** D18/19,
D18/36-39, 50, 54, 54.1, 55; D14/420-425,
D14/462-470; 40/613, 613.1, 613.2, 613.3,
40/613.4, 690.1, 690.2, 690.3, 690.4, 691-694;
D16/237, 346-248; 348/375; 396/429, 430
See application file for complete search history.

(56) **References Cited**

U.S. PATENT DOCUMENTS

4,937,676 A * 6/1990 Finelli et al. 348/375
D317,785 S * 6/1991 Norris et al. D16/248
D413,351 S * 8/1999 Escobedo et al. D18/50
D431,047 S * 9/2000 Yokakowa D18/50

D444,811 S * 7/2001 Yamamoto D18/50
D449,333 S * 10/2001 Osmus et al. D18/50
6,366,338 B1 * 4/2002 Masubuchi et al. 355/67
D470,164 S * 2/2003 Obata D16/237
6,552,743 B1 * 4/2003 Rissman 348/375
6,693,665 B1 * 2/2004 Shindo et al. 348/375
D501,503 S * 2/2005 Leong et al. D18/55
D504,696 S * 5/2005 Swayze et al. D18/50

* cited by examiner

Primary Examiner—Cathy Anne MacCormac

(74) *Attorney, Agent, or Firm*—Hogan & Hartson LLP

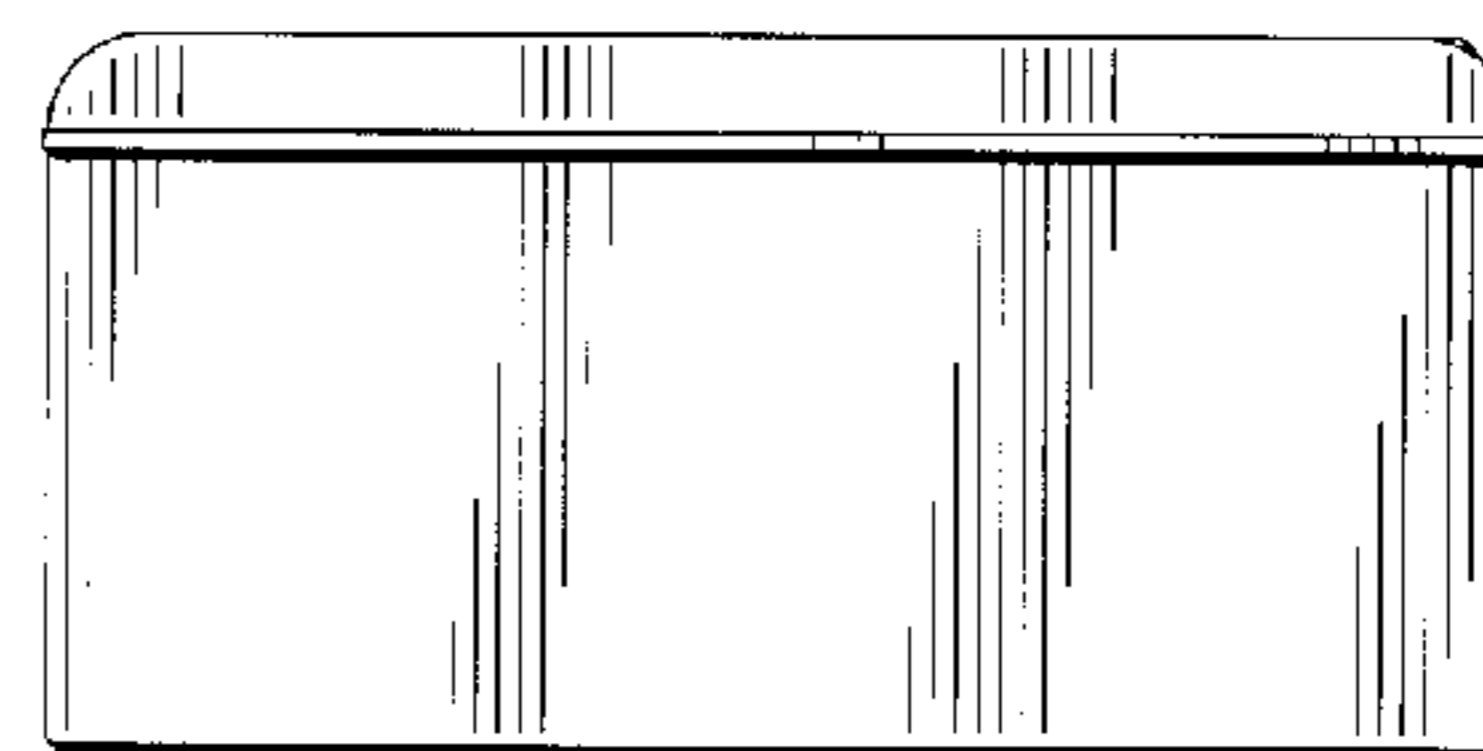
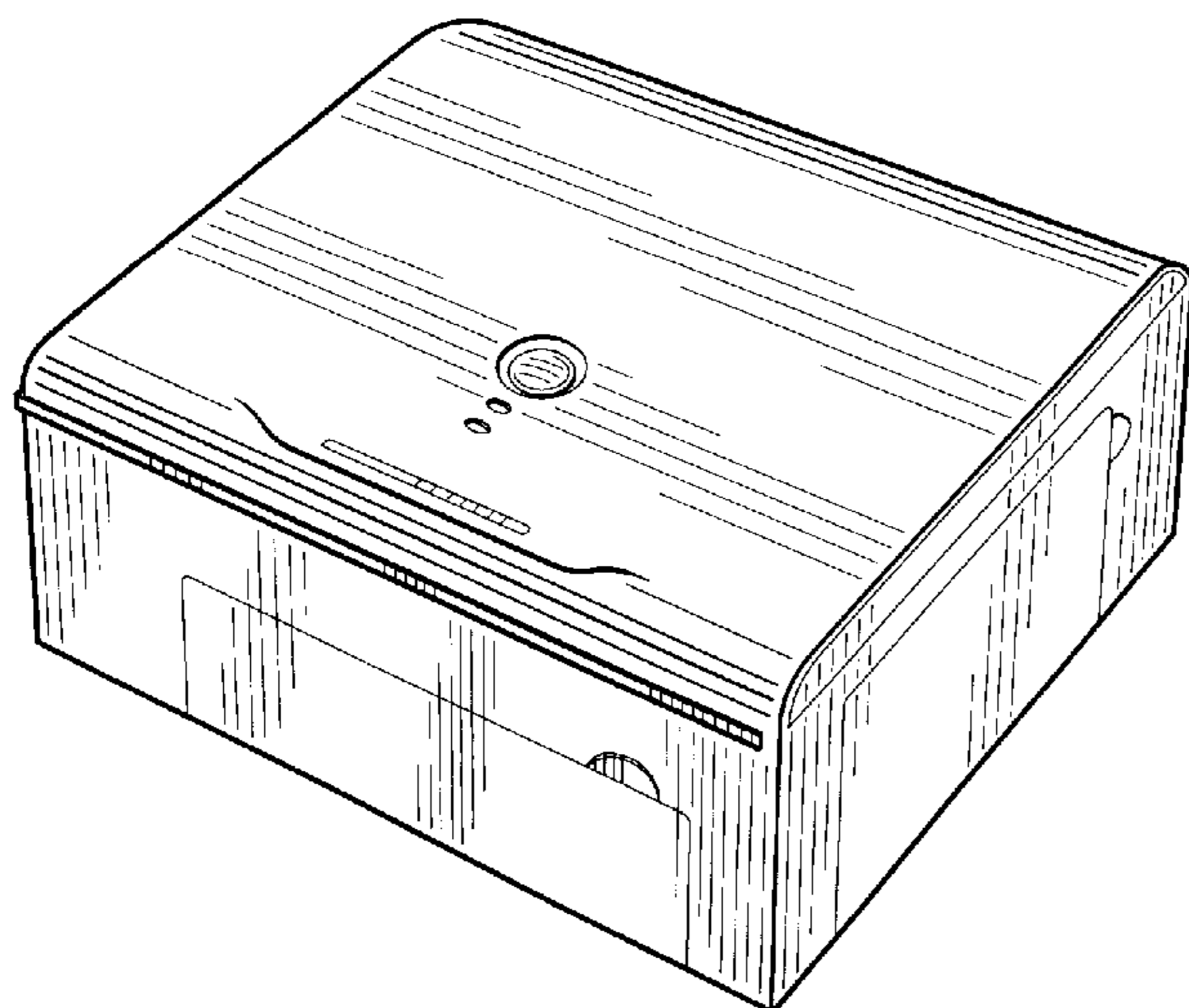
(57) **CLAIM**

The ornamental design for a printer, as shown and described.

DESCRIPTION

FIG. 1 is a perspective view of a printer, showing my new design;
FIG. 2 is a front elevational view thereof;
FIG. 3 is a rear elevational view thereof;
FIG. 4 is a top plan view thereof;
FIG. 5 is a bottom plan view thereof;
FIG. 6 is a right side elevational view thereof; and,
FIG. 7 is a left side elevational view thereof.

1 Claim, 3 Drawing Sheets



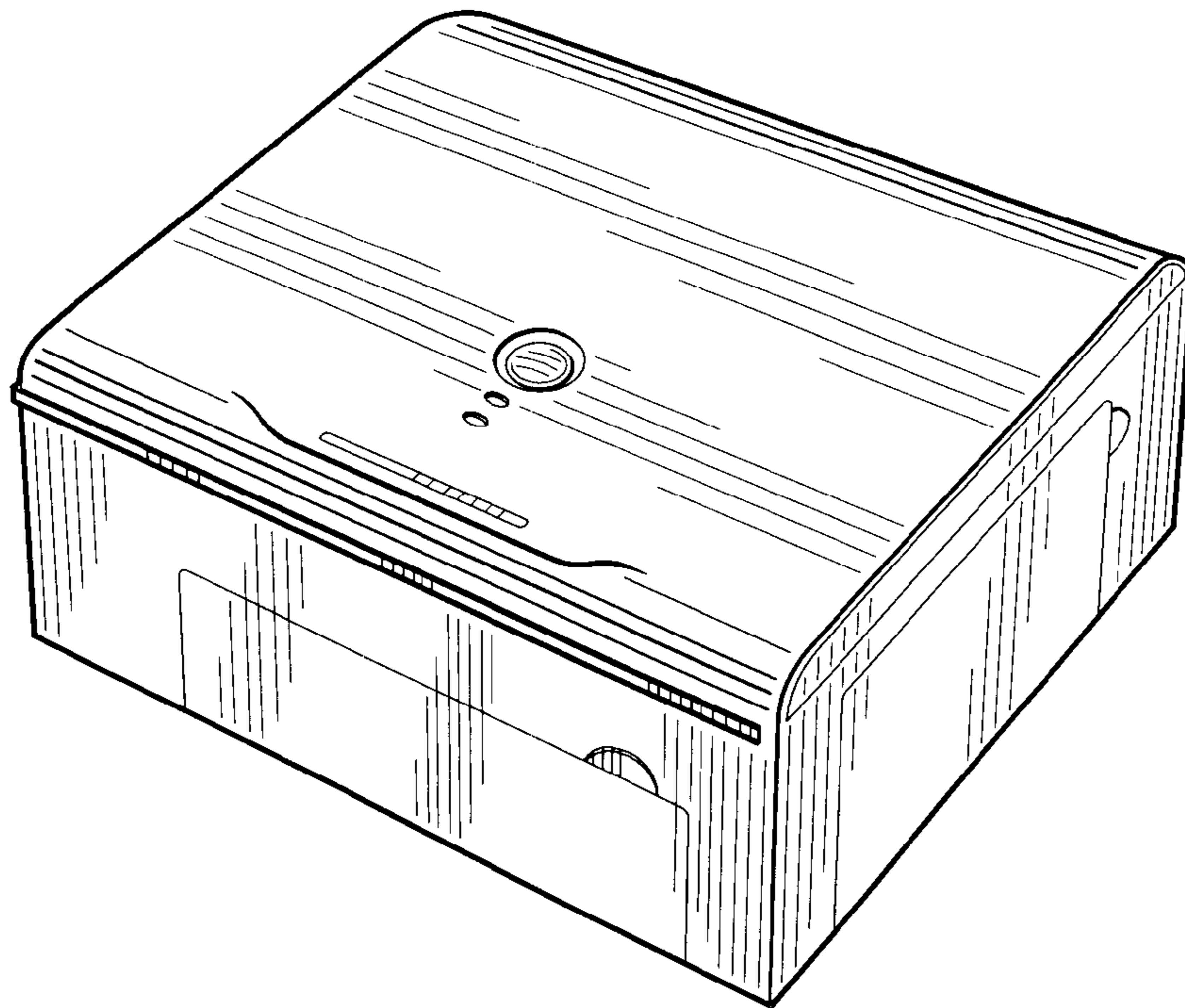


FIG. 1

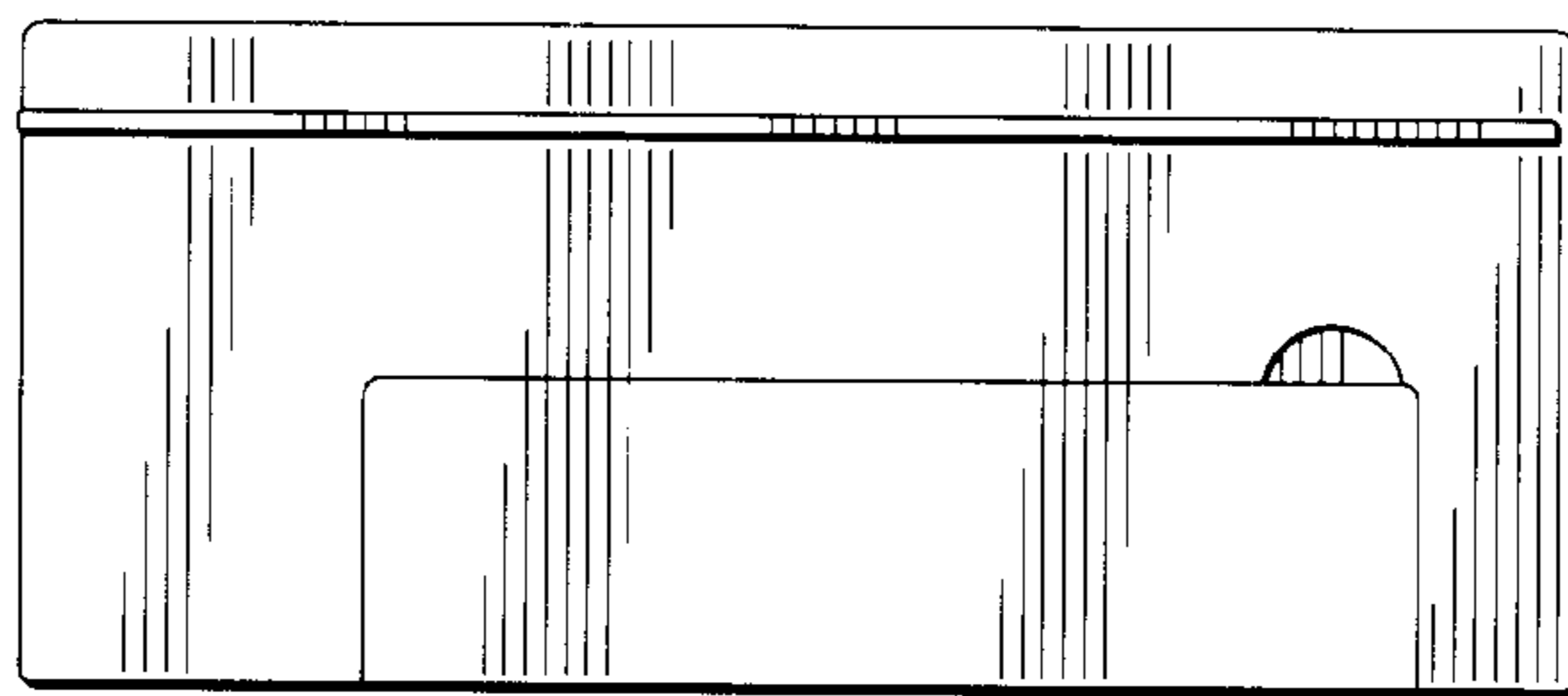


FIG. 2

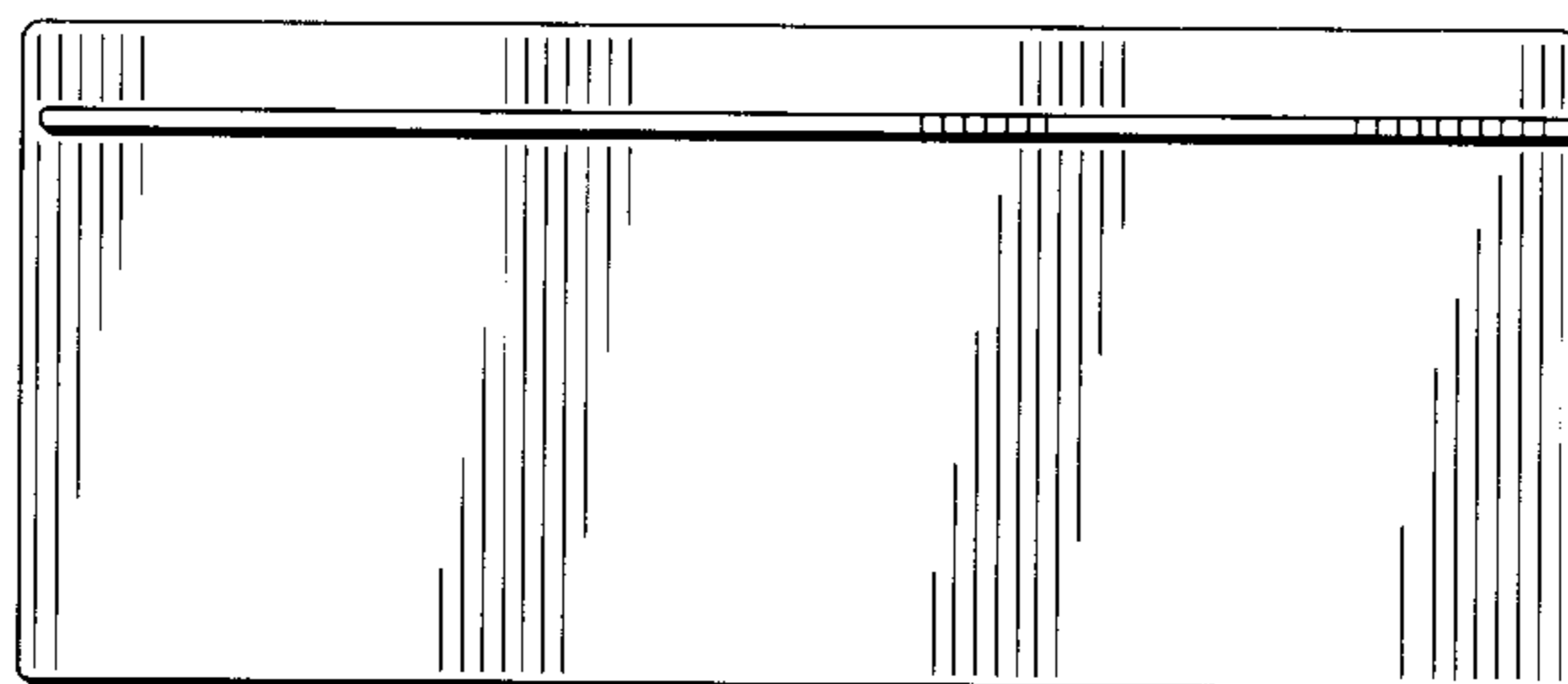


FIG. 3

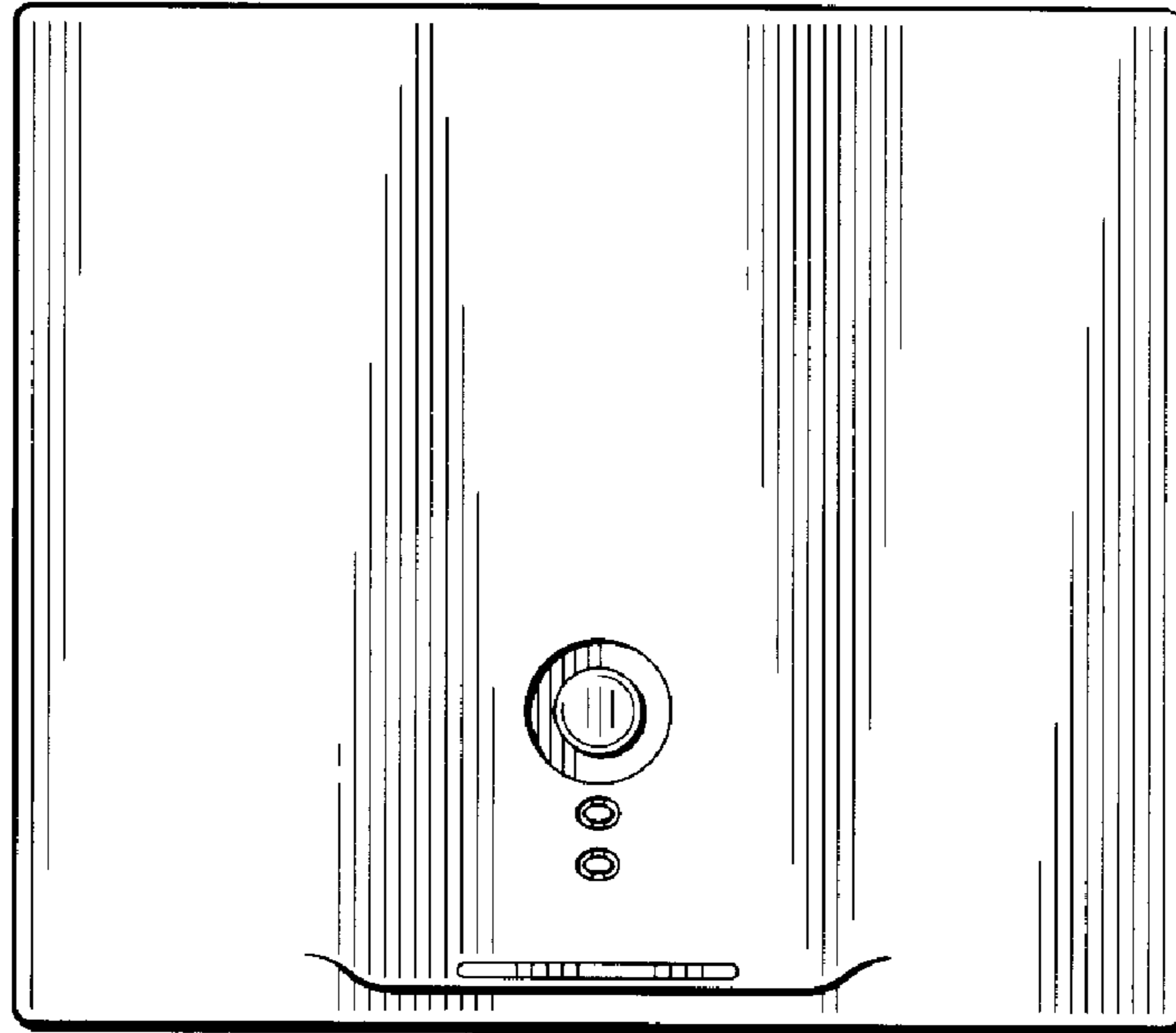


FIG. 4

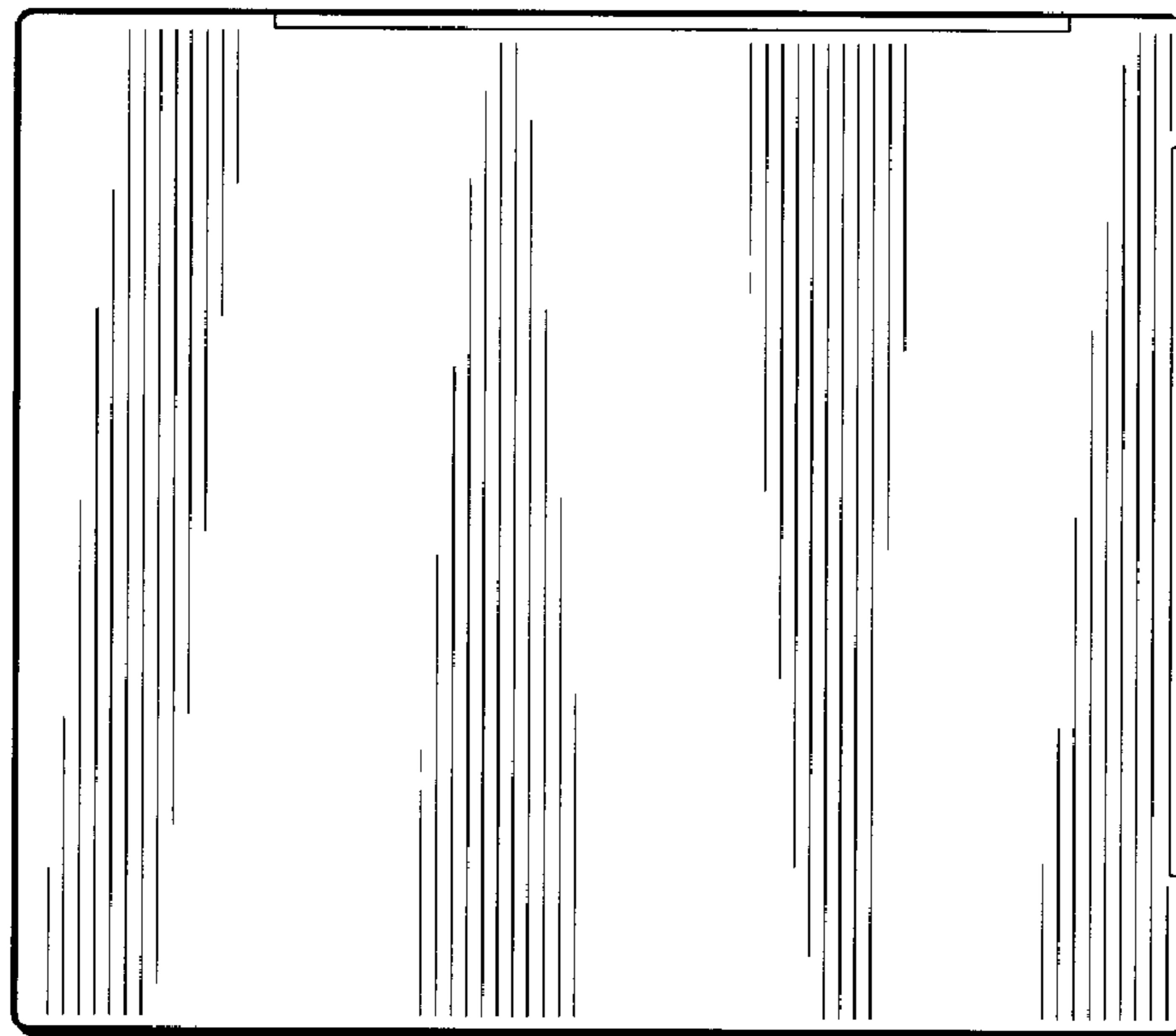


FIG. 5

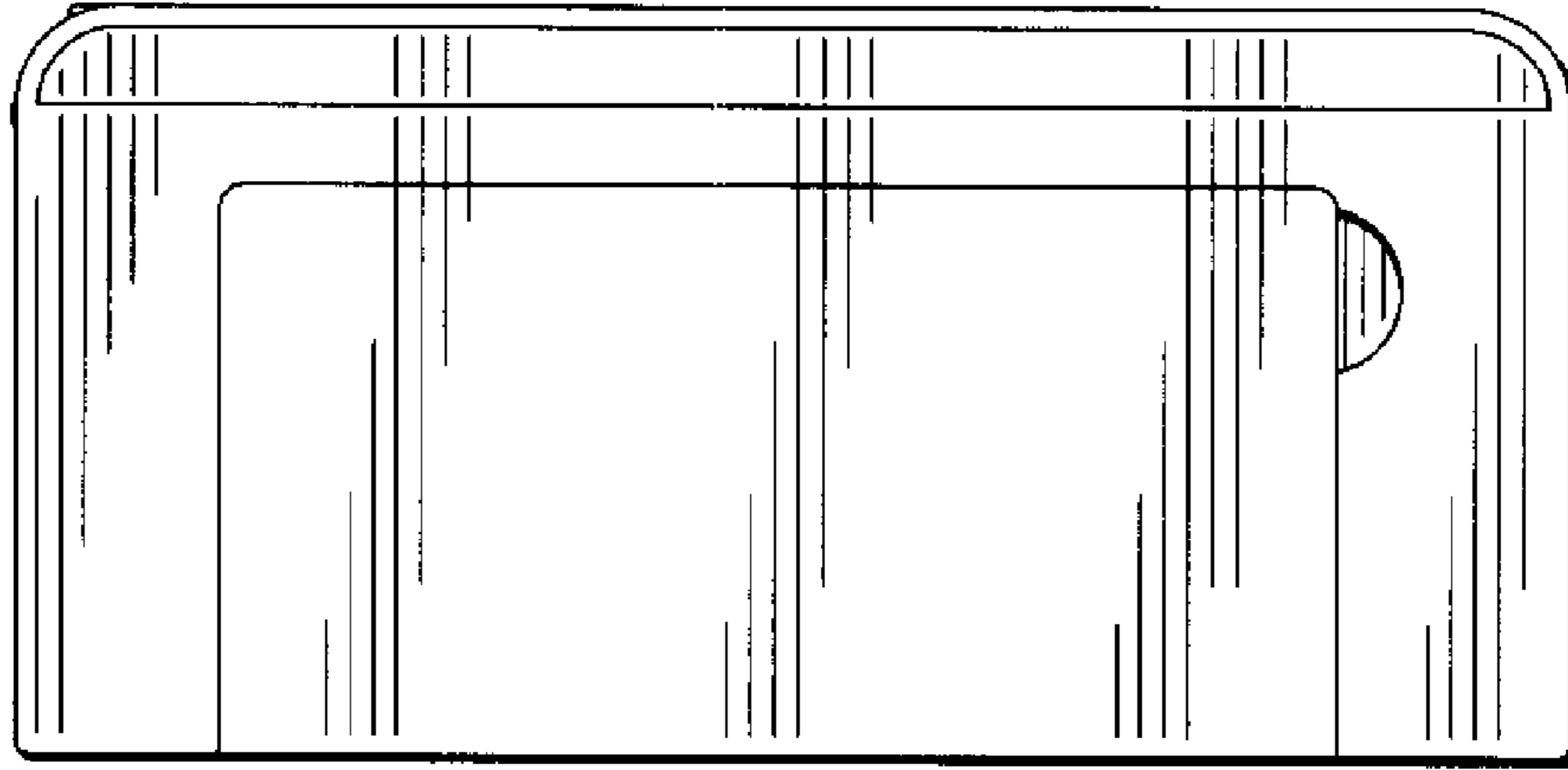


FIG. 6

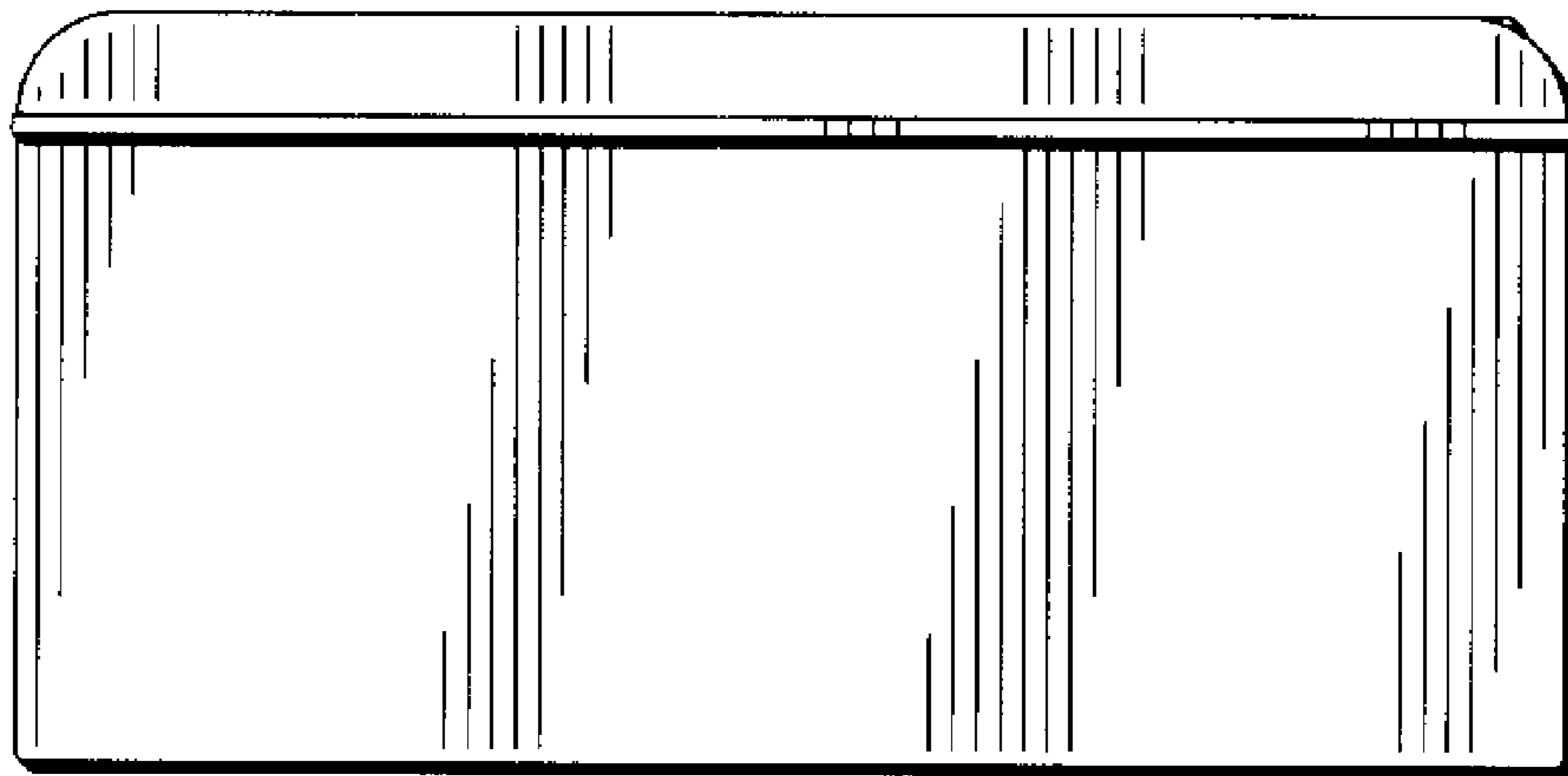


FIG. 7