



US00D519548S

(12) **United States Design Patent**
Bergström

(10) **Patent No.:** **US D519,548 S**

(45) **Date of Patent:** **** Apr. 25, 2006**

- (54) **TICKET PRINTER DISPLAY AND TERMINAL**
- (75) Inventor: **Per Bergström**, Göteborg (SE)
- (73) Assignee: **Q-Matic Sweden AB**, Molndal (SE)
- (**) Term: **14 Years**
- (21) Appl. No.: **29/192,730**
- (22) Filed: **Oct. 29, 2003**
- (51) **LOC (8) Cl.** **18-02**
- (52) **U.S. Cl.** **D18/50**
- (58) **Field of Classification Search** D18/50,
D18/56; D14/307, 371; D20/10; 211/26;
101/66, 67, 69, 70; D6/515; 221/255
See application file for complete search history.

(56) **References Cited**

U.S. PATENT DOCUMENTS

- D211,579 S * 7/1968 Cordes D14/307
- D340,049 S * 10/1993 Liljenwall et al. D14/371
- D352,057 S * 11/1994 Tashiro D18/50
- D364,639 S * 11/1995 Tashiro D18/50
- D378,534 S * 3/1997 Kato et al. D20/10
- D422,631 S * 4/2000 Toriyama et al. D18/50
- D430,199 S * 8/2000 Petteruti et al. D18/50
- D449,064 S * 10/2001 Saitoh et al. D18/50

- D479,555 S * 9/2003 Sakai D18/50
- 6,698,597 B1 * 3/2004 Marihugh 211/26
- D496,040 S * 9/2004 Jobs et al. D14/371
- D497,362 S * 10/2004 Wang et al. D14/371
- D497,940 S * 11/2004 Hwang et al. D18/50

FOREIGN PATENT DOCUMENTS

GB 2104489 * 8/2001

* cited by examiner

Primary Examiner—Charles A. Rademaker

(74) *Attorney, Agent, or Firm*—Orum & Roth LLC

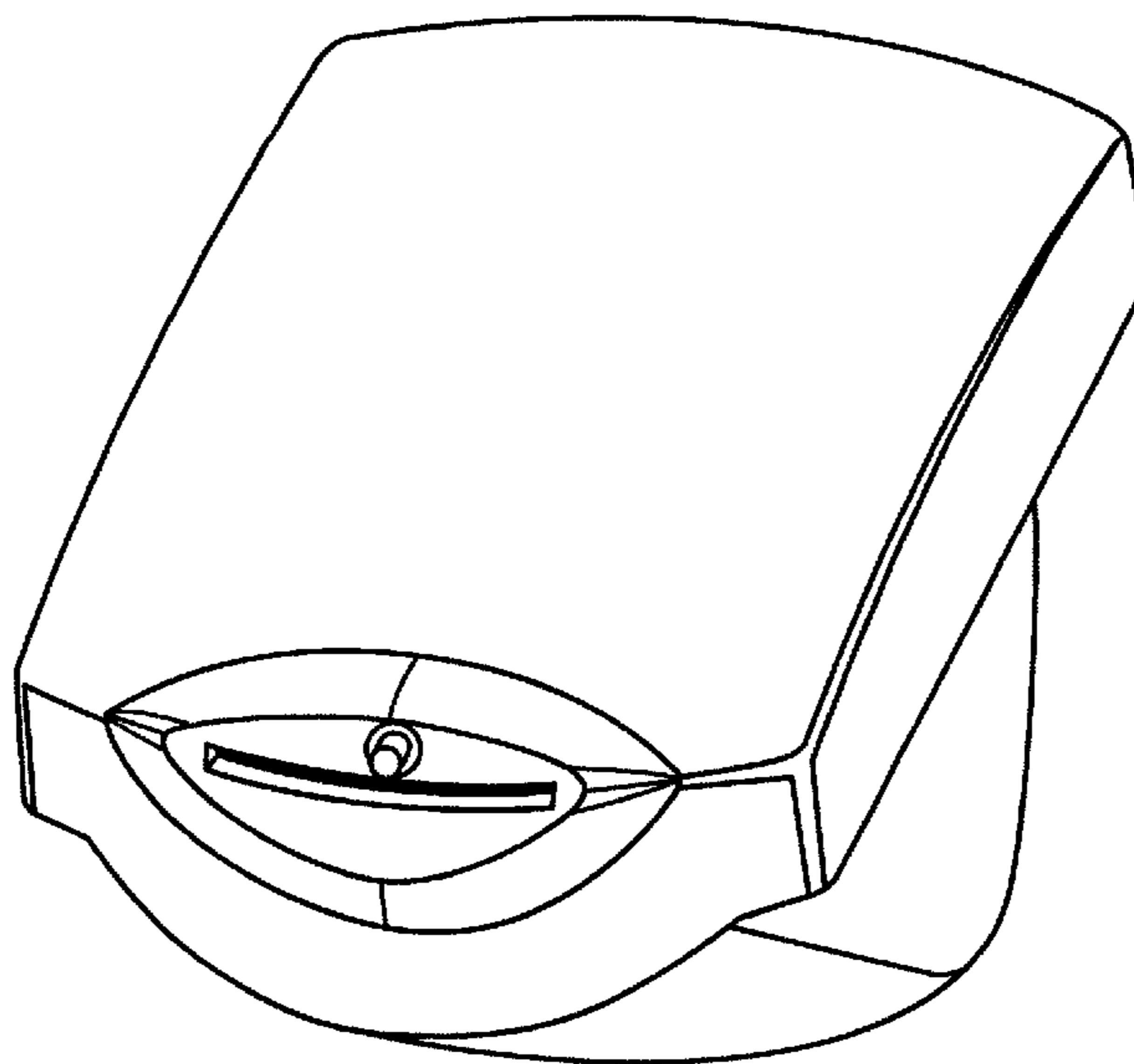
(57) **CLAIM**

We claim the ornamental design for ticket printer display and terminal, as shown and described.

DESCRIPTION

FIG. 1 is a front view of a ticket printer display and terminal;
 FIG. 2 is a perspective view of a ticket printer display and terminal;
 FIG. 3 is a bottom view of a ticket printer display and terminal;
 FIG. 4 is a back view of a ticket printer display and terminal;
 FIG. 5 is a side view if a ticket printer display and terminal;
 and,
 FIG. 6 is a top view of a ticket printer display and terminal.

1 Claim, 3 Drawing Sheets



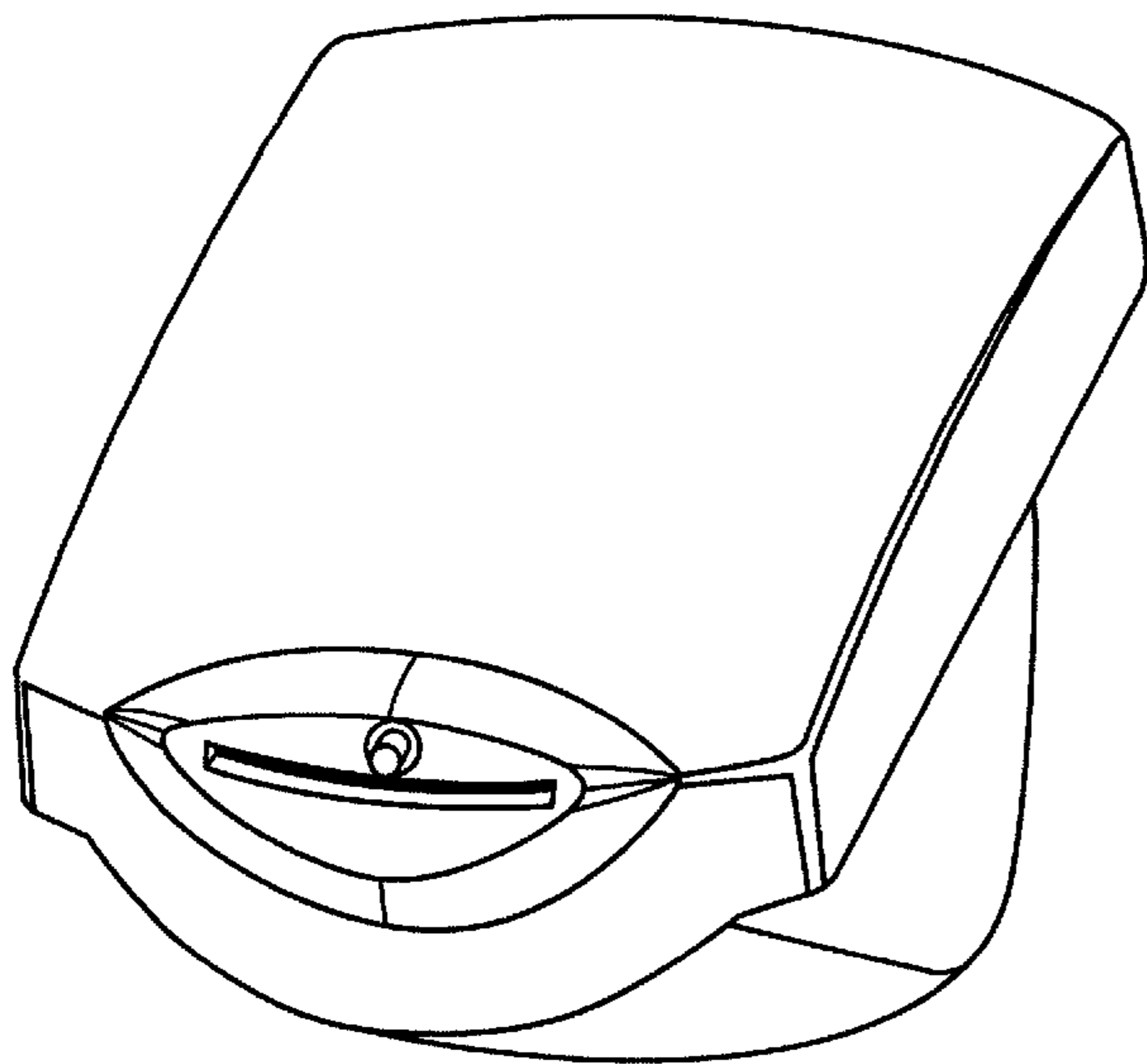


FIG. 1

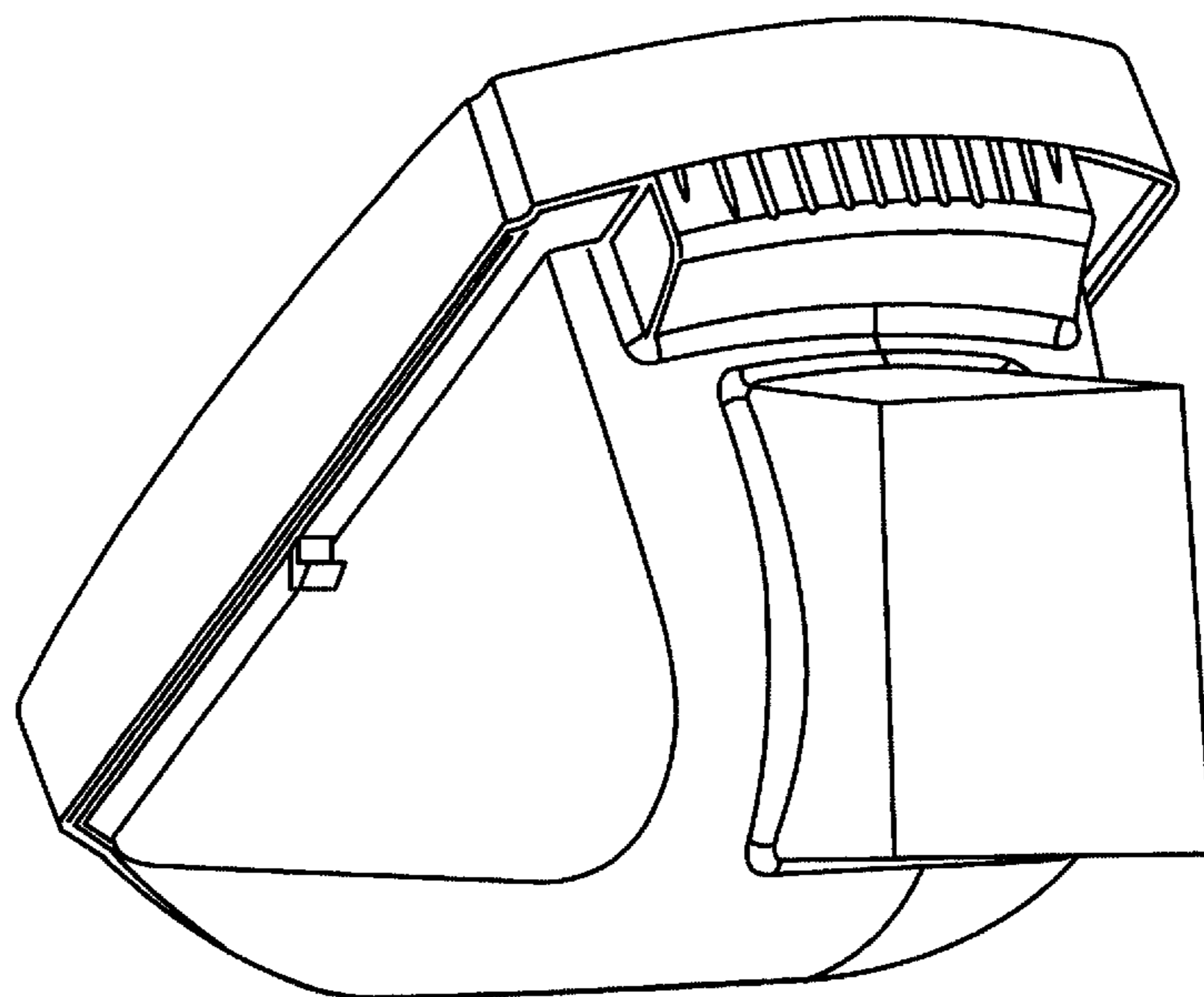


FIG. 2

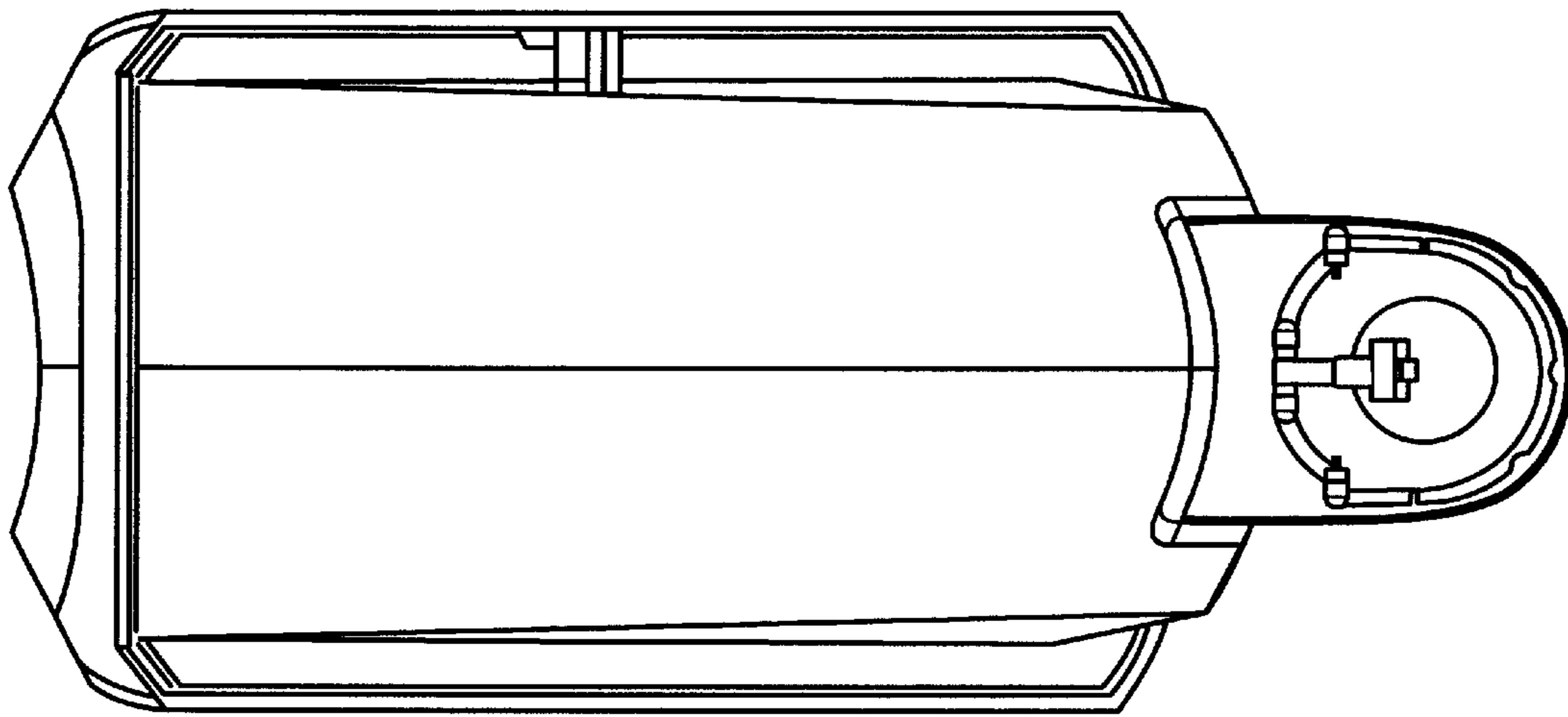


FIG. 3

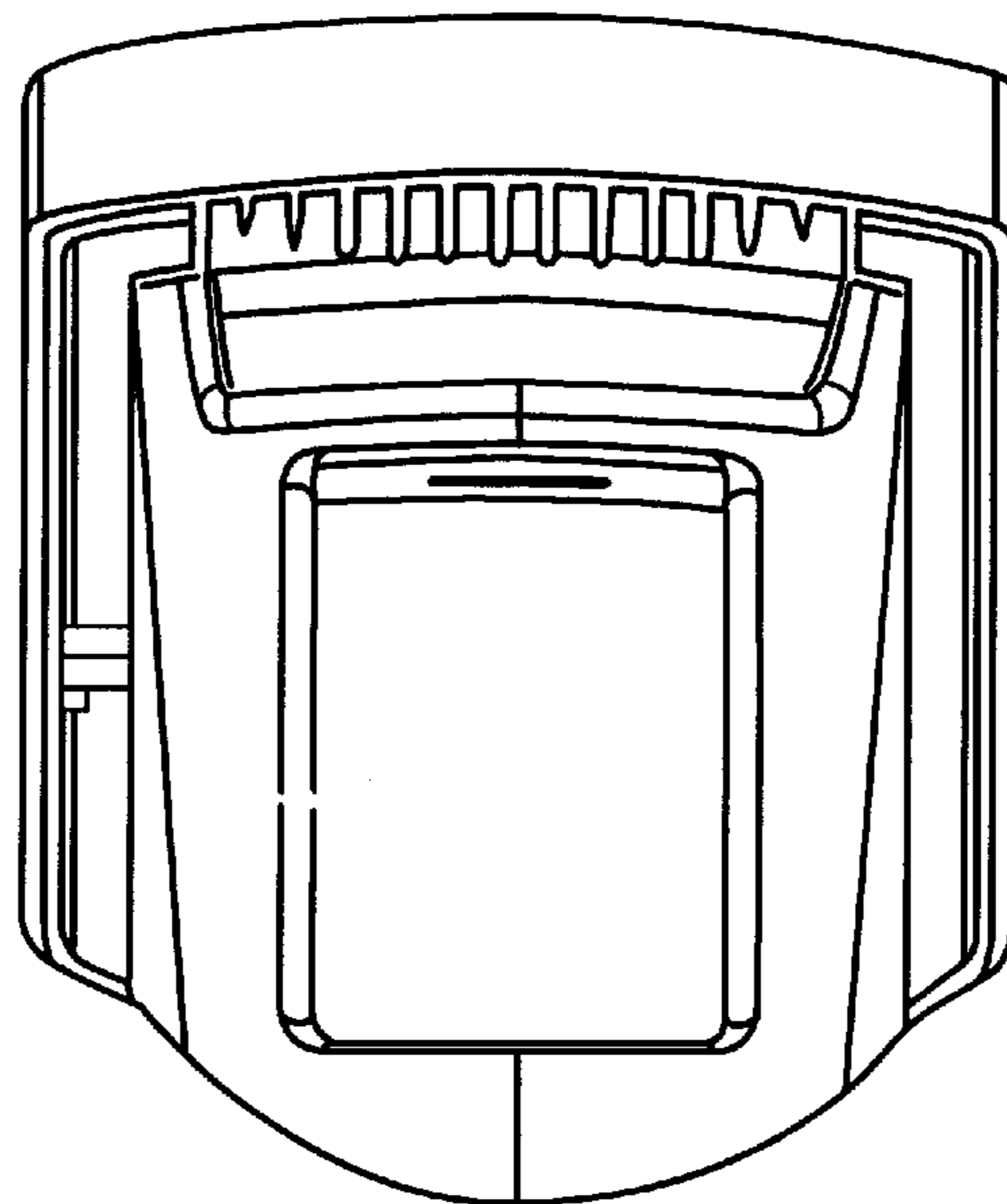


FIG. 4

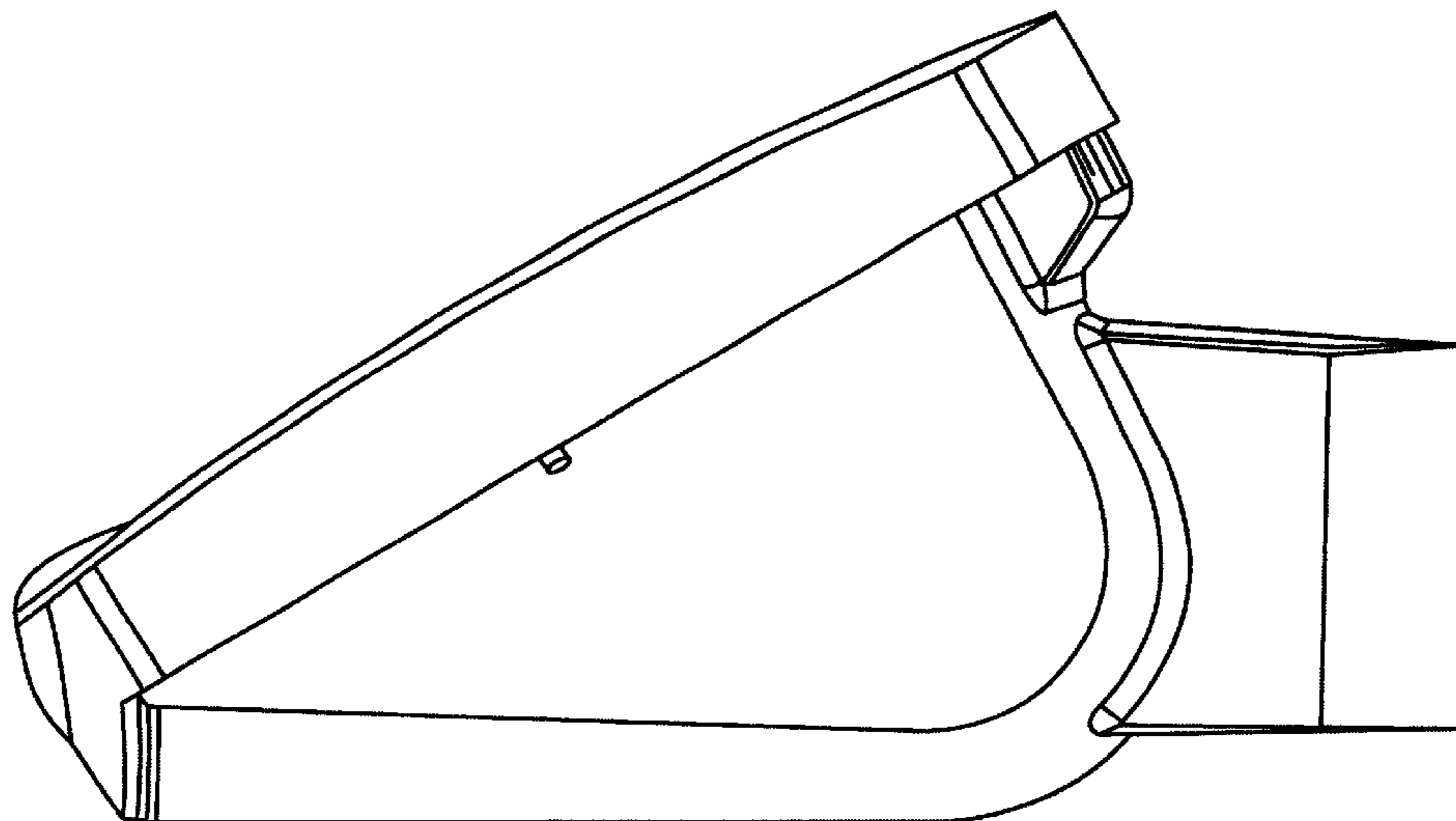


FIG. 5

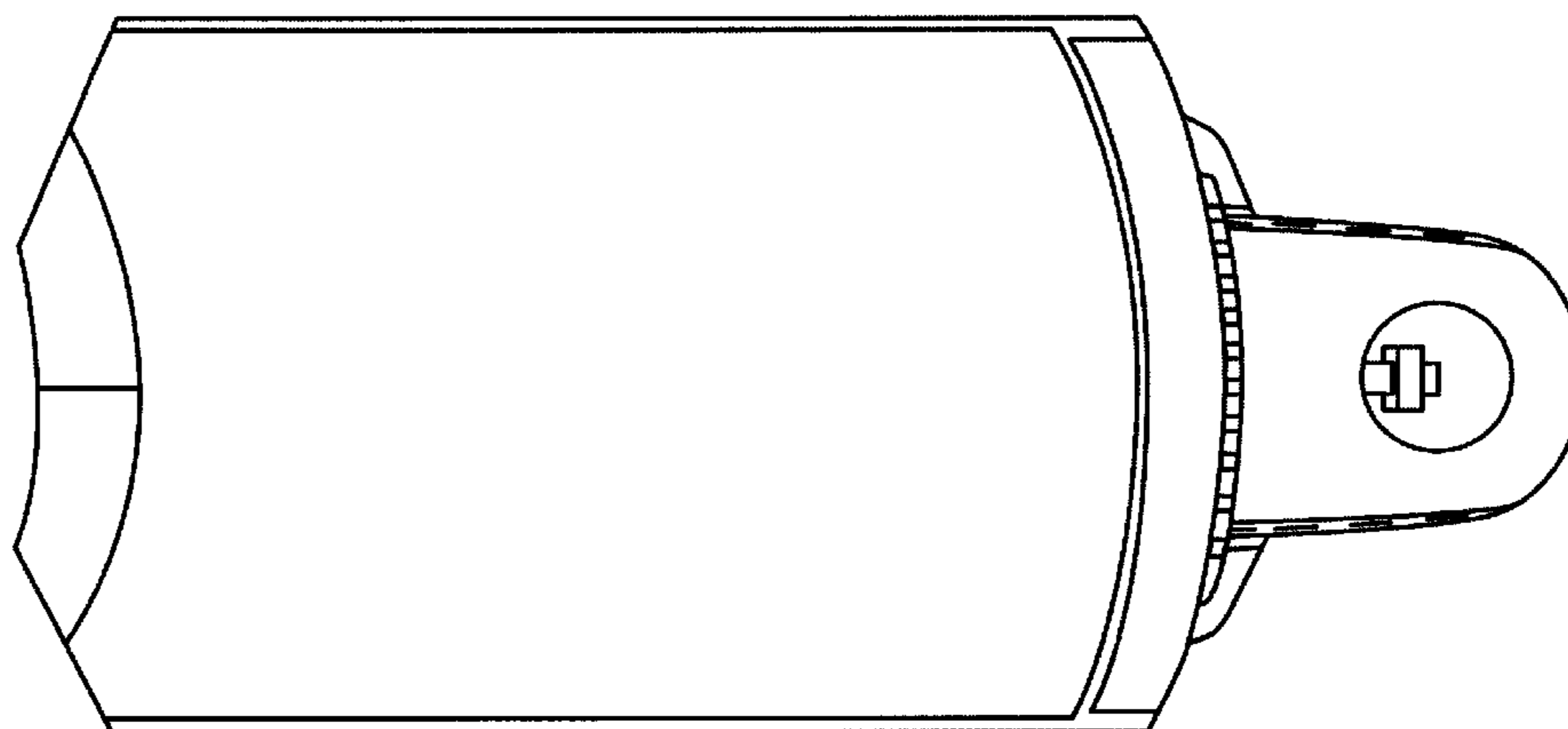


FIG. 6