



US00D519547S

(12) **United States Design Patent**
Kumar et al.

(10) **Patent No.:** **US D519,547 S**

(45) **Date of Patent:** **** Apr. 25, 2006**

(54) **DOCUMENT TRANSPORT**

(75) Inventors: **Jeya K. Kumar**, Coppel, TX (US);
Hongwei Sun, Coppel, TX (US); **Eric L. Johnson**, Lake Dallas, TX (US);
Rogelio Cabello, Dallas, TX (US);
Walter K. Logan, Lewisville, TX (US);
John H. Hassard, Flower Mound, TX (US); **Robert E. Thomas, Jr.**, Flower Mound, TX (US); **Marwan M. Azhari**, Eules, TX (US); **Dennis E. Hauser**, Red Oak, TX (US); **Jason D. Dunn**, Garland, TX (US); **Kenneth T. Lovelady**, Flower Mound, TX (US); **James H. Wicker**, Weatherford, TX (US); **James C. Yarrington**, Grand Prairie, TX (US); **Evan D. Samuel, III**, Fort Worth, TX (US)

(73) Assignee: **BancTec, Inc.**, Irving, TX (US)

(**) Term: **14 Years**

(21) Appl. No.: **29/214,711**

(22) Filed: **Oct. 8, 2004**

(51) **LOC (8) Cl.** **18-99**

(52) **U.S. Cl.** **D18/35.1**

(58) **Field of Classification Search** D18/50, D18/51, 35.1; D15/199-147; 101/5, 47, 49, 101/53; 235/375; 346/9-11, 76.1; 119/406-407
See application file for complete search history.

(56) **References Cited**

U.S. PATENT DOCUMENTS

4,494,655 A * 1/1985 Horii et al. D15/147

D300,747 S * 4/1989 Bain D15/199
D301,150 S * 5/1989 Bain D15/199
D309,472 S * 7/1990 Nishida D15/199
D327,257 S * 6/1992 Riess et al. D18/35.1
D327,906 S * 7/1992 Pike et al. D18/51
D332,105 S * 12/1992 Perry et al. D18/35.1
D398,335 S * 9/1998 Friedrich et al. D18/51

FOREIGN PATENT DOCUMENTS

GB 2005197 * 10/1990
GB 2009711 * 1/1991
GB 2095152 * 9/2000

* cited by examiner

Primary Examiner—Charles A. Rademaker

(74) *Attorney, Agent, or Firm*—Locke Liddell & Sapp LLP

(57) **CLAIM**

The ornamental design for a document transport, as shown and described.

DESCRIPTION

FIG. 1 is a front perspective view of our document transport;

FIG. 2 is a top plain view thereof;

FIG. 3 is a front elevational view thereof;

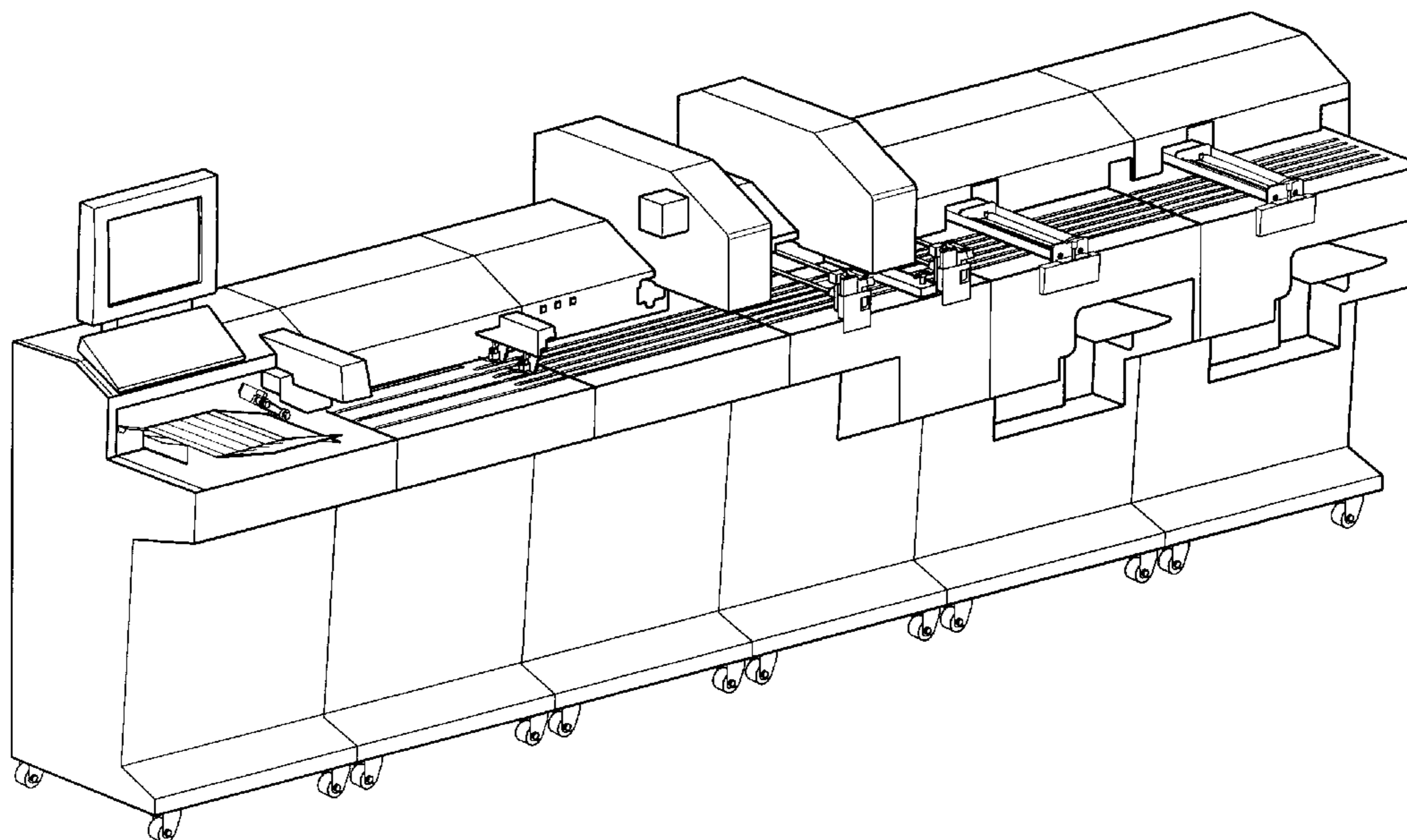
FIG. 4 is a bottom plan view thereof;

FIG. 5 is a rear elevational view thereof;

FIG. 6 is a left side elevational view thereof; and,

FIG. 7 is a right side elevational view thereof.

1 Claim, 4 Drawing Sheets



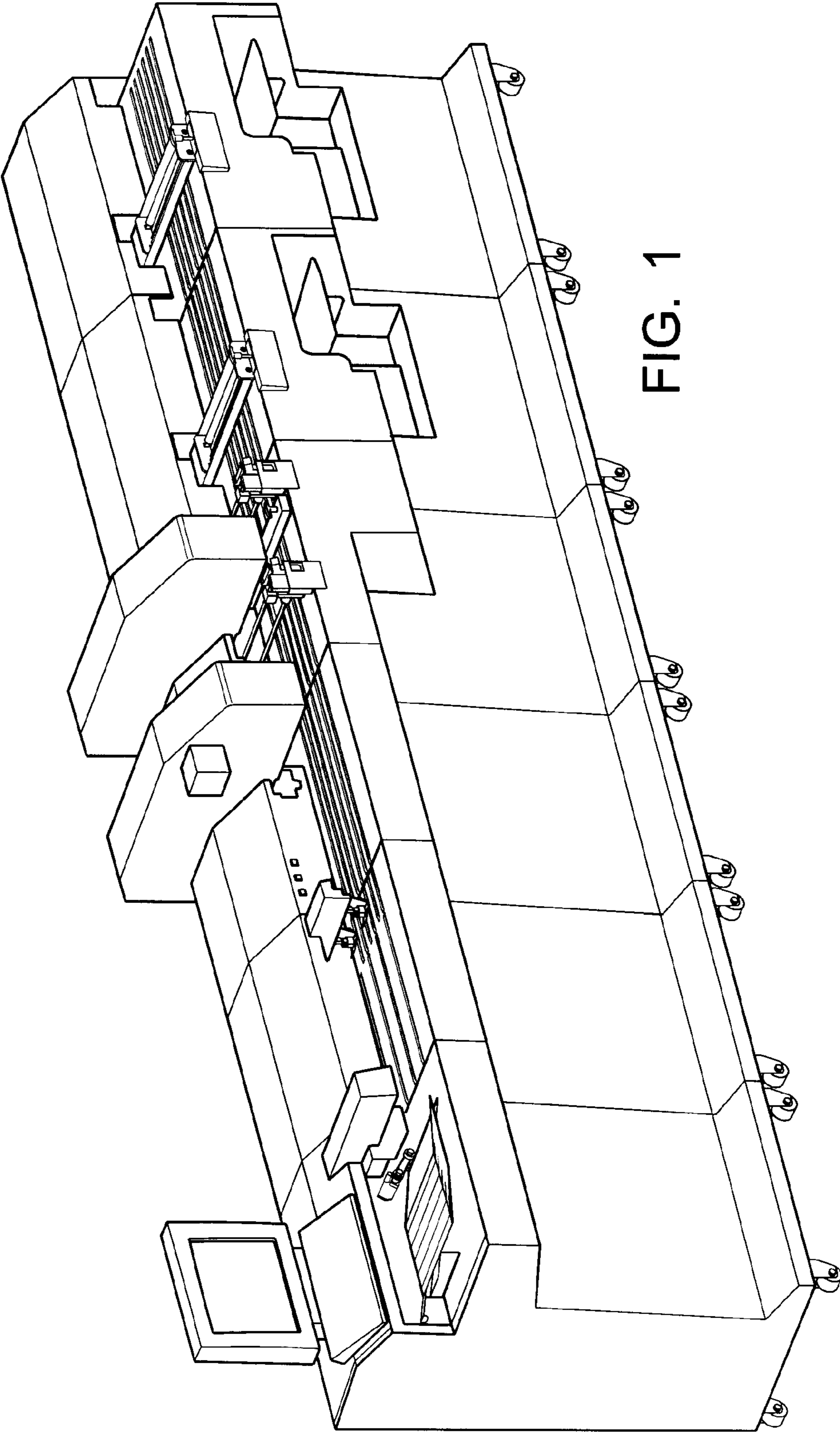


FIG. 1

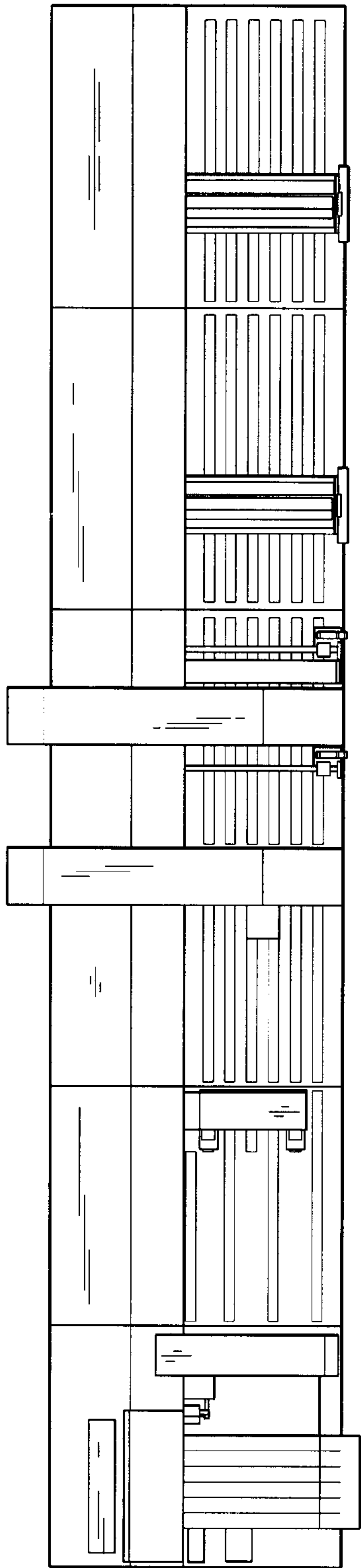


FIG. 2

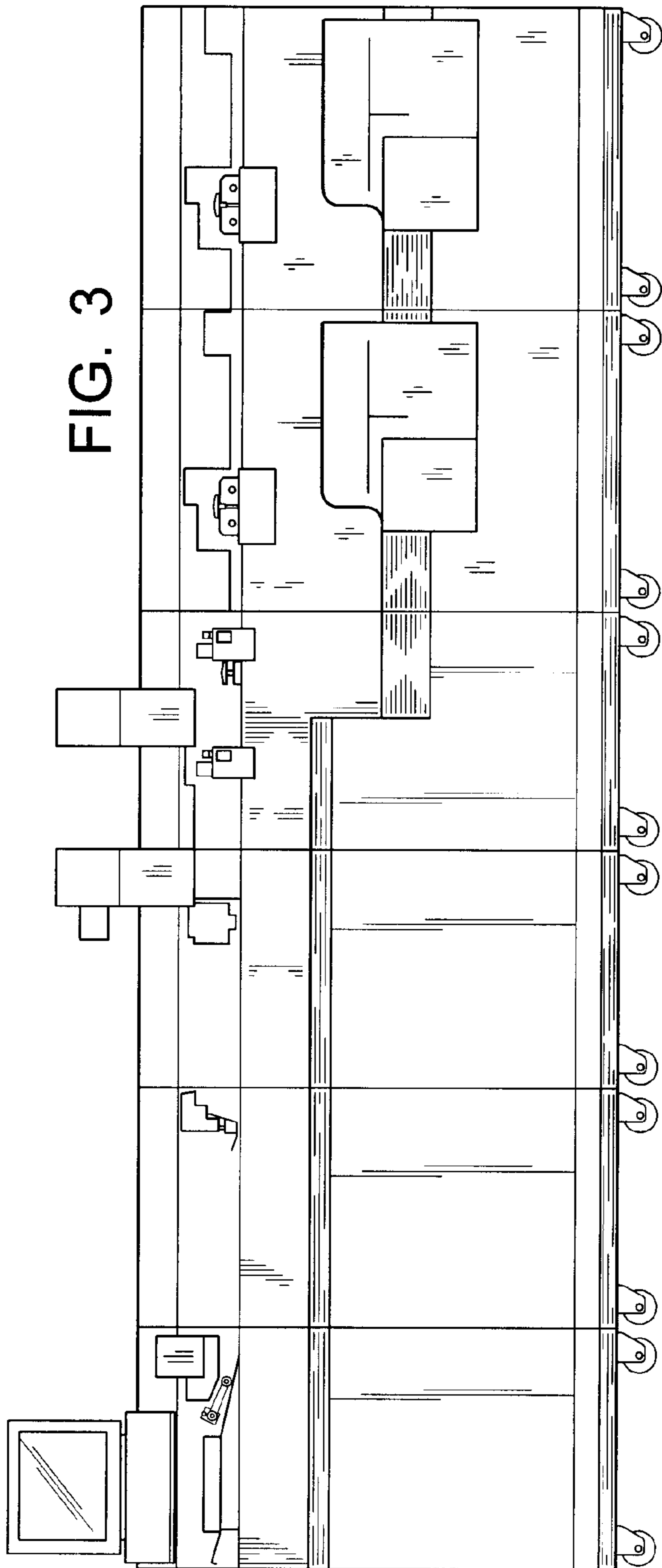


FIG. 3

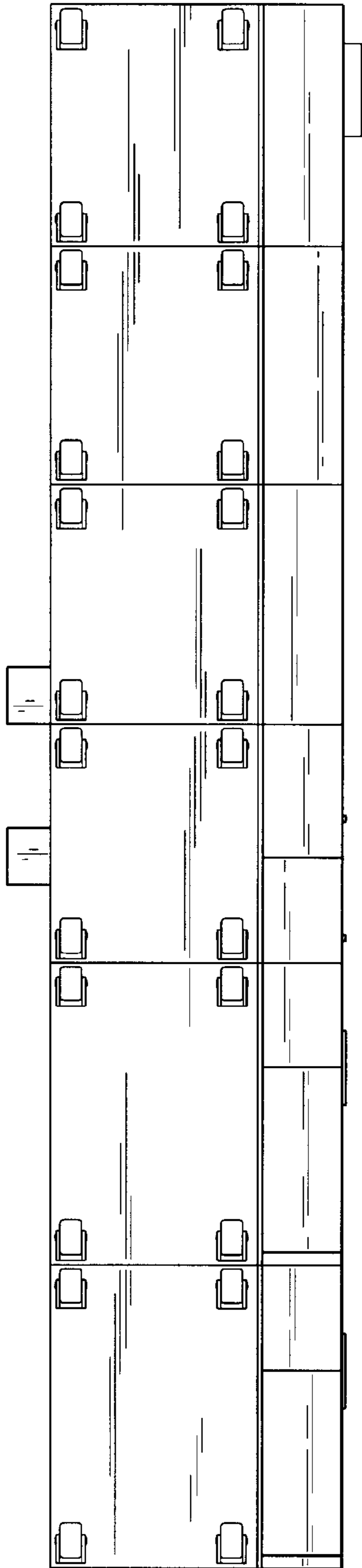


FIG. 4

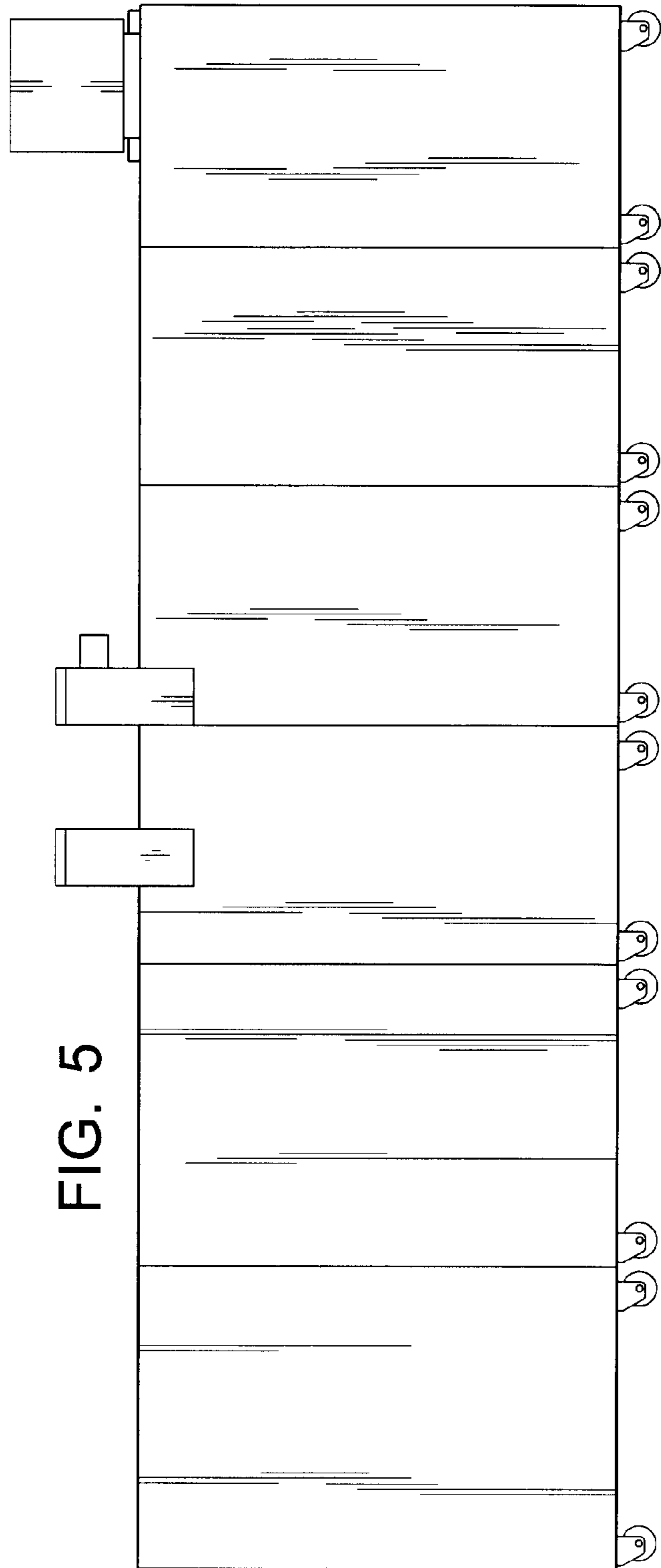


FIG. 5

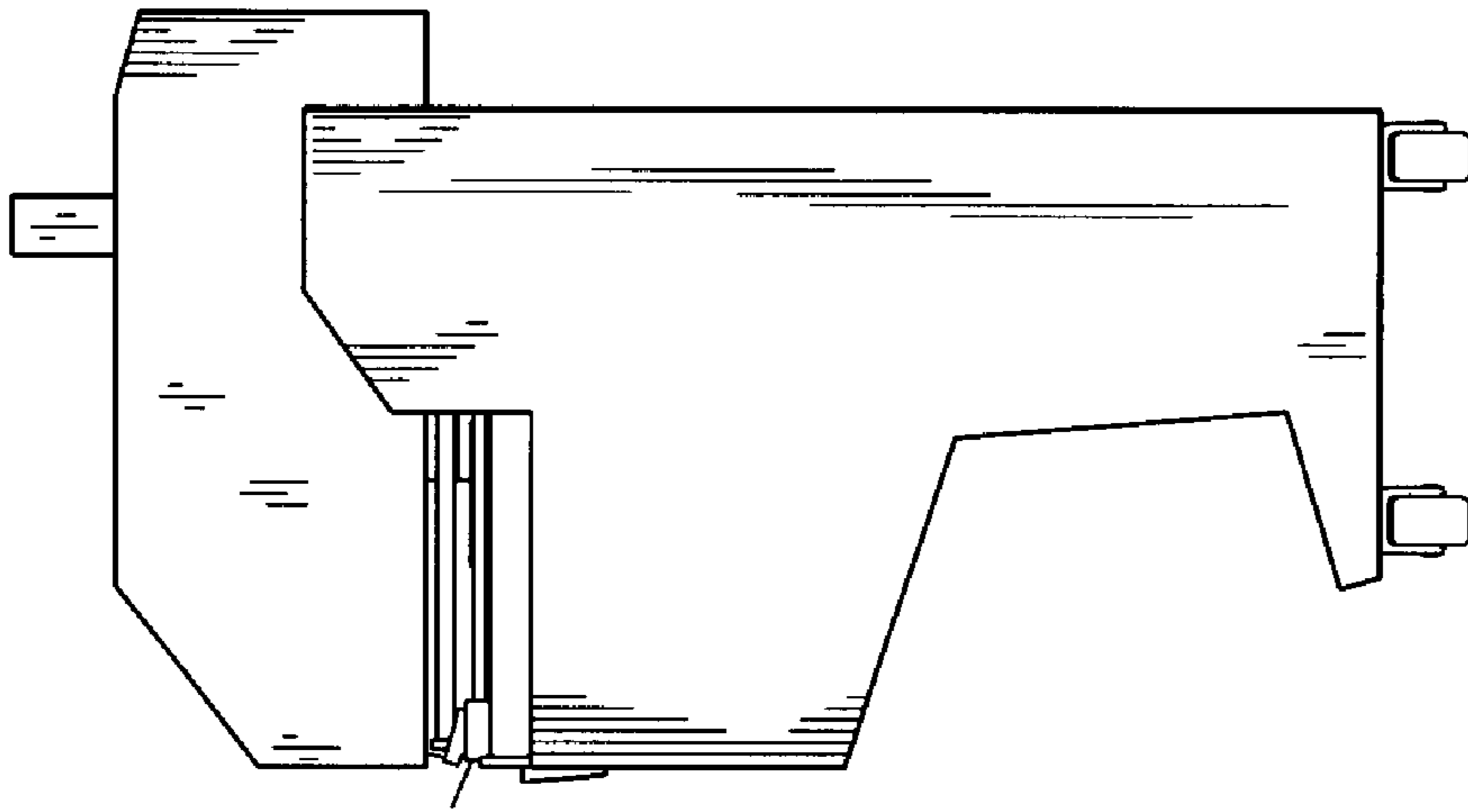


FIG. 7

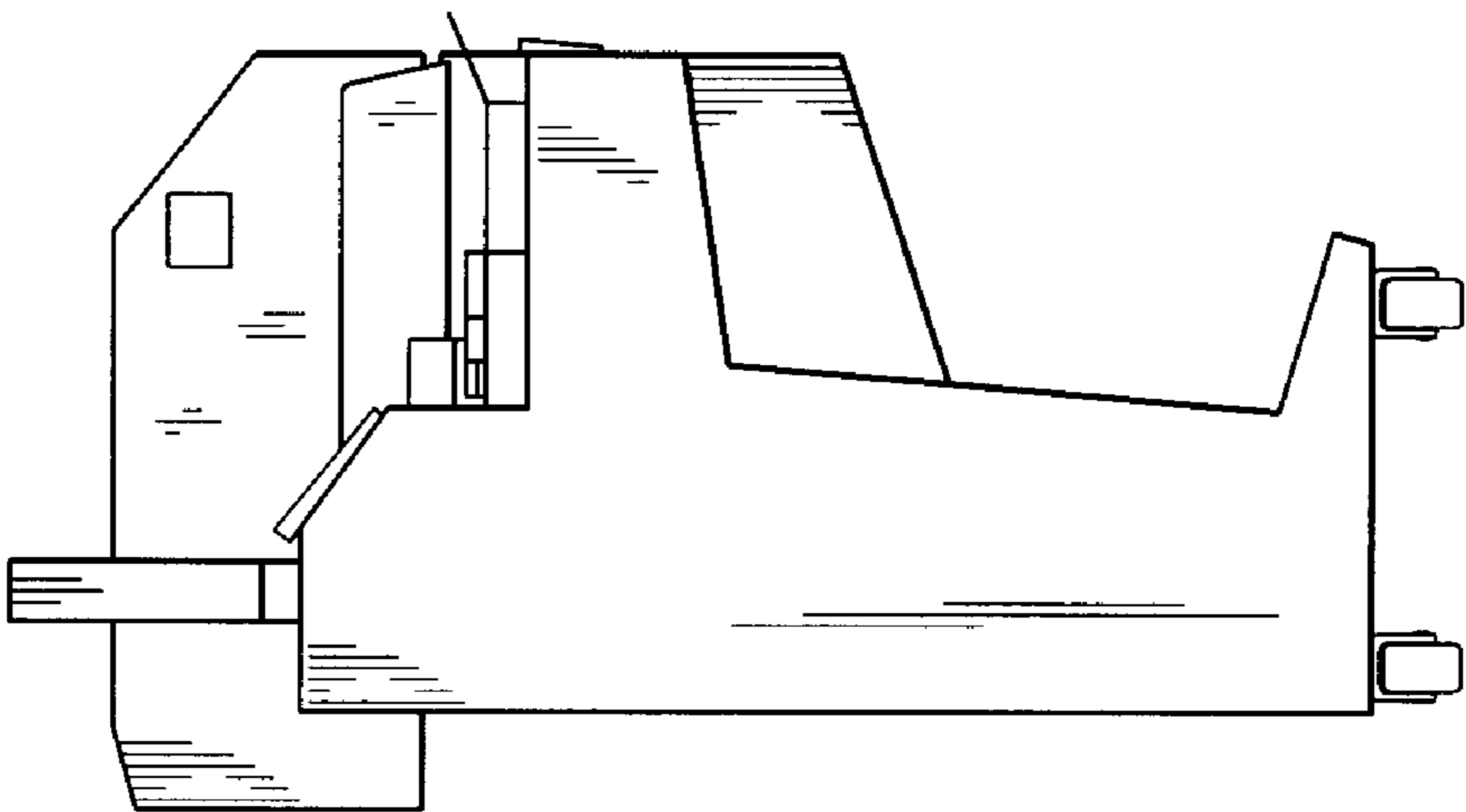


FIG. 6

UNITED STATES PATENT AND TRADEMARK OFFICE
Certificate

Patent No. D519,547 S

Patented: April 25, 2006

On petition requesting issuance of a certificate for correction of inventorship pursuant to 35 U.S.C. 256, it has been found that the above identified patent, through error and without any deceptive intent, improperly sets forth the inventorship.

Accordingly, it is hereby certified that the correct inventorship of this patent is: Jeya K. Kumar, Coppell, TX (US); Hongwei Sun, Coppell, TX (US); Eric L. Johnson, Lake Dallas, TX (US); Rogelio Cabello, Dallas, TX (US); Walter K. Logan, Lewisville, TX (US); John H. Hassard, Flower Mound, TX (US); Robert E. Thomas, Jr., Flower Mound, TX (US); Marwan M. Azhari, Euless, TX (US); Dennis E. Hauser, Red Oak, TX (US); Jason D. Dunn, Garland, TX (US); Kenneth T. Lovelady, Flower Mound, TX (US); James H. Wicker, Weatherford, TX (US); James C. Yarrington, Grand Prairie, TX (US); Evand D. Samuel, III, Fort Worth, TX (US); Mark Schneider, Berkeley Springs, WV (US); and Anthony Orchard, Dallas, TX (US).

Signed and Sealed this Seventh Day of October 2008.

IAN SIMMONS
Supervisory Patent Examiner
Art Unit 2916