



US00D519543S

(12) **United States Design Patent**  
**Walker et al.**

(10) **Patent No.:** **US D519,543 S**  
(45) **Date of Patent:** **\*\* Apr. 25, 2006**

(54) **EXPRESSION SHOE SUPPORT BRACKET**

(75) Inventors: **Robert A. Walker**, Zionsville, PA (US);  
**Kevin H. Light**, Myerstown, PA (US);  
**Scott J. Johnson**, Seattle, WA (US)

(73) Assignee: **Walker Technical Co., Inc.**, Zionsville, PA (US)

(\*\*) Term: **14 Years**

(21) Appl. No.: **29/191,305**

(22) Filed: **Oct. 3, 2003**

(51) **LOC (8) Cl.** ..... **17-01**

(52) **U.S. Cl.** ..... **D17/9; D8/354**

(58) **Field of Classification Search** ..... **D8/354,**  
**D8/373, 380, 395; D17/9, 99; 84/216, 225,**  
**84/226-229**

See application file for complete search history.

(56) **References Cited**

**U.S. PATENT DOCUMENTS**

D30,065 S	*	1/1899	Fisher	.....	D17/9
D33,394 S	*	10/1900	Gally	.....	D17/9
724,555 A	*	4/1903	Dierdorf	.....	84/227
D387,064 S	*	12/1997	Heine	.....	D8/380

\* cited by examiner

*Primary Examiner*—Adir Aronovich

(74) *Attorney, Agent, or Firm*—Edward J. Chalfie; Ladas & Parry LLP

(57) **CLAIM**

The ornamental design for an expression shoe support bracket, as shown and described.

**DESCRIPTION**

FIG. 1 is a perspective view of an expression shoe support bracket showing our new design;

FIG. 2 is a left side elevational view of the expression shoe support bracket shown in FIG. 1;

FIG. 3 is a right side elevational view of the expression shoe support bracket shown in FIG. 1;

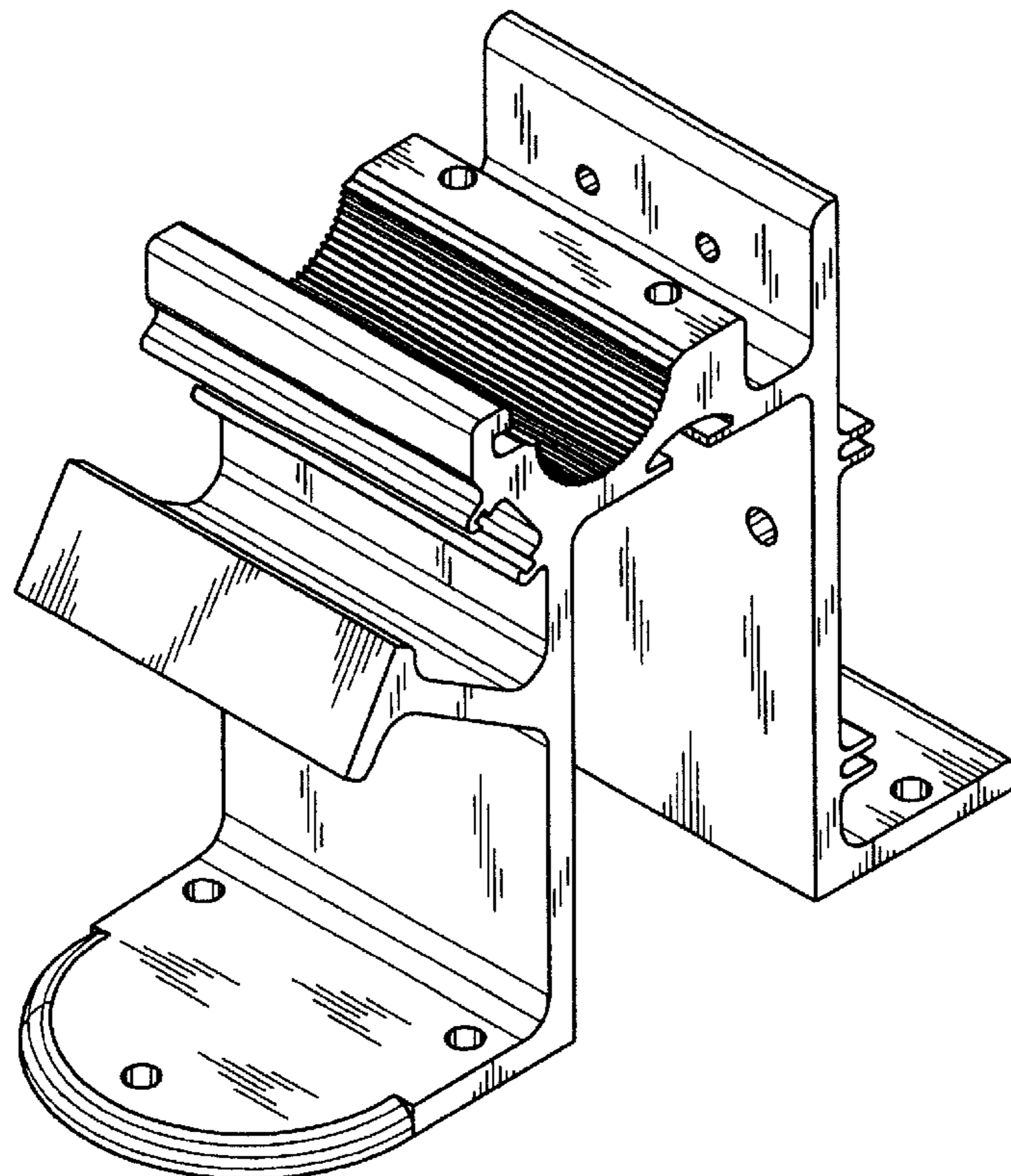
FIG. 4 is a rear elevational view of the expression shoe support bracket shown in FIG. 1;

FIG. 5 is a front elevational view of the expression shoe support bracket shown in FIG. 1;

FIG. 6 is a top plan view of the expression shoe support bracket shown in FIG. 1; and,

FIG. 7 is a bottom plan view of the expression shoe support bracket shown in FIG. 1.

**1 Claim, 6 Drawing Sheets**



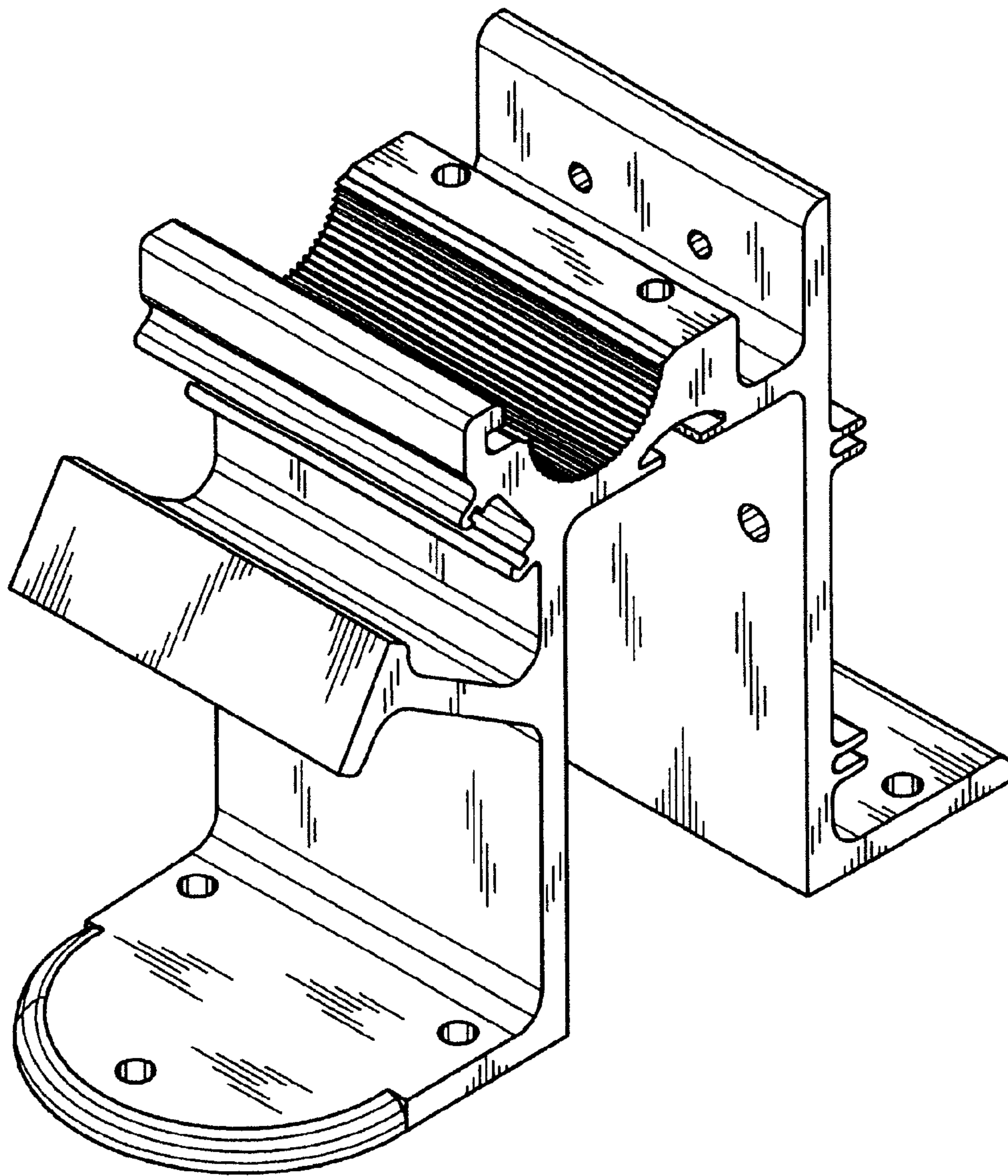


FIG. 1

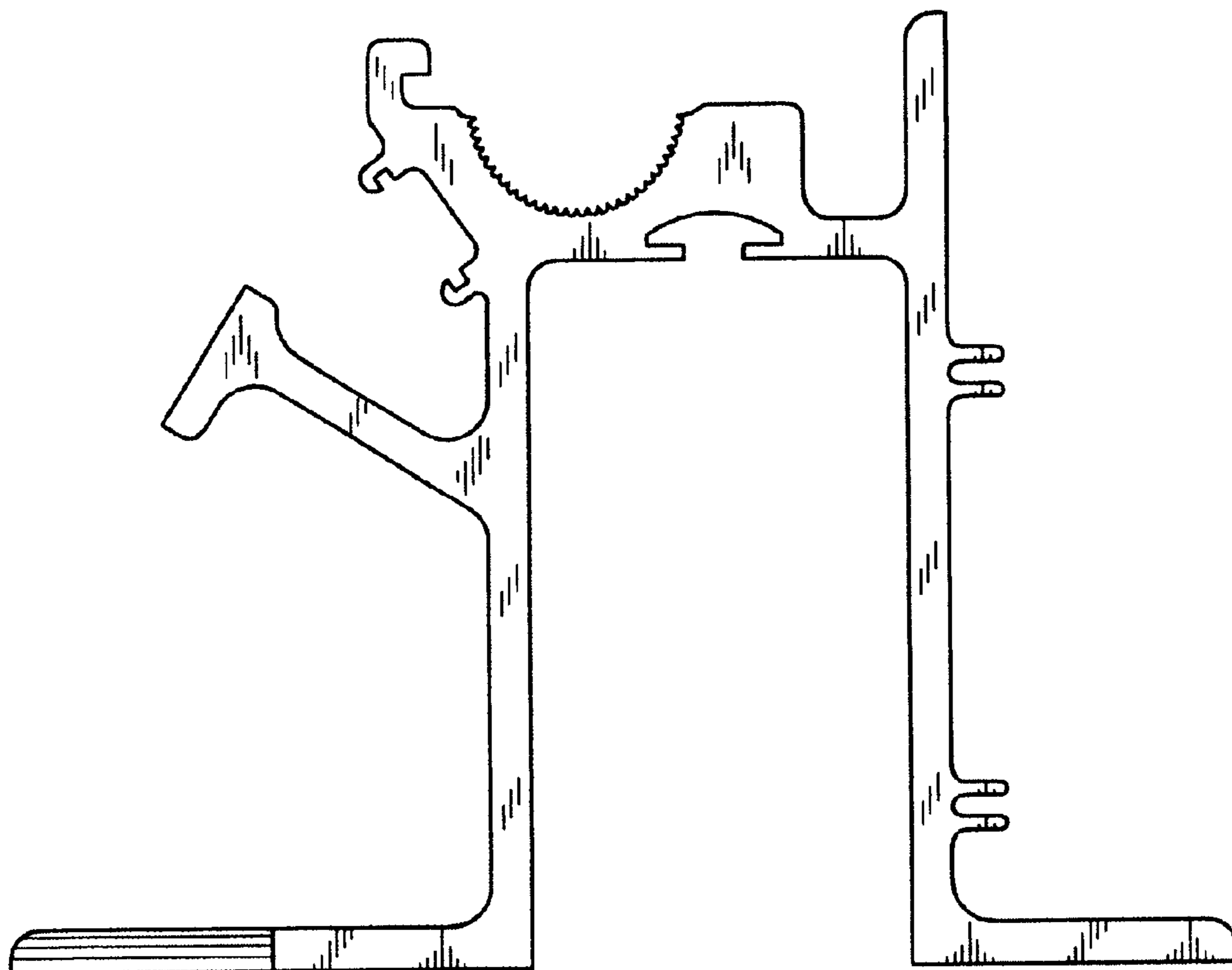


FIG. 2

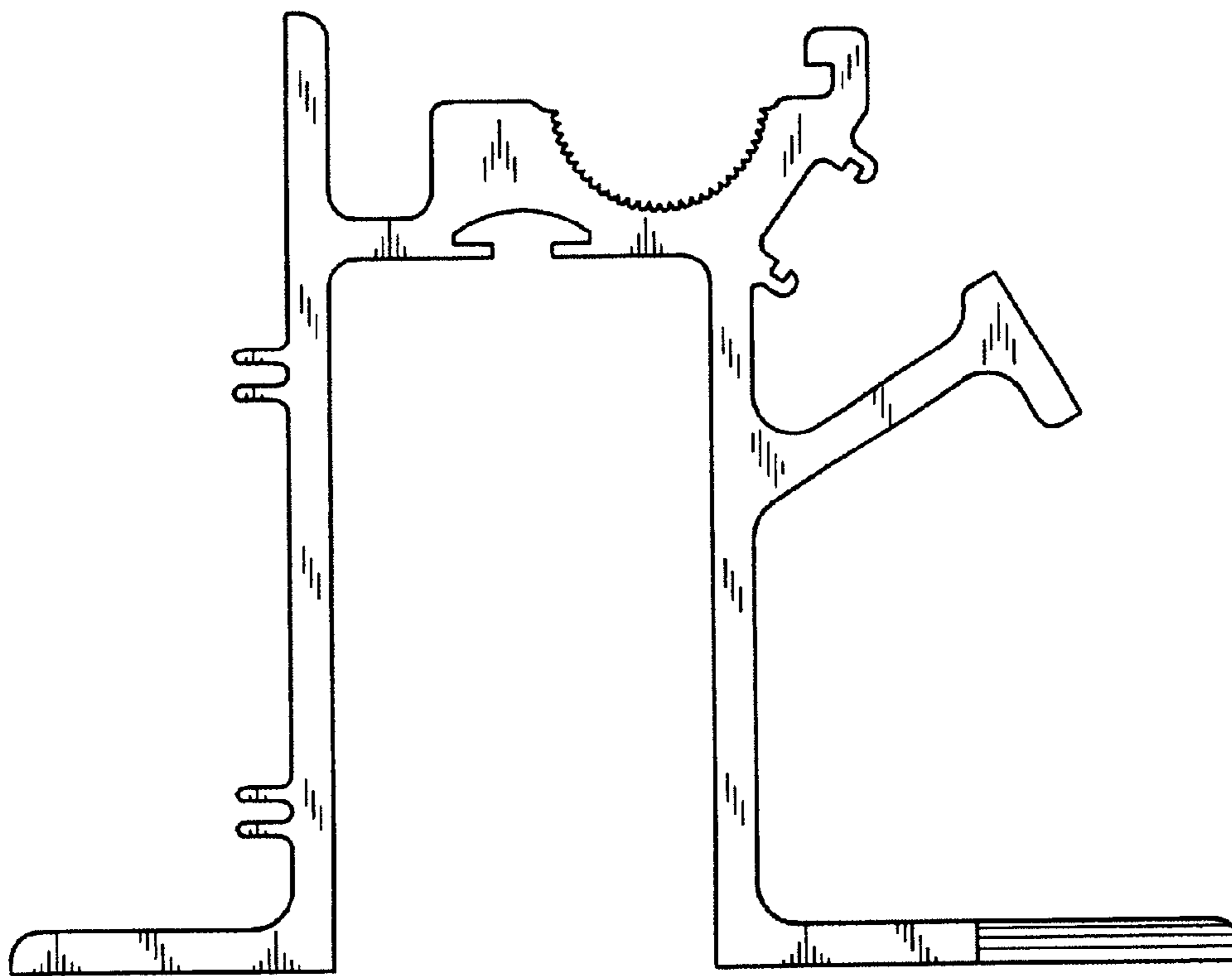
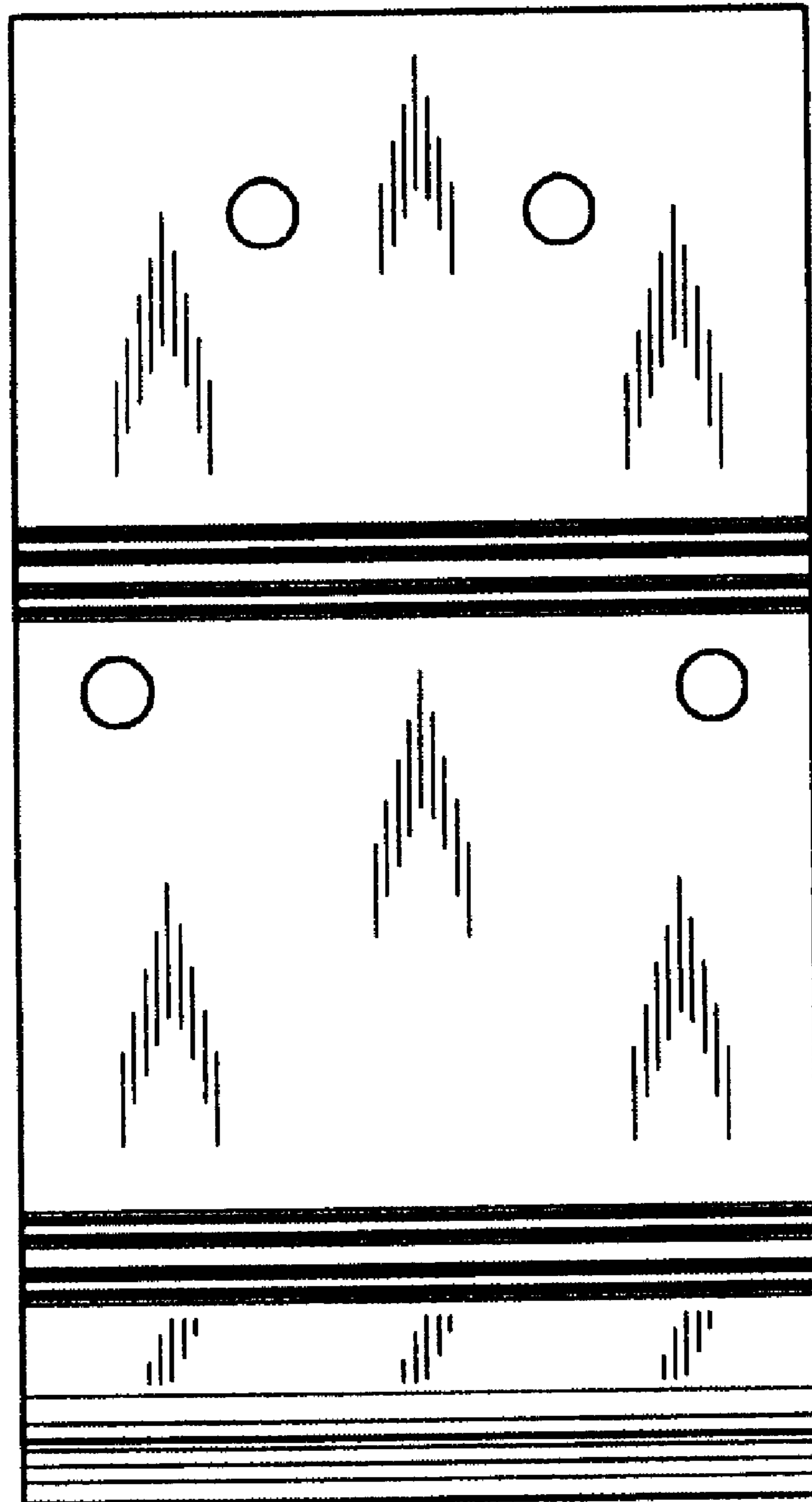
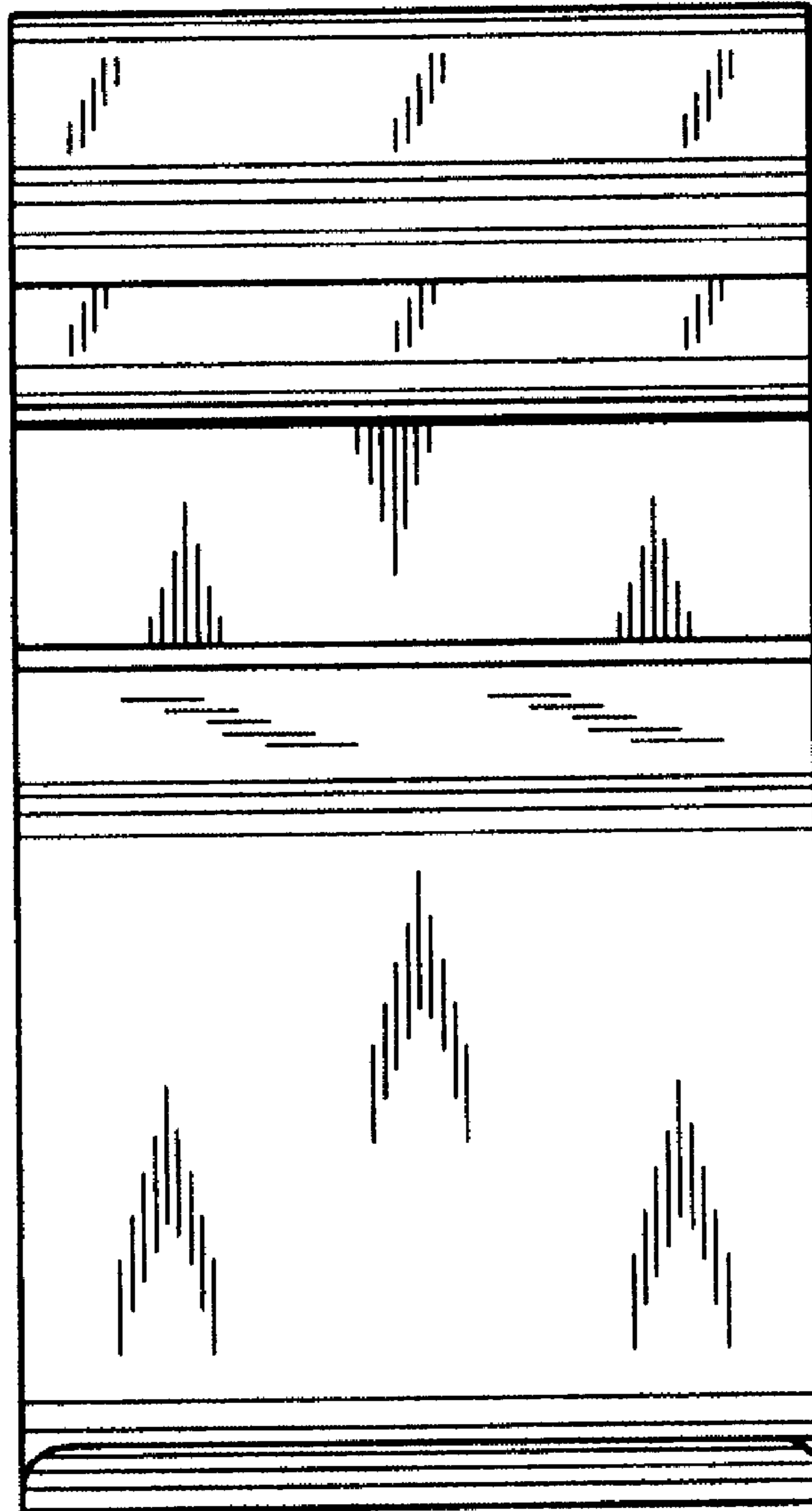


FIG. 3



*FIG. 4*



*FIG. 5*



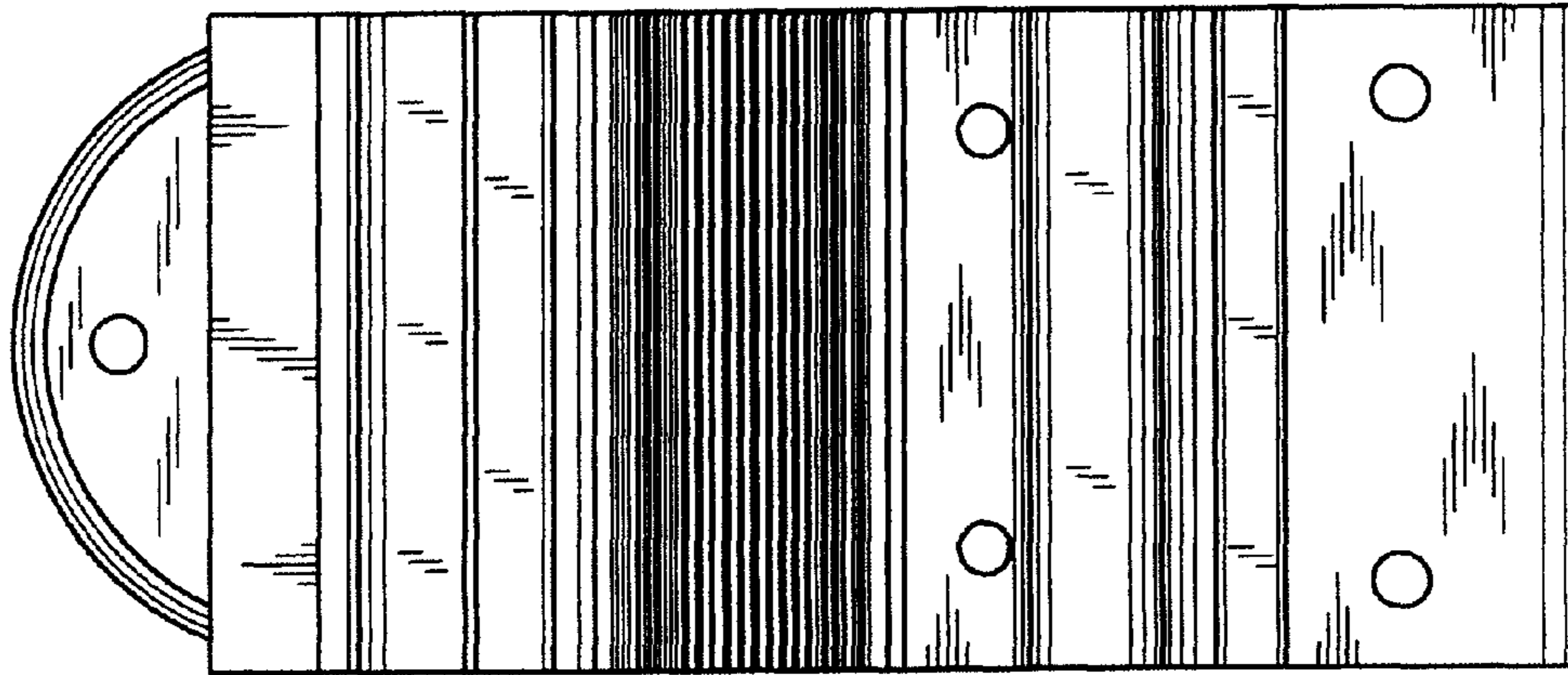


FIG. 6

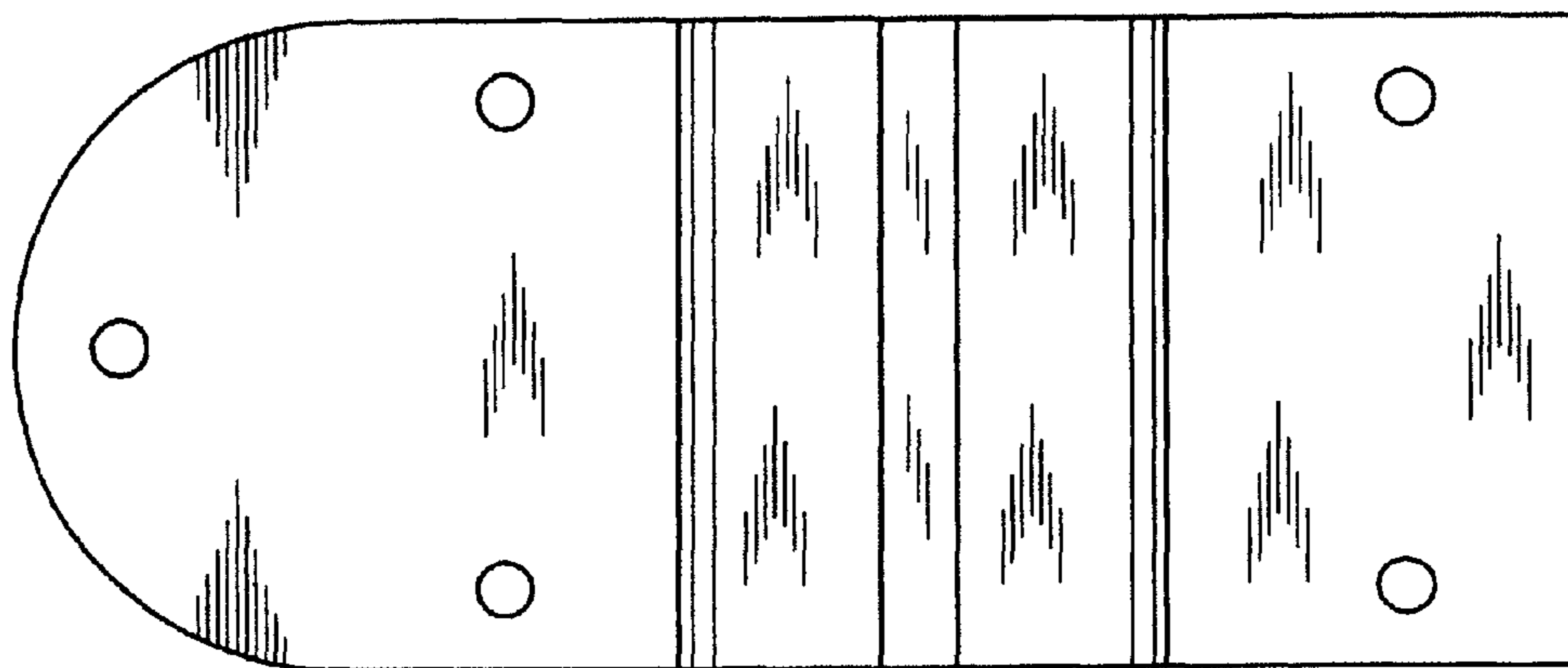


FIG. 7