



US00D519540S

(12) **United States Design Patent**
Naruke

(10) **Patent No.:** **US D519,540 S**

(45) **Date of Patent:** **** Apr. 25, 2006**

(54) **TV CAMERA**

(75) **Inventor:** **Fumio Naruke, Tokyo (JP)**

(73) **Assignee:** **Nisca Corporation, Yamanashi-ken (JP)**

(**) **Term:** **14 Years**

(21) **Appl. No.:** **29/200,456**

(22) **Filed:** **Mar. 1, 2004**

(30) **Foreign Application Priority Data**

Oct. 28, 2003 (JP) 2003-031701
Oct. 28, 2003 (JP) 2003-031704

(51) **LOC (8) Cl.** **16-01**

(52) **U.S. Cl.** **D16/203**

(58) **Field of Classification Search** D16/200–205,
D16/208, 218; 348/143, 151, 373–376; 358/906,
358/909.1; 396/427, 535, 536–541
See application file for complete search history.

(56) **References Cited**

U.S. PATENT DOCUMENTS

D339,365 S * 9/1993 Urcuilio D16/203

6,357,936 B1 * 3/2002 Elberbaum 396/427
D486,847 S * 2/2004 Uehara D16/203
D491,968 S * 6/2004 Isshiki D16/203
D494,204 S * 8/2004 Naruke D16/203
D501,495 S * 2/2005 Stock D16/203
D504,904 S * 5/2005 Nagai et al. D16/203

* cited by examiner

Primary Examiner—Adir Aronovich

(74) *Attorney, Agent, or Firm*—Manabu Kanesaka

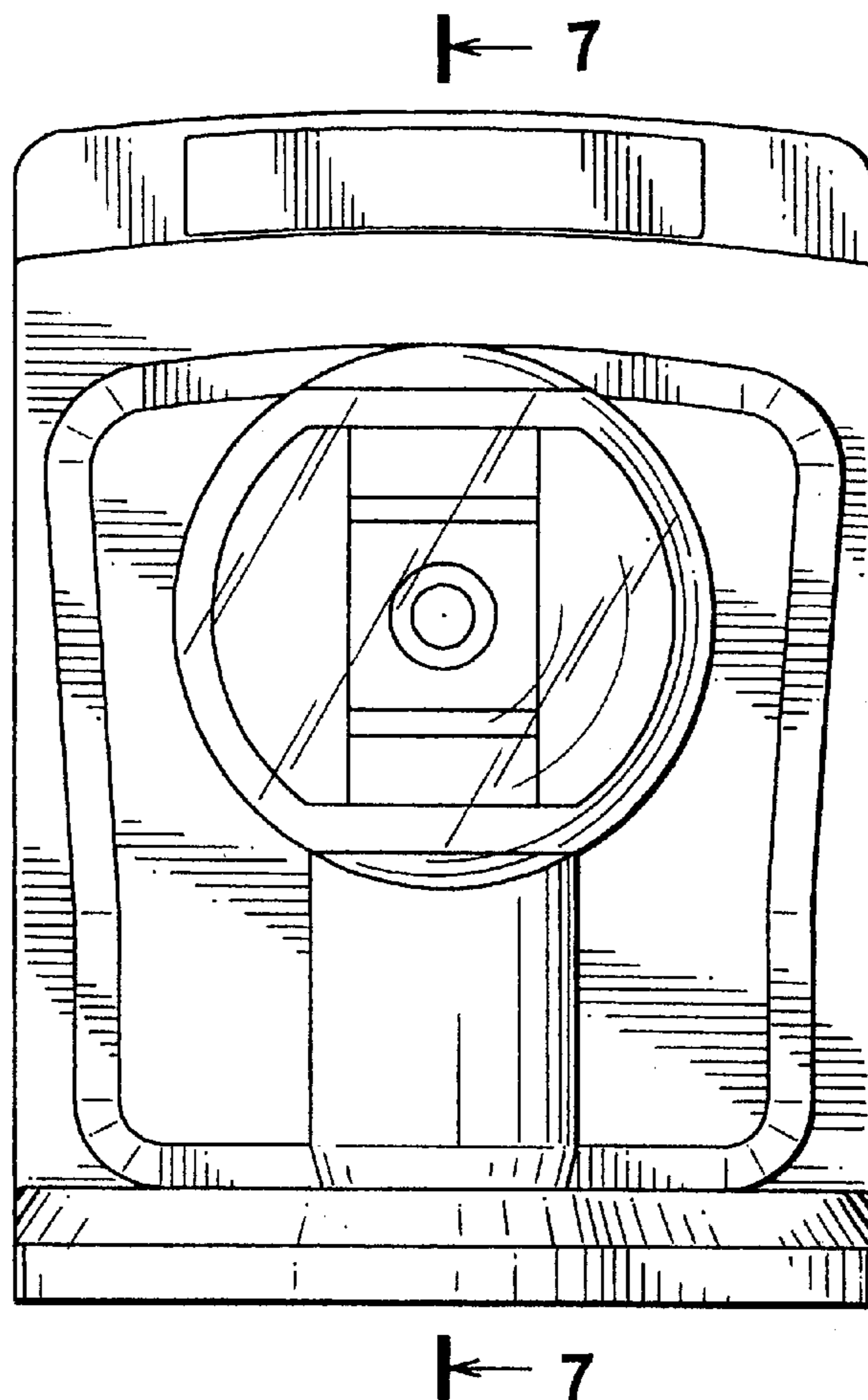
(57) **CLAIM**

The ornamental design for a TV camera, as shown and described.

DESCRIPTION

FIG. 1 is a front elevational view of a TV camera showing my new design;
FIG. 2 is a rear elevational view thereof;
FIG. 3 is a right side view thereof;
FIG. 4 is a left side view thereof;
FIG. 5 is a top plan view;
FIG. 6 is a bottom plan view; and,
FIG. 7 is a sectional view taken along line 7—7 in FIG. 7.

1 Claim, 7 Drawing Sheets



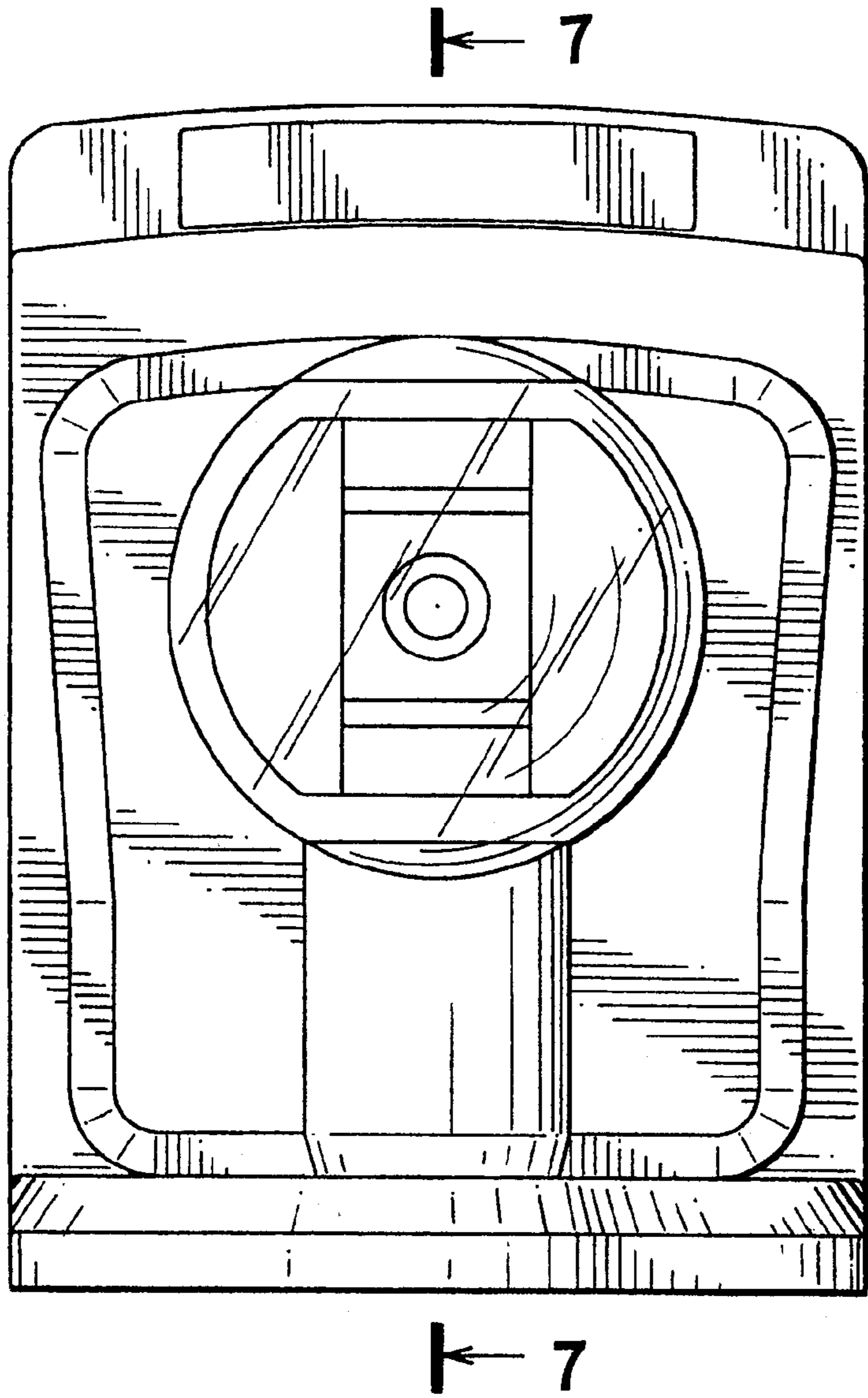


Fig. 1

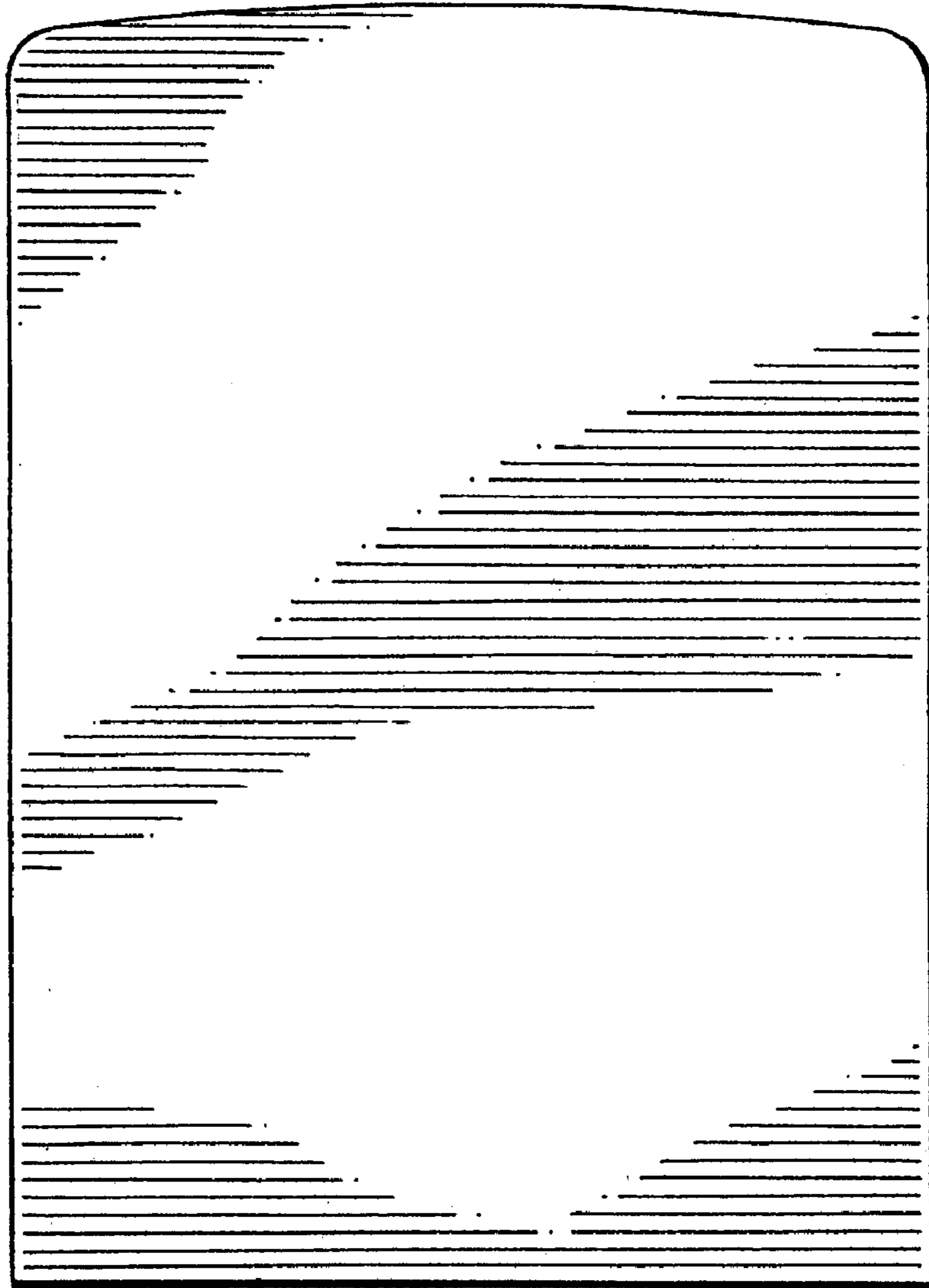


Fig. 2

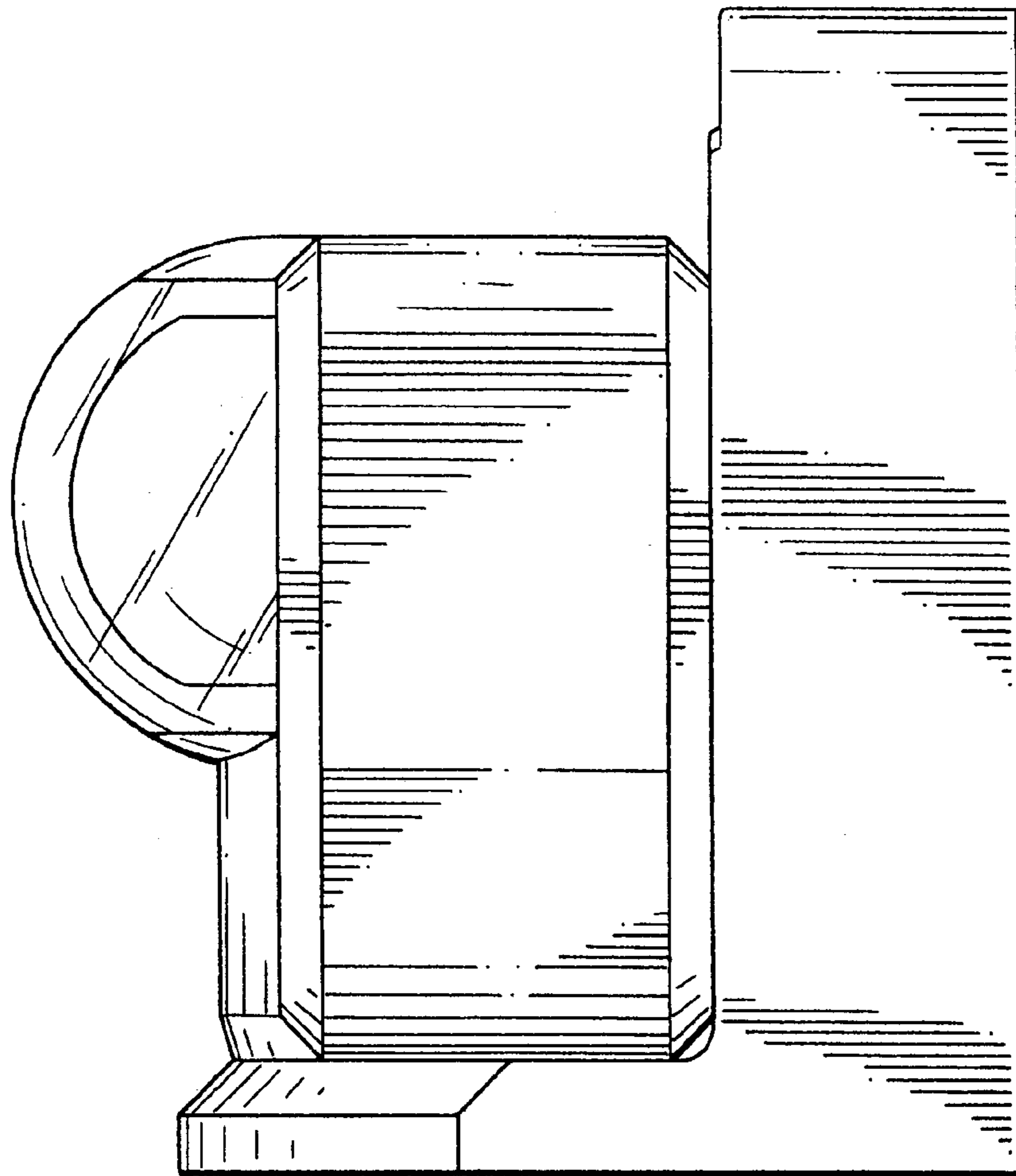


Fig. 3

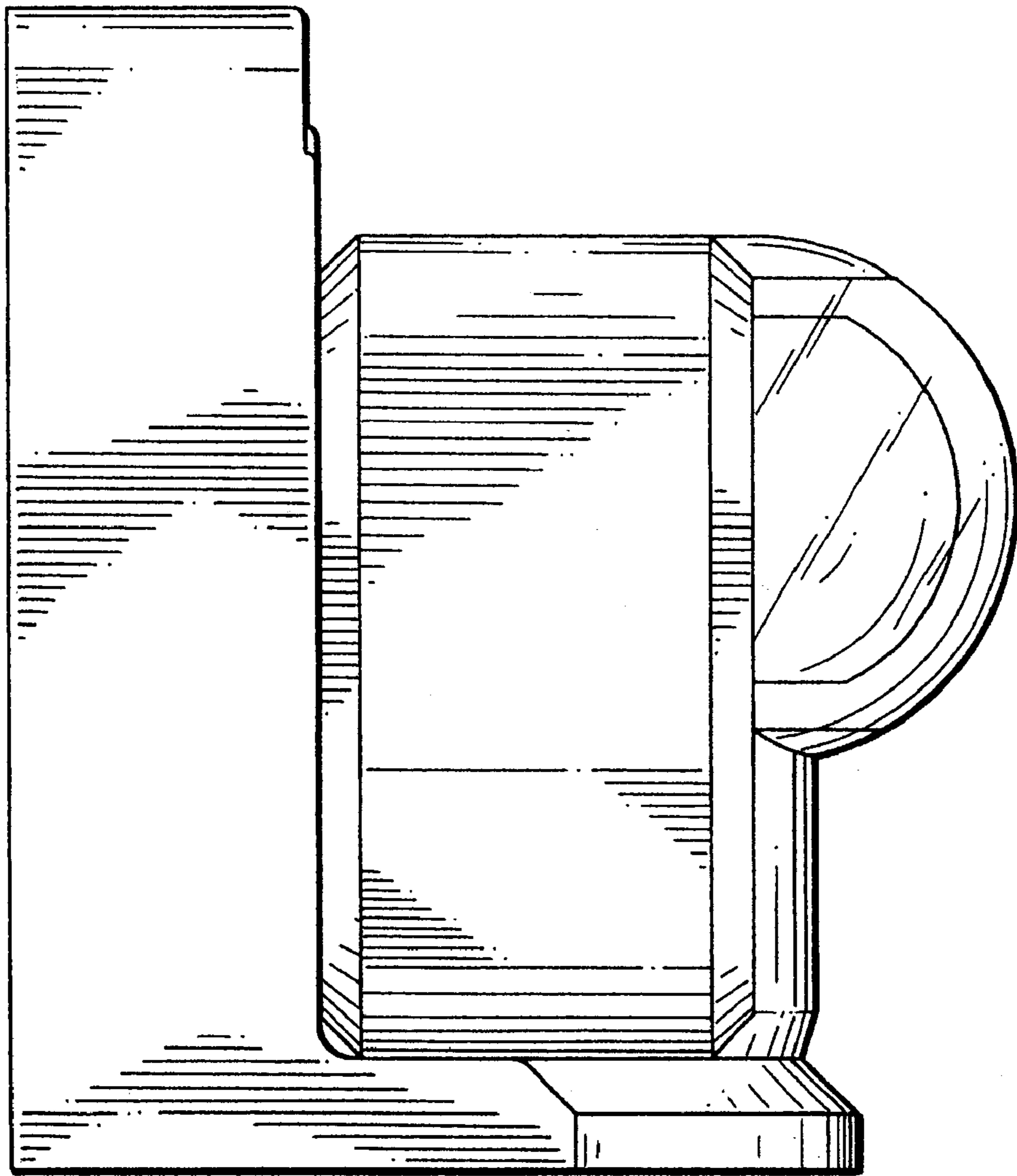


Fig. 4

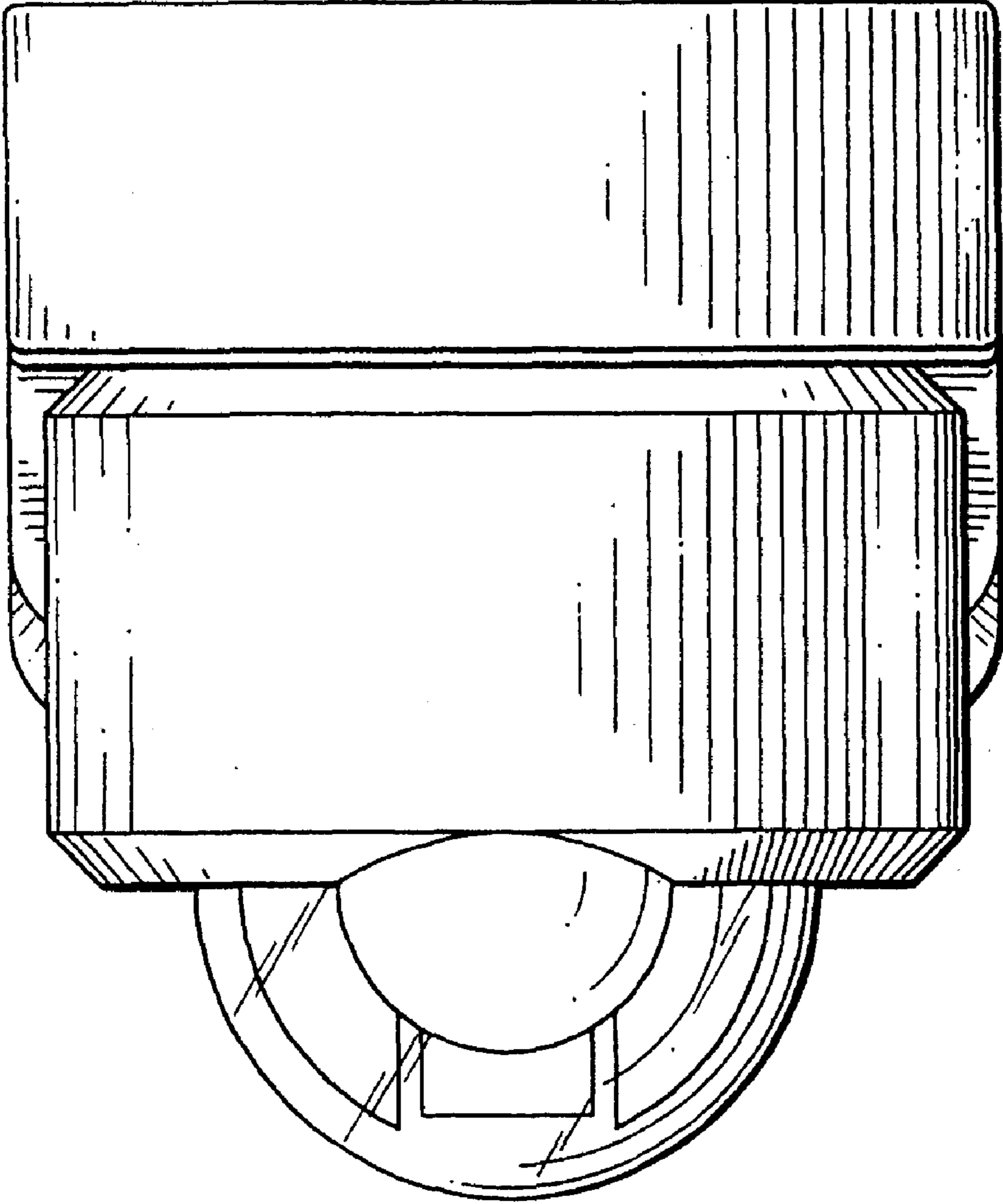


Fig. 5

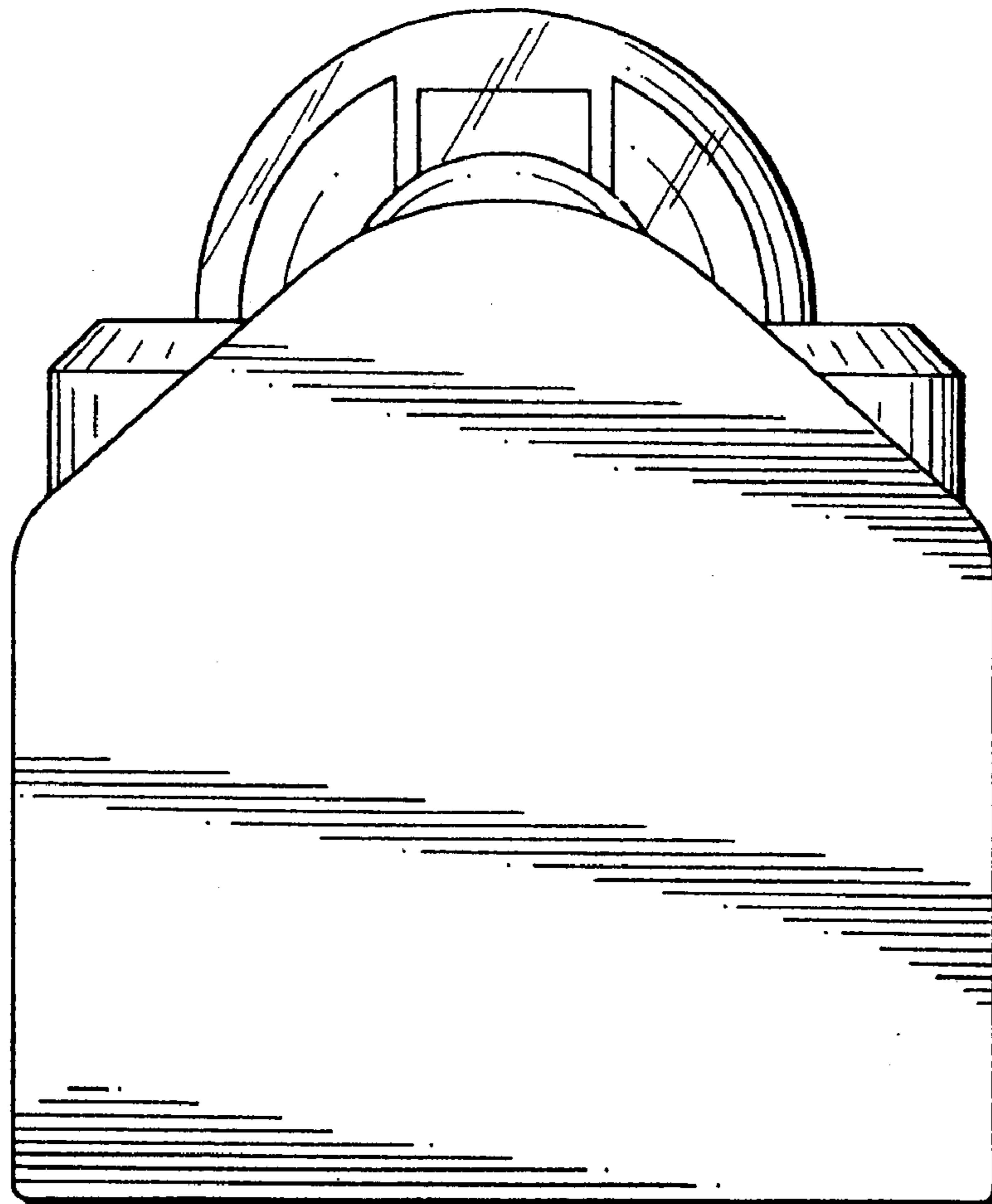


Fig. 6

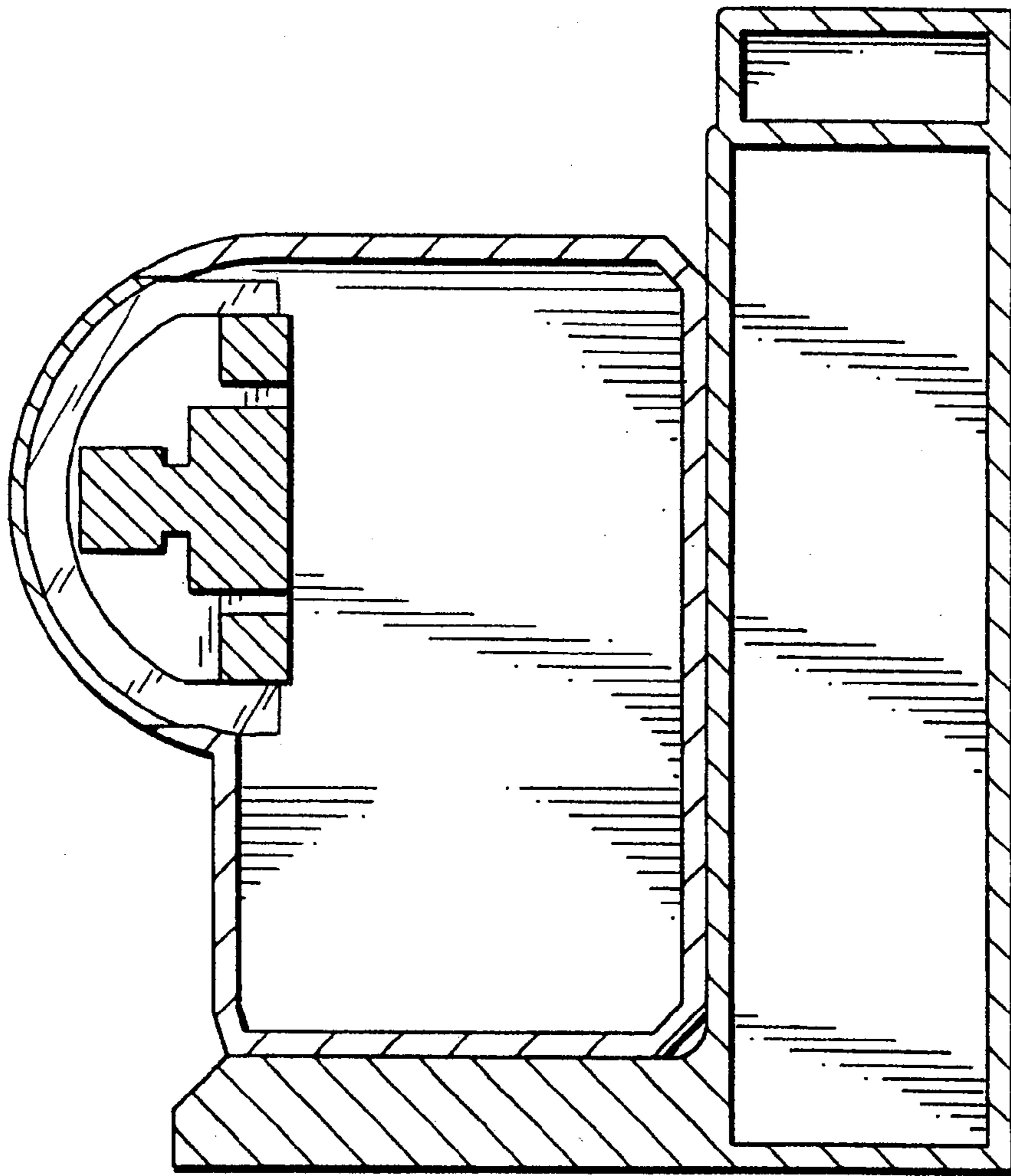


Fig. 7