



US00D519539S

(12) **United States Design Patent**
Takagi

(10) **Patent No.:** **US D519,539 S**

(45) **Date of Patent:** **** Apr. 25, 2006**

(54) **CAMERA**

(75) Inventor: **Noriaki Takagi**, Tokyo (JP)

(73) Assignee: **Sony Corporation**, Tokyo (JP)

(**) Term: **14 Years**

(21) Appl. No.: **29/215,779**

(22) Filed: **Oct. 26, 2004**

(51) **LOC (8) Cl.** **16-01**

(52) **U.S. Cl.** **D16/202; D16/218**

(58) **Field of Classification Search** D16/200-205,
D16/208, 209, 218, 219; 348/373-376; 358/909.1;
396/535-541

See application file for complete search history.

(56) **References Cited**

U.S. PATENT DOCUMENTS

D387,078 S	*	12/1997	Akita	D16/202
D419,270 S		1/2000	Harata	D16/202
6,434,337 B1	*	8/2002	Misawa	358/909.1
D474,218 S	*	5/2003	Nagayama	D16/202
D494,203 S	*	8/2004	Yoo	D16/202
D496,678 S		9/2004	Kawase	D16/218
D501,014 S	*	1/2005	Hayashi	D16/202
D501,862 S	*	2/2005	Hong et al.	D16/202
D508,711 S	*	8/2005	Suzuki	D16/218

OTHER PUBLICATIONS

Webpage "Sony Cyber-shot DSC-T1 (JE)," [http://www.ecat.sony.co.jp/tourist/dsc/products/index.cfm?PD=15555&KM=DSC-T1\(JE\)](http://www.ecat.sony.co.jp/tourist/dsc/products/index.cfm?PD=15555&KM=DSC-T1(JE)), 1 Sheet (Aug. 2004).

Webpage "Sony Cyber-shot DSC-T11," <http://www.ecat.sony.co.jp/camera/dsc/products/index.cfm?PD=17018&KM=DSC-T11>, 1 sheet (Aug. 2004).

* cited by examiner

Primary Examiner—Adir Aronovich

(74) *Attorney, Agent, or Firm*—Rader, Fishman & Grauer PLLC

(57) **CLAIM**

The ornamental design for a camera, as shown.

DESCRIPTION

FIG. 1 is a perspective view of a camera showing my new design;

FIG. 2 is a front elevational view thereof;

FIG. 3 is a rear elevational view thereof;

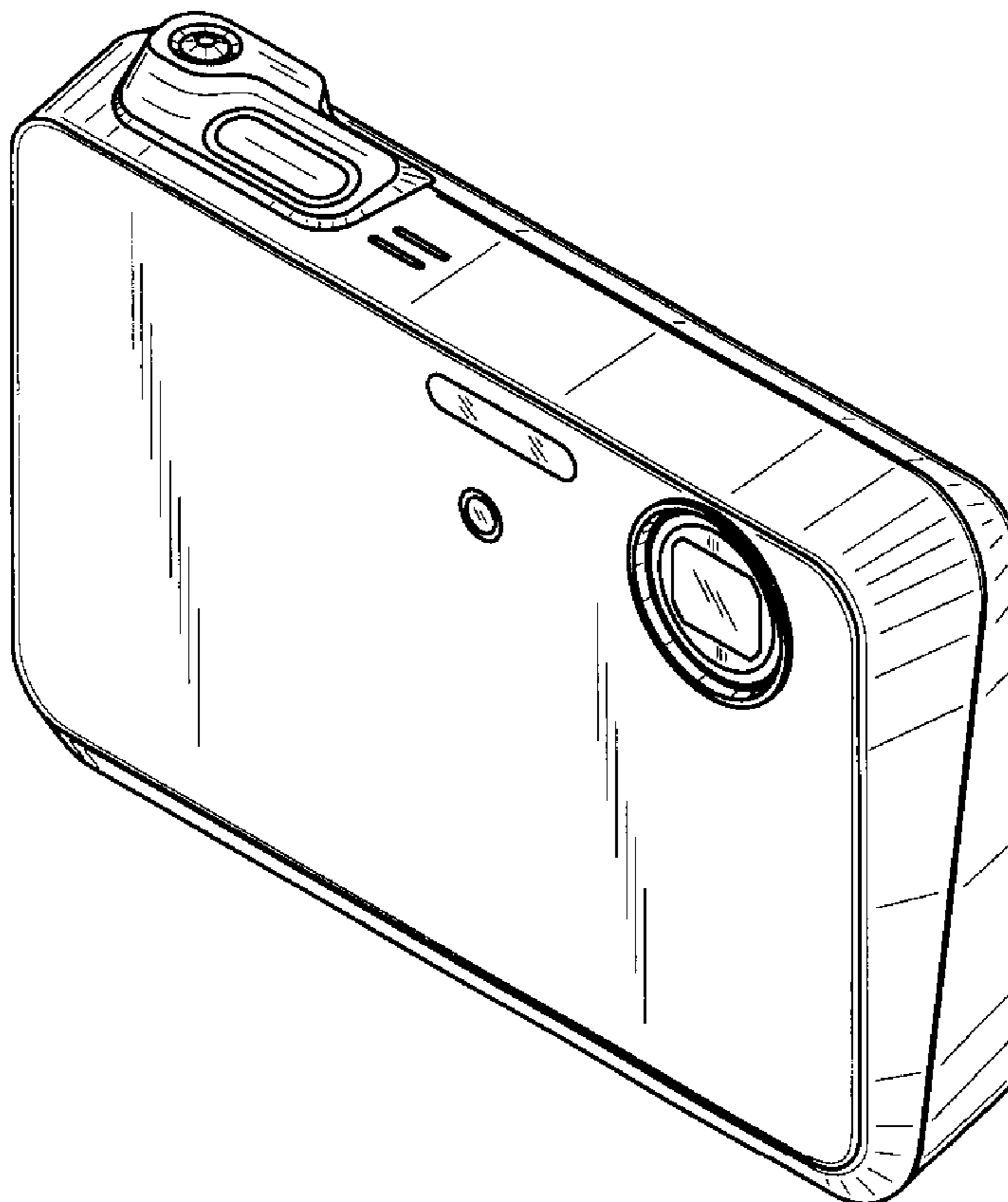
FIG. 4 is a left side elevational view thereof;

FIG. 5 is a right side elevational view thereof;

FIG. 6 is a top plan view thereof; and,

FIG. 7 is a bottom plan view thereof.

1 Claim, 4 Drawing Sheets



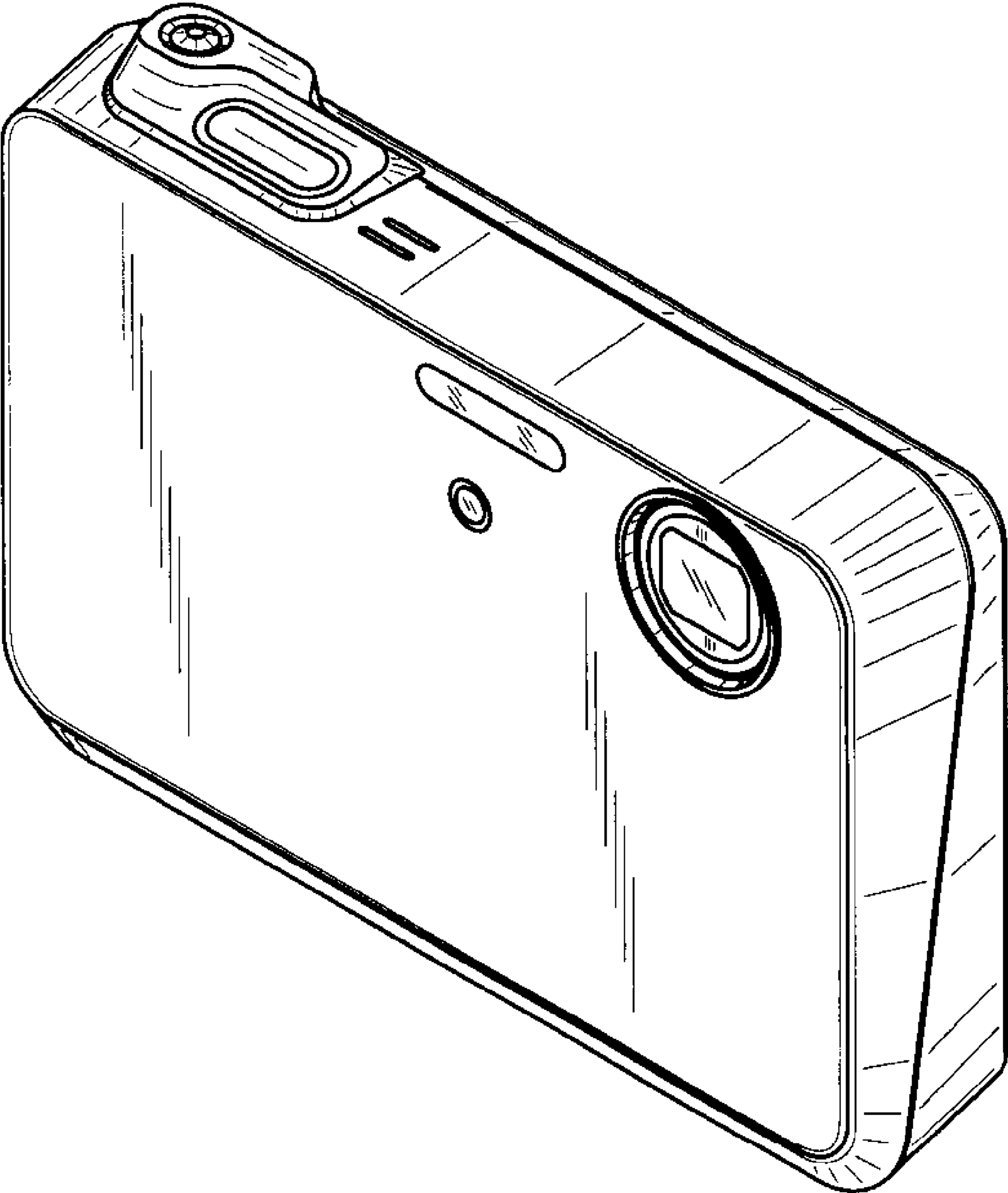


FIG. 1

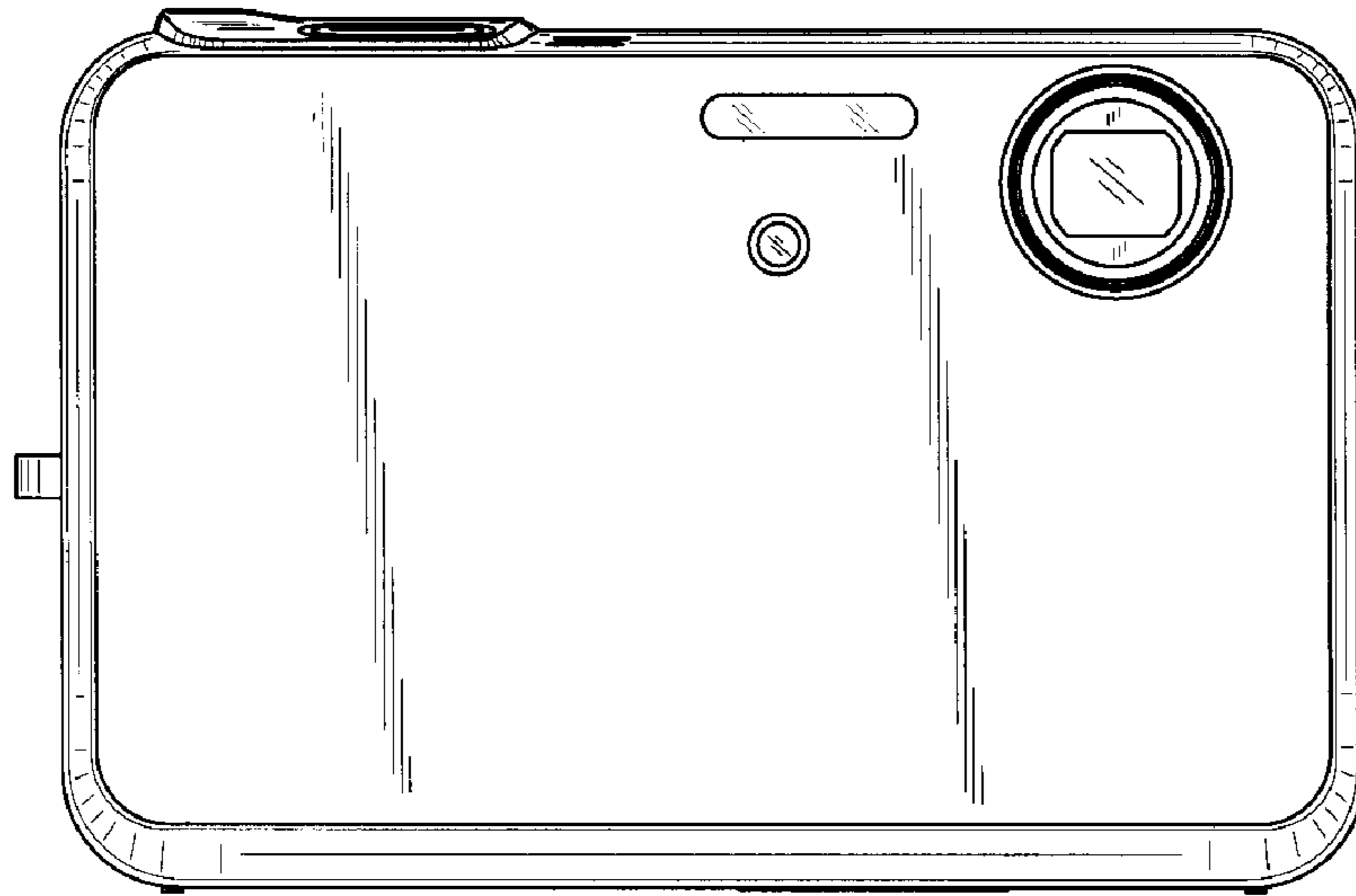


FIG. 2

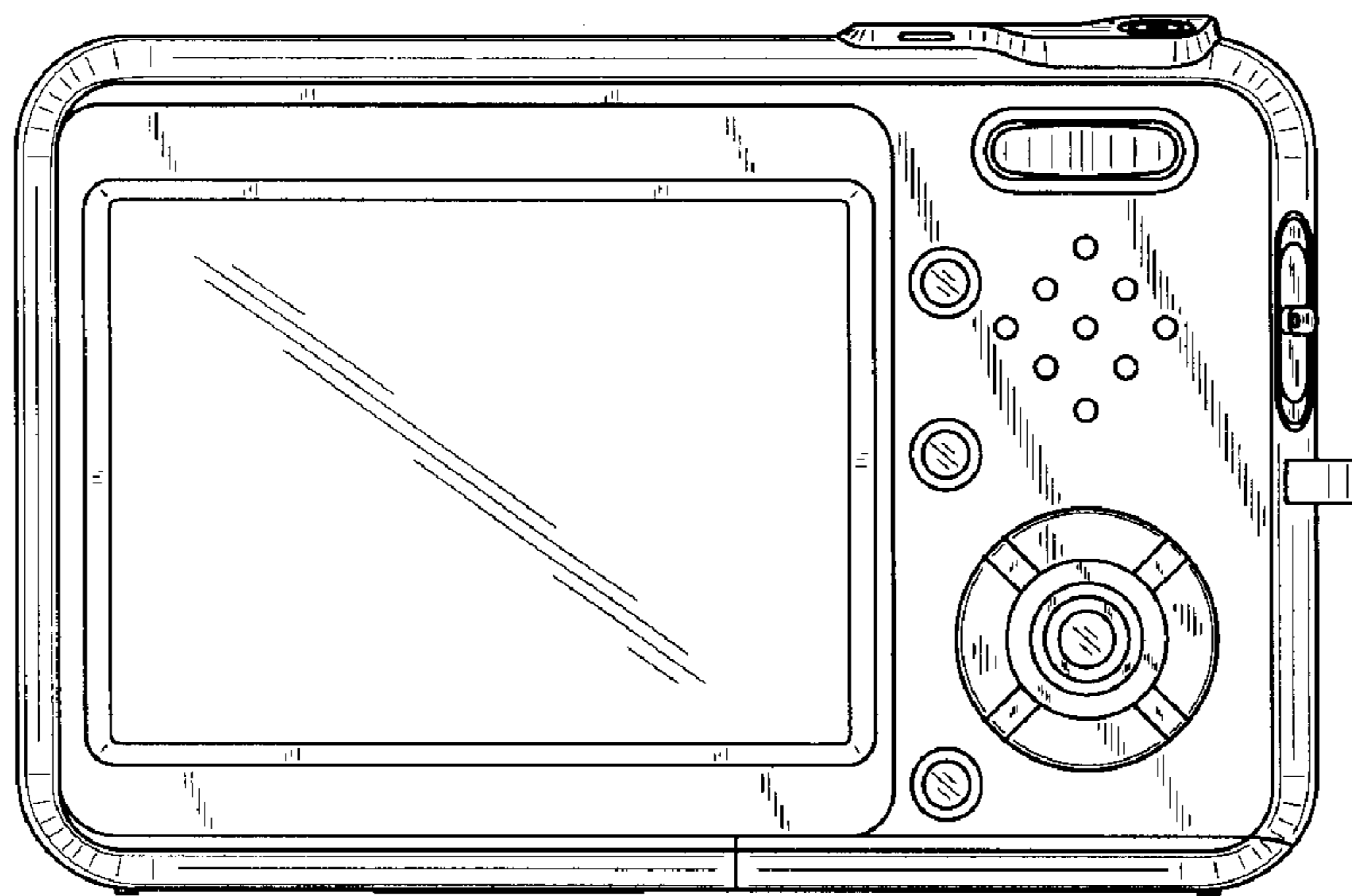


FIG. 3

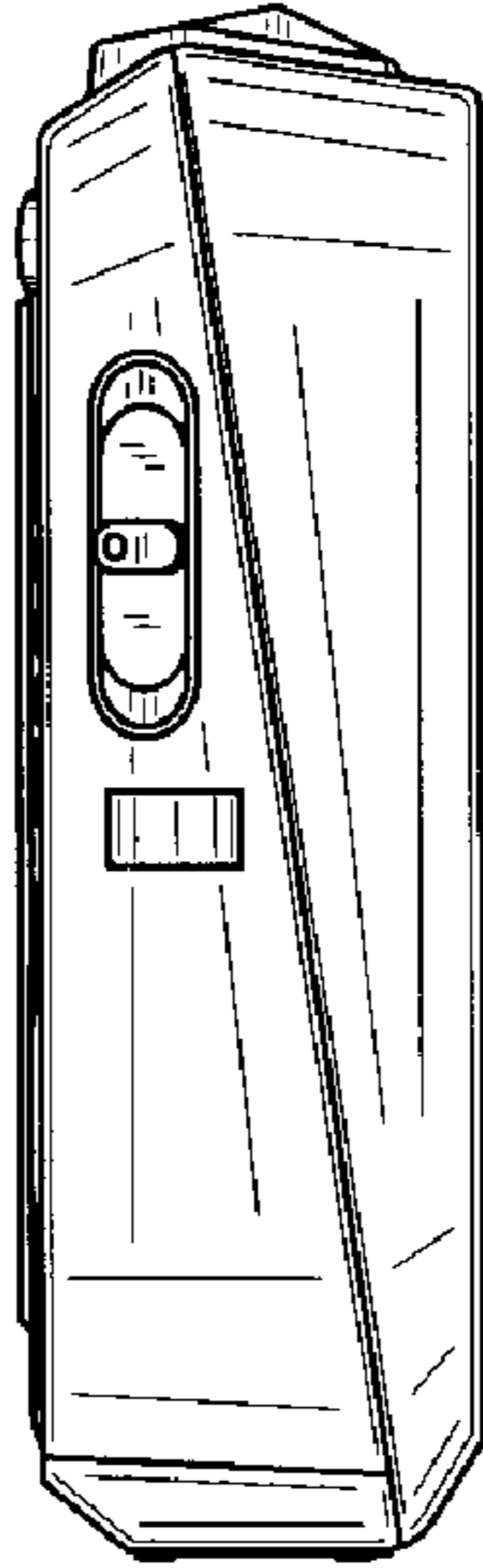


FIG. 4

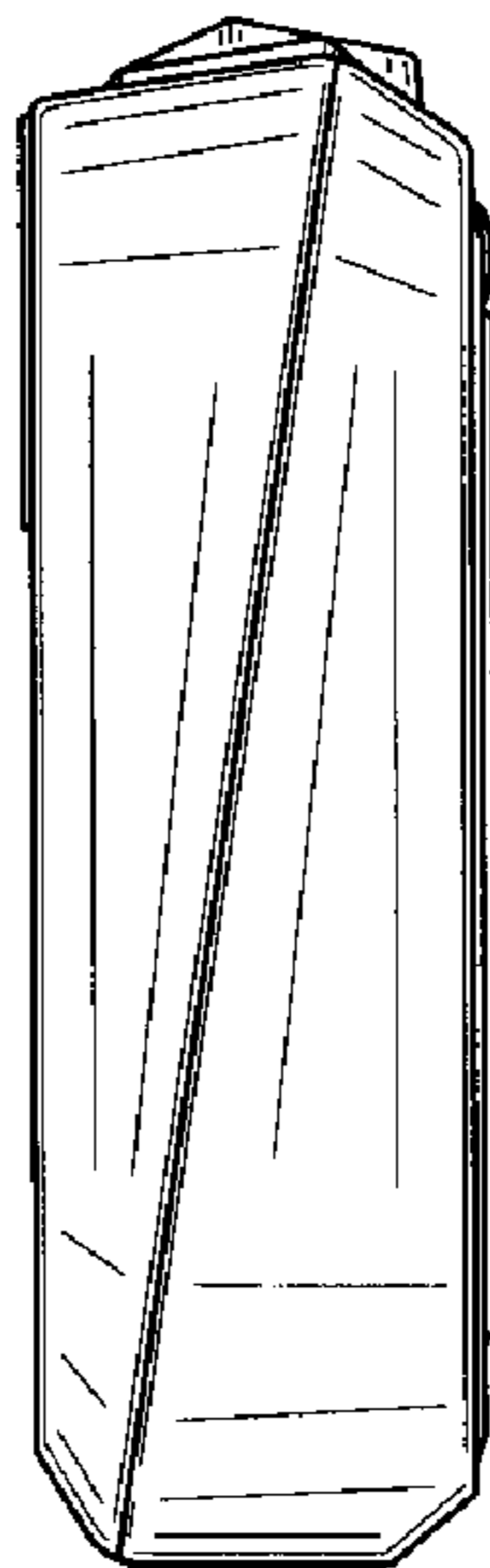


FIG. 5

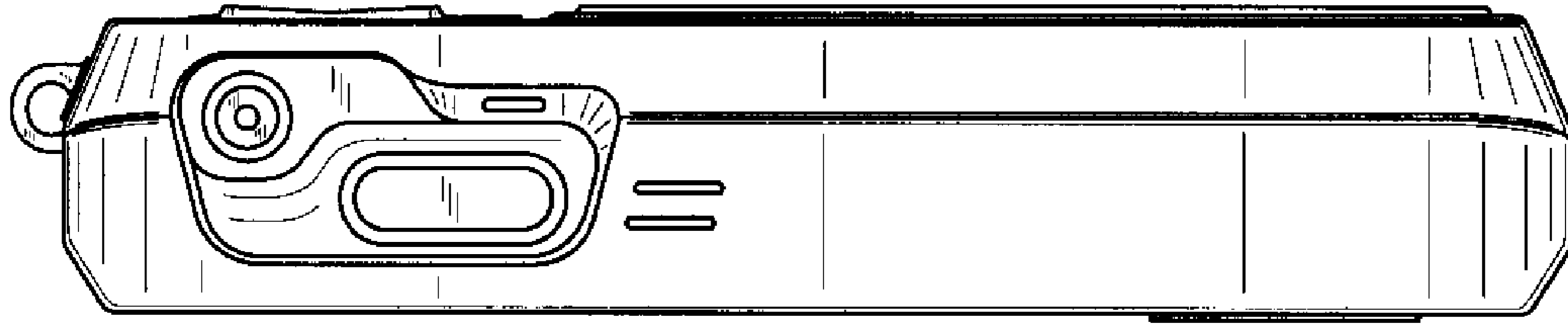


FIG. 6

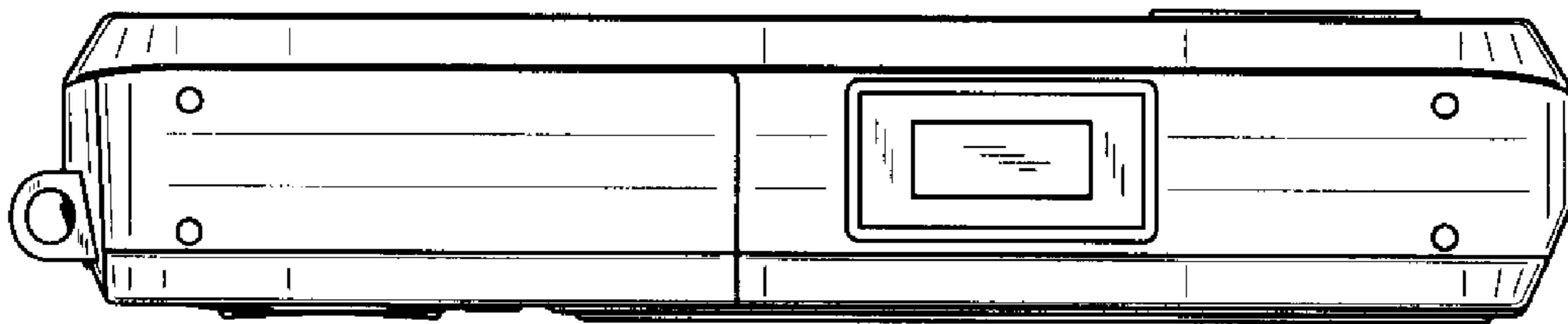


FIG. 7