

US00D519536S

(12) **United States Design Patent**
de Leeuw et al.

(10) **Patent No.:** **US D519,536 S**

(45) **Date of Patent:** **** Apr. 25, 2006**

(54) **NOZZLE HOLDING PORTION OF AN
ADHESIVE DISPENSER**

6,435,425 B1 * 8/2002 Saidman 239/290
D473,883 S * 4/2003 Huey et al. D15/144.2

(75) Inventors: **Victor de Leeuw**, Hilvarenbeek (NL);
Wendelinus Cornelis van der Heijden,
Drunen (NL)

* cited by examiner

Primary Examiner—Antoine D. Davis

Assistant Examiner—Patricia Palasik

(73) Assignee: **Nordson Corporation**, Westlake, OH
(US)

(74) *Attorney, Agent, or Firm*—Wood, Herron & Evans,
L.L.P.

(**) Term: **14 Years**

(57) **CLAIM**

The ornamental design for a nozzle holding portion of an
adhesive dispenser, as shown and described.

(21) Appl. No.: **29/214,958**

(22) Filed: **Oct. 12, 2004**

DESCRIPTION

(30) **Foreign Application Priority Data**

Apr. 14, 2004 (EP) 1658321U

(51) **LOC (8) Cl.** **15-09**

(52) **U.S. Cl.** **D15/144**

(58) **Field of Classification Search** D15/144-144.2;
239/1, 11, 71, 539, 536, 290, 423; 425/7,
425/208.2; 250/343, 339.12

See application file for complete search history.

FIG. 1 is a perspective view of the nozzle holding portion of
an adhesive dispenser.

FIG. 2 is a rear perspective view thereof.

FIG. 3 is a rear elevational view thereof.

FIG. 4 is a left side view thereof.

FIG. 5 is a front elevational view thereof.

FIG. 6 is a right side view thereof.

FIG. 7 is a top plan view thereof; and,

FIG. 8 is a bottom plan view thereof.

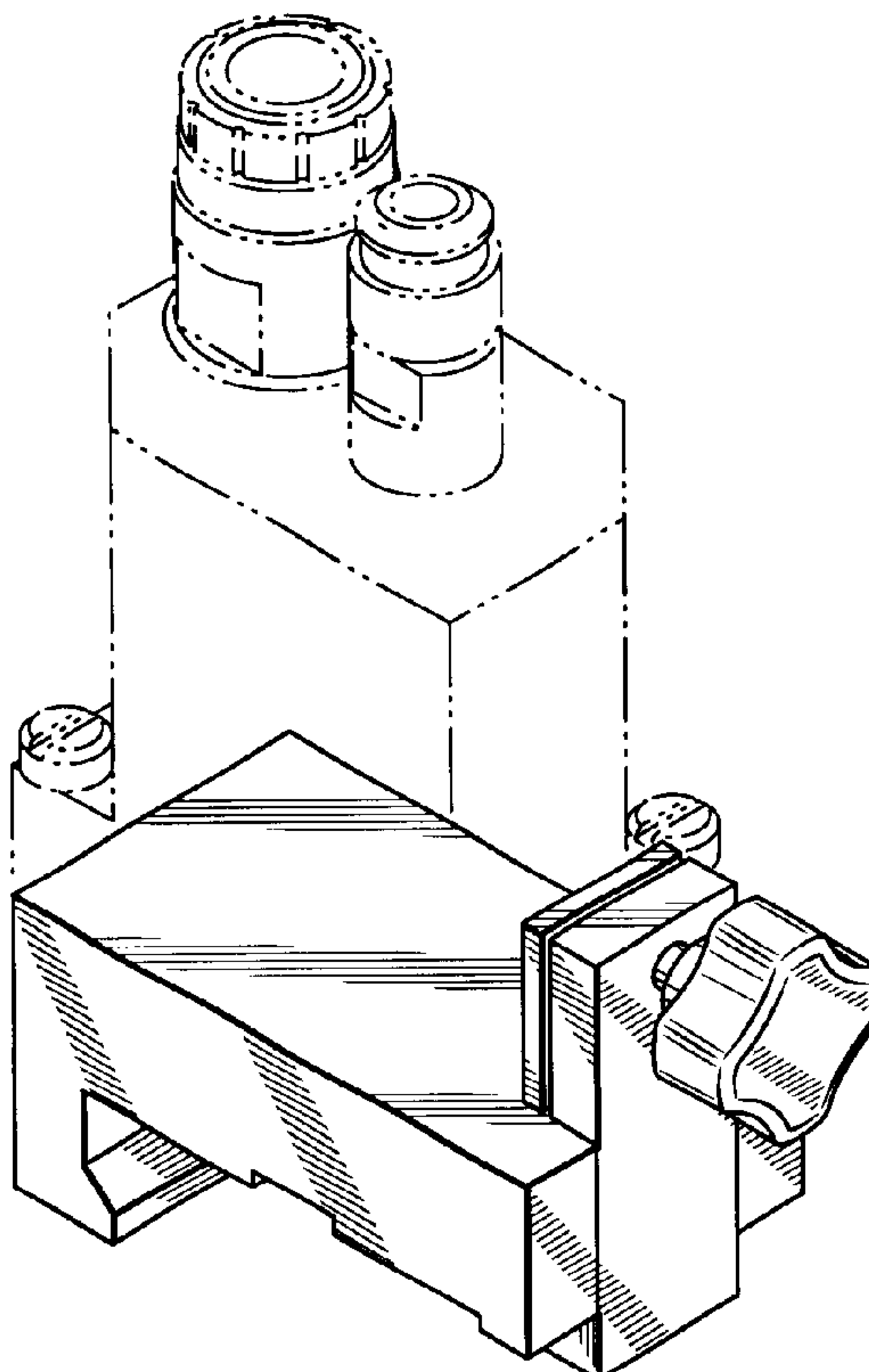
The broken line showing the nozzle is for illustrative pur-
poses only and forms no part of the claimed design.

(56) **References Cited**

U.S. PATENT DOCUMENTS

5,148,982 A * 9/1992 Ekhoft 239/1

1 Claim, 2 Drawing Sheets



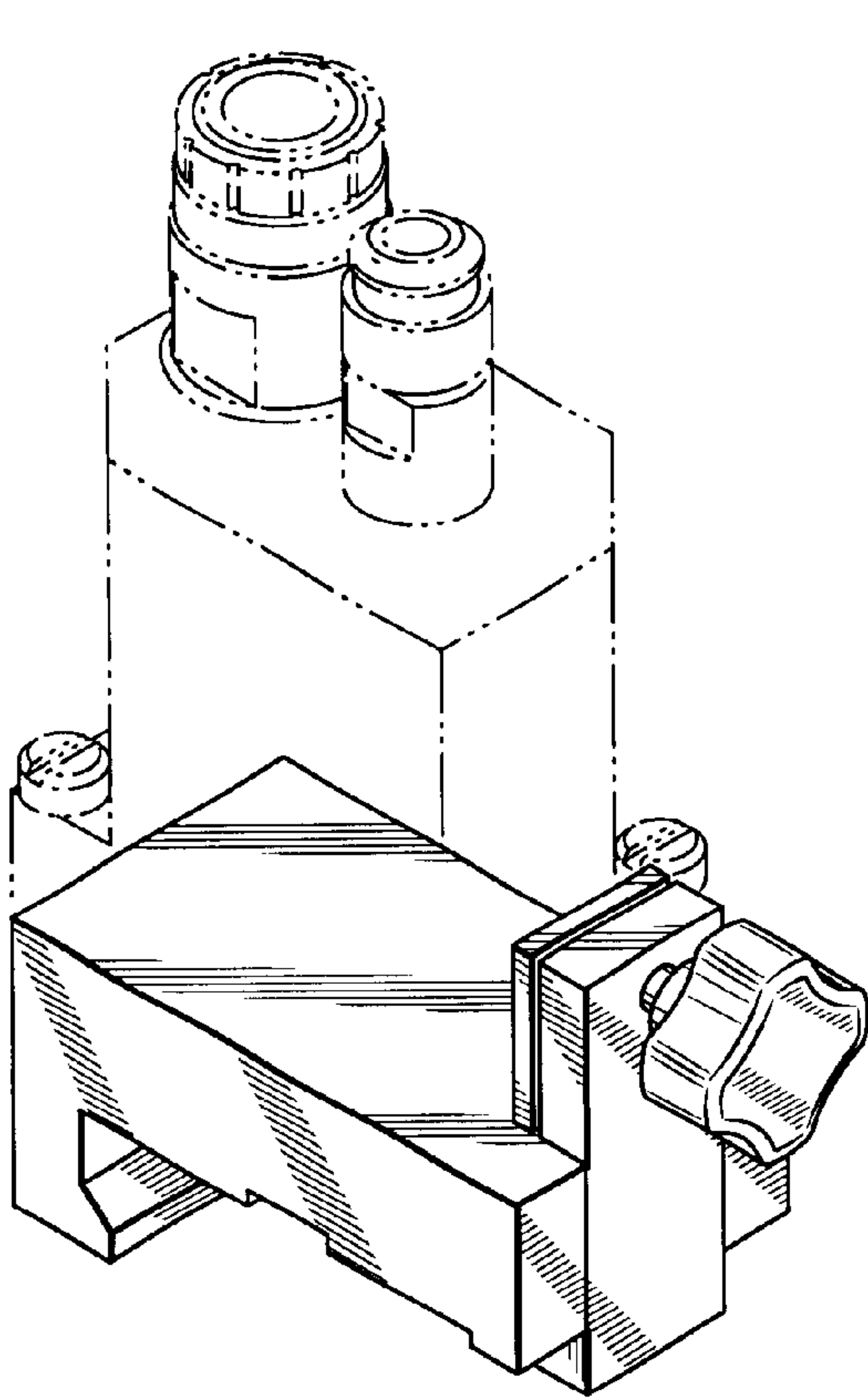


FIG. 1

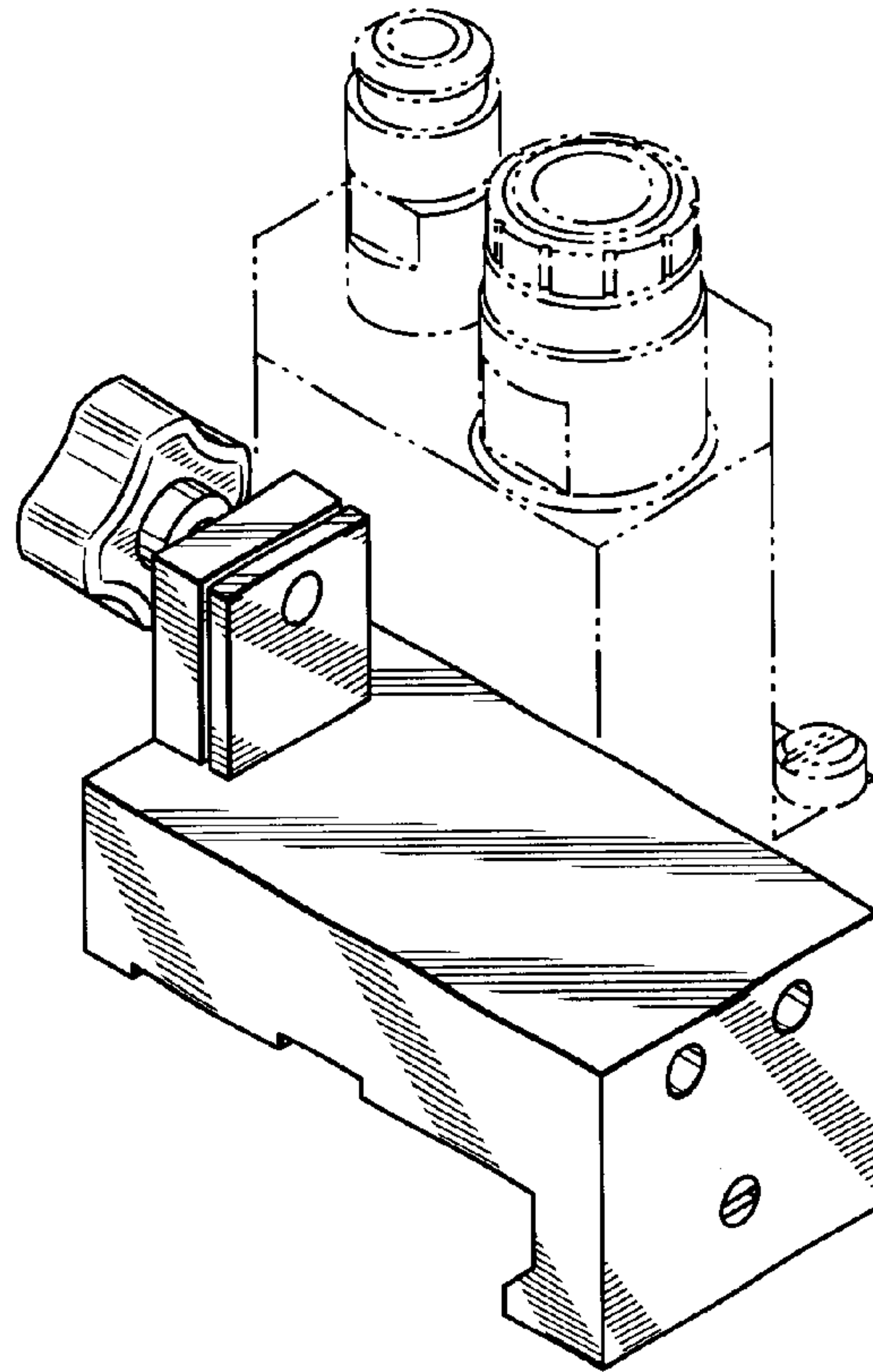


FIG. 2

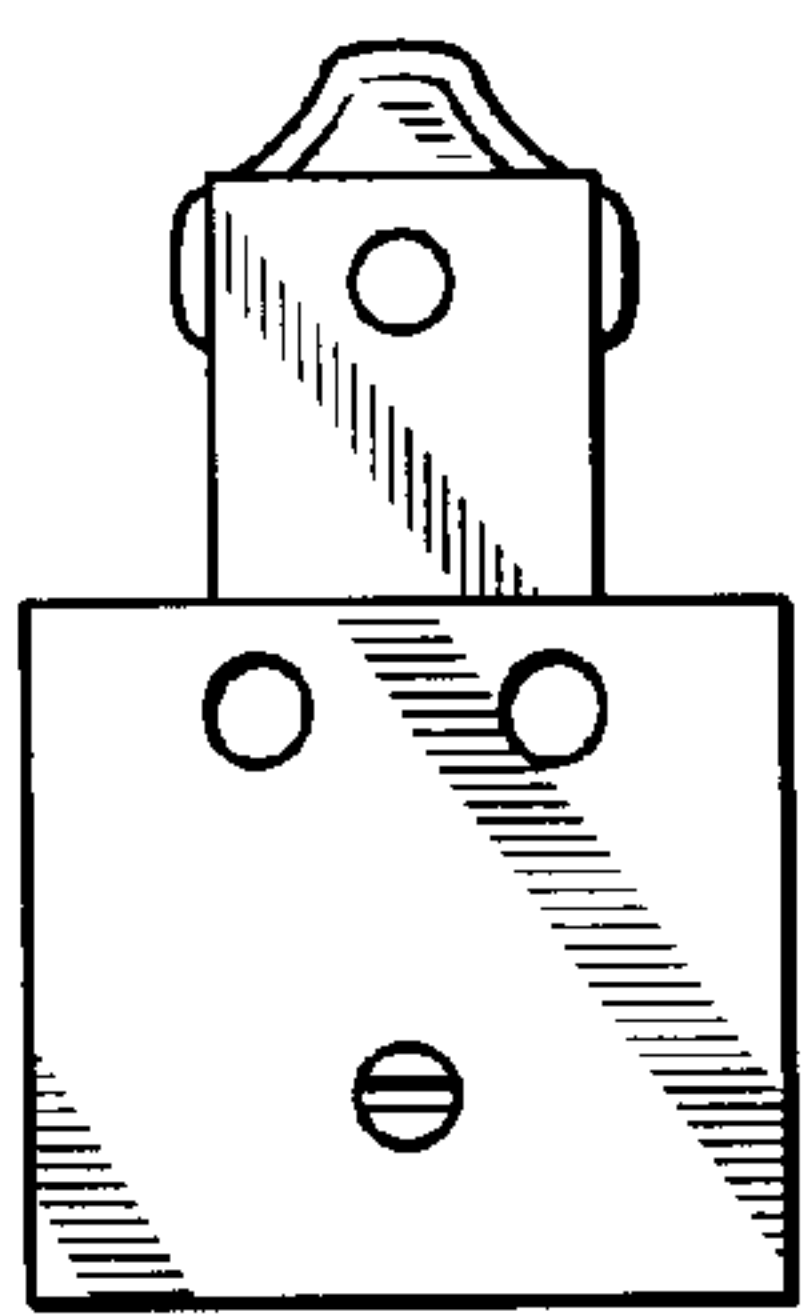


FIG. 3

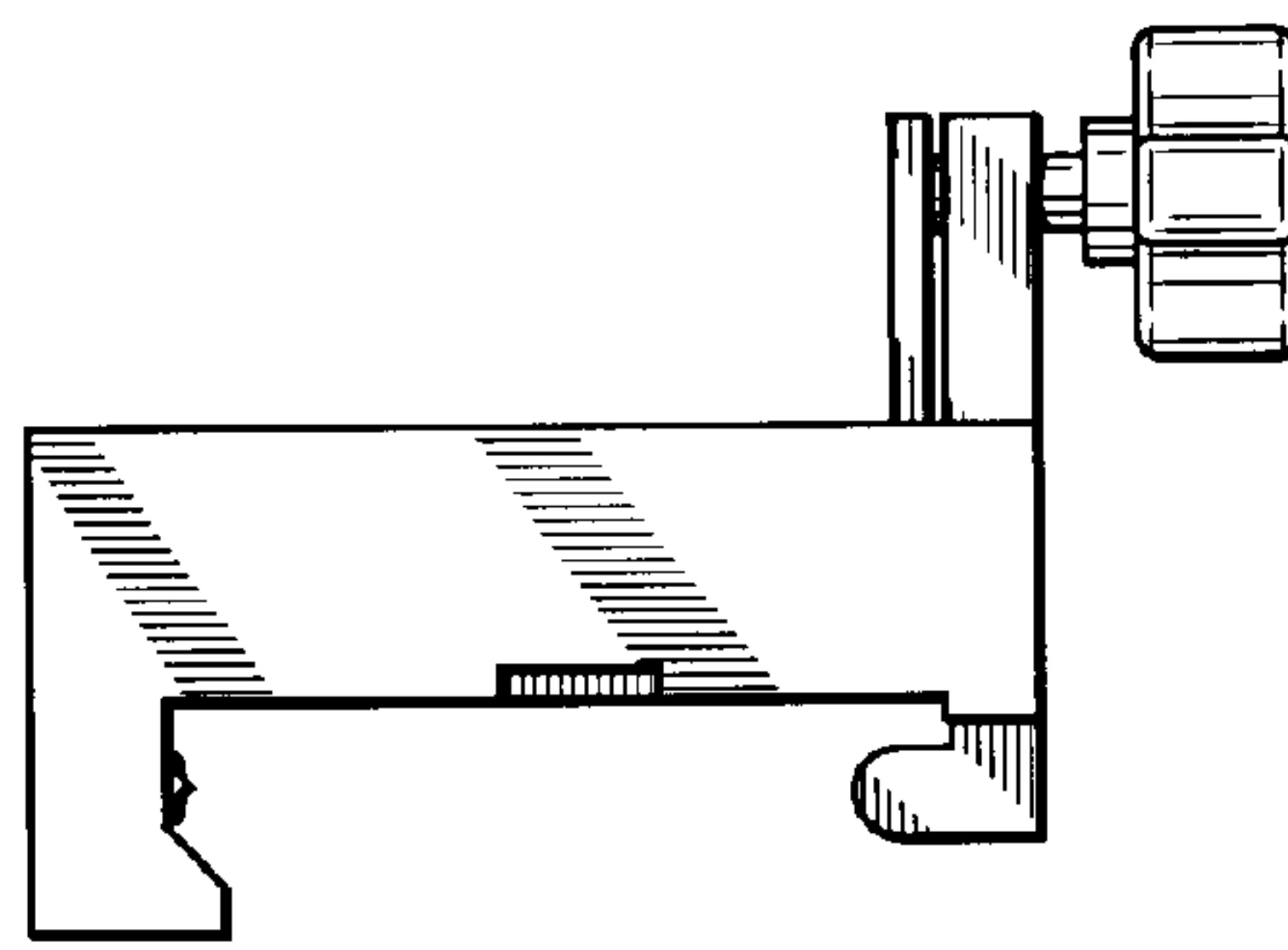


FIG. 4

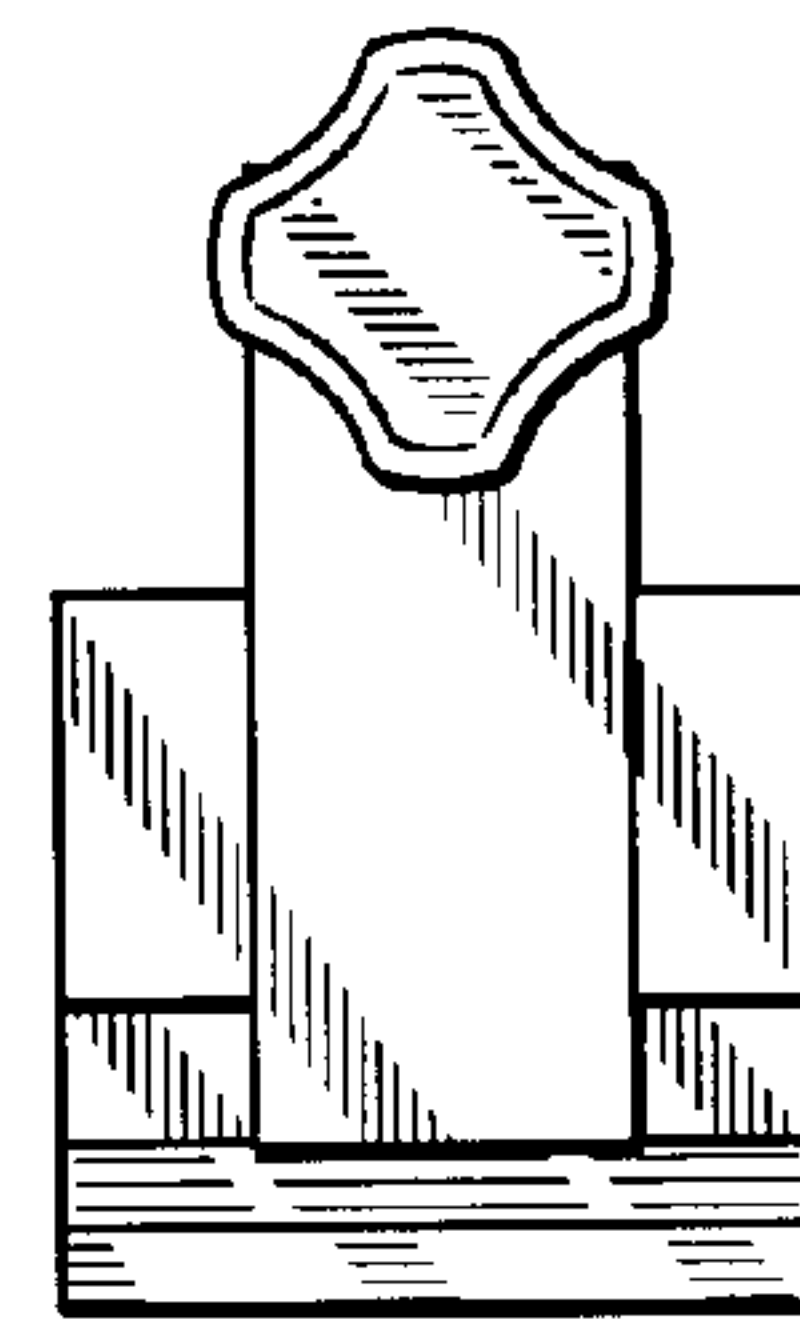


FIG. 5

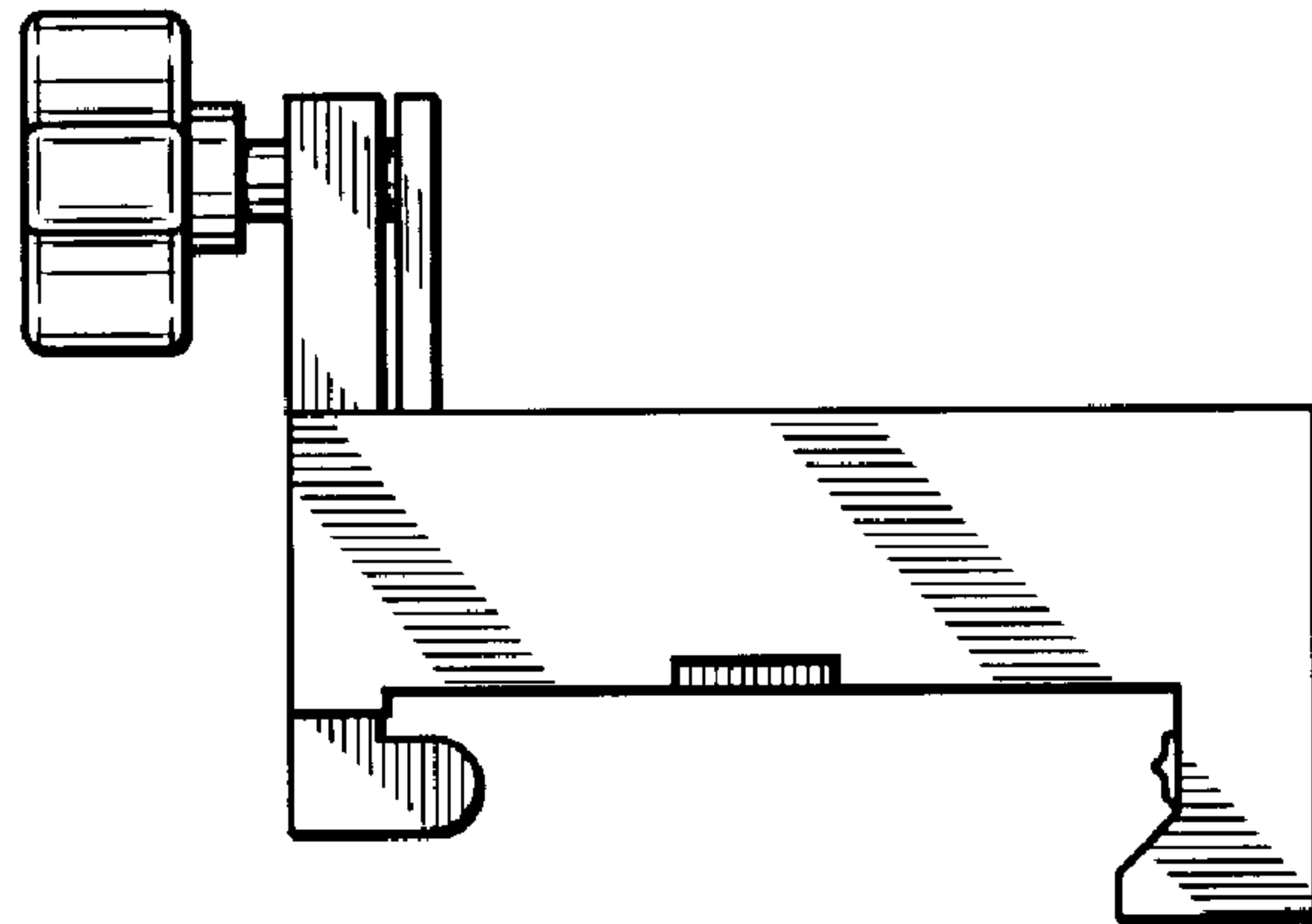


FIG. 6

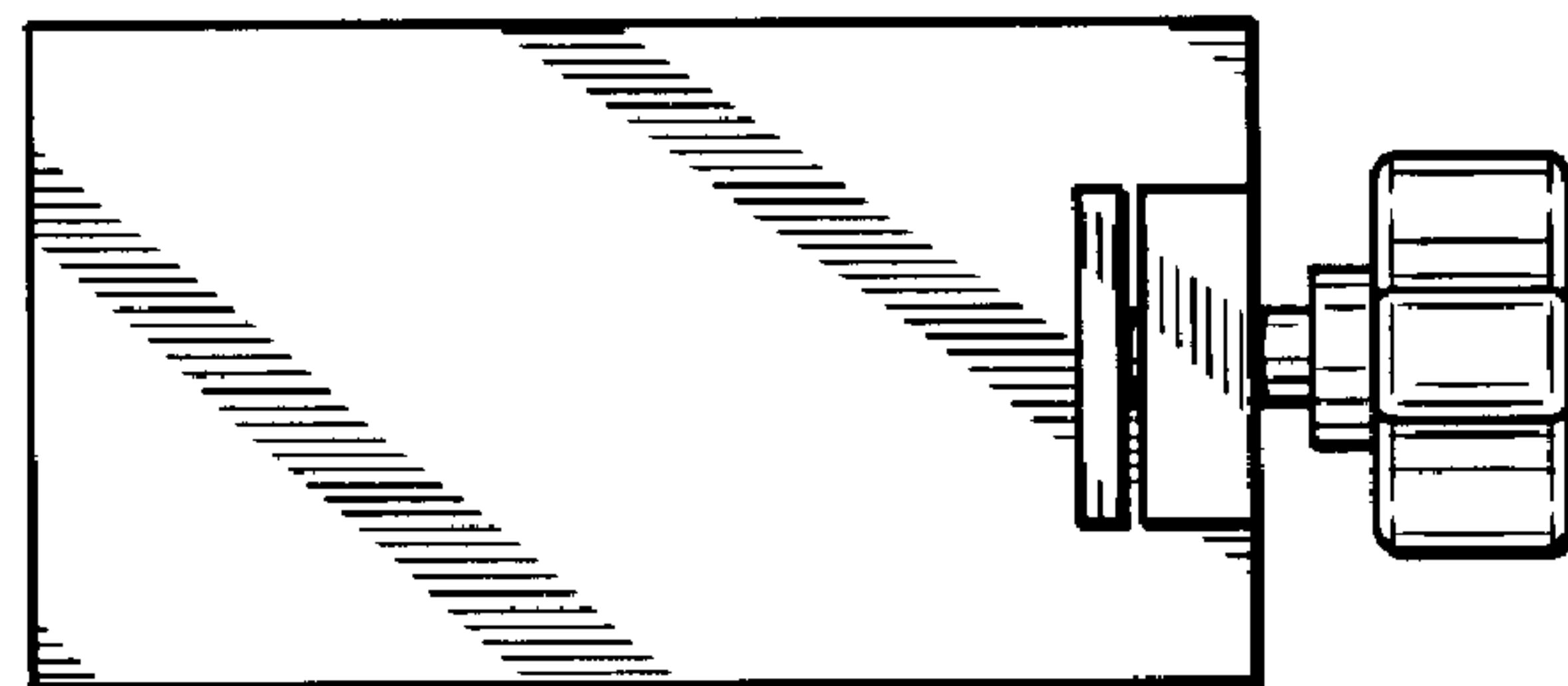


FIG. 7

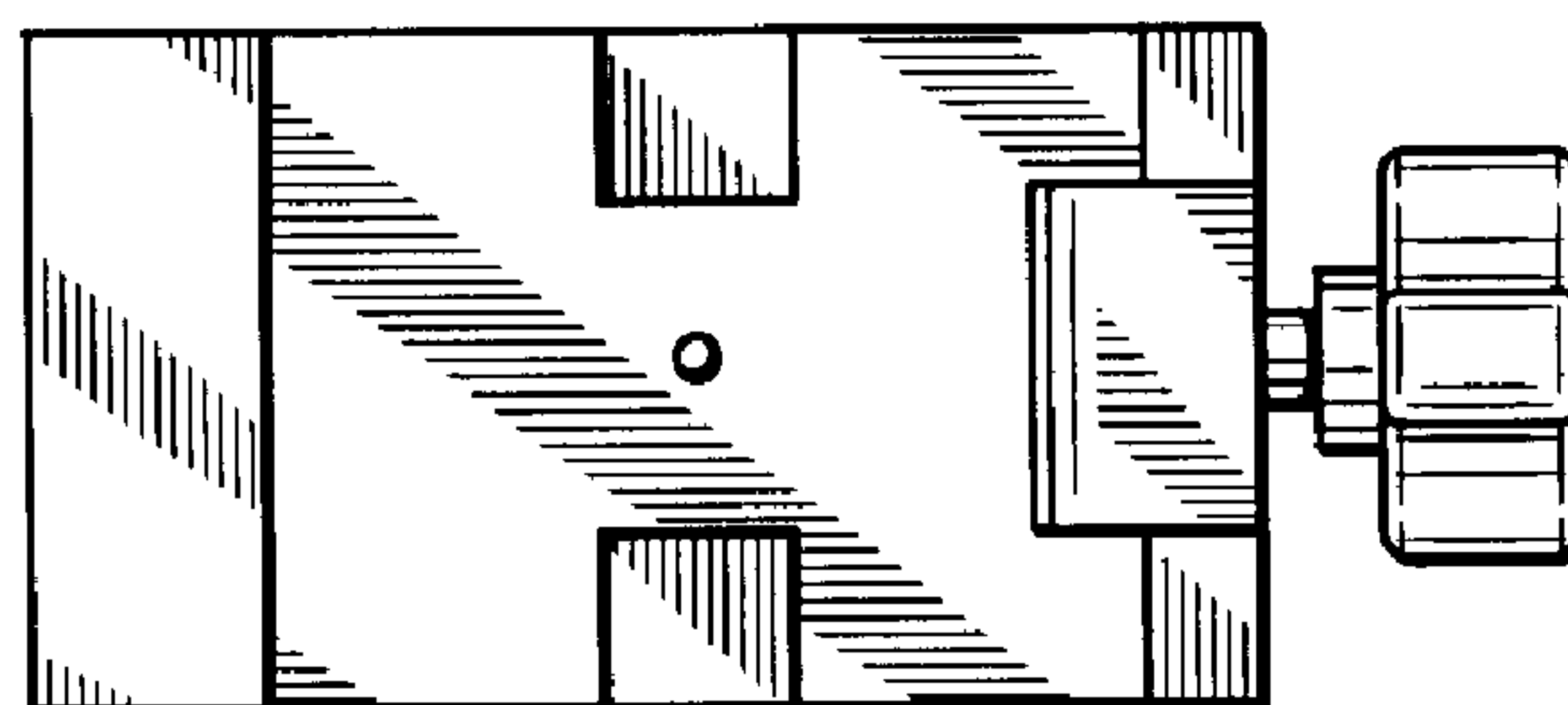


FIG. 8