



US00D519534S

(12) **United States Design Patent**  
**Mackiewicz**

(10) **Patent No.:** **US D519,534 S**

(45) **Date of Patent:** **\*\* Apr. 25, 2006**

(54) **CAP FOR A FITTING**

(75) **Inventor:** **John Edmund Mackiewicz**, Niles, MI (US)

(73) **Assignee:** **Robert Bosch GmbH**, Stuttgart (DE)

(\*\*) **Term:** **14 Years**

(21) **Appl. No.:** **29/192,616**

(22) **Filed:** **Oct. 27, 2003**

(51) **LOC (8) Cl.** ..... **15-09**

(52) **U.S. Cl.** ..... **D15/143**

(58) **Field of Classification Search** ..... D15/143;  
384/432, 434

See application file for complete search history.

(56) **References Cited**

**U.S. PATENT DOCUMENTS**

5,119,776 A \* 6/1992 Bakker ..... 384/434

6,471,406 B1 \* 10/2002 Cadle et al. .... 384/434

\* cited by examiner

*Primary Examiner*—Antoine D. Davis

(74) *Attorney, Agent, or Firm*—Leo H. McCormick, Jr.; Warren Comstock

(57) **CLAIM**

The ornamental design for a cap for a fitting, as shown and described.

**DESCRIPTION**

FIG. 1 is a side view of a cap for a fitting showing my new design;

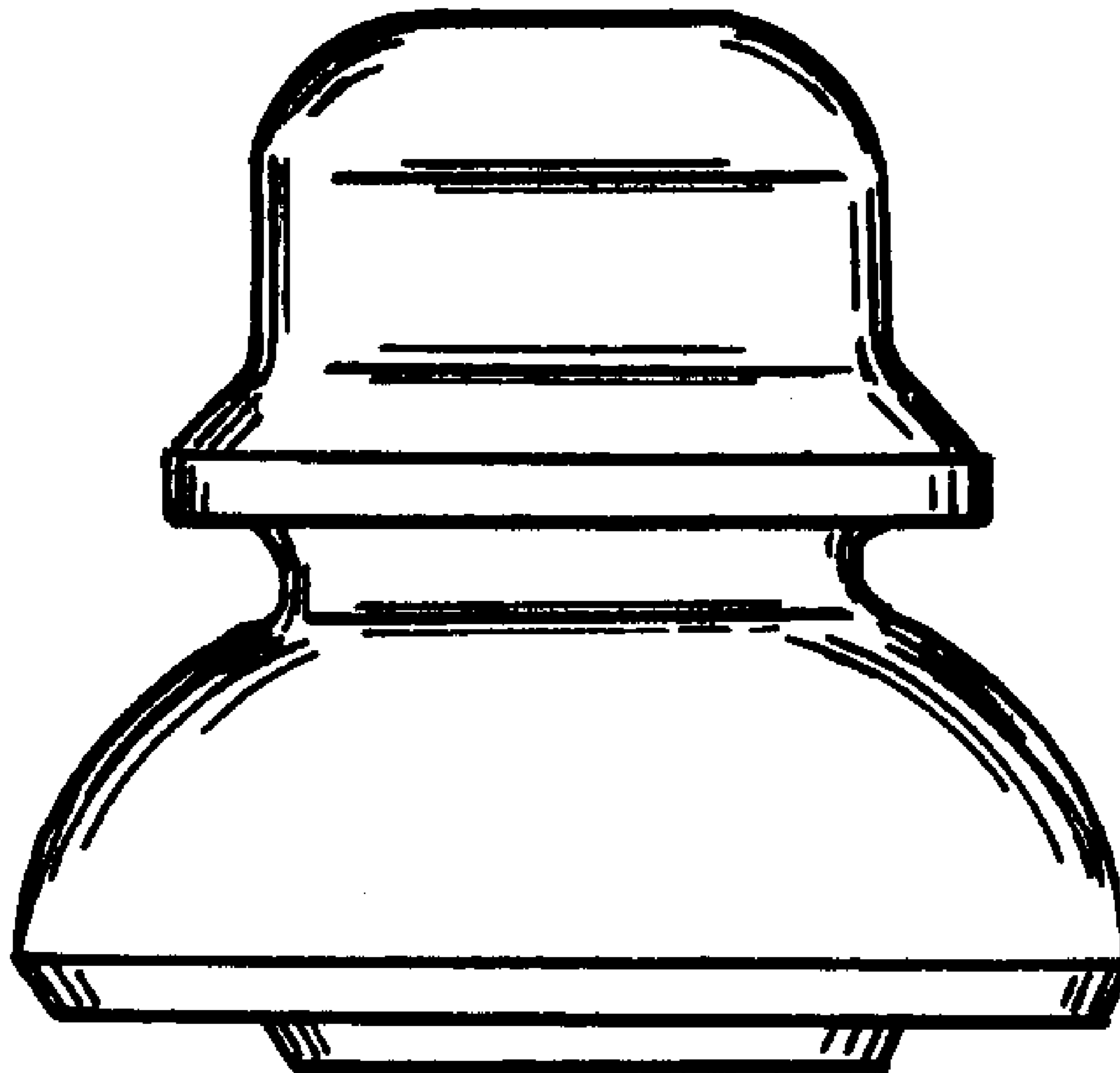
FIG. 2 is a top view thereof;

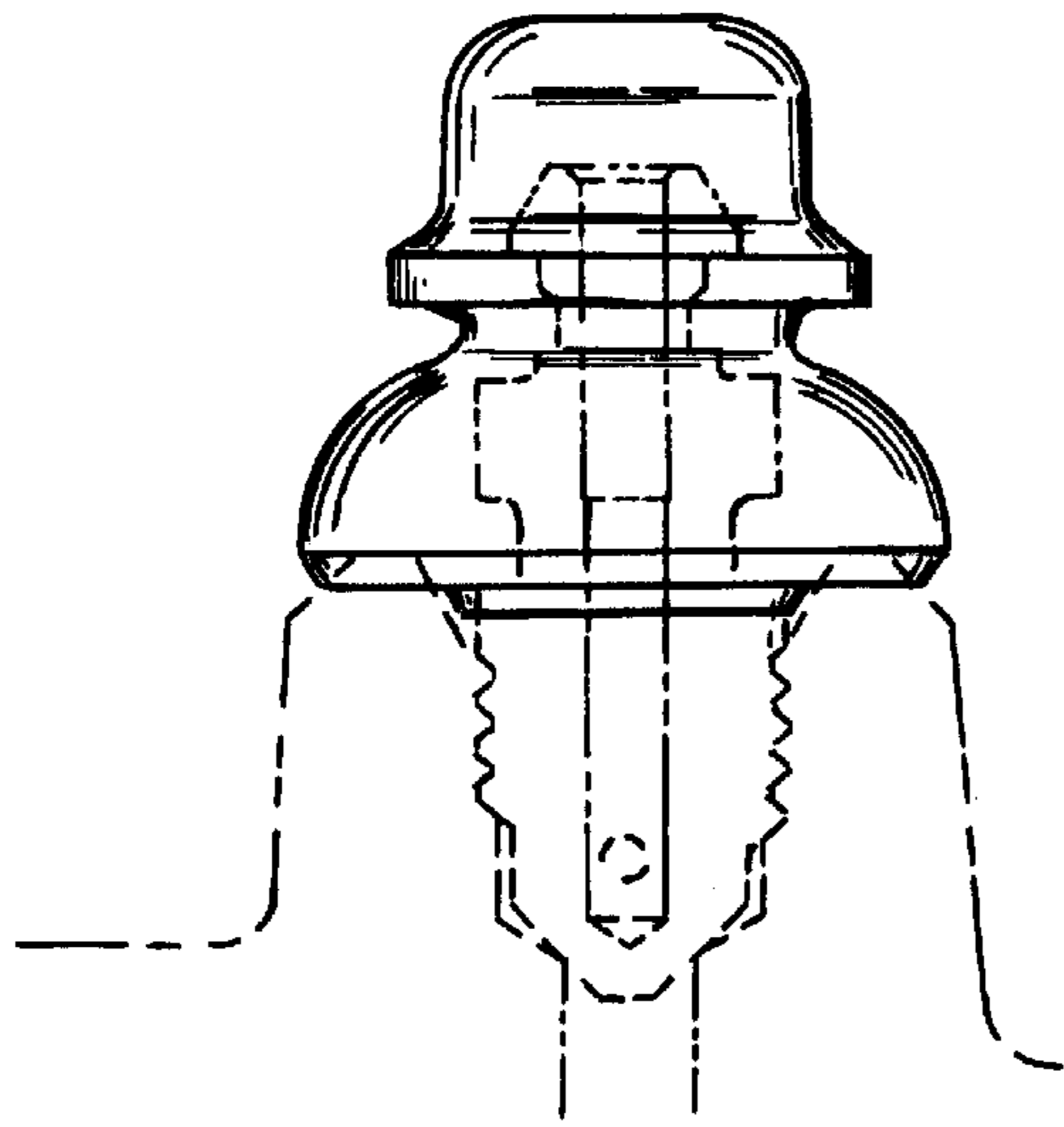
FIG. 3 is a bottom view thereof; and,

FIG. 4 is a side view of the cap located on a fitting retained in a housing.

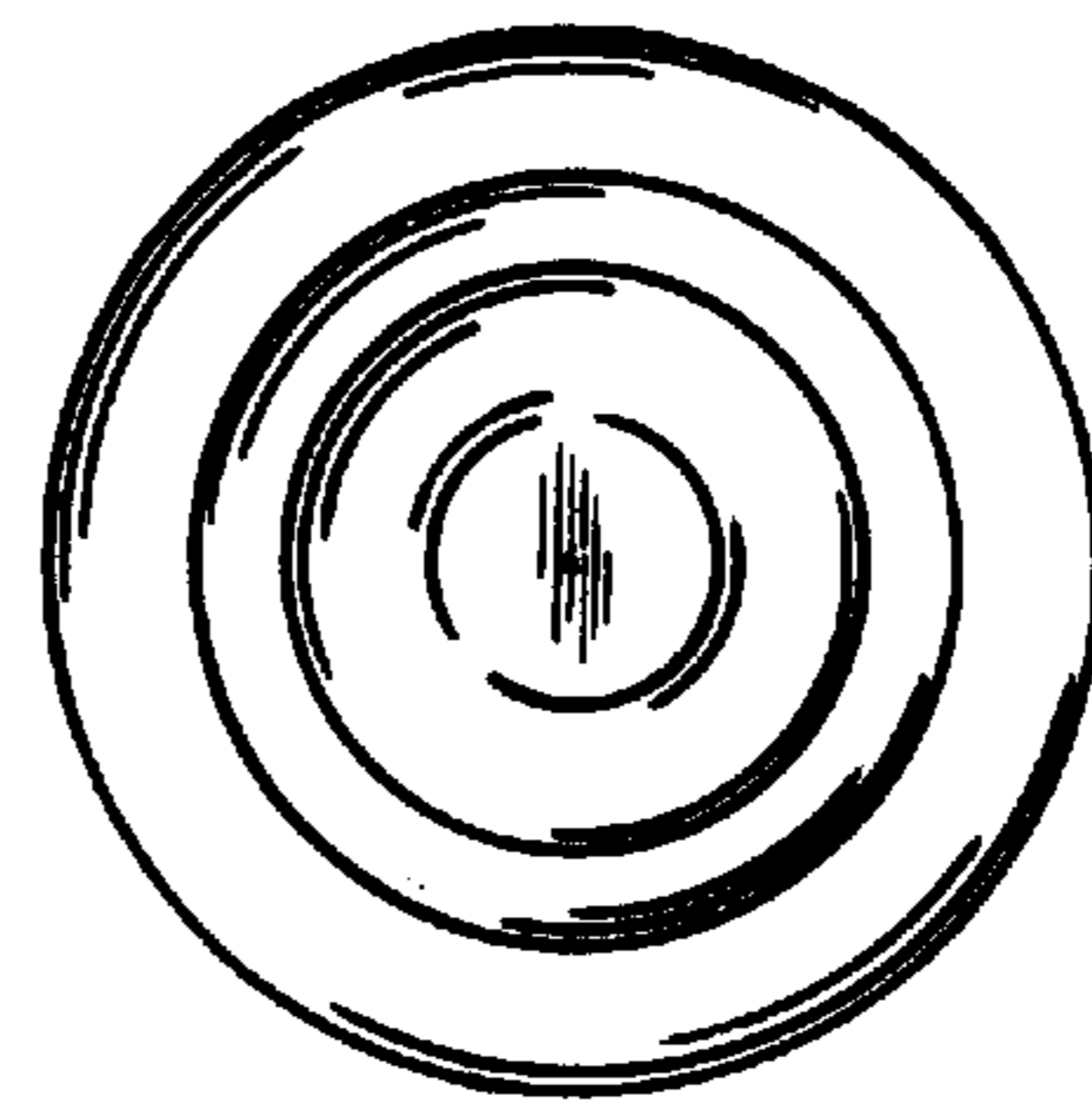
The fitting and housing shown by dashed lines in FIG. 4 are included to illustrate an associated environment and form no part of the claimed invention.

**1 Claim, 1 Drawing Sheet**

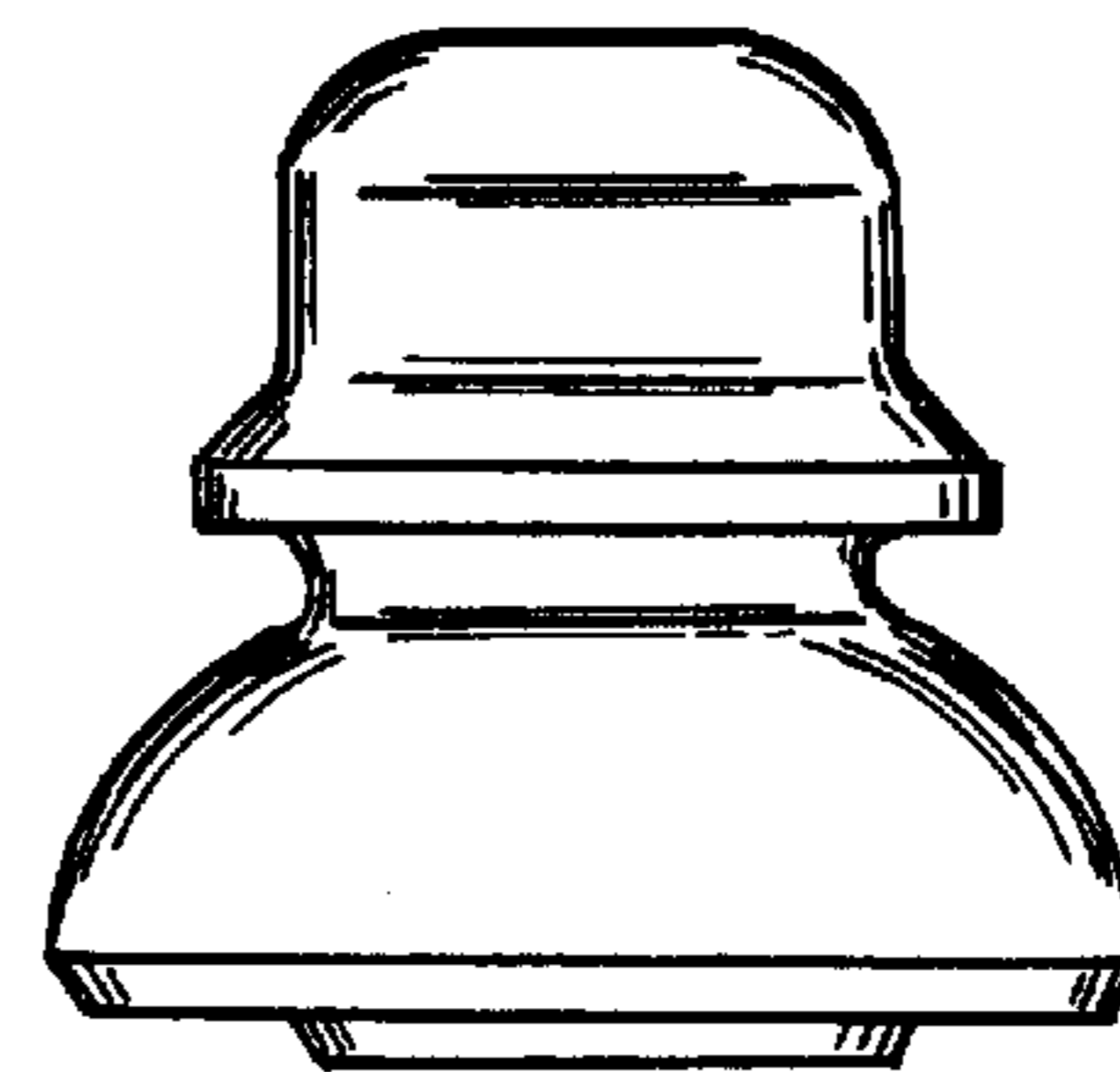




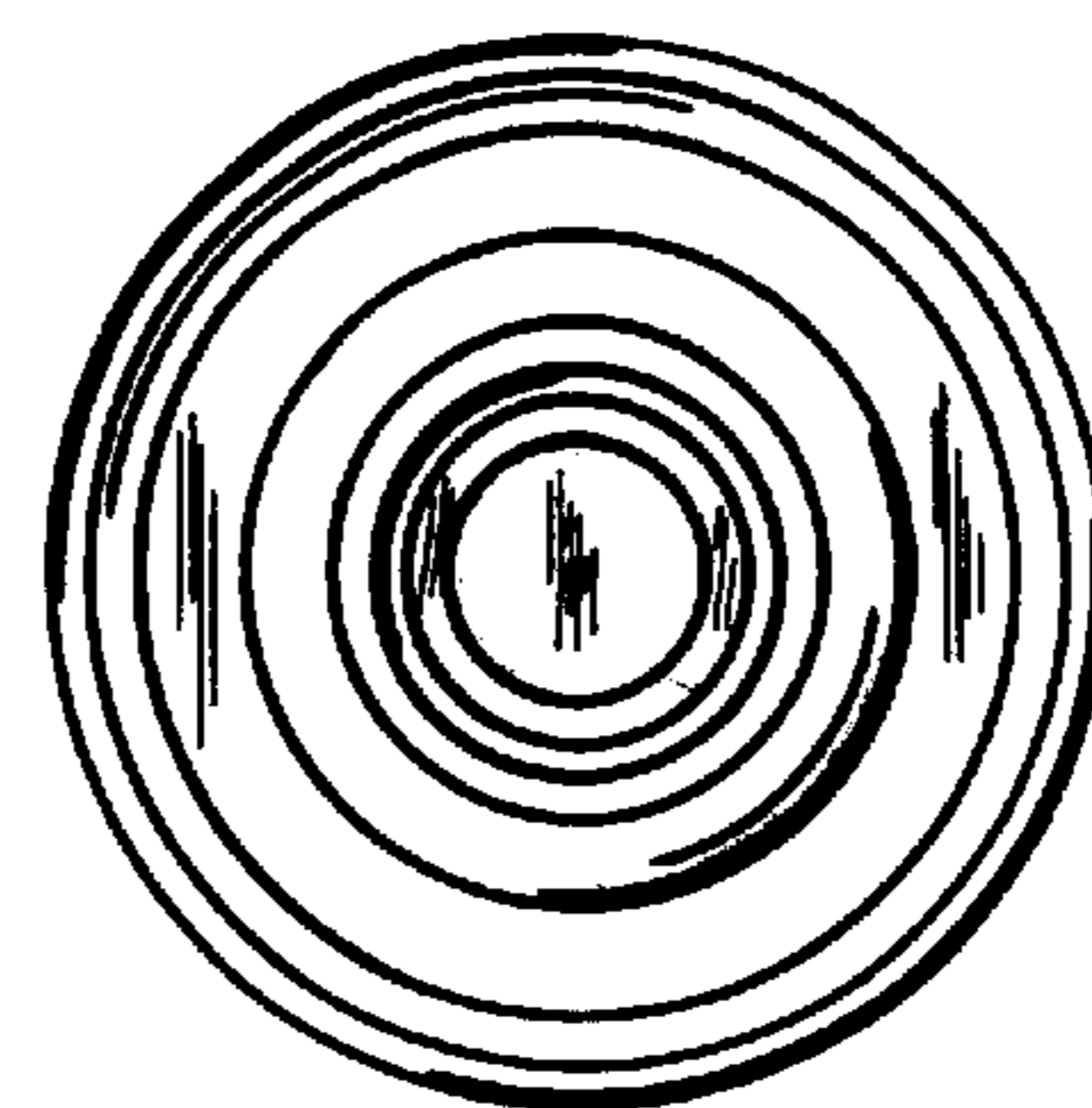
**FIG. 4**



**FIG. 2**



**FIG. 1**



**FIG. 3**