



US00D519530S

(12) **United States Design Patent** (10) **Patent No.:** **US D519,530 S**
Thysell et al. (45) **Date of Patent:** **** Apr. 25, 2006**

(54) **GRINDING TOOL**

(75) Inventors: **Håkan Thysell**, Söderköping (SE);
Sten Jeansson, Lingham (SE)

(73) Assignee: **HTC Sweden AB** (SE)

(**) Term: **14 Years**

(21) Appl. No.: **29/220,525**

(22) Filed: **Dec. 30, 2004**

(51) **LOC (8) Cl.** **15-09**

(52) **U.S. Cl.** **D15/126**

(58) **Field of Classification Search** D15/126;
D8/70; 83/589, 663, 676; 451/548-551
See application file for complete search history.

(56) **References Cited**

U.S. PATENT DOCUMENTS

970,619	A	*	9/1910	Gardner	451/548
5,454,752	A	*	10/1995	Sexton et al.	451/548
D486,839	S		2/2004	Sunagawa et al.		
D494,196	S		8/2004	Jeong		
D498,486	S		11/2004	Eisenblaetter		

* cited by examiner

Primary Examiner—Antoine D. Davis

Assistant Examiner—Patricia Palasik

(74) *Attorney, Agent, or Firm*—Moore & Van Allen PLLC;
Michael G. Johnston

(57) **CLAIM**

The ornamental design for a grinding tool, as shown and described.

DESCRIPTION

FIG. 1 is a bottom plan view of the grinding tool shown in FIG. 1 showing our new design.

FIG. 2 is a front elevation view of the grinding tool shown in FIG. 1 showing our new design.

FIG. 3 is a top plan view of the grinding tool shown in FIG. 1 showing our new design.

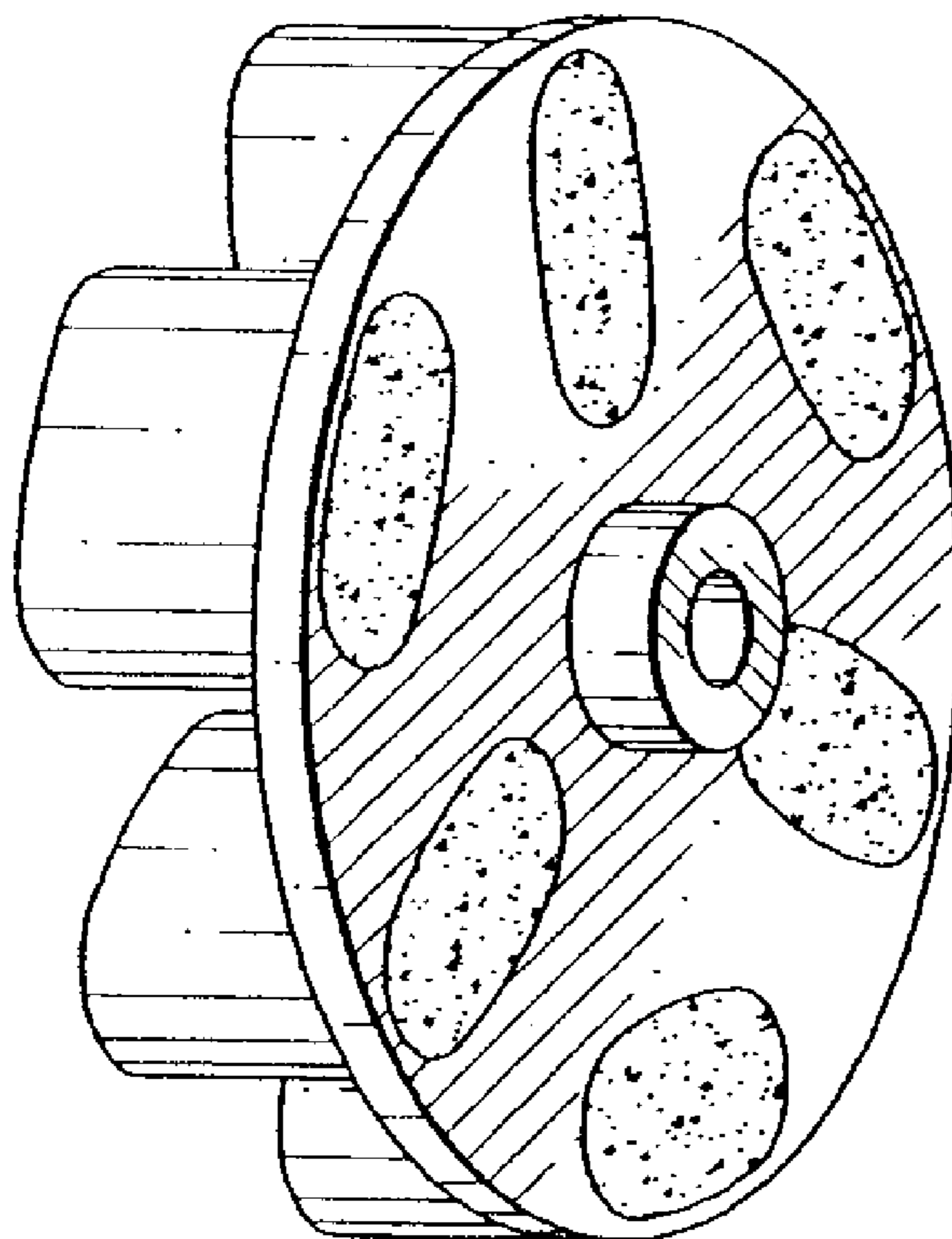
FIG. 4 is a left side view of the grinding tool shown in FIG. 1 showing our new design.

FIG. 5 is a top perspective view of a grinding tool showing our new design.

FIG. 6 is a bottom perspective view of the grinding tool shown in FIG. 1 showing our new design; and,

FIG. 7 is another bottom perspective view of the grinding tool shown in FIG. 1 showing our new design.

1 Claim, 2 Drawing Sheets



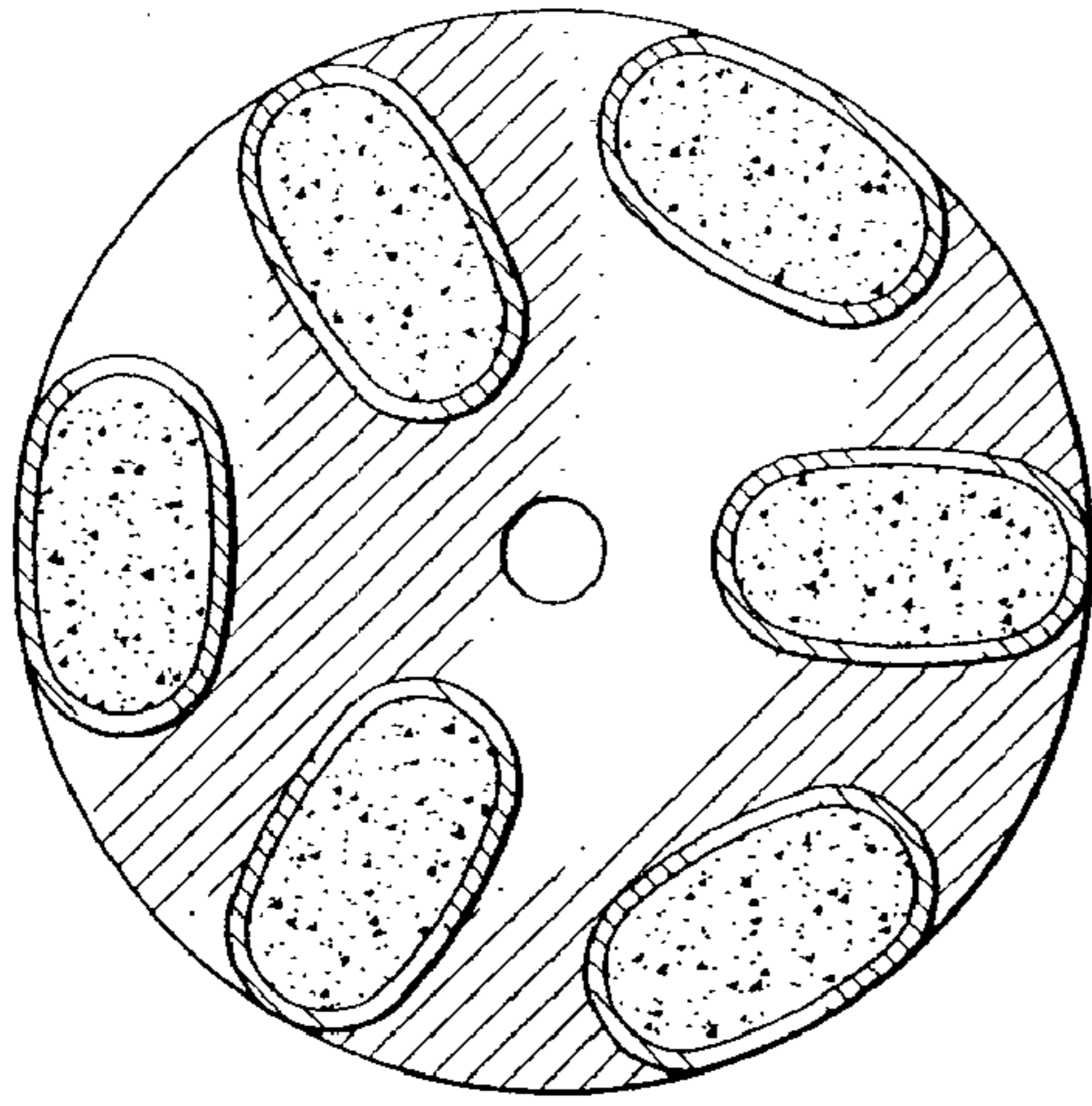


FIG. 1

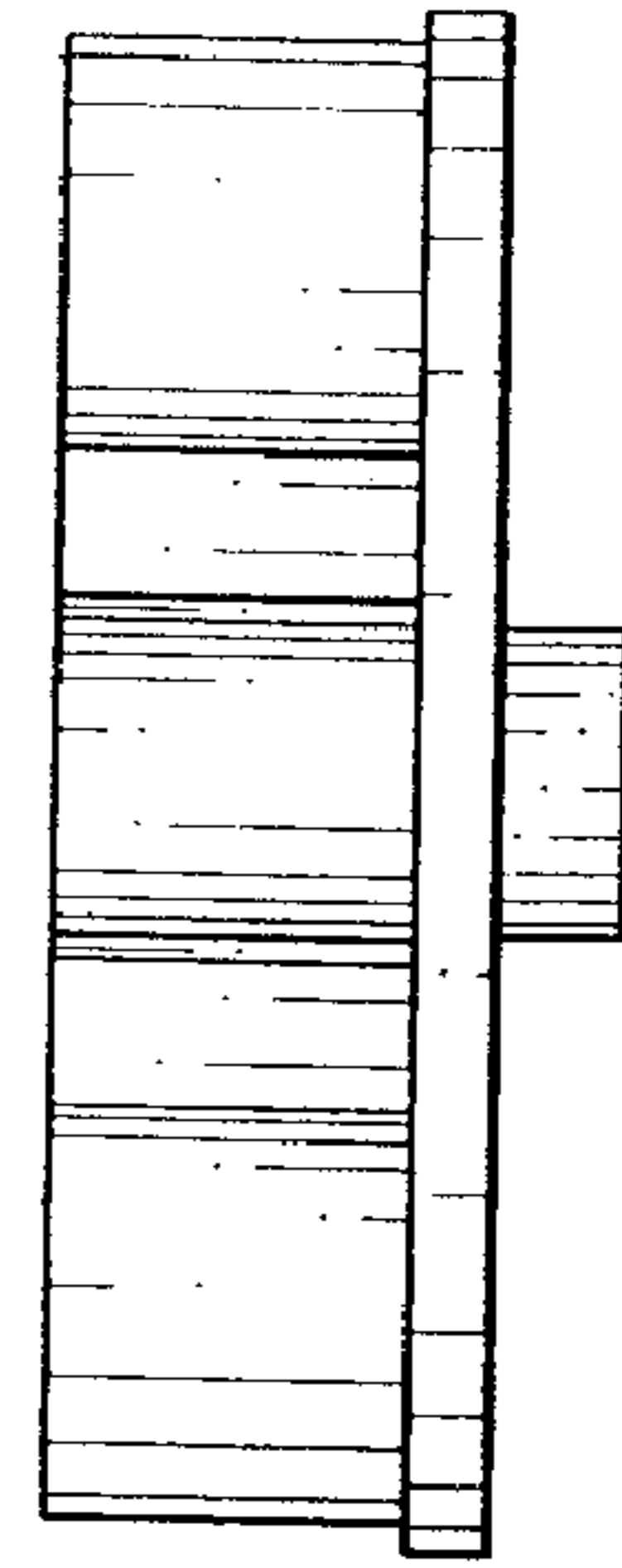


FIG. 4

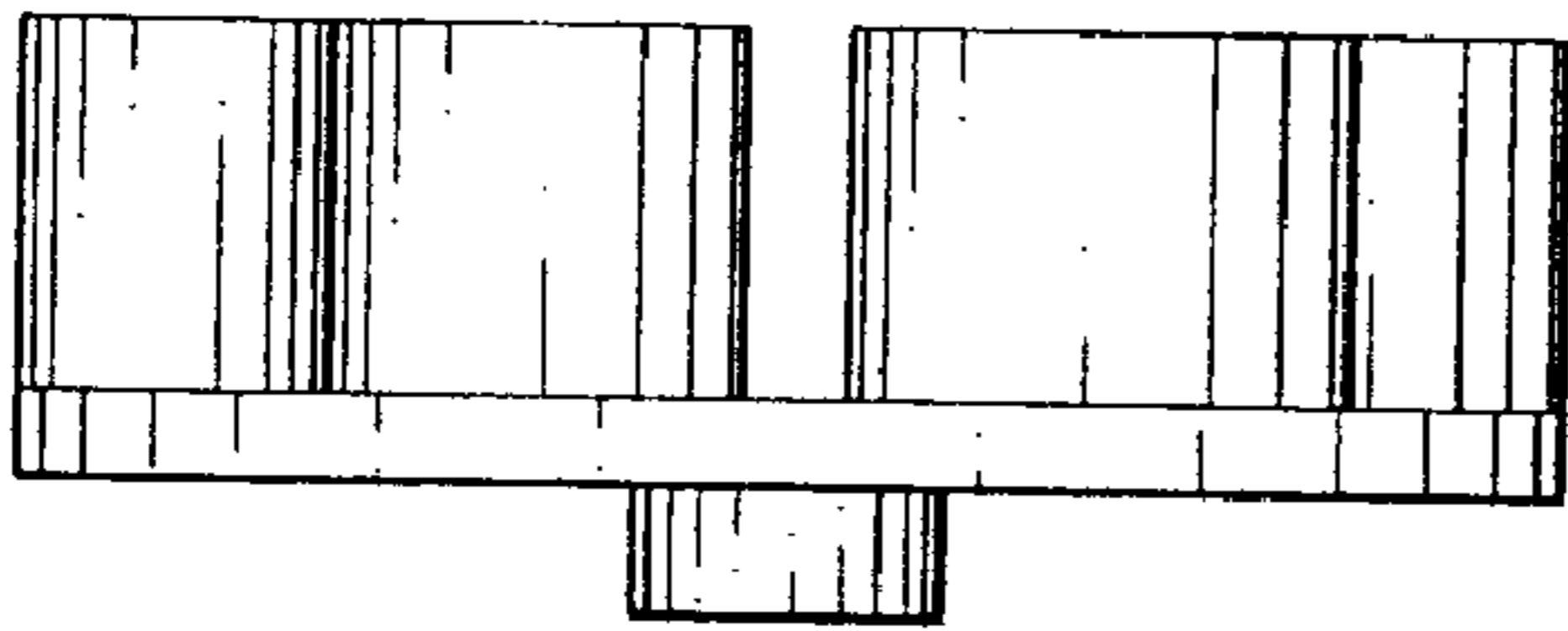


FIG. 2

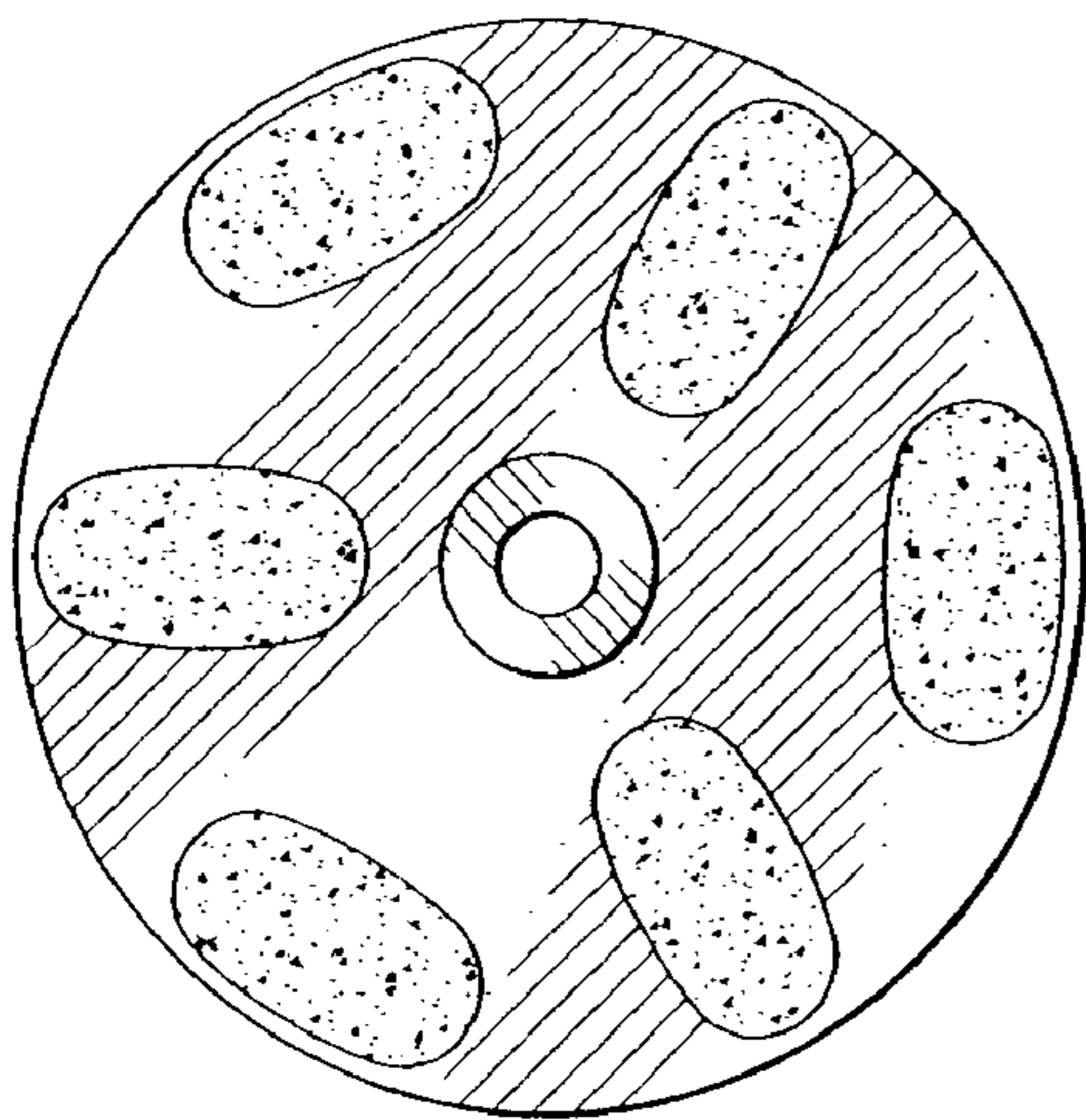


FIG. 3

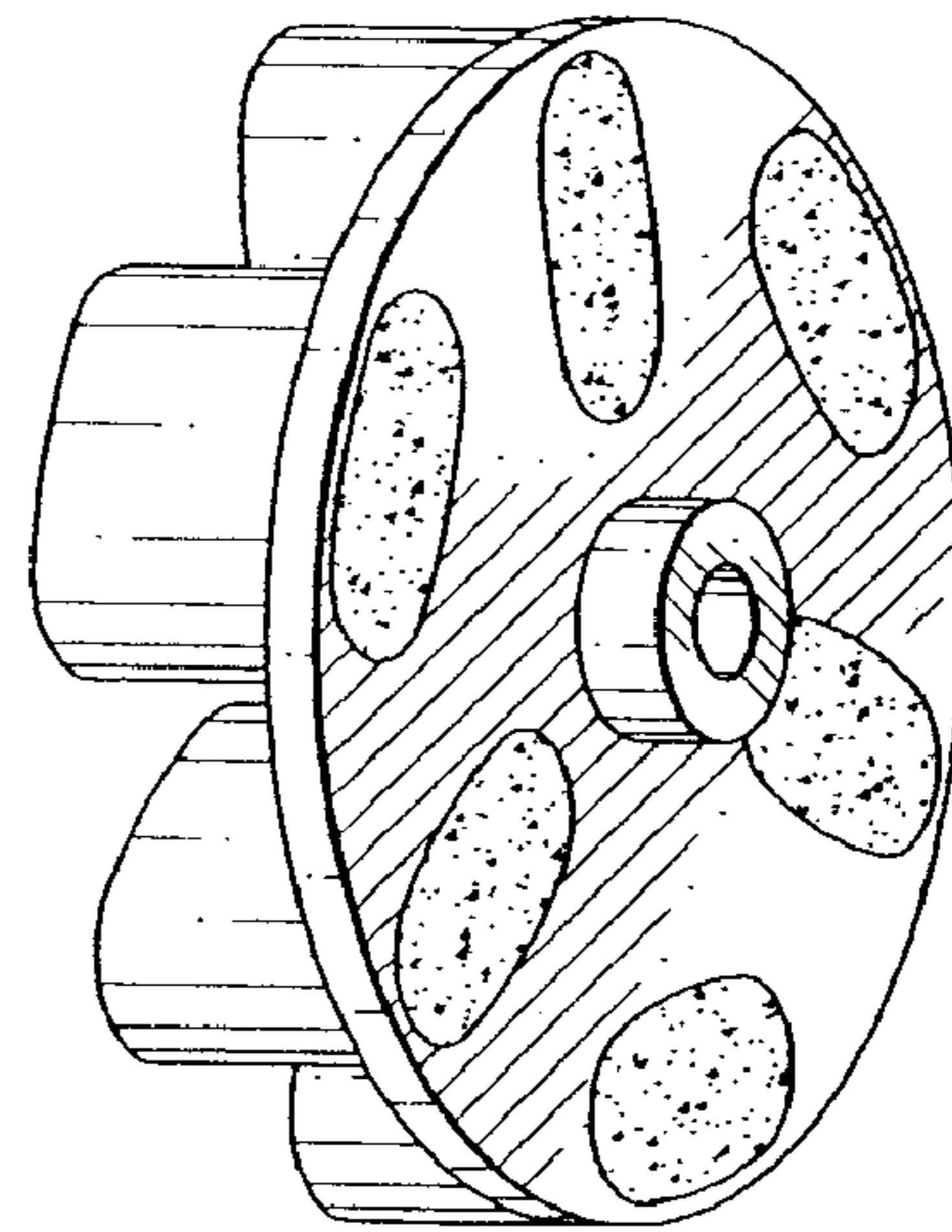


FIG. 5

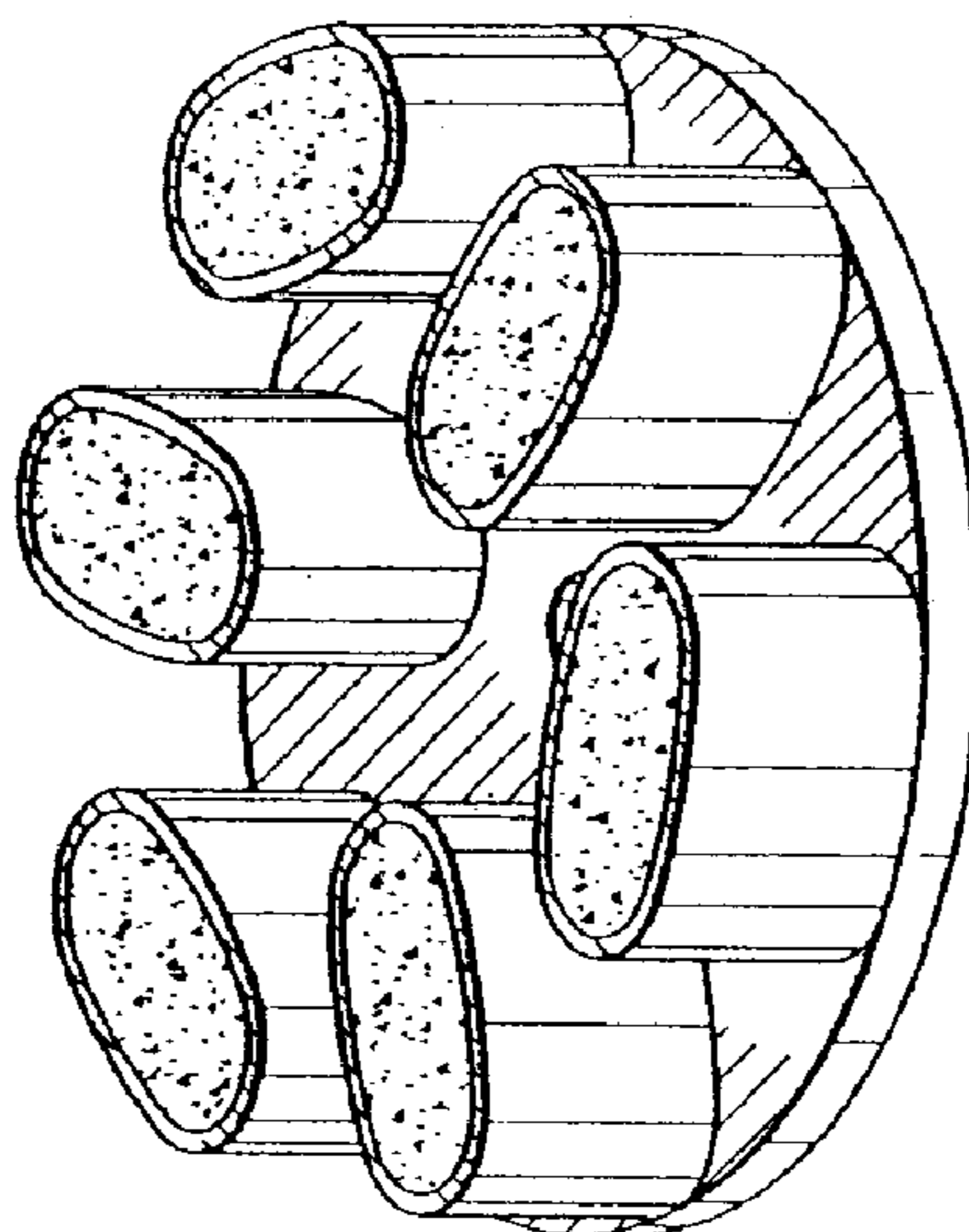


FIG. 6

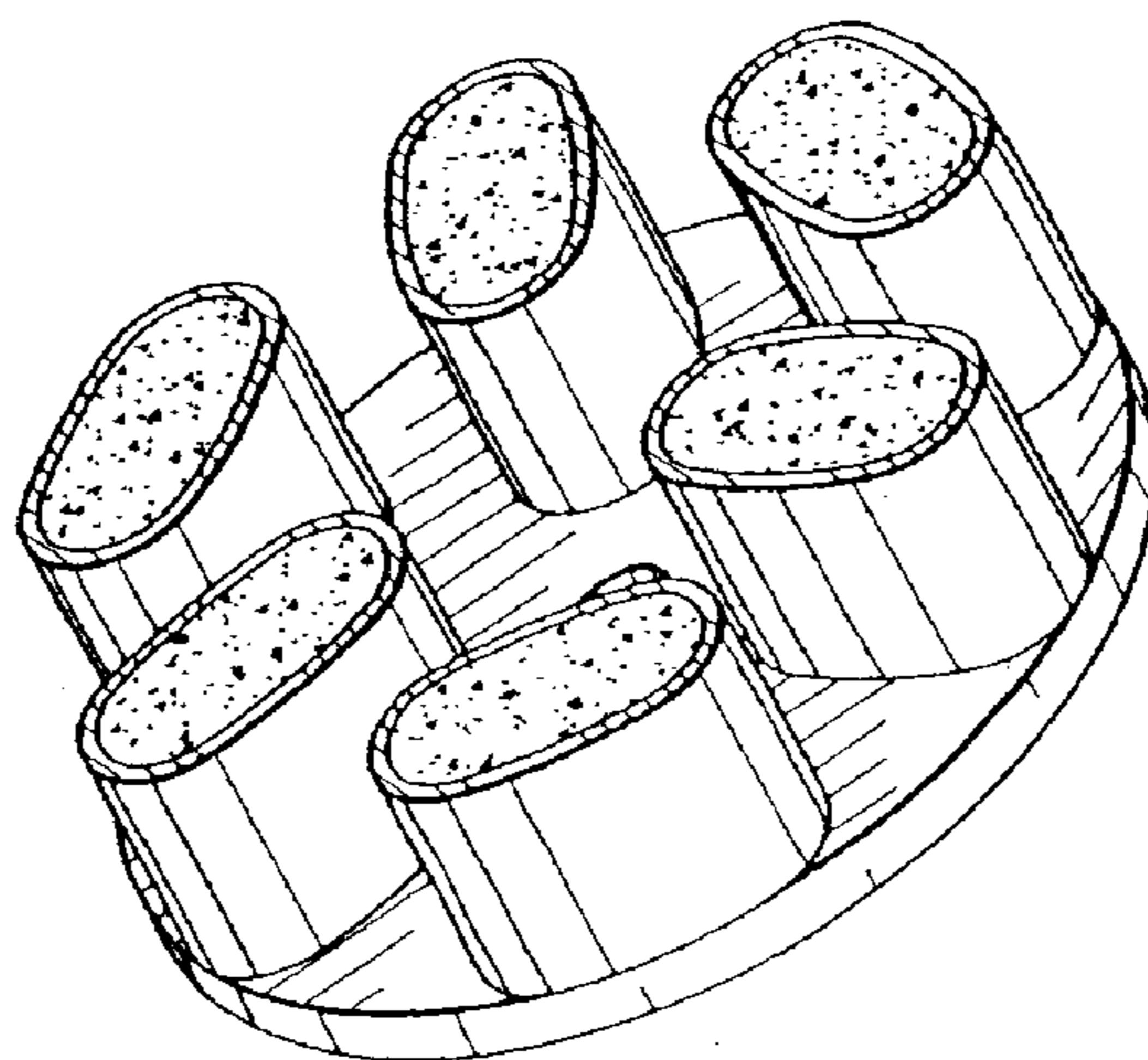


FIG. 7