



US00D519525S

(12) **United States Design Patent**
Verley

(10) **Patent No.:** **US D519,525 S**

(45) **Date of Patent:** **** Apr. 25, 2006**

(54) **PUMP DESIGN**

(76) **Inventor:** **Eric Thiriez Verley**, Calle 6 #11-36,
Castillo Grande, Cartagena (CO)

(**) **Term:** **14 Years**

(21) **Appl. No.:** **29/209,590**

(22) **Filed:** **Jul. 15, 2004**

(51) **LOC (8) Cl.** **15-02**

(52) **U.S. Cl.** **D15/7**

(58) **Field of Classification Search** D15/7-9;
D23/231, 232; 417/410.1, 359, 415-416,
417/234, 321, 265, 405
See application file for complete search history.

(56) **References Cited**

U.S. PATENT DOCUMENTS

D237,011 S * 9/1975 Stroberg et al. D15/7
D258,210 S * 2/1981 Shure D15/7

D351,602 S * 10/1994 Rosebraugh et al. D15/7
D491,577 S * 6/2004 Akimoto et al. D15/7
D491,957 S * 6/2004 Fang D15/7
D505,681 S * 5/2005 Rossman et al. D15/7

* cited by examiner

Primary Examiner—Ralf Seifert

(74) *Attorney, Agent, or Firm*—Malloy & Malloy, P.A.

(57) **CLAIM**

The ornamental design for pump design, as shown and described.

DESCRIPTION

FIG. 1 is a front perspective view illustrating my design for a pump design;

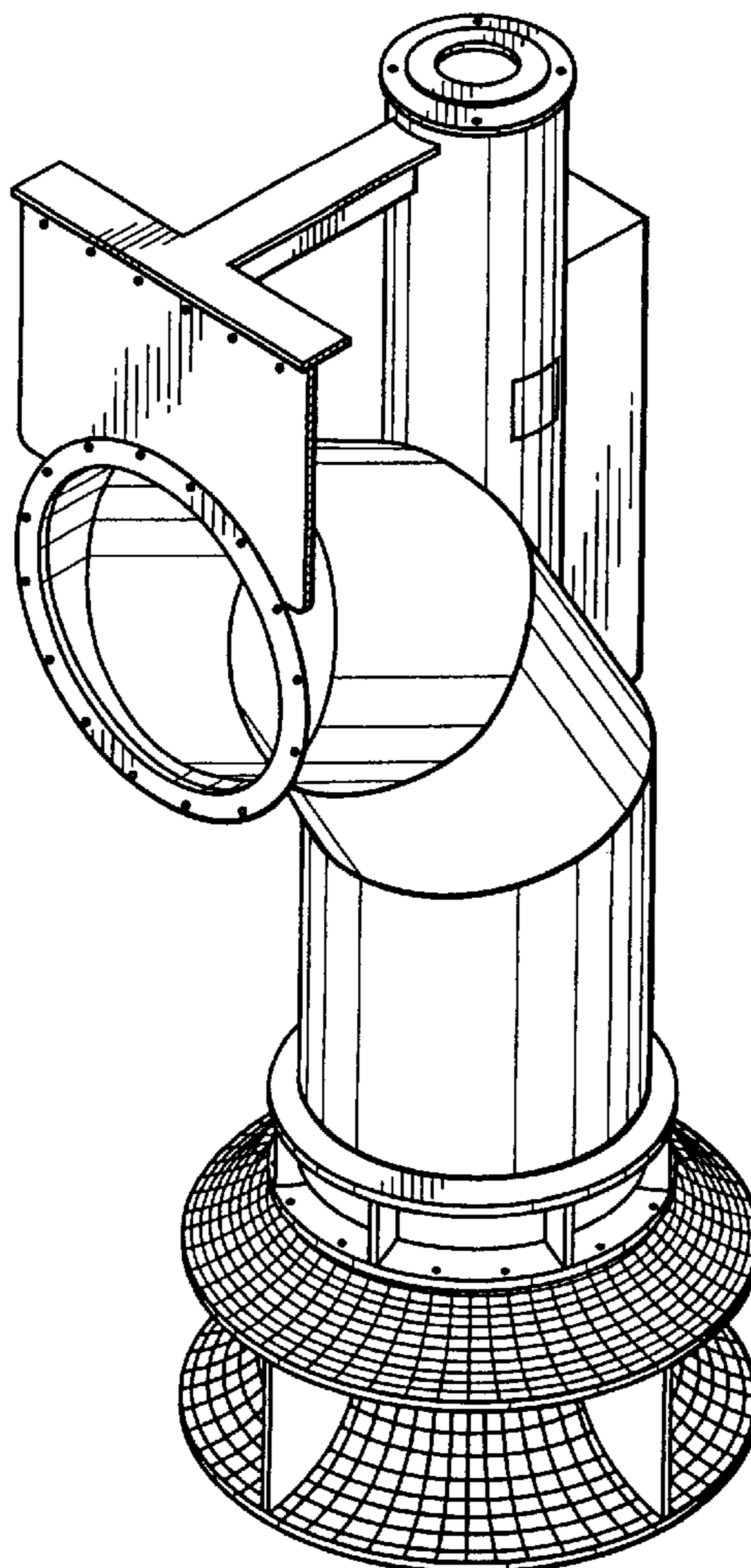
FIG. 2 is a front view thereof;

FIG. 3 is a left side view thereof;

FIG. 4 is a top view thereof; and,

FIG. 5 is a right side view thereof.

1 Claim, 3 Drawing Sheets



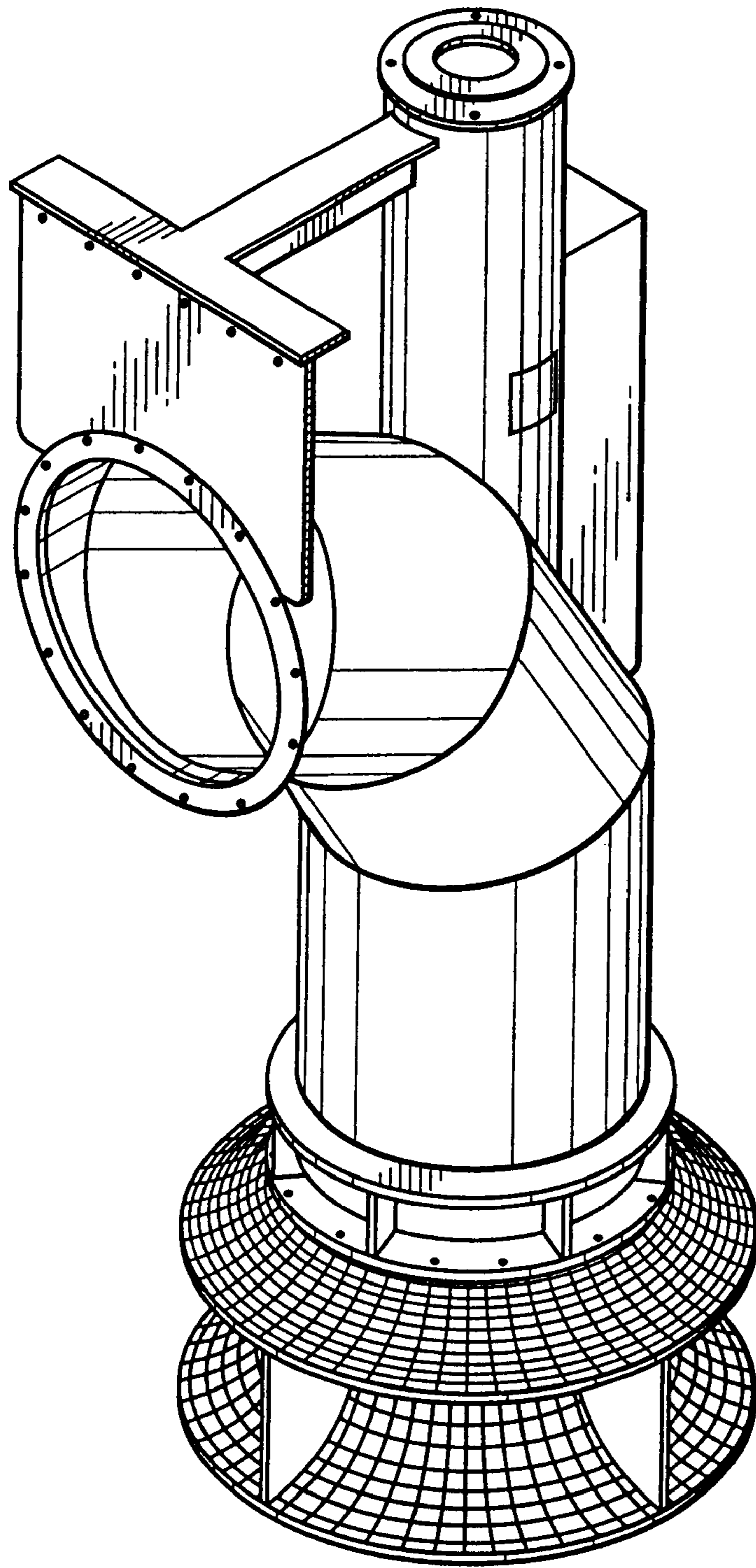


FIG. 1

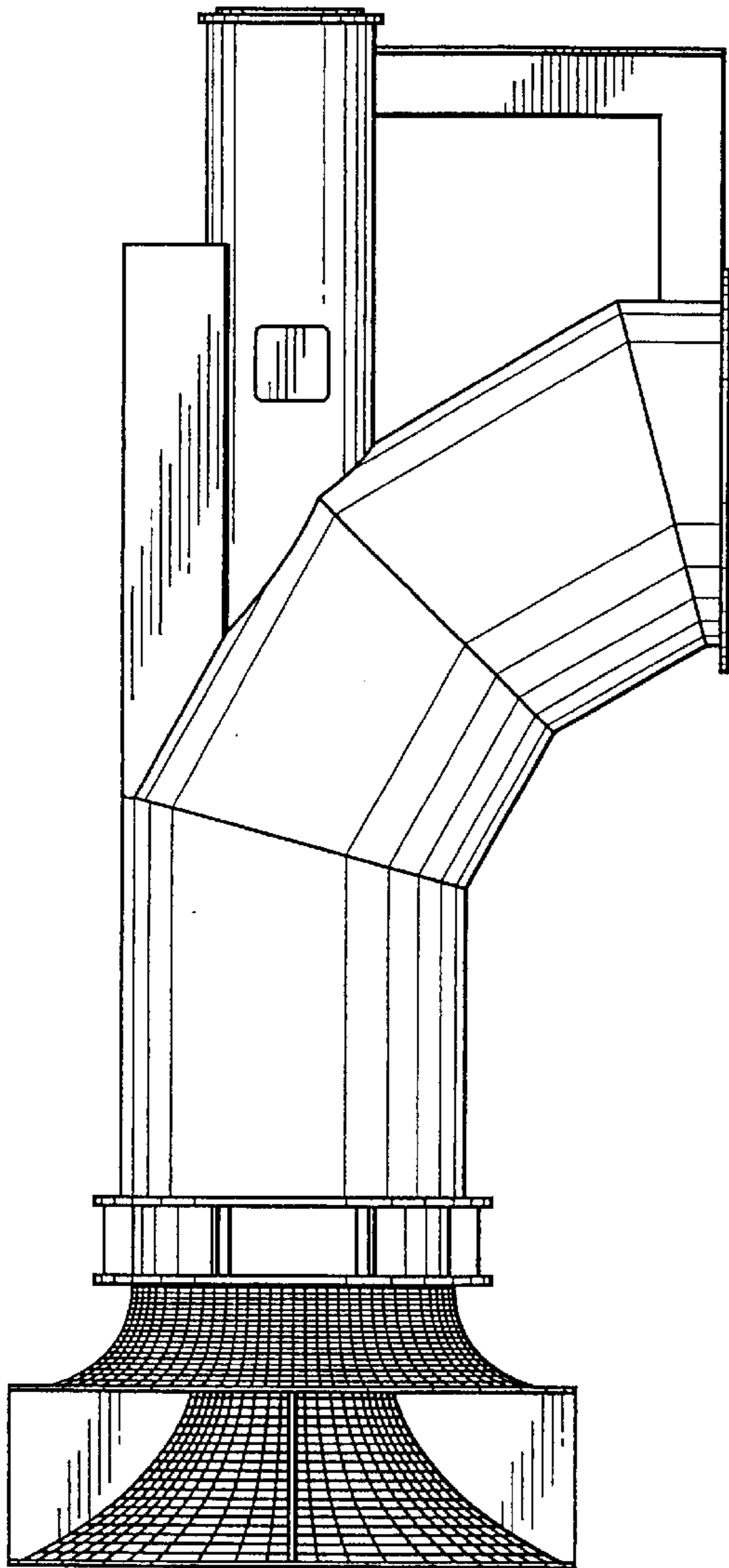


FIG. 3

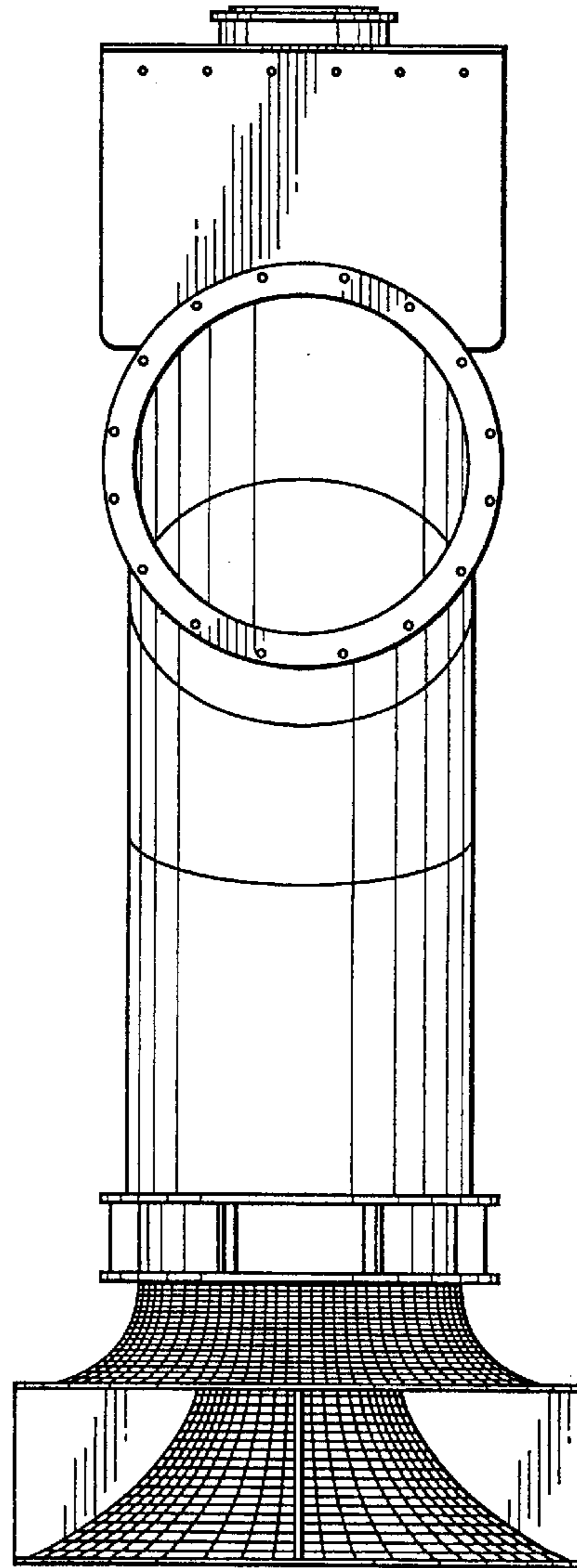


FIG. 2

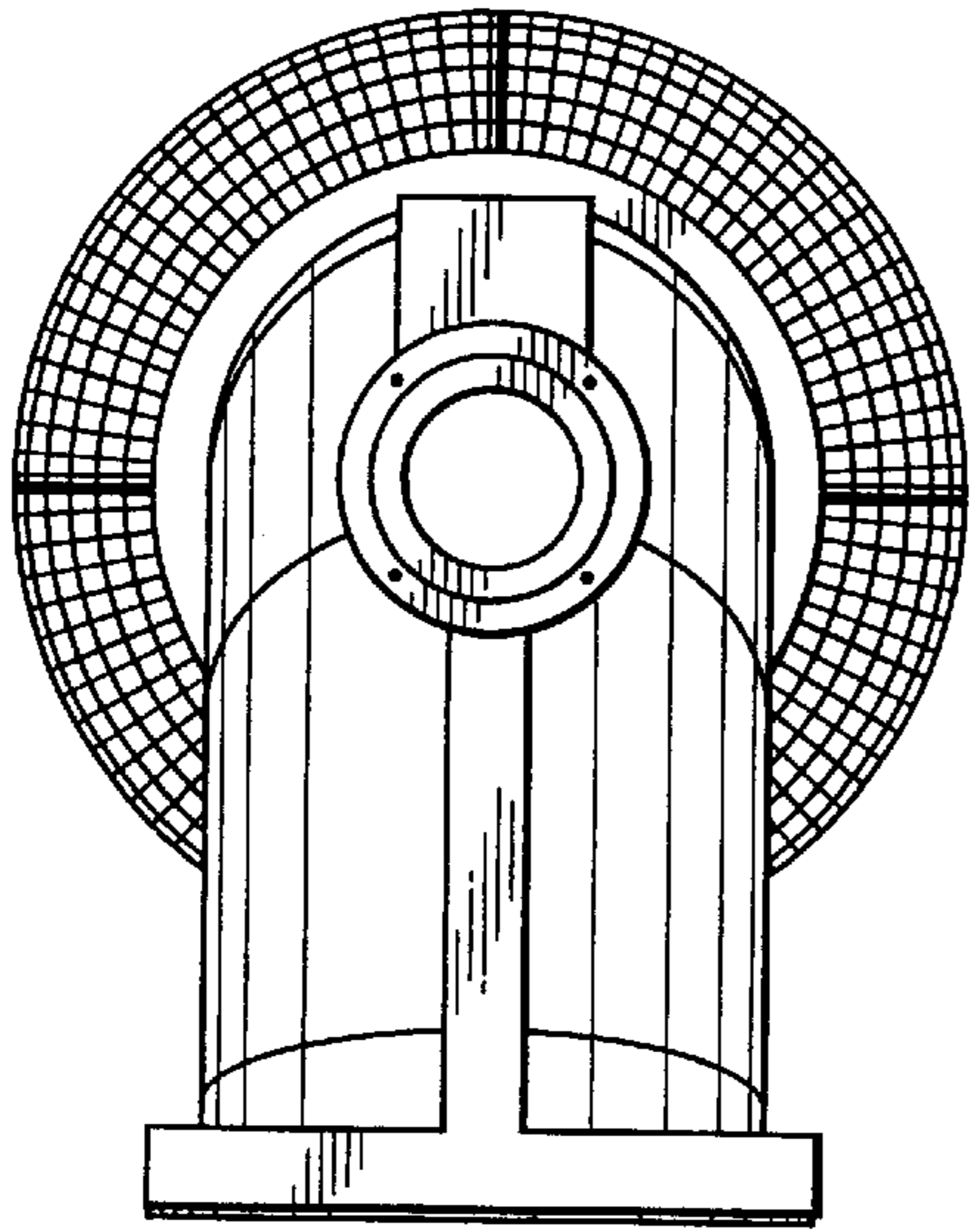


FIG. 4

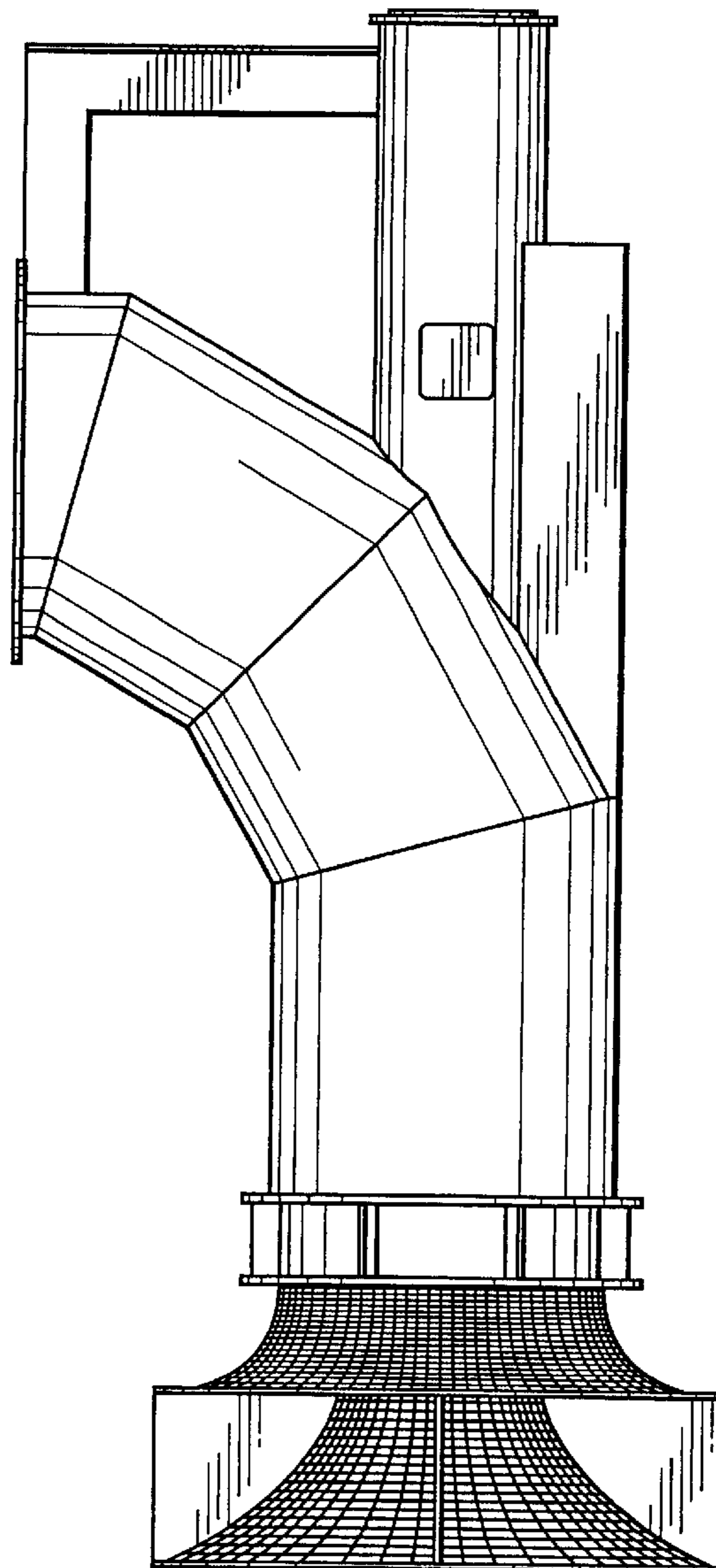


FIG. 5