



US00D519524S

(12) **United States Design Patent** (10) **Patent No.:** **US D519,524 S**
Sanschagrín et al. (45) **Date of Patent:** **** Apr. 25, 2006**

(54) **COWLING ELEMENT**

(75) Inventors: **Stéphane Sanschagrín**, St-Hyacinthe (CA); **Pierre Vignau**, Montreal (CA)

(73) Assignee: **BRP US Inc.**, Sturtevant, WI (US)

(**) Term: **14 Years**

(21) Appl. No.: **29/188,593**

(22) Filed: **Aug. 21, 2003**

Related U.S. Application Data

(63) Continuation-in-part of application No. 29/175,384, filed on Feb. 4, 2003, now Pat. No. Des. 484,144, which is a continuation of application No. 29/159,706, filed on Apr. 26, 2002, now Pat. No. Des. 474,784.

(51) **LOC (8) Cl.** **15-01**

(52) **U.S. Cl.** **D15/4**

(58) **Field of Classification Search** D15/1-5;
440/3-6, 52, 84, 88; 123/495; 290/43-46,
290/54

See application file for complete search history.

(56) **References Cited**

U.S. PATENT DOCUMENTS

D272,358 S	*	1/1984	Hall et al.	D15/4
D412,911 S		8/1999	Iekura		
D418,519 S		1/2000	Iekura		
D422,599 S		4/2000	Iekura		
D428,616 S		7/2000	Iekura		
D453,772 S		2/2002	Burmeister et al.		
D457,166 S		5/2002	Burmesiter et al.		
D458,273 S		6/2002	Burmeister et al.		
D463,448 S	*	9/2002	Osumi et al.	D15/4
D470,154 S	*	2/2003	Burmeister et al.	D15/4
D474,784 S		5/2003	Sanschagrín et al.		
D478,597 S	*	8/2003	Zebley, Jr.	D15/4

OTHER PUBLICATIONS

<http://www.evinrude.com/evinrude/web/jsp/mainPage.jsp?Params=N.US.200001.0>, Copyright 2001.

<http://www.evinrude.com/evinrude/web/jsp/mainPage.jsp?Params=N.US.200002.0>, Copyright 2001.

<http://www.evinrude.com/evinrude/web/jsp/mainPage.jsp?Params=N.US.200003.0>, Copyright 2001.

<http://www.evinrude.com/evinrude/web/jsp/mainPage.jsp?Params=N.US.200004.0>, Copyright 2001.

(Continued)

Primary Examiner—Caron D. Veynar

Assistant Examiner—Maurice Stevens

(74) *Attorney, Agent, or Firm*—Osler, Hoskin & Harcourt, LLP

(57) **CLAIM**

The ornamental design for a cowling element, as shown and described.

DESCRIPTION

FIG. 1 is a perspective illustration, from the rear, left side of a cowling element thereof showing our new design;

FIG. 2 is a perspective illustration, from the front, left side of the embodiment illustrated in FIG. 1;

FIG. 3 is a rear view of the embodiment illustrated in FIG. 1;

FIG. 4 is a left side view of the embodiment illustrated in FIG. 1, the right side being a mirror image;

FIG. 5 is a front view of the embodiment illustrated in FIG. 1;

FIG. 6 is a top view of the embodiment illustrated in FIG. 1;

FIG. 7 is a perspective illustration, from the rear, left side of a cowling element thereof showing our new design;

FIG. 8 is a perspective illustration, from the front, left side of the embodiment illustrated in FIG. 7;

FIG. 9 is a rear view of the embodiment illustrated in FIG. 7;

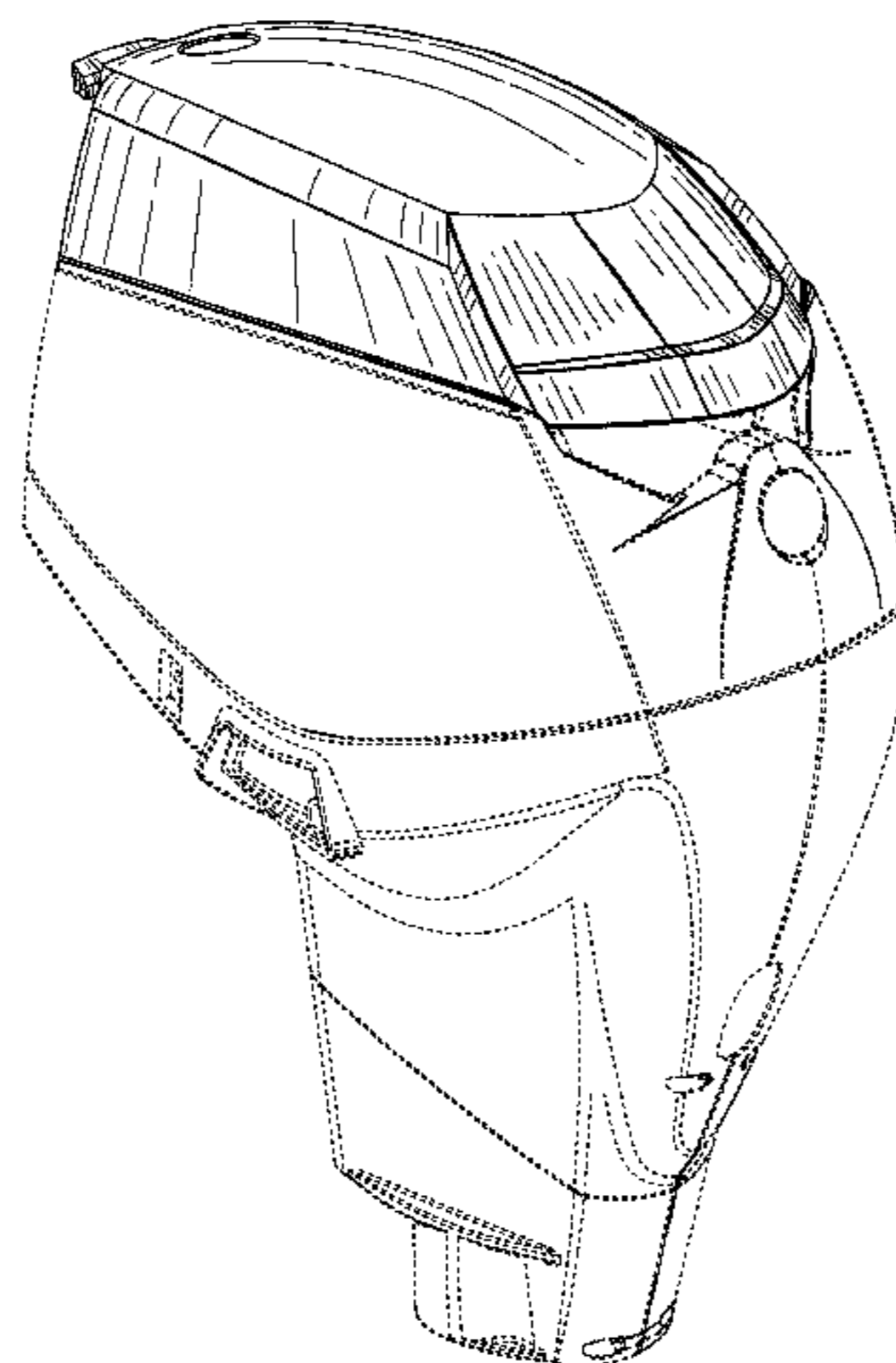
FIG. 10 is a left side view of the embodiment illustrated in FIG. 7, the right side being a mirror image;

FIG. 11 is a front view of the embodiment illustrated in FIG. 7; and,

FIG. 12 is a top view of the embodiment illustrated in FIG. 7.

Where included, broken lines showing environment or structure are for illustrative purposes only and form no part of the claimed design.

1 Claim, 12 Drawing Sheets



OTHER PUBLICATIONS

<http://www.johnson.com/Johnson/web/jsp/mainPage.jsp?Params=N.US.200008.0>, Copyright 2001.
<http://www.johnson.com/Johnson/web/jsp/mainPage.jsp?Params=N.US.200009.0>, Copyright 2001.
<http://www.johnson.com/Johnson/web/jsp/mainPage.jsp?Params=N.US.200001.0>, Copyright 2001.
<http://www.johnson.com/Johnson/web/jsp/mainPage.jsp?Params=N.US.200002.0>, Copyright 2001.
<http://www.johnson.com/Johnson/web/jsp/mainPage.jsp?Params=N.US.200004.0>, Copyright 2001.
<http://www.johnson.com/Johnson/web/jsp/mainPage.jsp?Params=N.US.200005.0>, Copyright 2001.

<http://www.hondabf225.com/bf225.htm>, Copyright 2000.
<http://www.honda-marine.com/bf225.htm>, Copyright 2000.
<http://www.honda-marine.com/bf130.htm>, Copyright 2000.
<http://www.honda-marine.com/bf90.htm>, Copyright 2000.
<http://www.honda-marine.com/bf50.htm>, Copyright 2000.
<http://www.honda-marine.com/bf40.htm>, Copyright 2000.
<http://www.honda-marine.com/bf30.htm>, Copyright 2000.
<http://www.honda-marine.com/bf15.htm>, Copyright 2000.
<http://www.honda-marine.com/bf9.9.htm>, Copyright 2000.
<http://www.honda-marine.com/bf8.htm>, Copyright 2000.
<http://www.honda-marine.com/bf5.htm>, Copyright 2000.
<http://www.honda-marine.com/bf2.htm>, Copyright 2000.

* cited by examiner

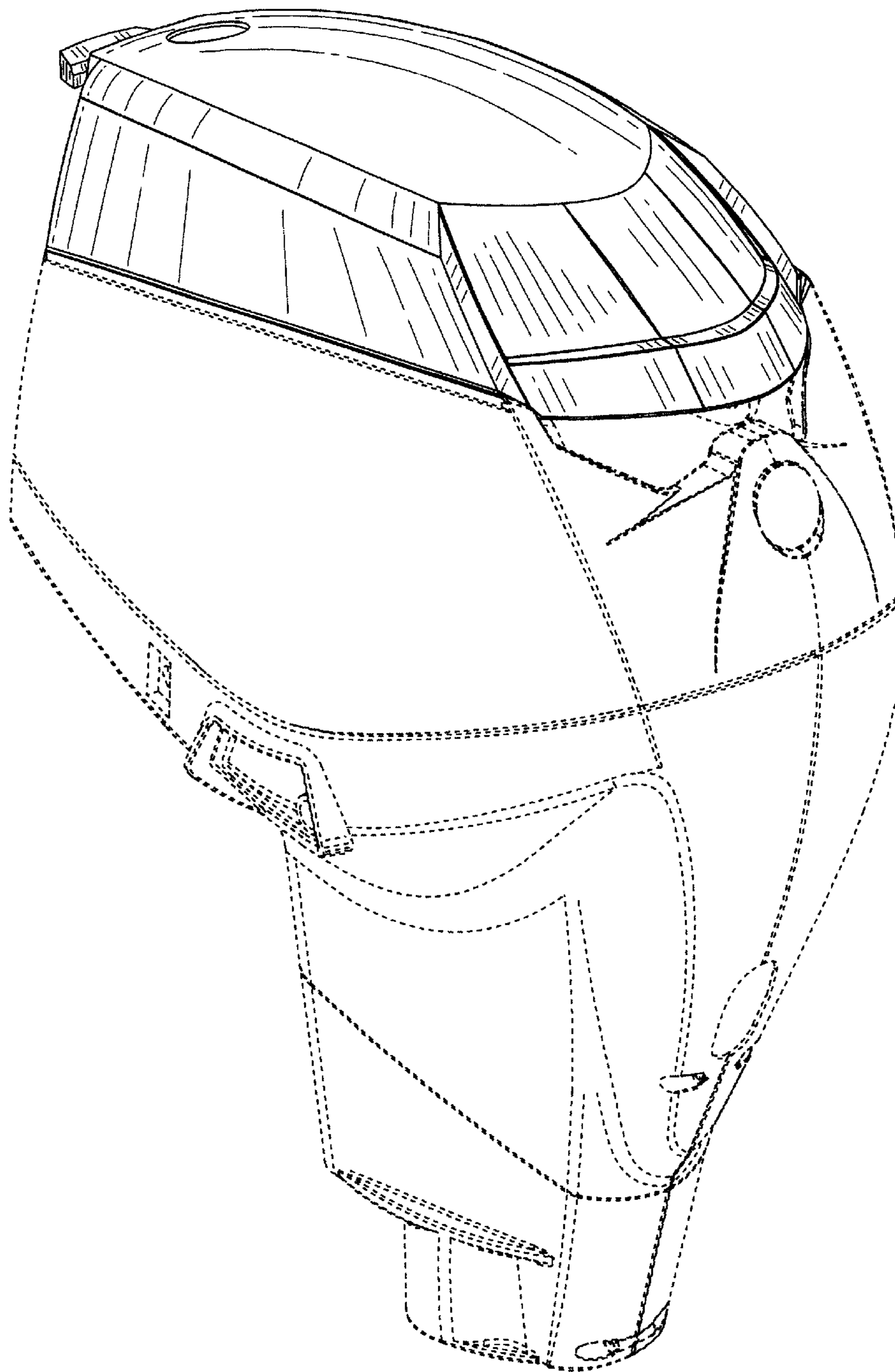


FIG. 1

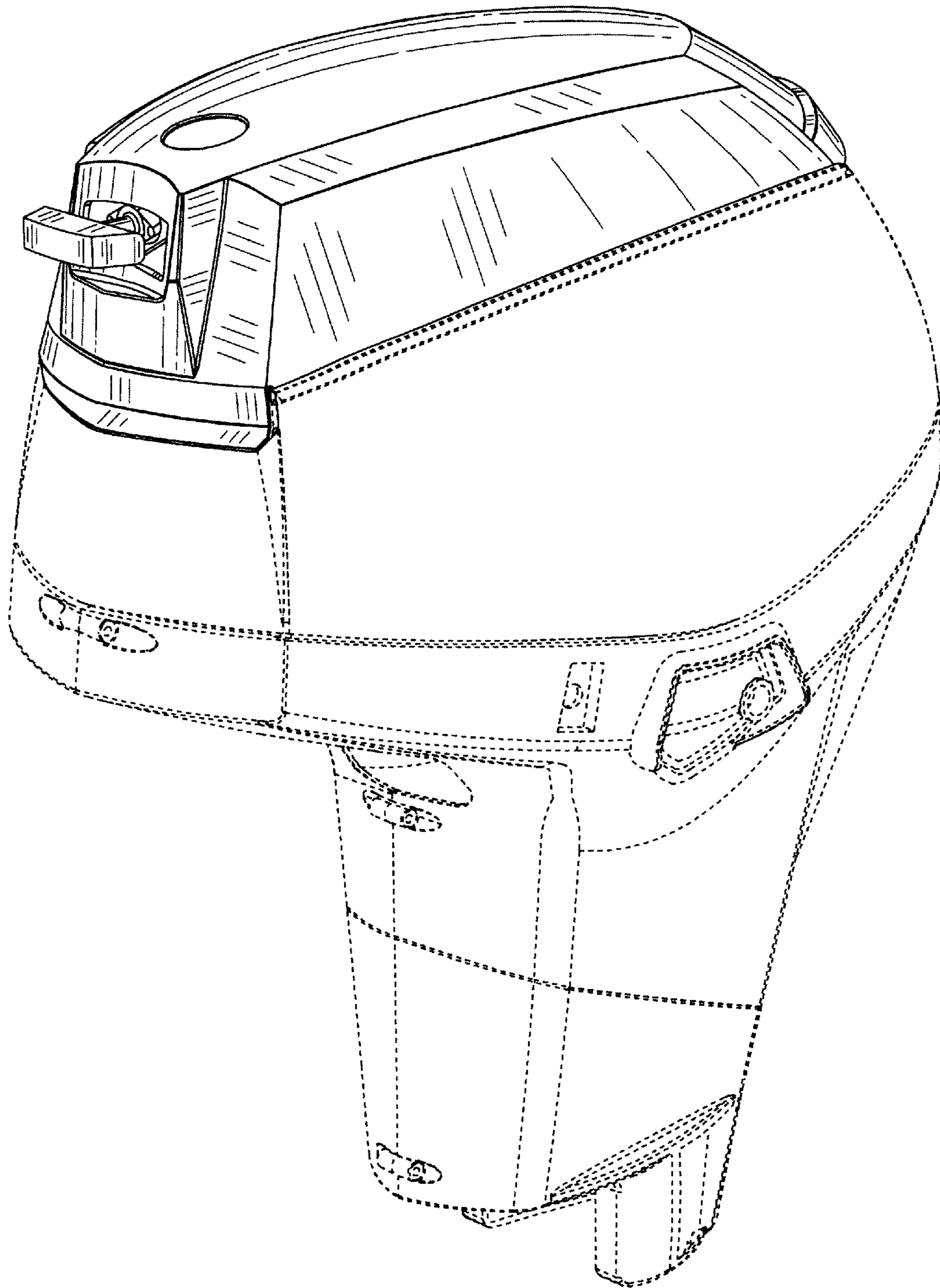


FIG. 2

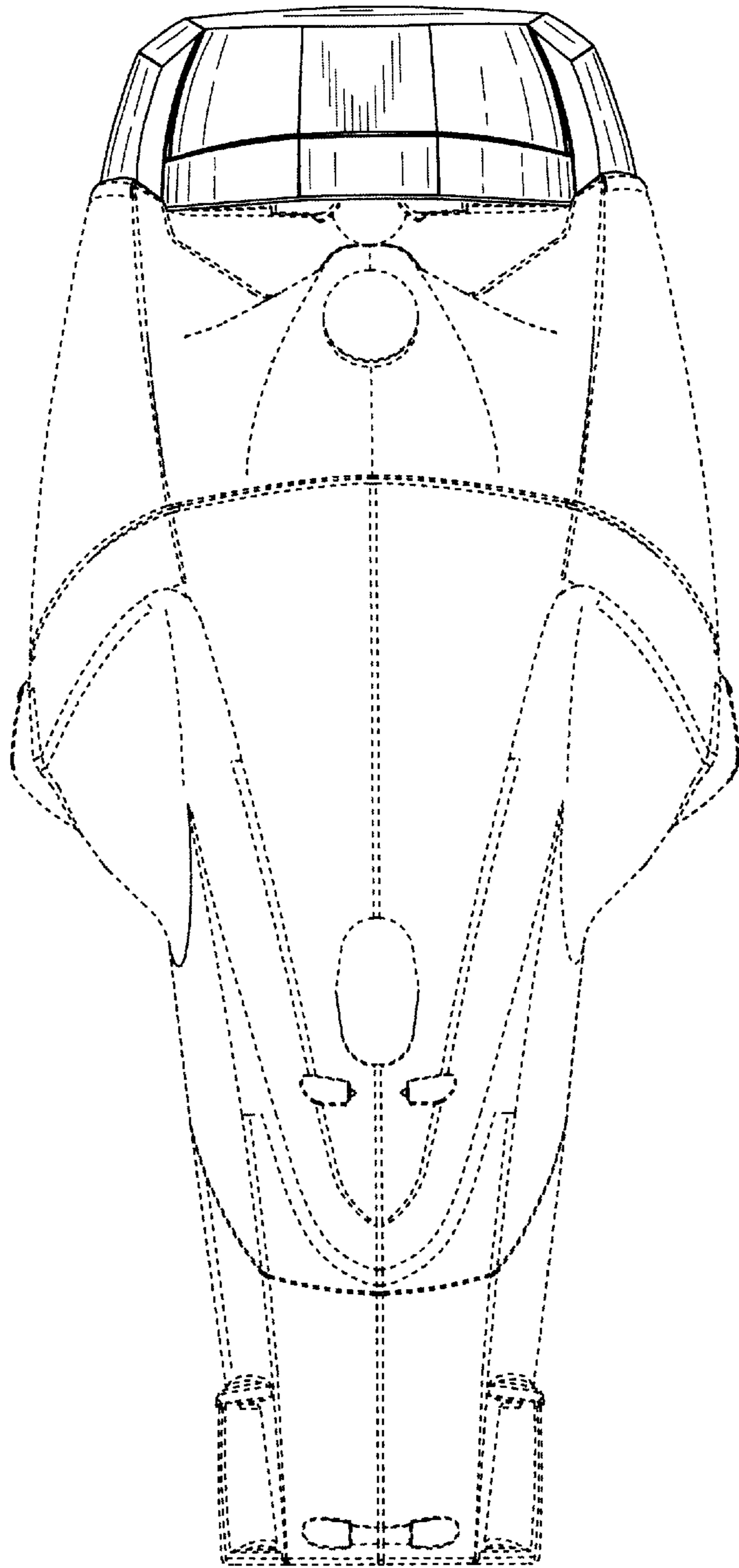


FIG. 3

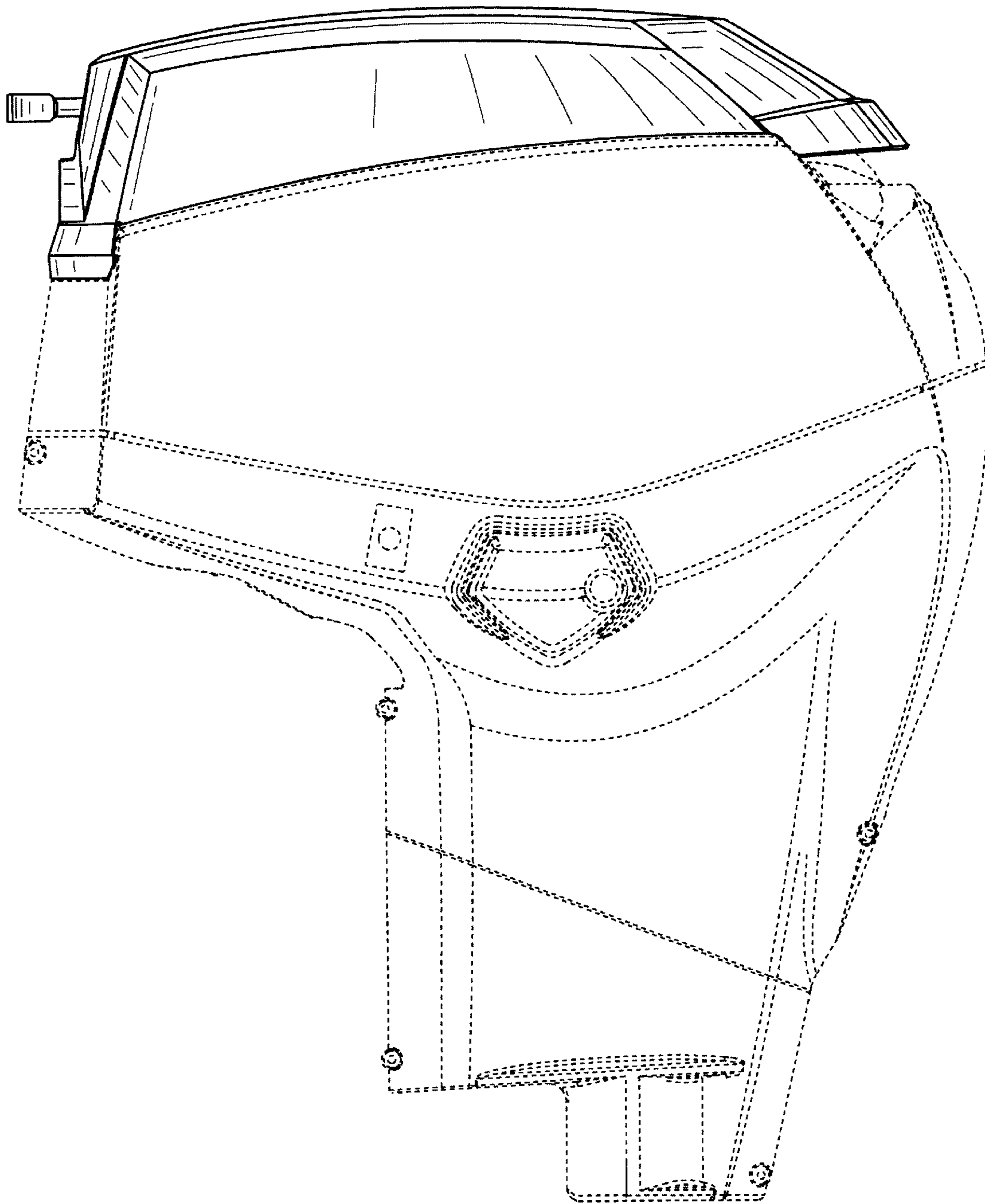


FIG. 4

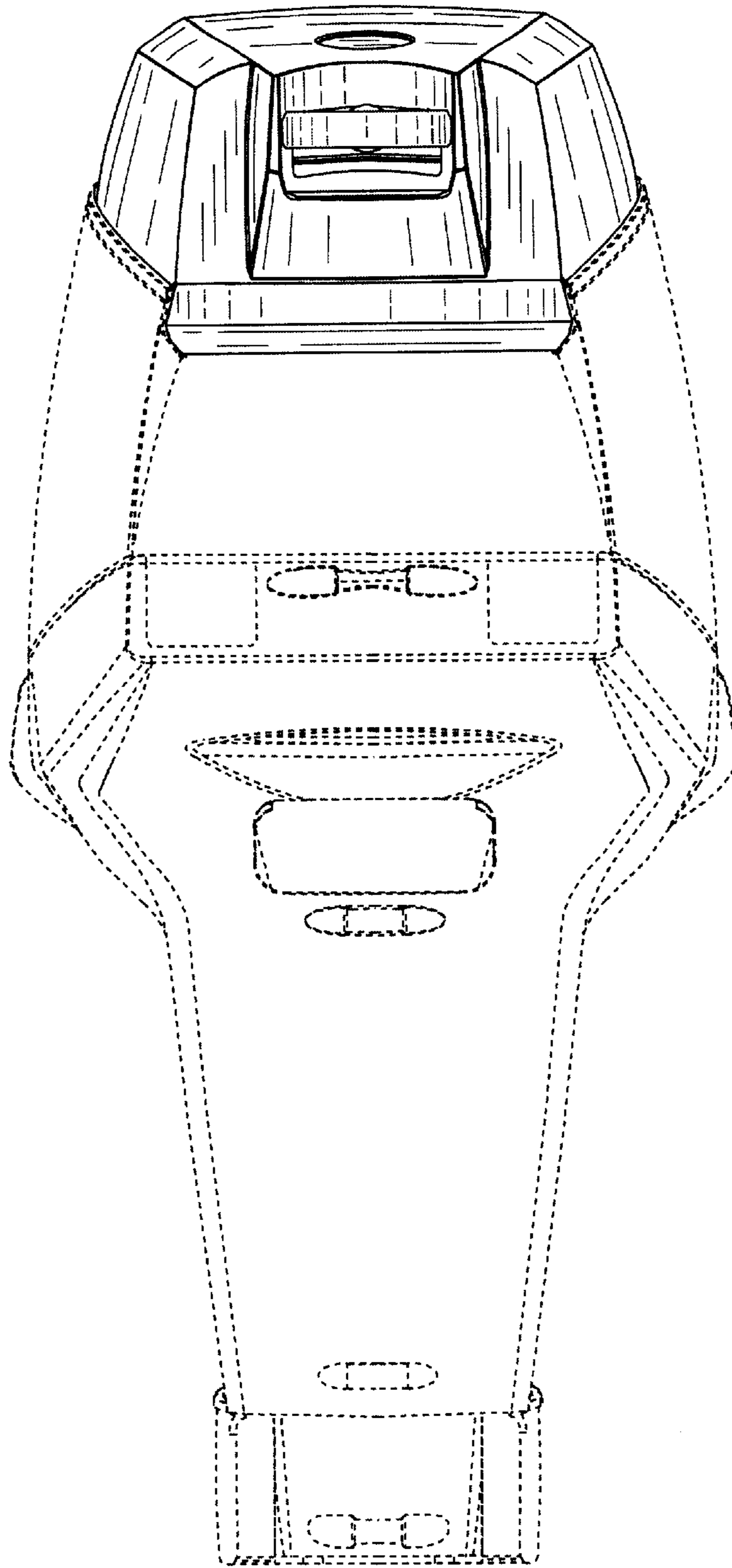


FIG. 5

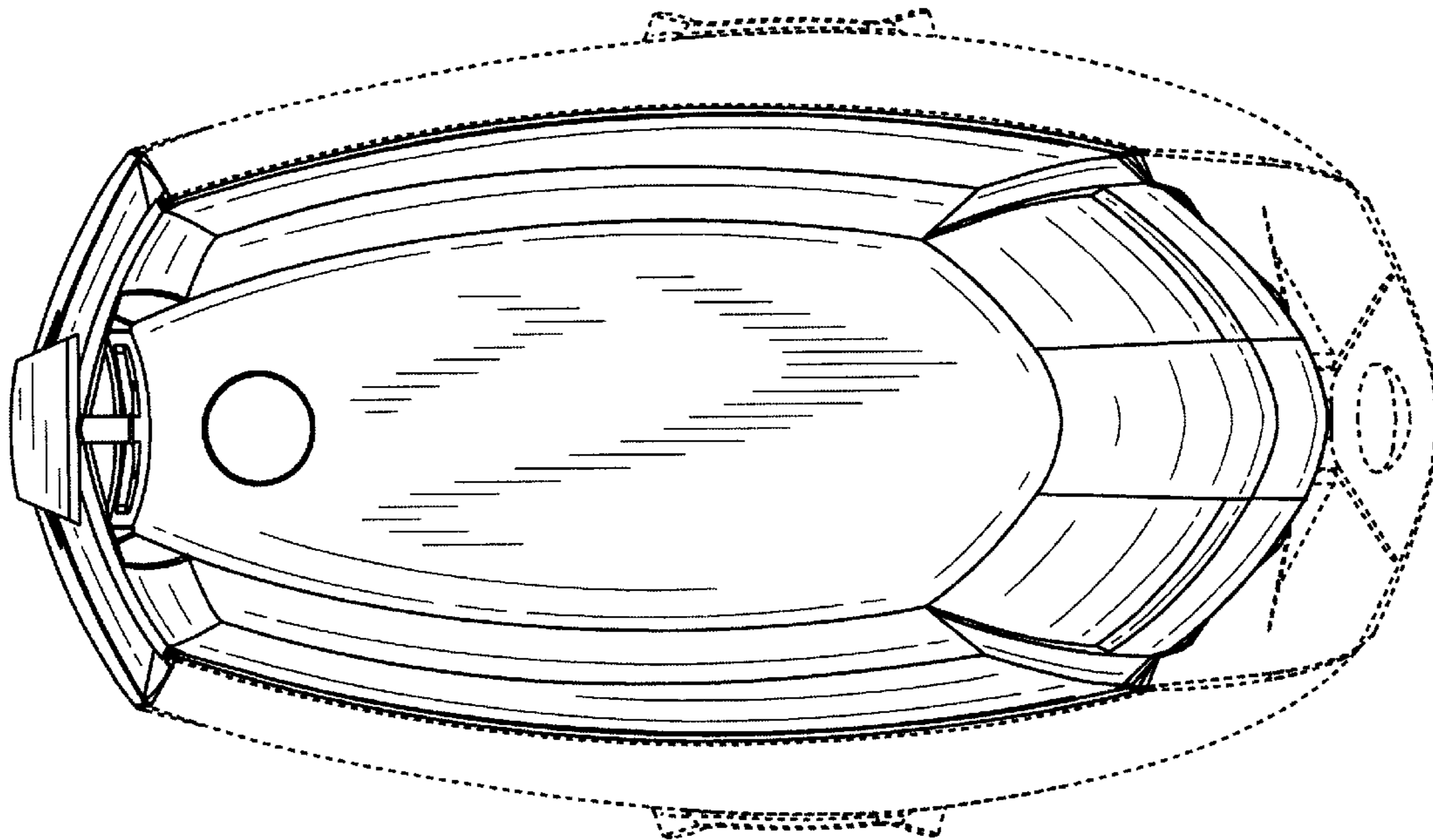


FIG. 6

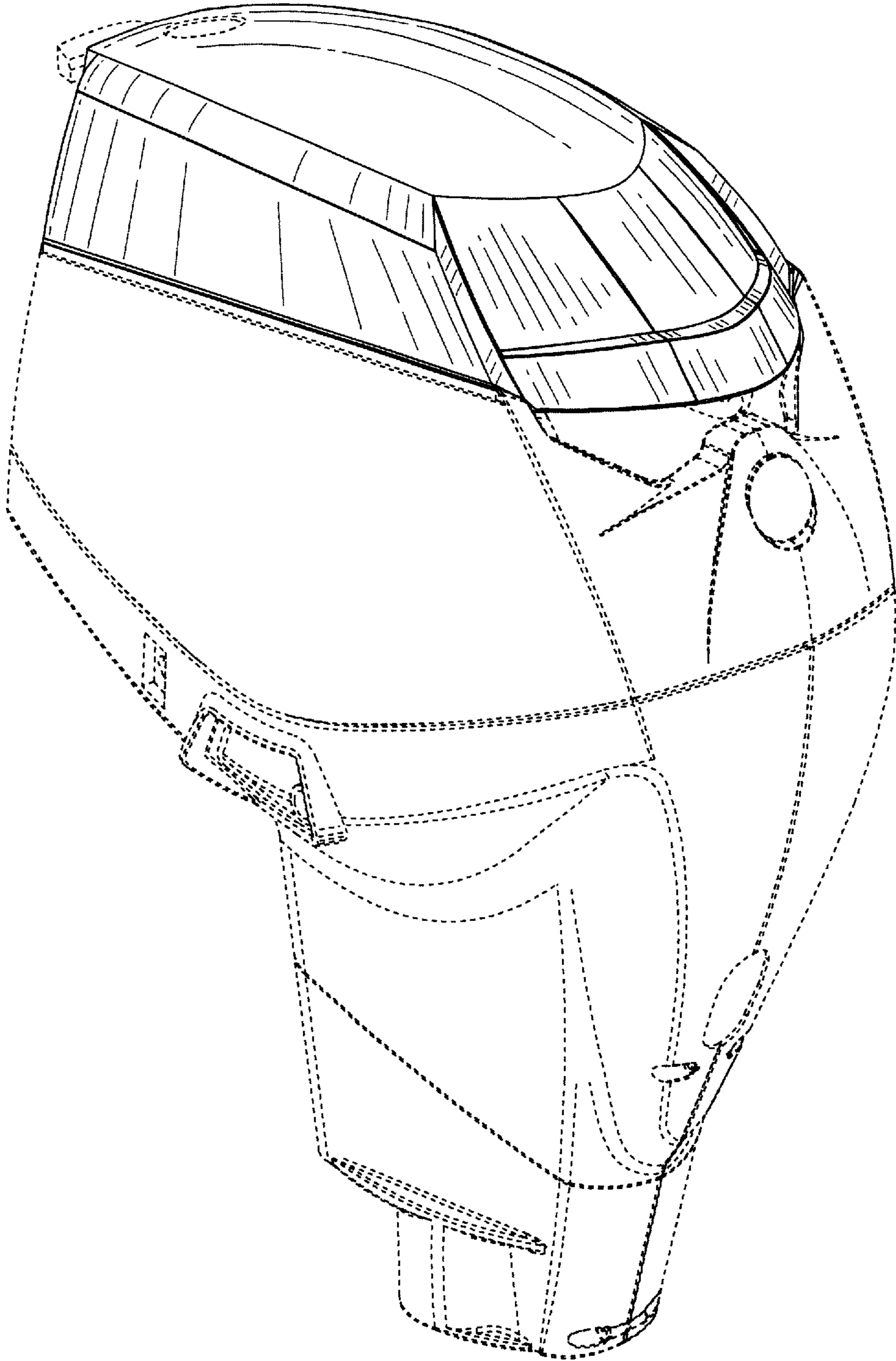


FIG. 7

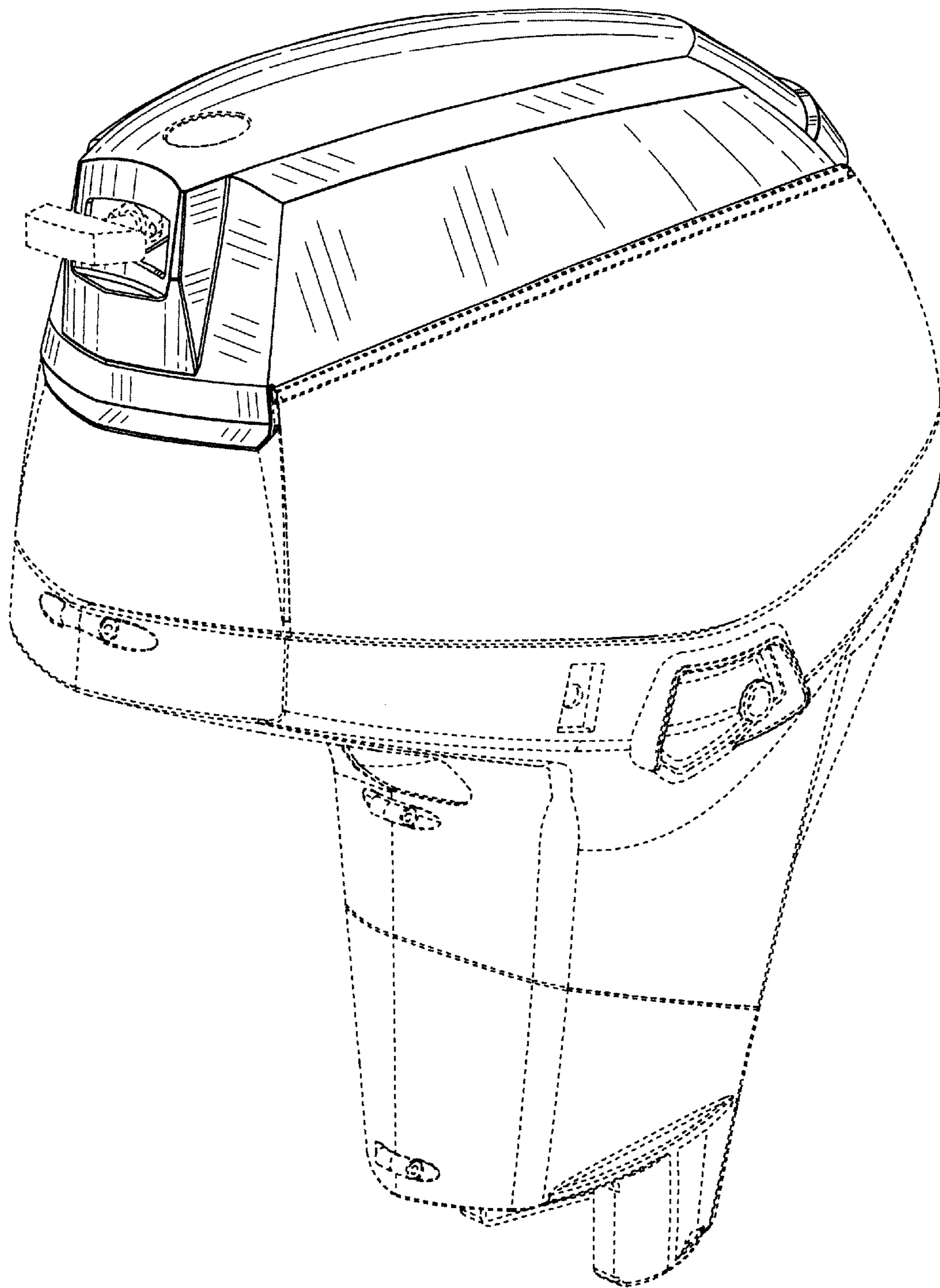


FIG. 8

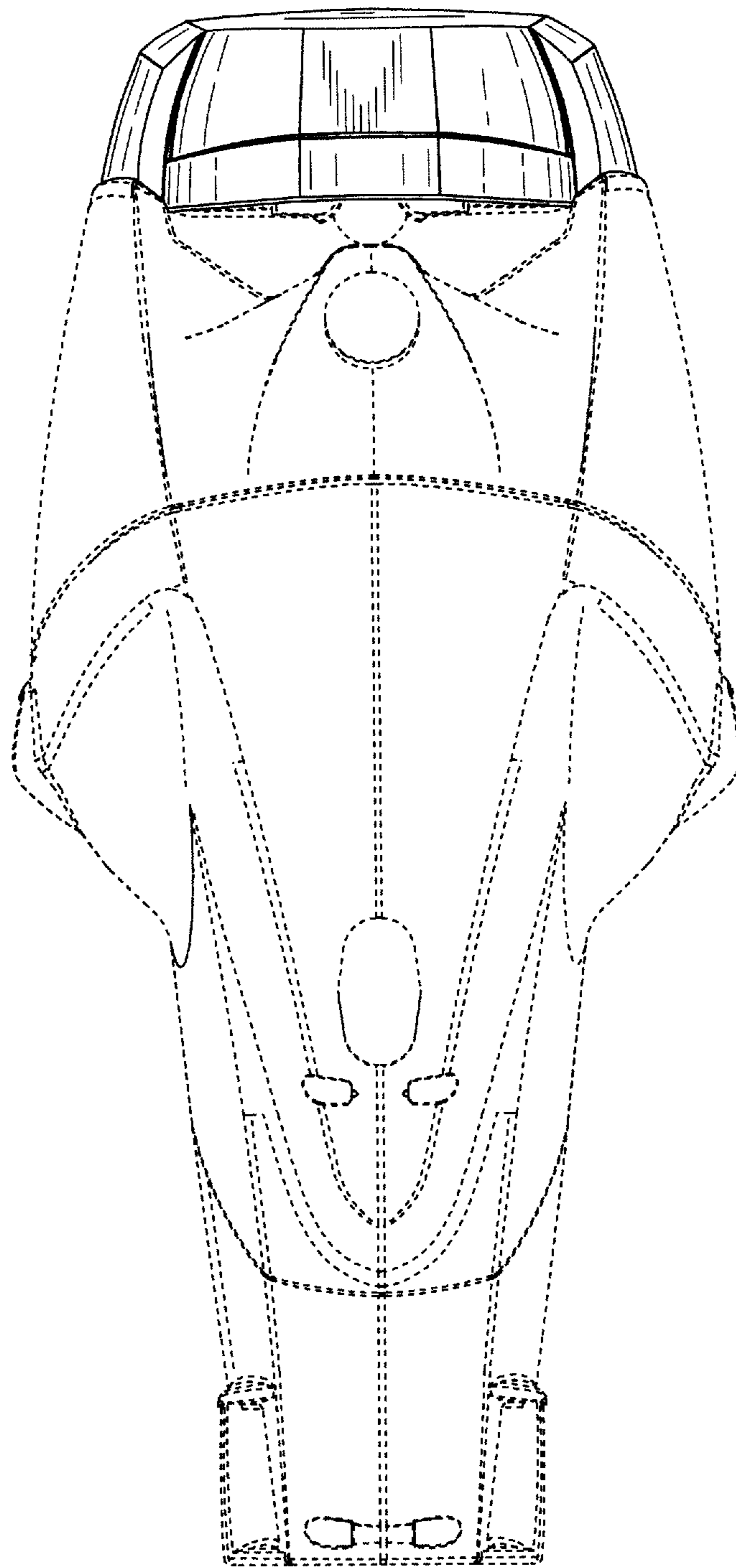


FIG. 9

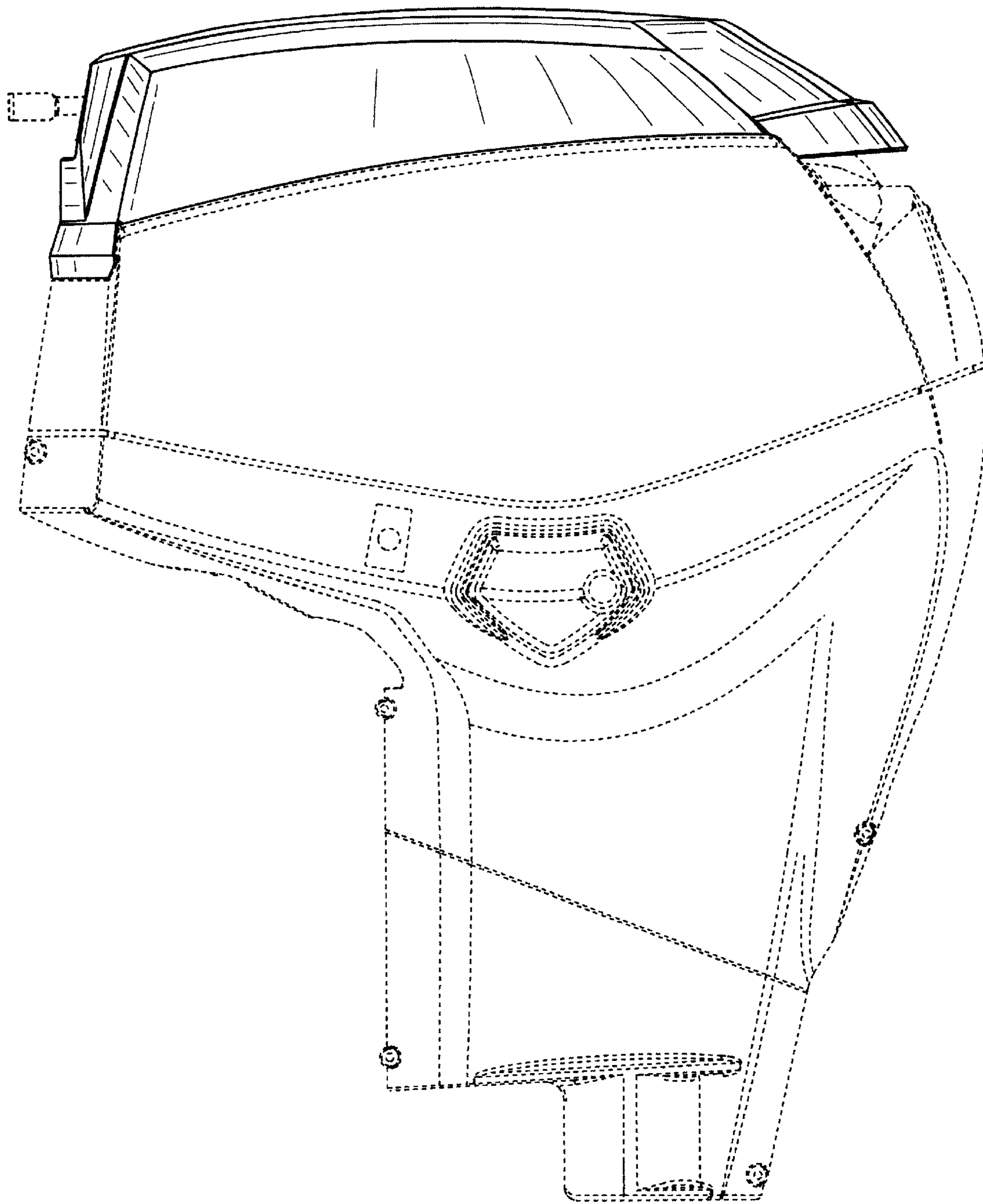


FIG. 10

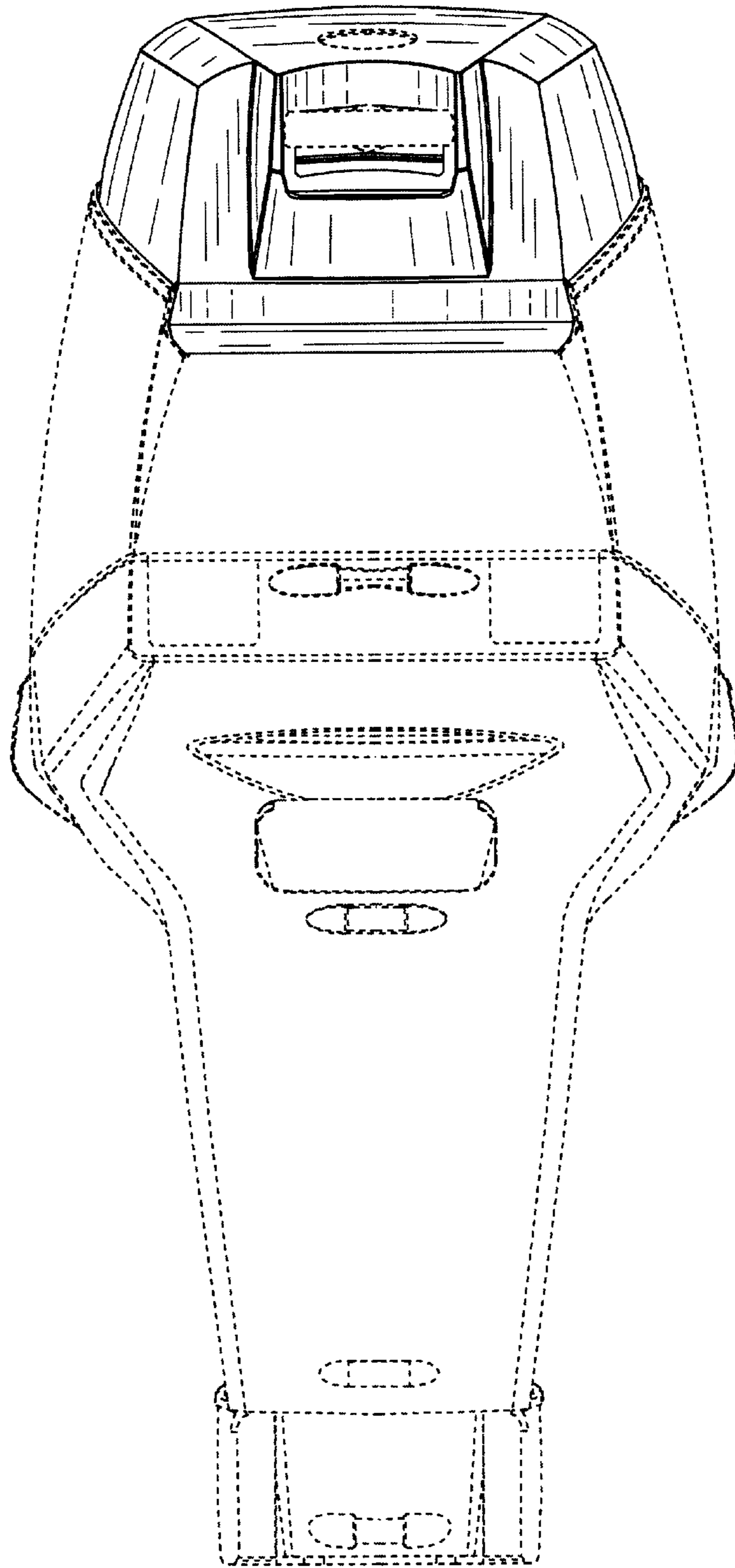


FIG. 11

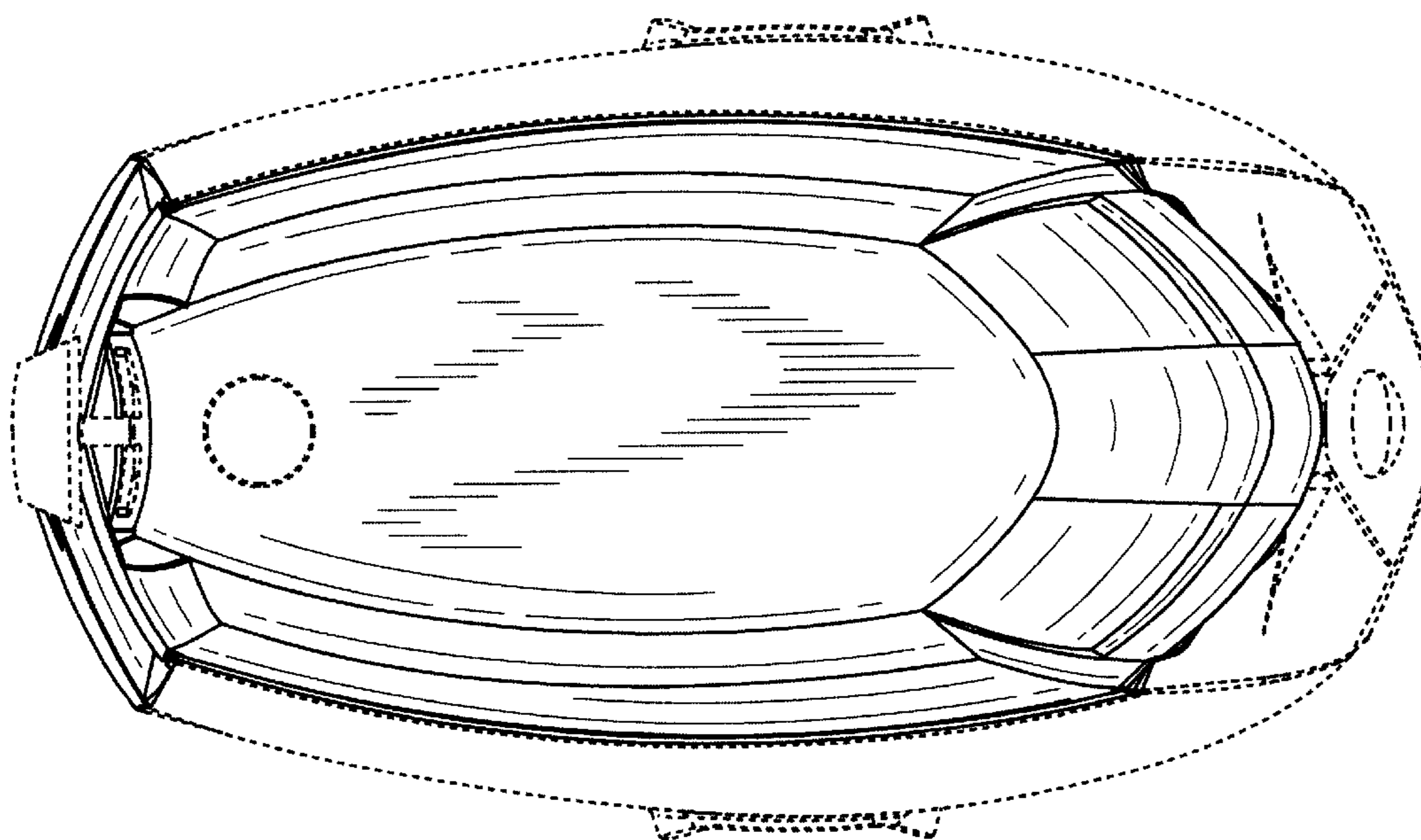


FIG. 12