



US00D519511S

(12) **United States Design Patent**
Hung et al.

(10) **Patent No.:** **US D519,511 S**

(45) **Date of Patent:** **** Apr. 25, 2006**

(54) **ANTISLIP PAD**

(75) Inventors: **Chun-Yu Hung**, Shijr (TW); **Ling-Wei Lee**, Shijr (TW)

(73) Assignee: **ATEN International Co. Ltd.**, Taipei (TW)

(**) Term: **14 Years**

(21) Appl. No.: **29/219,683**

(22) Filed: **Dec. 22, 2004**

(51) **LOC (8) Cl.** **14-02**

(52) **U.S. Cl.** **D14/432**

(58) **Field of Classification Search** 248/687,
248/682, 615, 560-62, 632, 634, 694, 345.1,
248/346.01, 346.03-346.04, 346.5; D14/432;
D13/156; 439/350-51, 399, 449; D8/330,
D8/339, 342-43, 344, 346, 400, 403, 404;
206/701, 724, 728, 722, 518, 557, 521, 586,
206/588, 592, 594; 361/685, 683, 686-87,
361/727-28, 730; 360/97.02, 97.01, 137
See application file for complete search history.

(56) **References Cited**

U.S. PATENT DOCUMENTS

4,713,714	A	*	12/1987	Gatti et al.	360/137
D309,893	S	*	8/1990	Endo et al.	D13/156
5,029,026	A	*	7/1991	Stefansky et al.	360/97.02
5,628,402	A	*	5/1997	Dickie et al.	206/521

5,673,158	A	*	9/1997	Ichimura	360/97.01
5,927,680	A	*	7/1999	Bridges et al.	248/638
6,078,498	A	*	6/2000	Eckerd et al.	361/685
6,196,516	B1	*	3/2001	Lan	248/634
6,262,888	B1	*	7/2001	Siedow et al.	361/685
6,311,945	B1	*	11/2001	D'Angelo	248/632
6,324,054	B1	*	11/2001	Chee et al.	361/685
6,464,197	B1	*	10/2002	Chen	248/687

* cited by examiner

Primary Examiner—Alan P. Douglas

Assistant Examiner—Susan Moon Lee

(74) *Attorney, Agent, or Firm*—Troxell Law Office, PLLC

(57) **CLAIM**

The ornamental design for an antislip pad, as shown and described.

DESCRIPTION

FIG. 1 is a perspective view of an antislip pad, showing our new design.

FIG. 2 is a front view thereof;

FIG. 3 is a rear view thereof;

FIG. 4 is a left side view thereof;

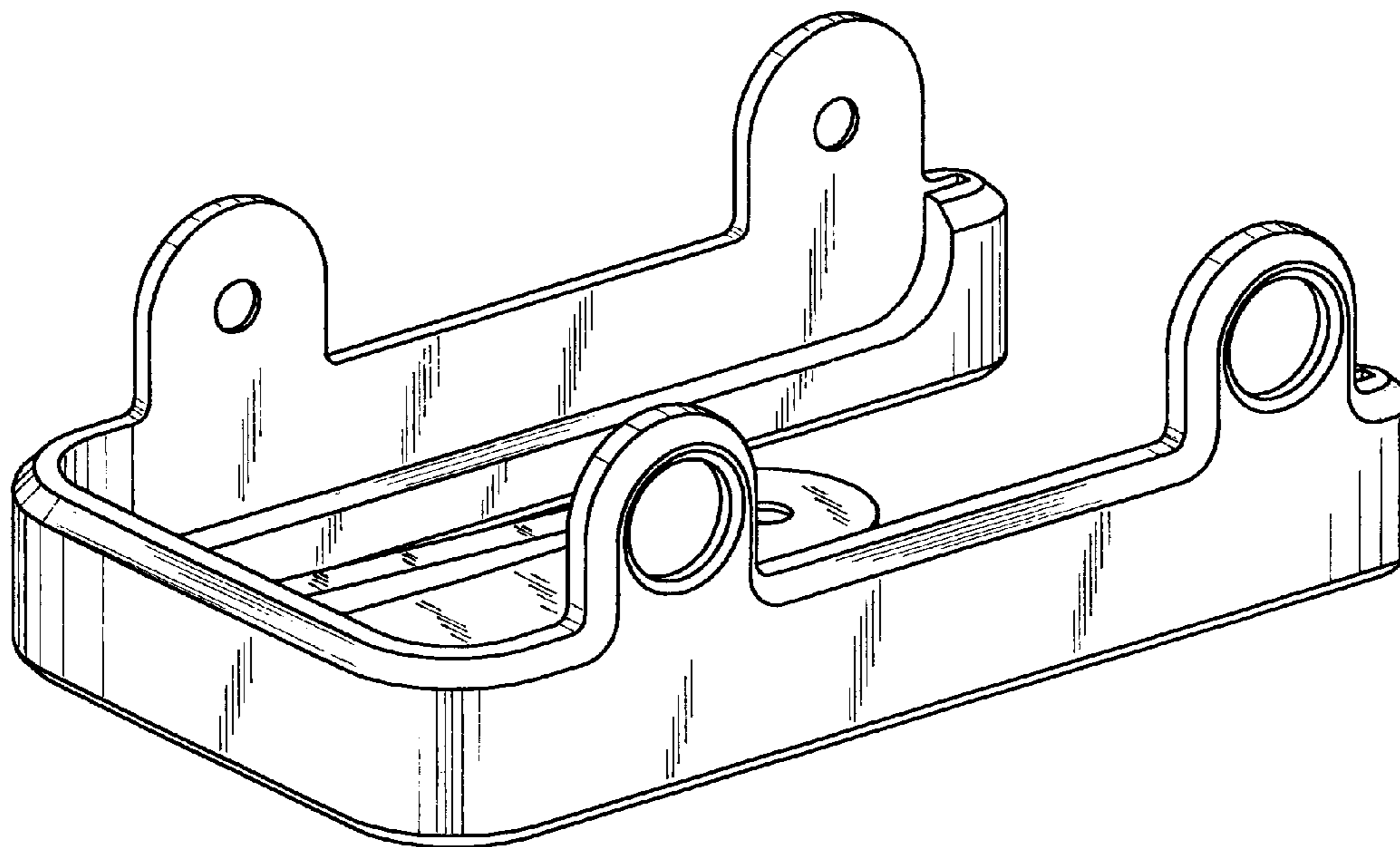
FIG. 5 is a right side view thereof;

FIG. 6 is a top view thereof;

FIG. 7 is a bottom view thereof; and,

FIG. 8 is a perspective view thereof viewed from another angle.

1 Claim, 5 Drawing Sheets



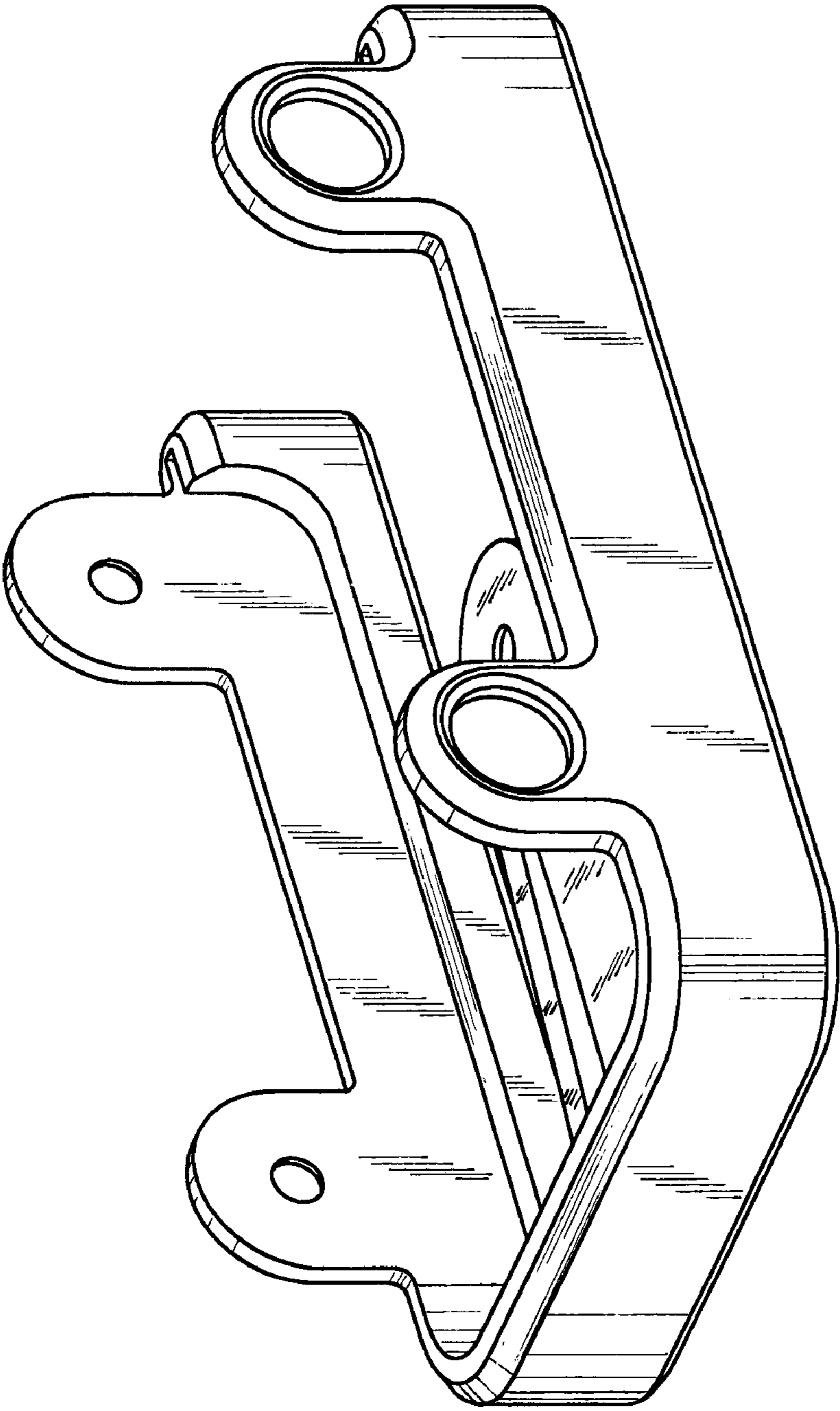


FIG. 1

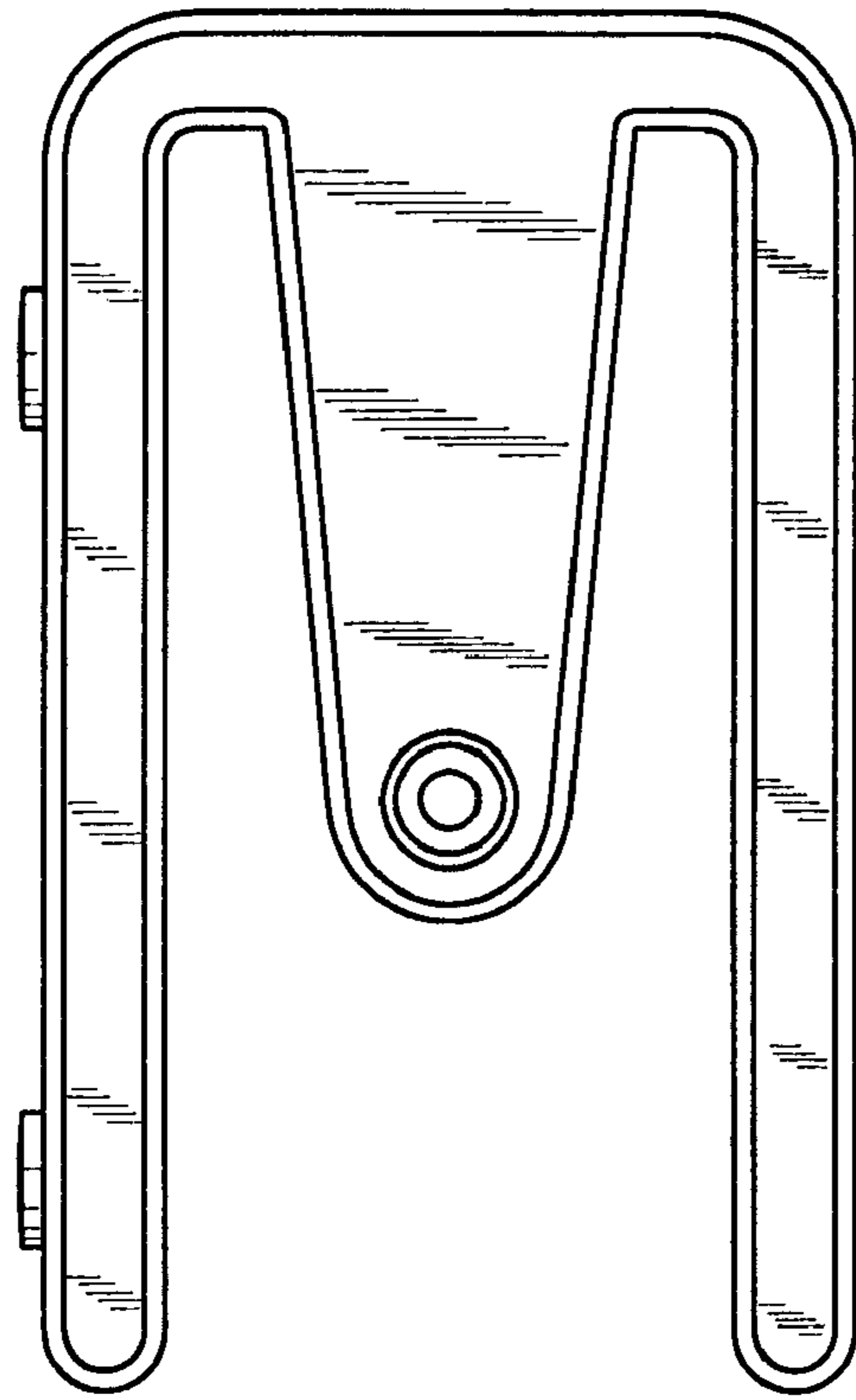


FIG. 3

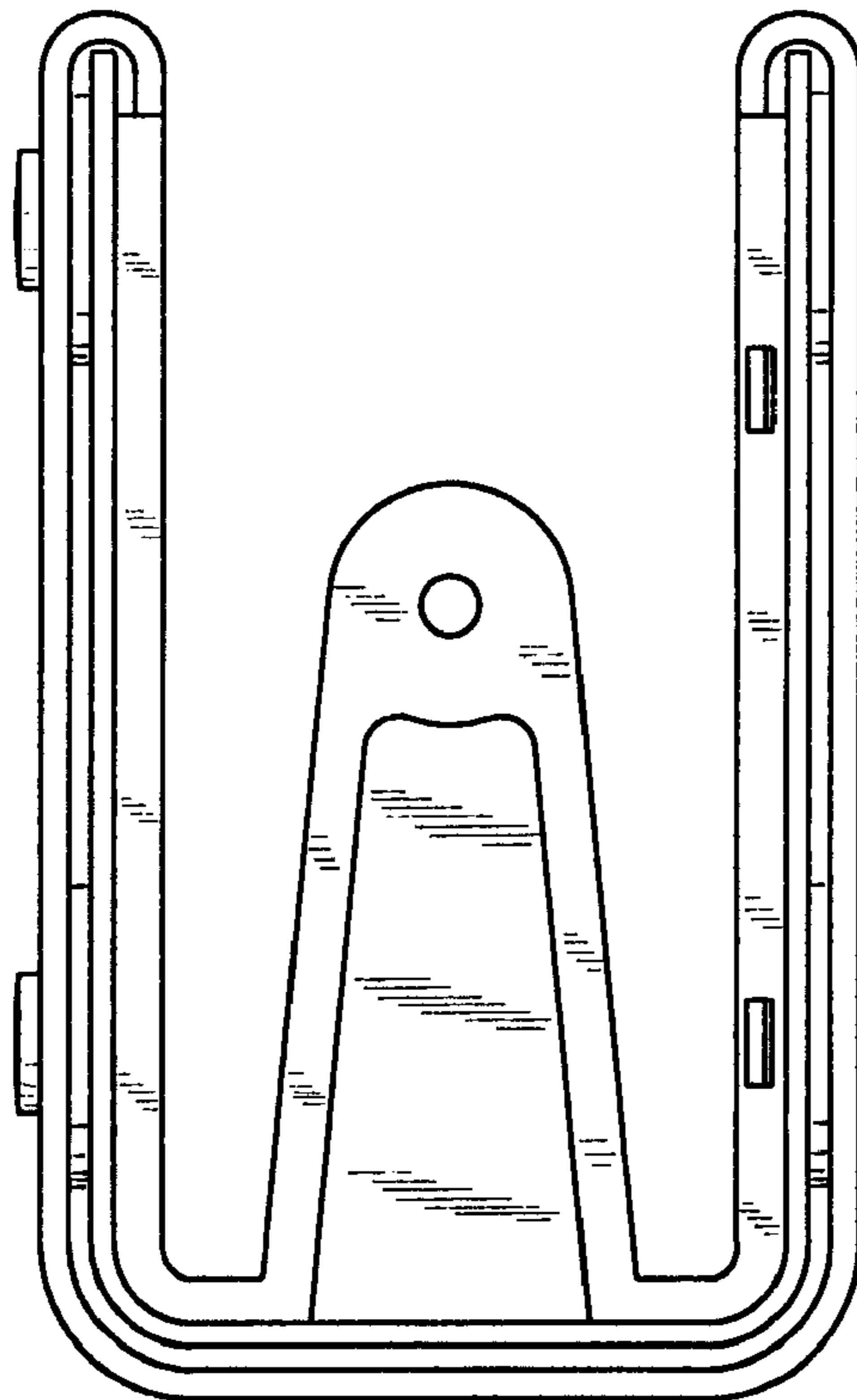


FIG. 2

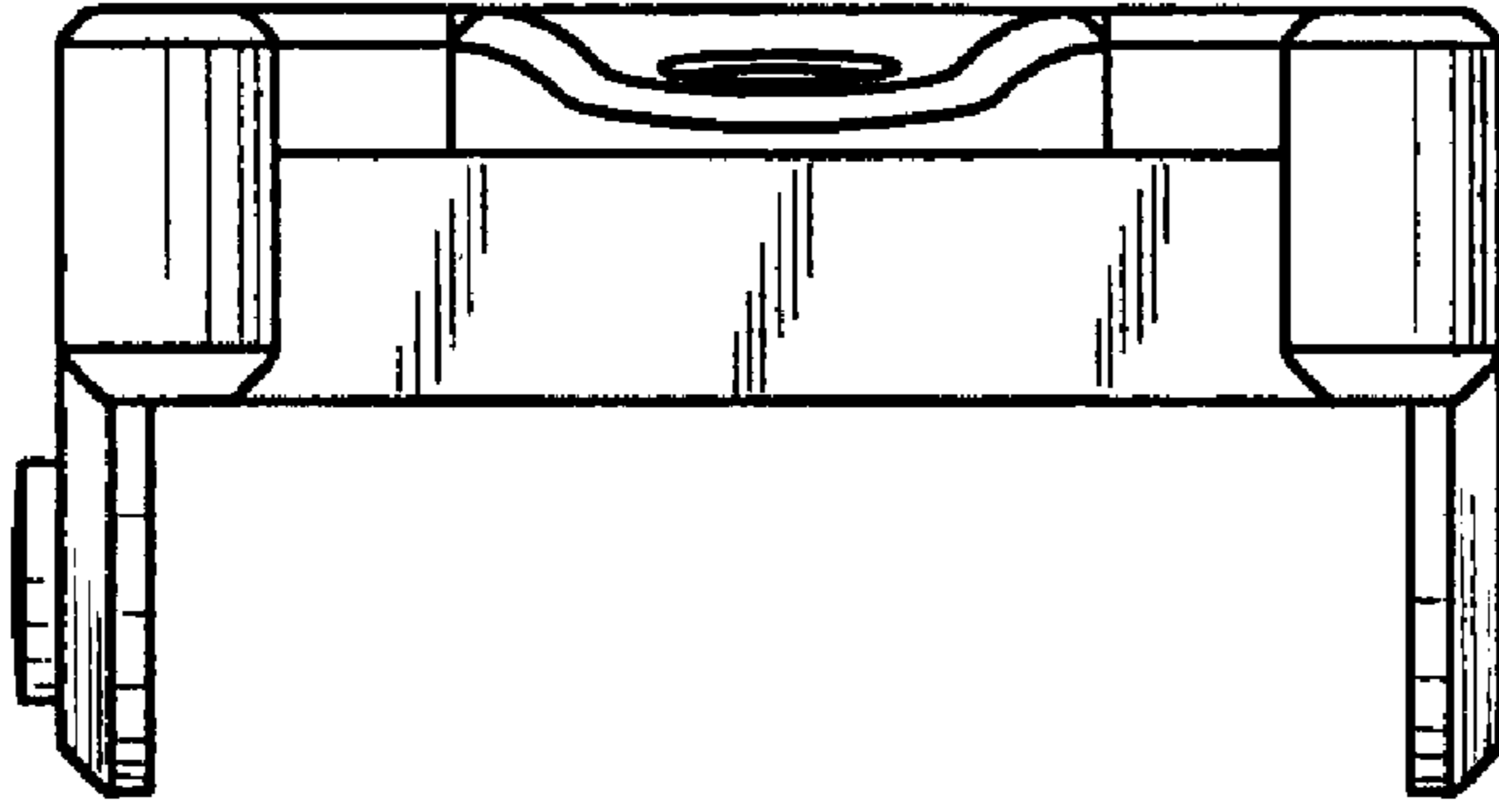


FIG. 5

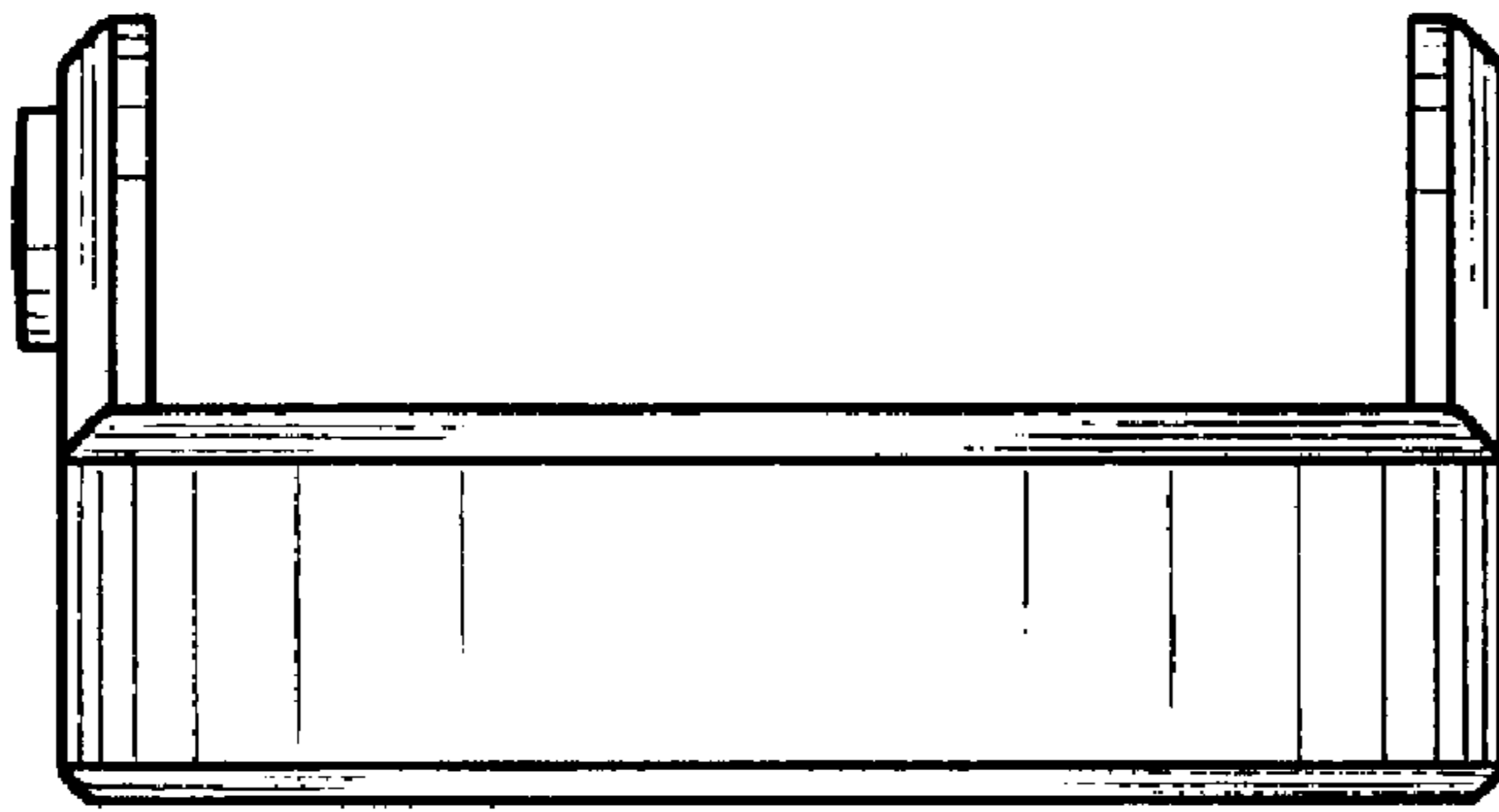


FIG. 4

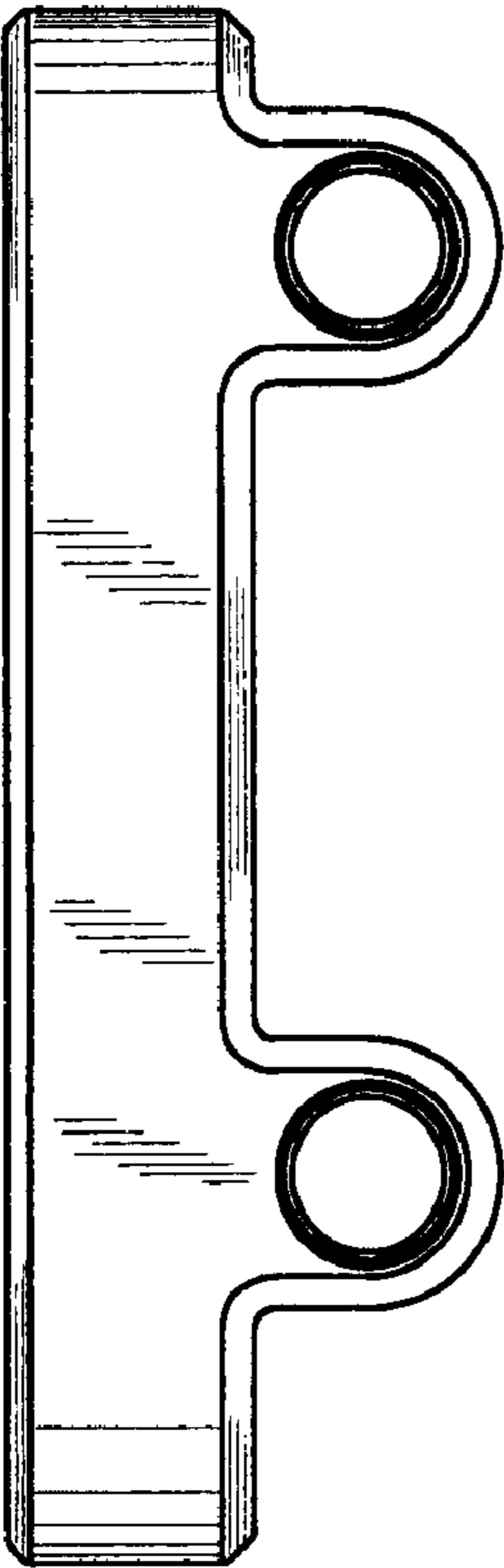


FIG. 6

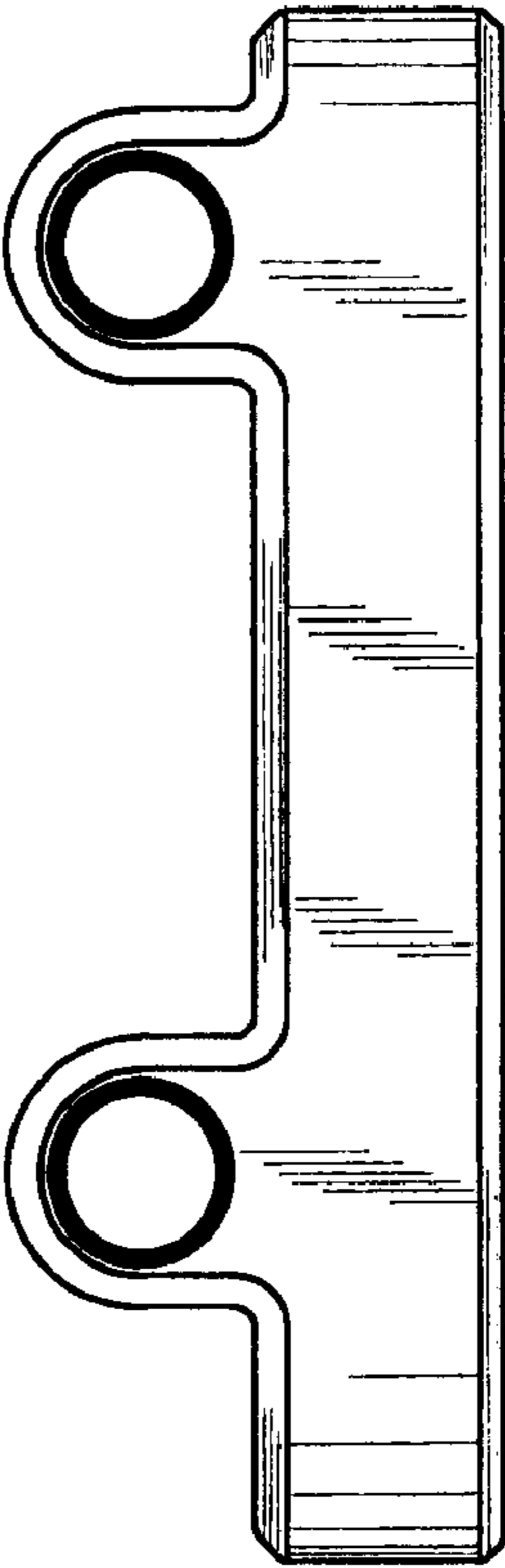


FIG. 7

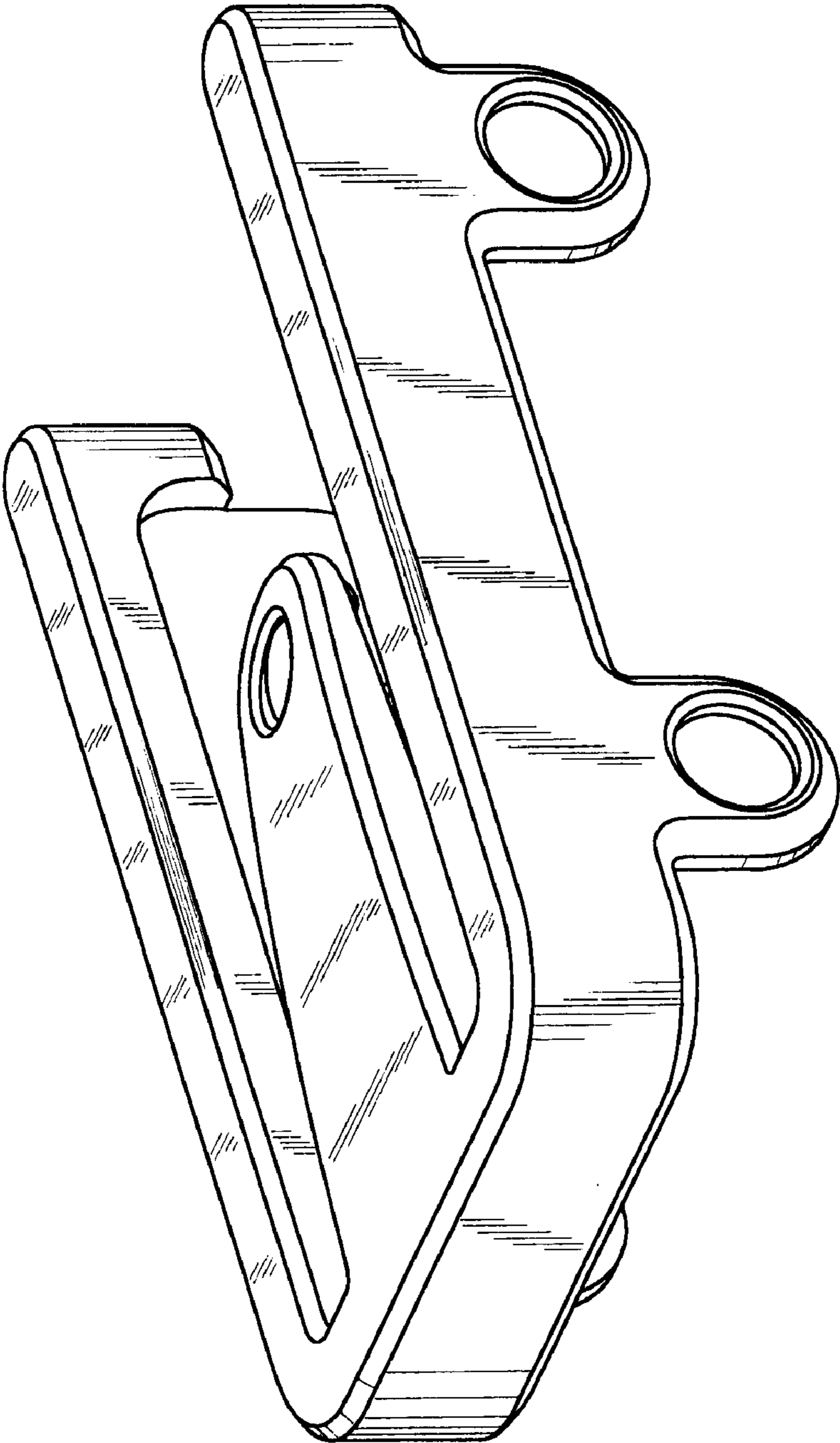


FIG. 8