

US00D519510S

(12) **United States Design Patent**
Valentine

(10) **Patent No.:** **US D519,510 S**

(45) **Date of Patent:** **** Apr. 25, 2006**

(54) **FOOTBALL MOUSE**

(76) Inventor: **Donny Valentine**, 132 N. El Camino
Real #260, Encinitas, CA (US) 92024

(**) Term: **14 Years**

(21) Appl. No.: **29/223,455**

(22) Filed: **Feb. 15, 2005**

(51) **LOC (8) Cl.** **14-02**

(52) **U.S. Cl.** **D14/403**

(58) **Field of Classification Search** D14/402-410;
D21/328, 713; 273/148 B; 200/5 R, 5 A,
200/6 R, 6 A; 345/156-167; 74/471 XY;
463/36, 39

See application file for complete search history.

(56) **References Cited**

U.S. PATENT DOCUMENTS

D262,717 S	*	1/1982	Dweck	D21/328
D362,242 S	*	9/1995	Siano, Jr.	D14/403
D374,219 S	*	10/1996	Allana et al.	D14/403
D423,480 S	*	4/2000	Smith et al.	D14/403
D451,512 S	*	12/2001	Hervig et al.	D14/403

D466,509 S	*	12/2002	Li	D14/403
D471,555 S	*	3/2003	Nybank	D14/403
D478,591 S	*	8/2003	Heard et al.	D14/403

* cited by examiner

Primary Examiner—Pamela Burgess

(74) *Attorney, Agent, or Firm*—Steven W. Webb

(57) **CLAIM**

The ornamental design for a football mouse, as shown and described.

DESCRIPTION

FIG. 1 is a perspective view of a football mouse showing my new design;

FIG. 2 is a side elevational view thereof;

FIG. 3 is a top plan view thereof;

FIG. 4 is a front elevational view thereof;

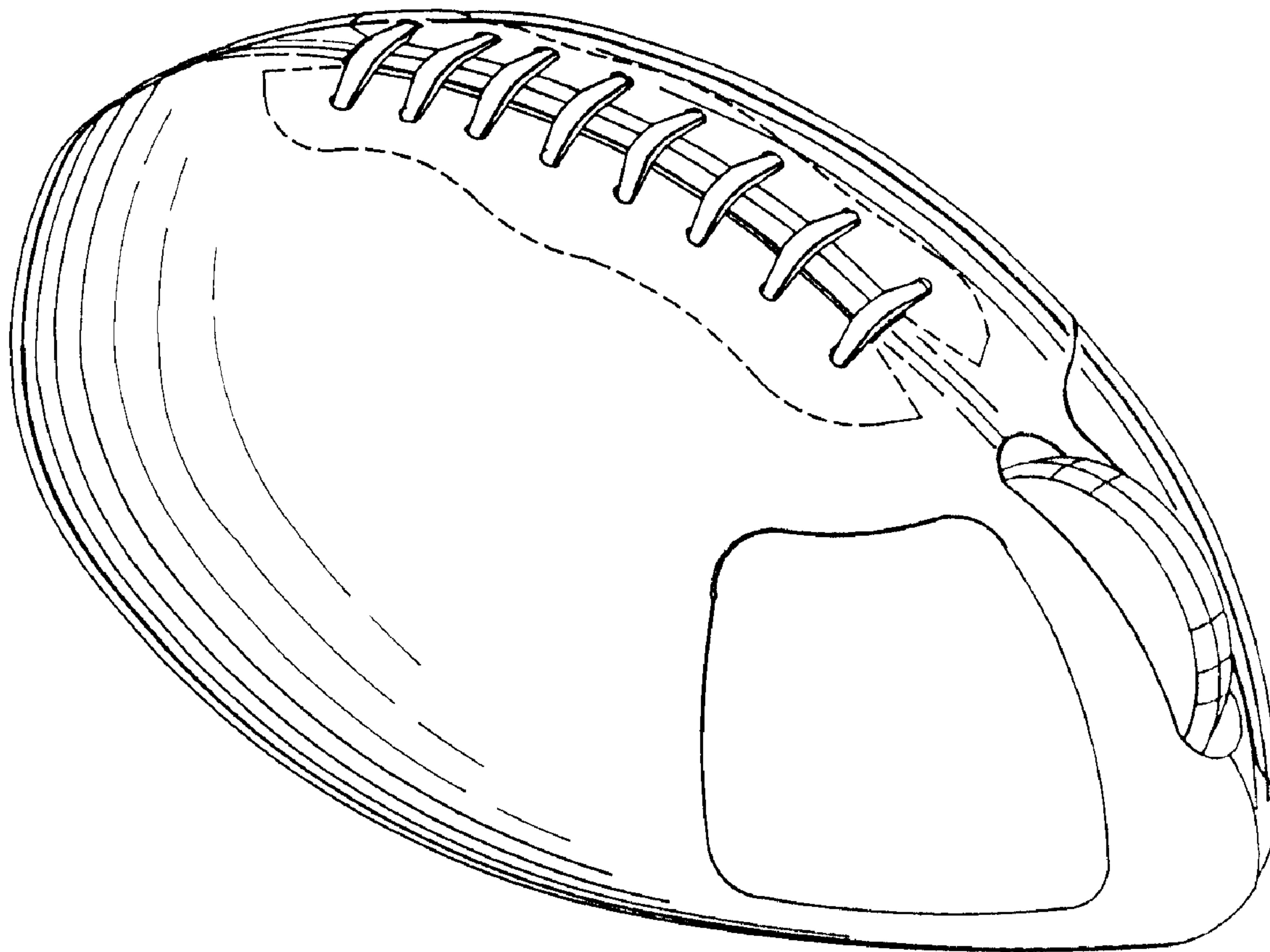
FIG. 5 is a rear elevational view thereof; and,

FIG. 6 is a bottom plan view thereof.

It is understood that the laces shown are raised.

It is understood that the broken lines in the drawings represent conventional stitching.

1 Claim, 3 Drawing Sheets



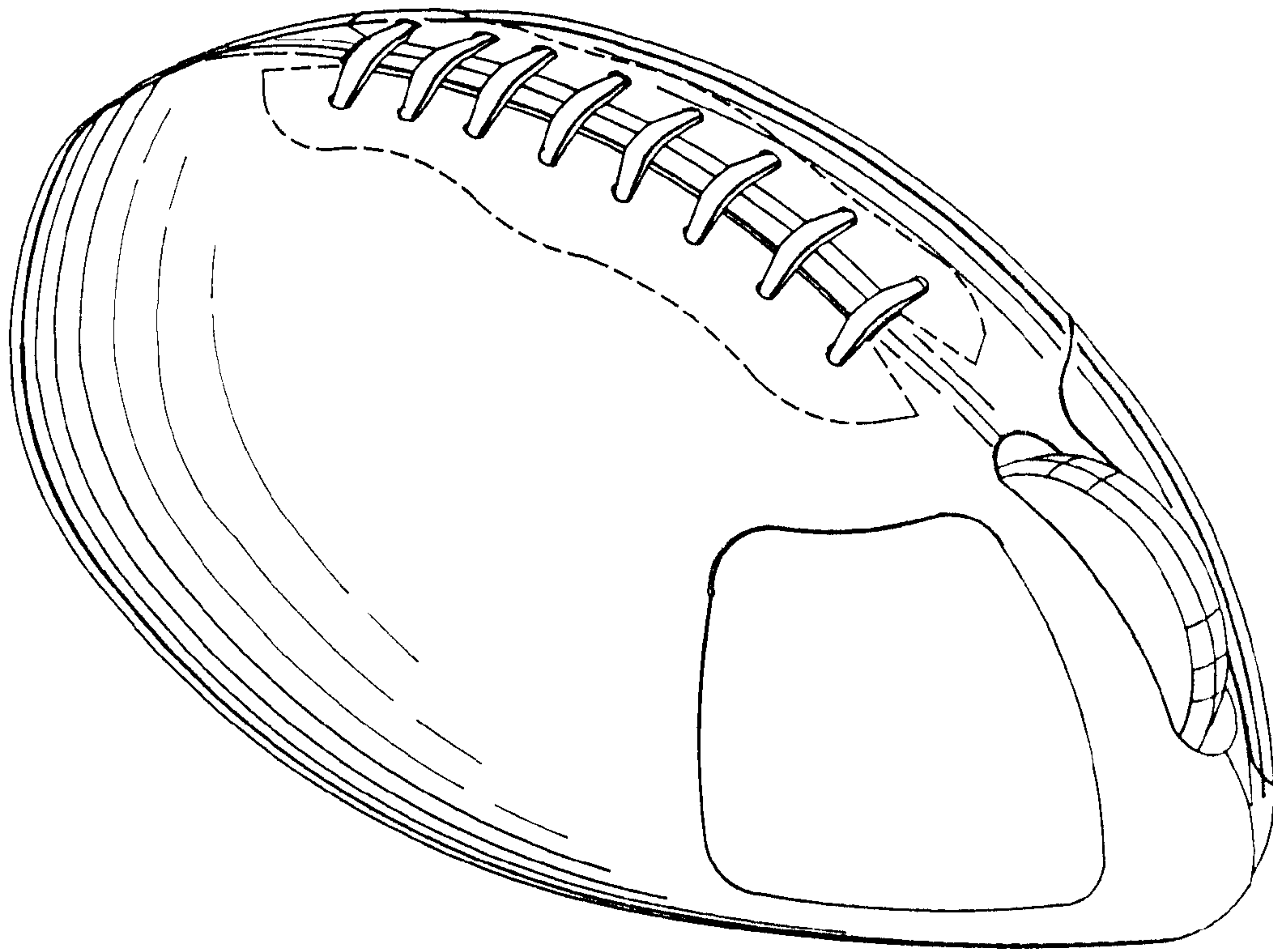


Fig. 1

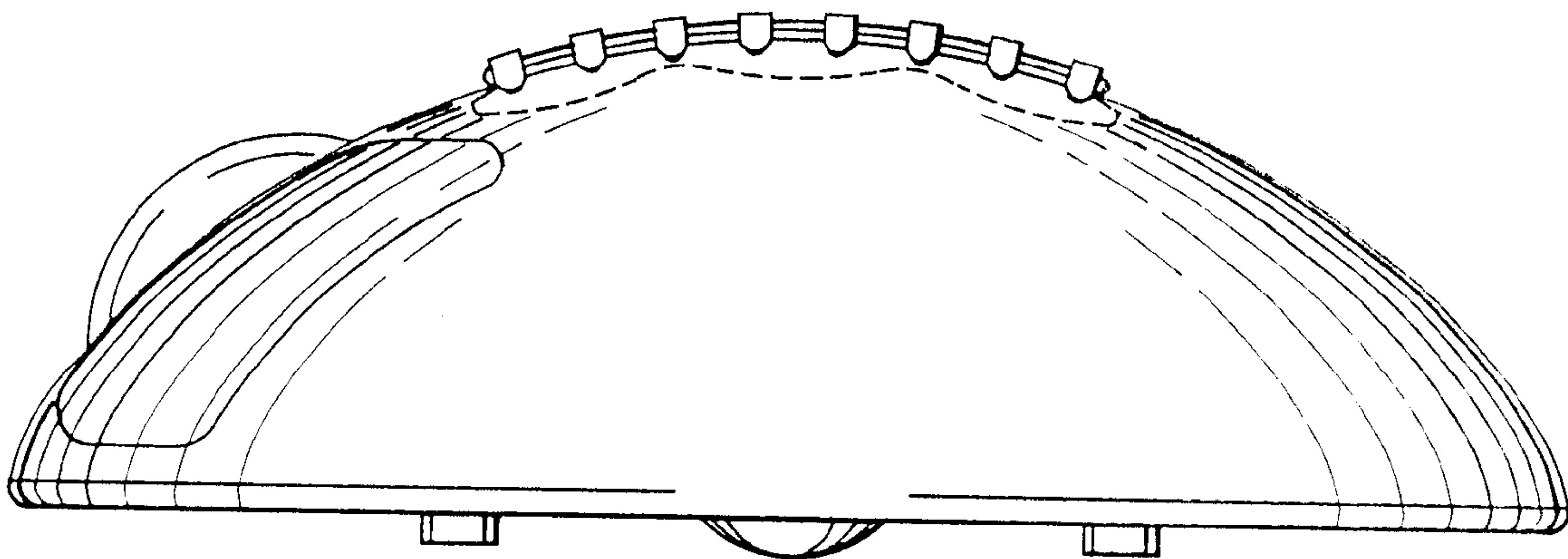


Fig. 2

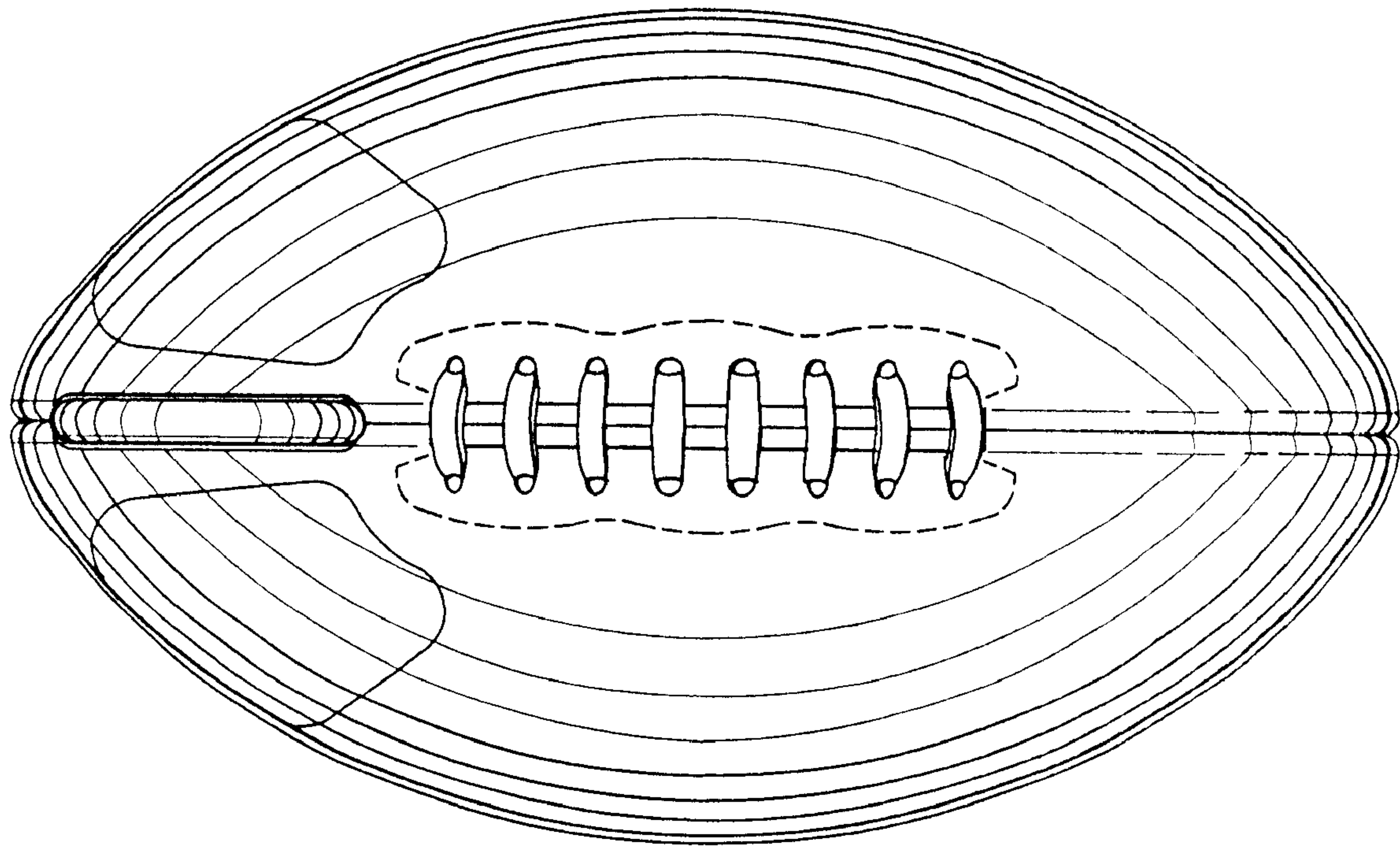


Fig. 3

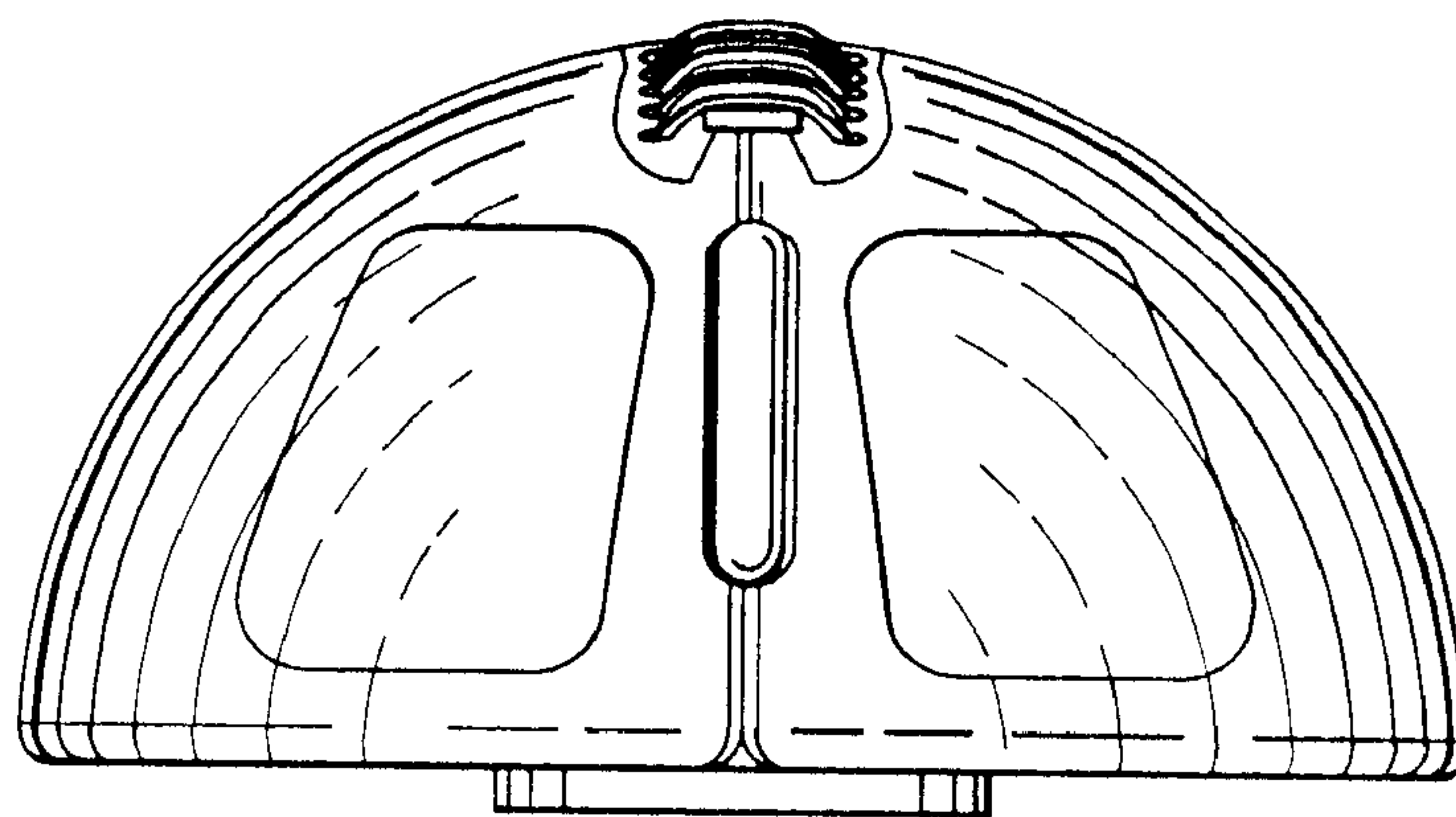


Fig. 4

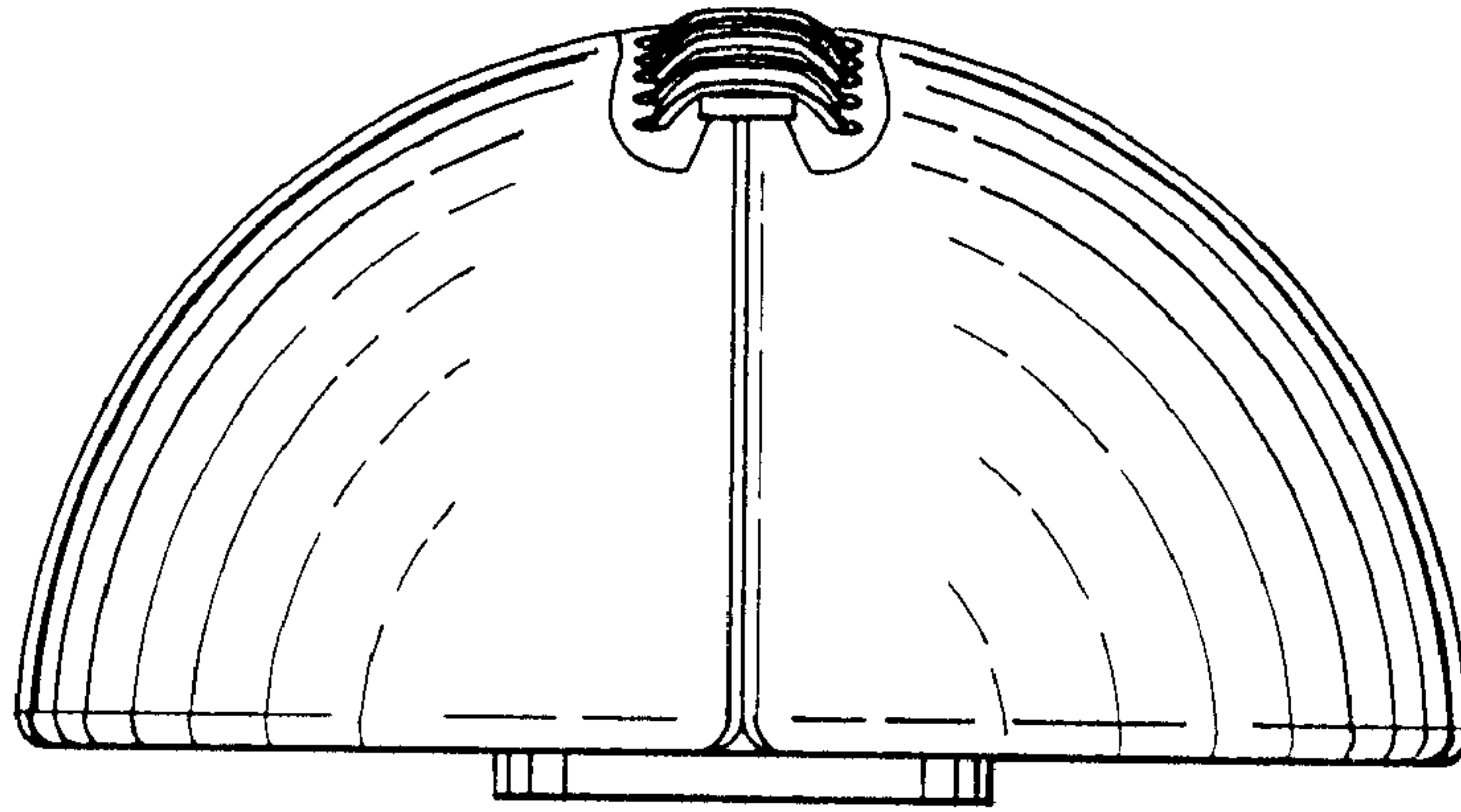


Fig. 5

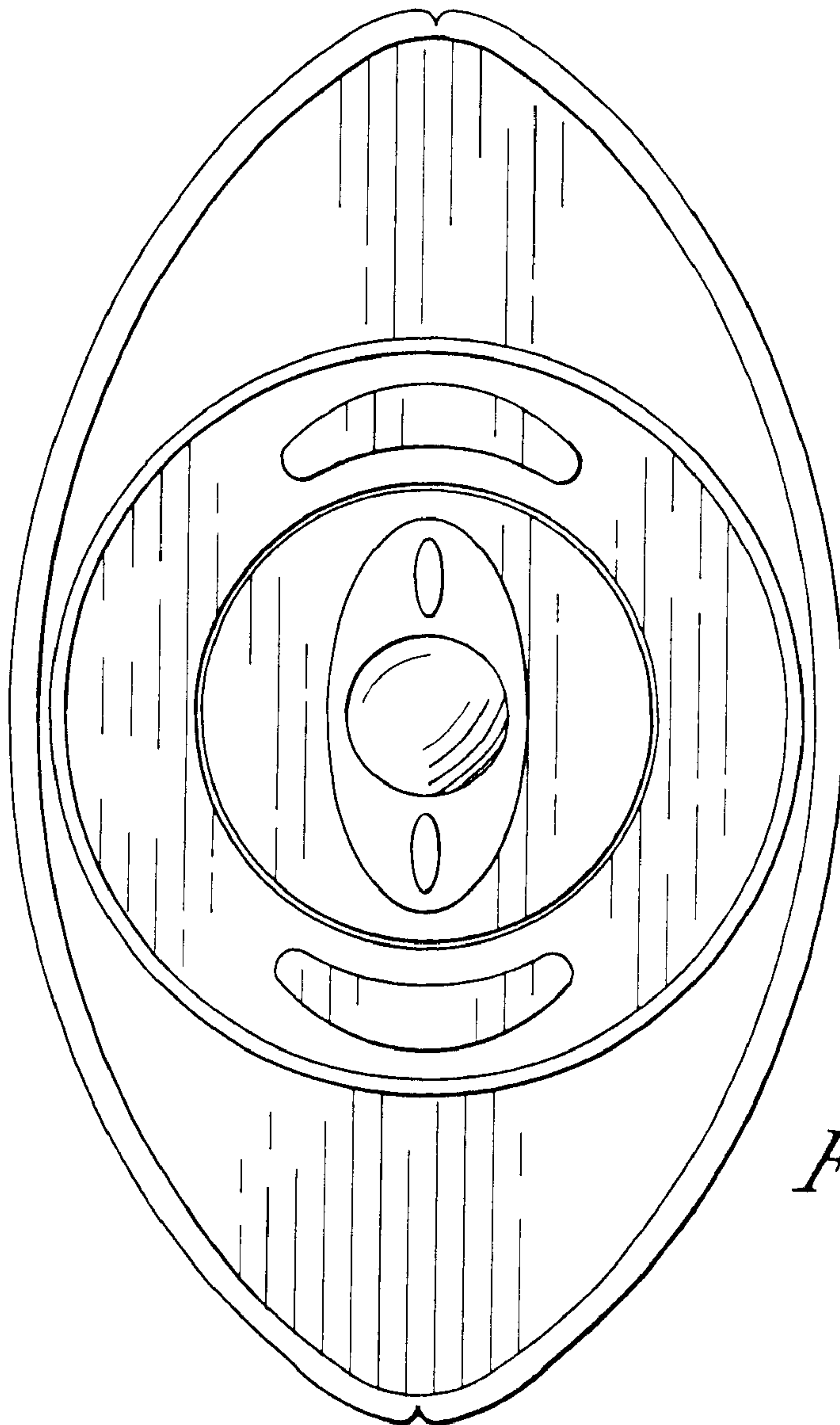


Fig. 6