



US00D519508S

(12) **United States Design Patent** (10) **Patent No.:** **US D519,508 S**
Canavan et al. (45) **Date of Patent:** **** Apr. 25, 2006**

(54) **MOUSE WITH UPPER AND SIDE BUTTONS NEAR SIDE EDGE**

(75) Inventors: **Eugene Canavan**, Wicklow County (IE); **Peter Sheehan**, Wicklow County (IE); **Andy Hengel**, Los Gatos, CA (US)

(73) Assignee: **Logitech Europe S.A.**, Romanel-sur Morges (CH)

(**) Term: **14 Years**

(21) Appl. No.: **29/228,834**

(22) Filed: **Apr. 27, 2005**

(51) **LOC (8) Cl.** **14-02**

(52) **U.S. Cl.** **D14/402; D14/408**

(58) **Field of Classification Search** D14/402-411, D14/417, 454, 432-434, 240; 345/156-167; 74/471 XY; 273/148 B; 200/5 R, 5 A, 6 R, 200/6 A; 463/36-38; 382/165-166; 235/462.01, 235/462.43, 462.45, 462.46, 462.47; 358/473-474
See application file for complete search history.

(56) **References Cited**

U.S. PATENT DOCUMENTS

- D302,426 S 7/1989 Bradley et al.
- 4,862,165 A * 8/1989 Gart D14/409
- D328,597 S 8/1992 Clouss
- D336,900 S 6/1993 Pfeifer
- D337,321 S 7/1993 Koh et al.
- D343,392 S 1/1994 Harden et al.
- D348,057 S 6/1994 Bradley
- D349,280 S 8/1994 Kaneko
- D350,737 S * 9/1994 Chen D14/409
- D355,901 S 2/1995 Bradley
- D356,558 S 3/1995 Montgomery et al.
- D362,431 S 9/1995 Kaneko et al.
- D372,908 S 8/1996 Aeschbacher et al.
- D375,729 S 11/1996 Aeschbacher et al.
- D378,086 S 2/1997 Sheehan et al.
- D382,550 S 8/1997 Kaneko et al.
- D385,542 S 10/1997 Kaneko et al.

- D411,190 S 6/1999 McMahon et al.
- D411,837 S 7/1999 Sheehan
- D412,898 S 8/1999 Adams et al.
- D413,114 S 8/1999 Sheehan
- D413,322 S 8/1999 Sheehan et al.
- D421,434 S 3/2000 Sheehan et al.
- D423,488 S 4/2000 O'Keeffe et al.
- D430,879 S 9/2000 Chiang et al.
- D430,881 S 9/2000 Bidiville et al.
- D435,847 S 1/2001 Sheehan et al.
- D435,848 S 1/2001 Sheehan et al.
- D436,961 S 1/2001 Ledbetter et al.
- D437,599 S 2/2001 Kaneko et al.
- D437,852 S 2/2001 Ledbetter et al.
- D437,853 S 2/2001 Ledbetter et al.
- D438,209 S 2/2001 Ledbetter et al.
- D439,252 S 3/2001 Ledbetter et al.
- D439,253 S 3/2001 Sheehan et al.
- D439,905 S 4/2001 Jones et al.

(Continued)

Primary Examiner—Pamela J. Burgess
(74) *Attorney, Agent, or Firm*—Townsend and Townsend and Crew LLP

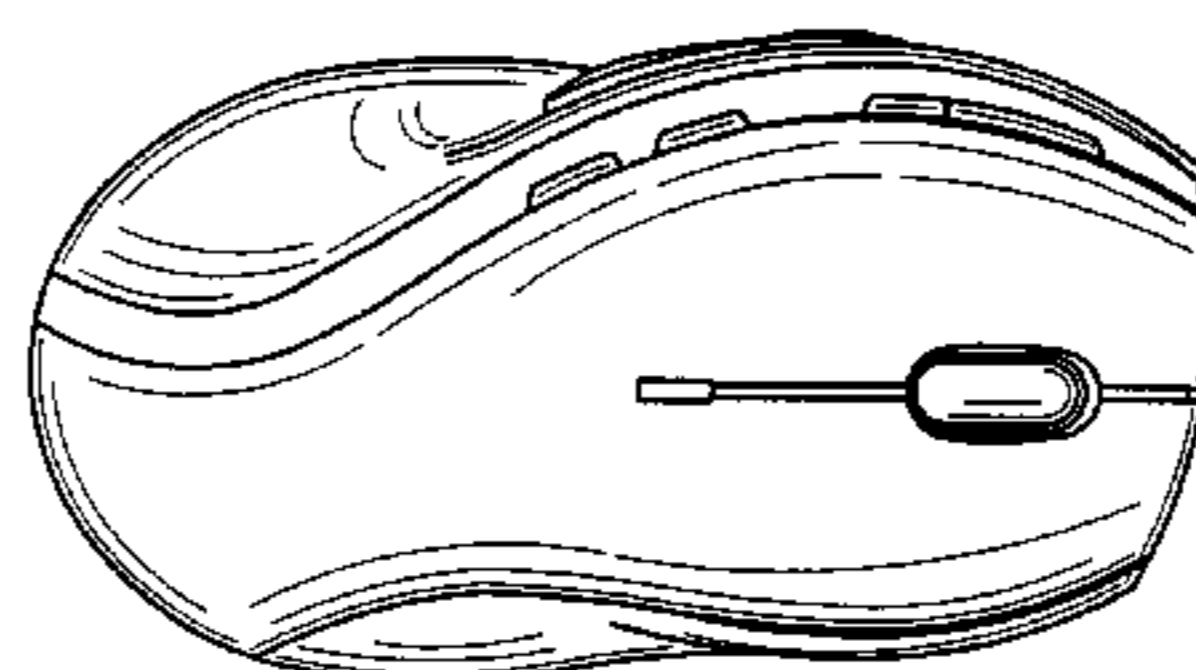
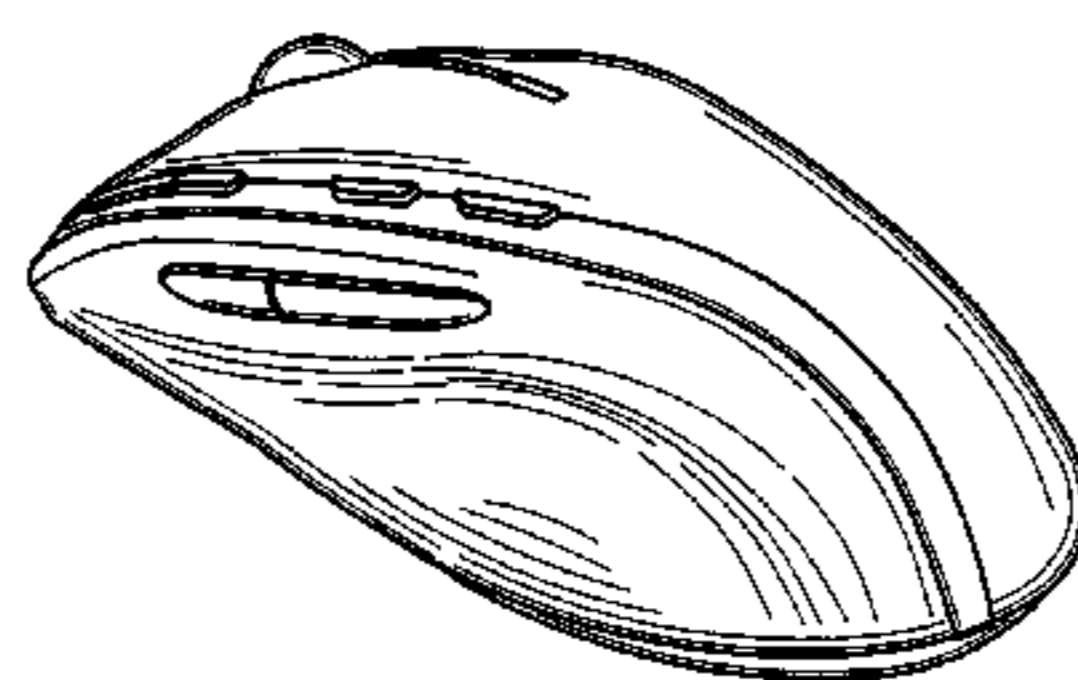
(57) **CLAIM**

The ornamental design for mouse with upper and side buttons near side edge, as shown and described.

DESCRIPTION

FIG. 1 is a perspective view of a mouse with upper and side buttons near side edge showing our new design; FIG. 2 is another perspective view thereof; FIG. 3 is a left elevational view thereof; FIG. 4 is a right elevational view thereof; FIG. 5 is a top plan view thereof; FIG. 6 is a bottom plan view thereof; FIG. 7 is a front elevational view thereof; and, FIG. 8 is a rear elevational view thereof. Phantom lining, where utilized, is for illustrative purposes only, and is not intended to limit the claimed component design to the features shown in phantom.

1 Claim, 4 Drawing Sheets



US D519,508 S

Page 2

U.S. PATENT DOCUMENTS

D440,224 S	4/2001	Jones et al.		D471,556 S	3/2003	O'Keeffe et al.	
D440,972 S	4/2001	Chiang et al.		D473,232 S	4/2003	Fisher	
D441,749 S	5/2001	Swan et al.		D473,870 S	4/2003	Fisher	
D442,592 S	5/2001	Ledbetter et al.		D474,769 S	5/2003	Fisher et al.	
D443,274 S	6/2001	Loughnane et al.		D475,347 S	6/2003	Sheehan et al.	
D443,275 S	6/2001	Loughnane et al.		6,580,419 B1 *	6/2003	O'Keeffe et al. 345/163
D443,616 S	6/2001	Fisher et al.		D479,528 S	9/2003	Sheehan et al.	
6,266,047 B1 *	7/2001	Benja-Athon 345/163	D479,529 S	9/2003	Sheehan et al.	
D449,301 S	10/2001	Stephens et al.		D485,272 S	1/2004	Fisher	
D450,321 S	11/2001	Fisher et al.		D487,895 S	3/2004	Fisher et al.	
D450,697 S	11/2001	Fisher et al.		D488,157 S	4/2004	Fisher	
D450,698 S	11/2001	Fisher et al.		D488,474 S	4/2004	Fisher et al.	
D450,699 S	11/2001	Fisher et al.		D489,723 S	5/2004	Fisher et al.	
D450,700 S	11/2001	Fisher et al.		D489,724 S	5/2004	Fisher	
D451,098 S	11/2001	Fisher et al.		D491,948 S	6/2004	Fisher	
D460,071 S	7/2002	Sheehan et al.		D493,173 S	7/2004	Canavan et al.	
D460,072 S	7/2002	Sheehan		6,791,533 B1 *	9/2004	Su 345/163
D460,969 S	7/2002	Sheehan		D503,715 S	4/2005	Sheehan et al.	
D464,350 S	10/2002	Kerestegian et al.		D504,133 S	4/2005	Canavan et al.	
D464,352 S	10/2002	Kerestegian		D505,677 S	5/2005	Sheehan et al.	
D464,651 S	10/2002	Kerestegian		D505,678 S	5/2005	Sheehan et al.	
6,509,891 B1 *	1/2003	Sheehan et al. 345/167	D505,679 S	5/2005	Klarke et al.	
D470,495 S	2/2003	Sheehan et al.		D506,198 S	6/2005	Sheehan et al.	

* cited by examiner

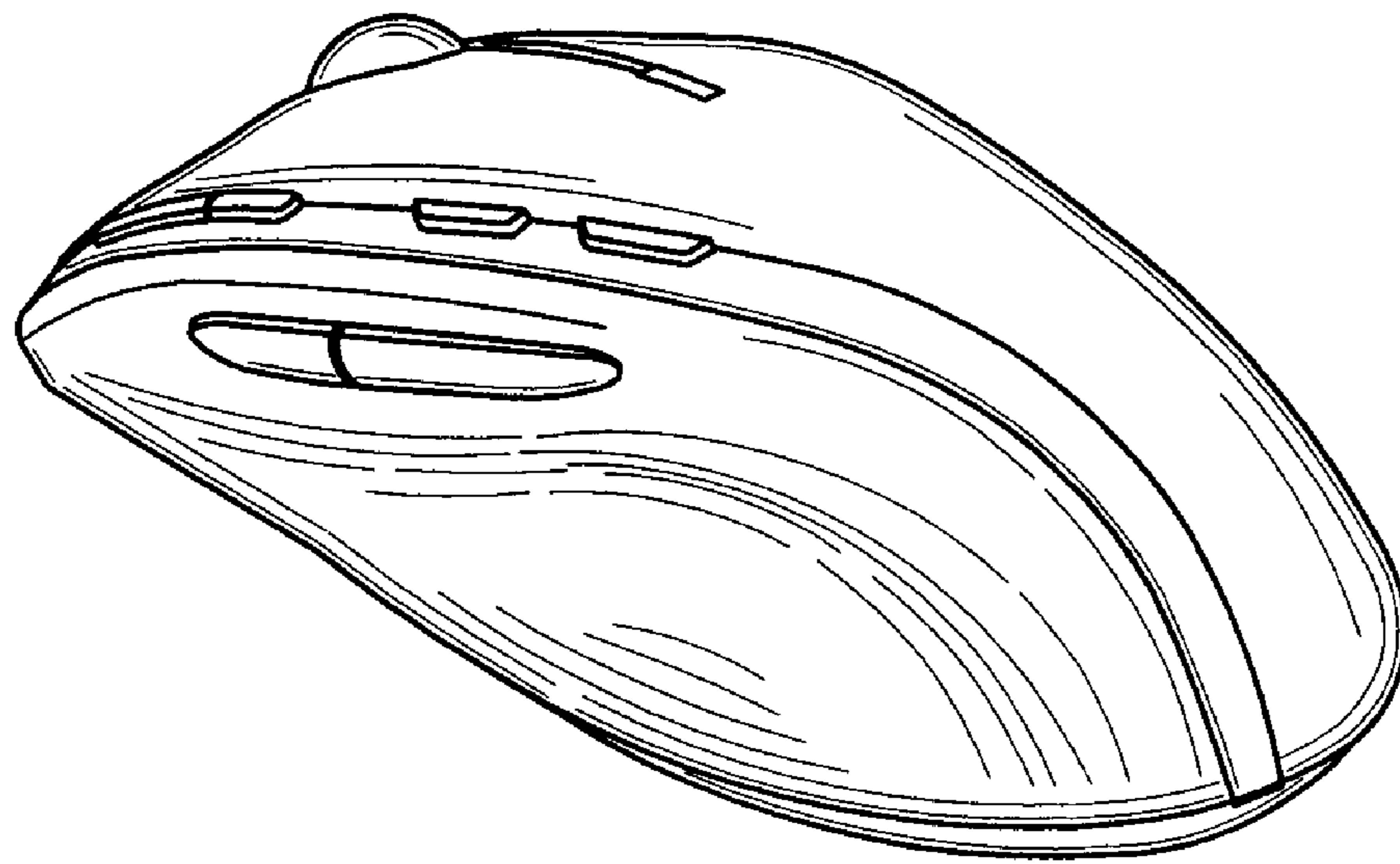


FIG. 1

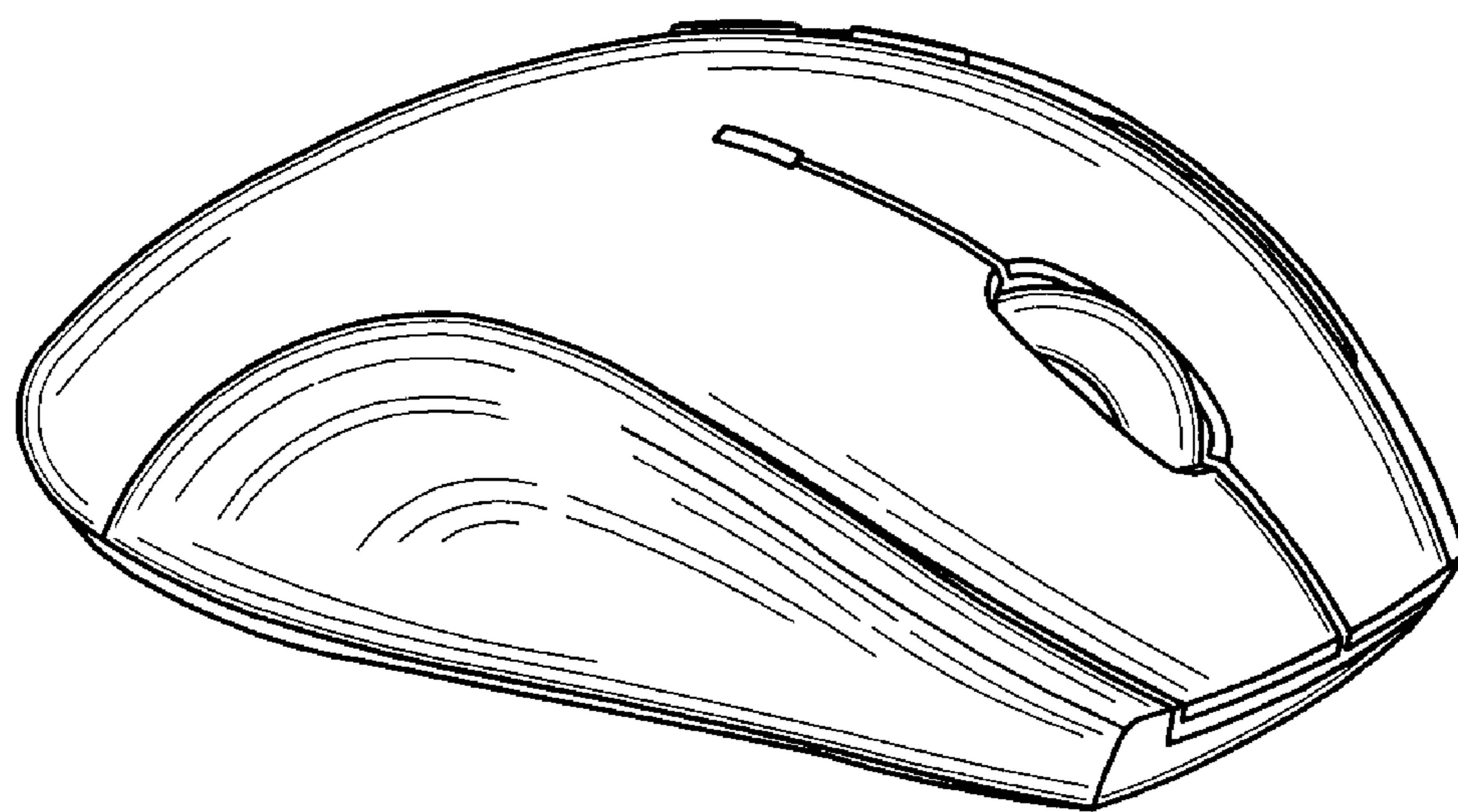


FIG. 2

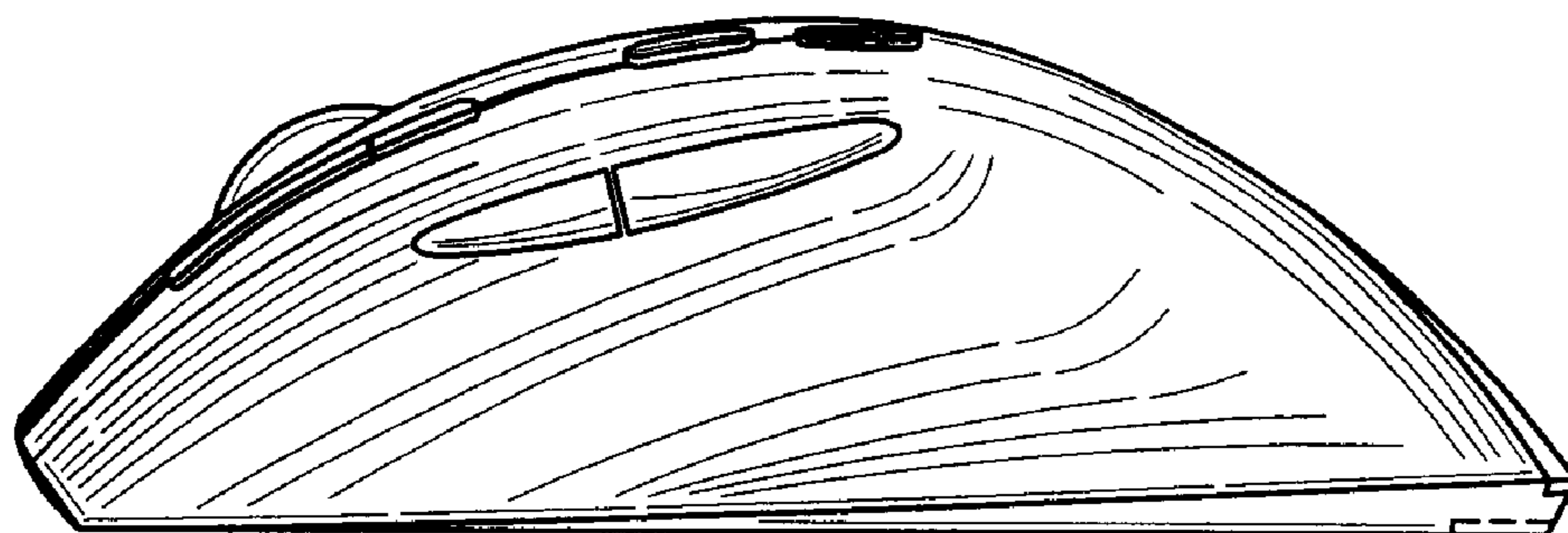


FIG. 3

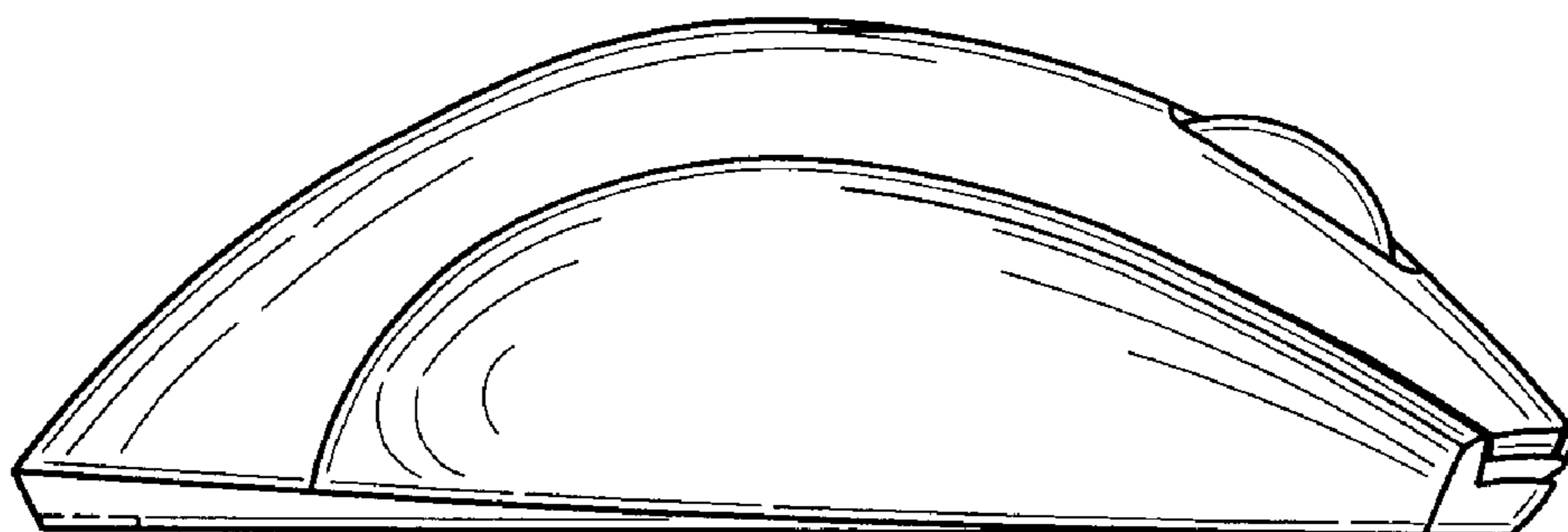


FIG. 4

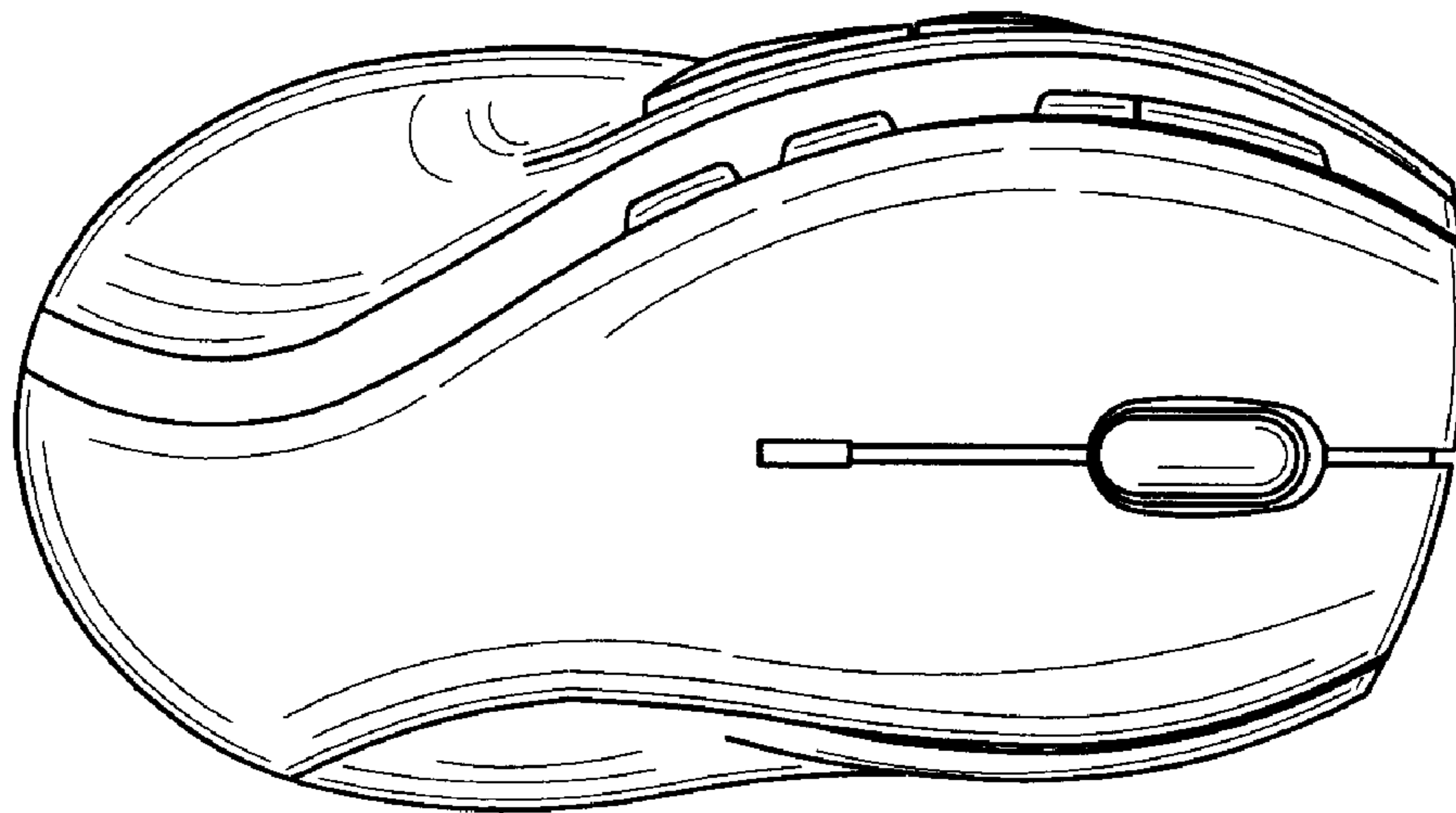


FIG. 5

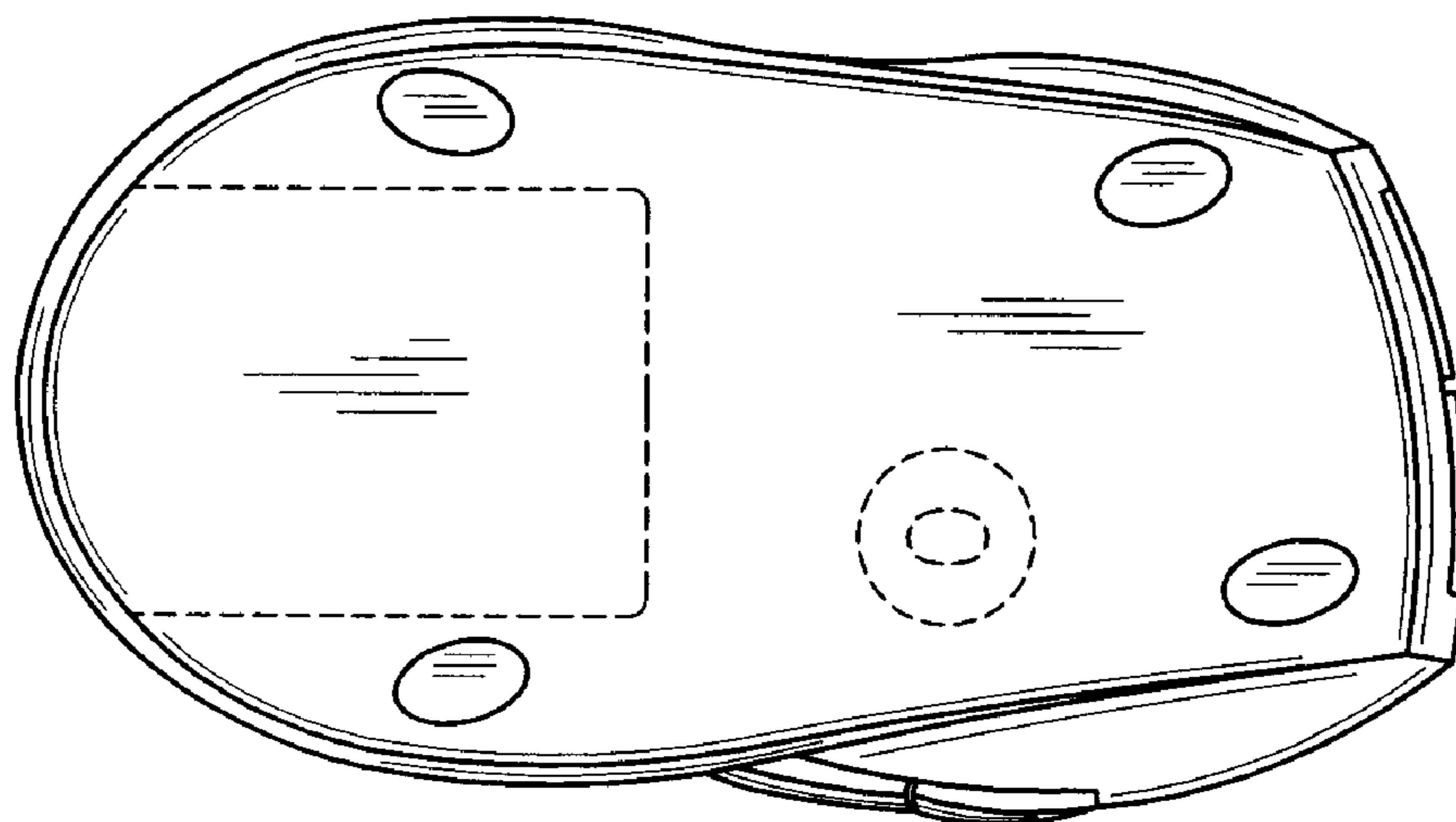


FIG. 6

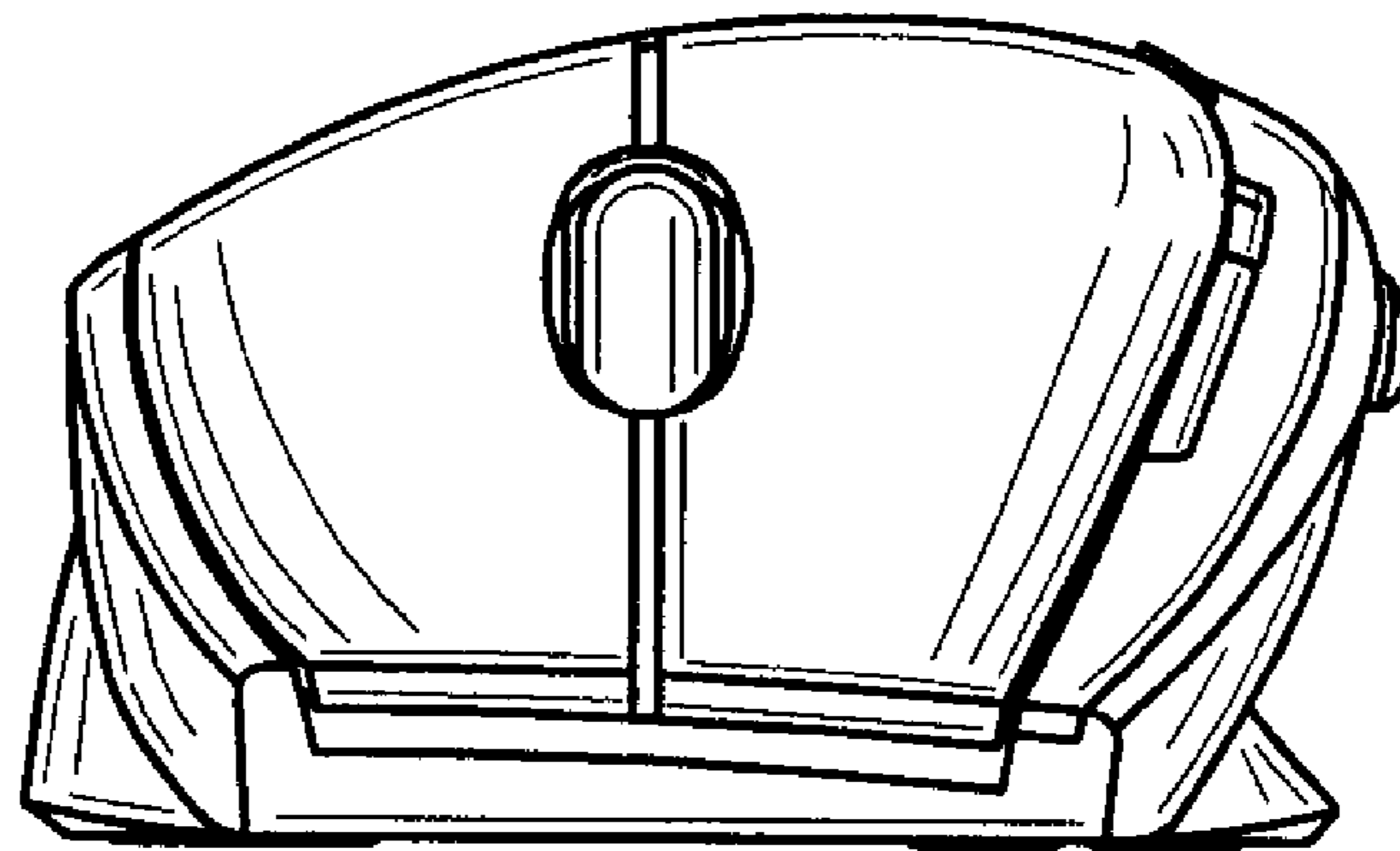


FIG. 7

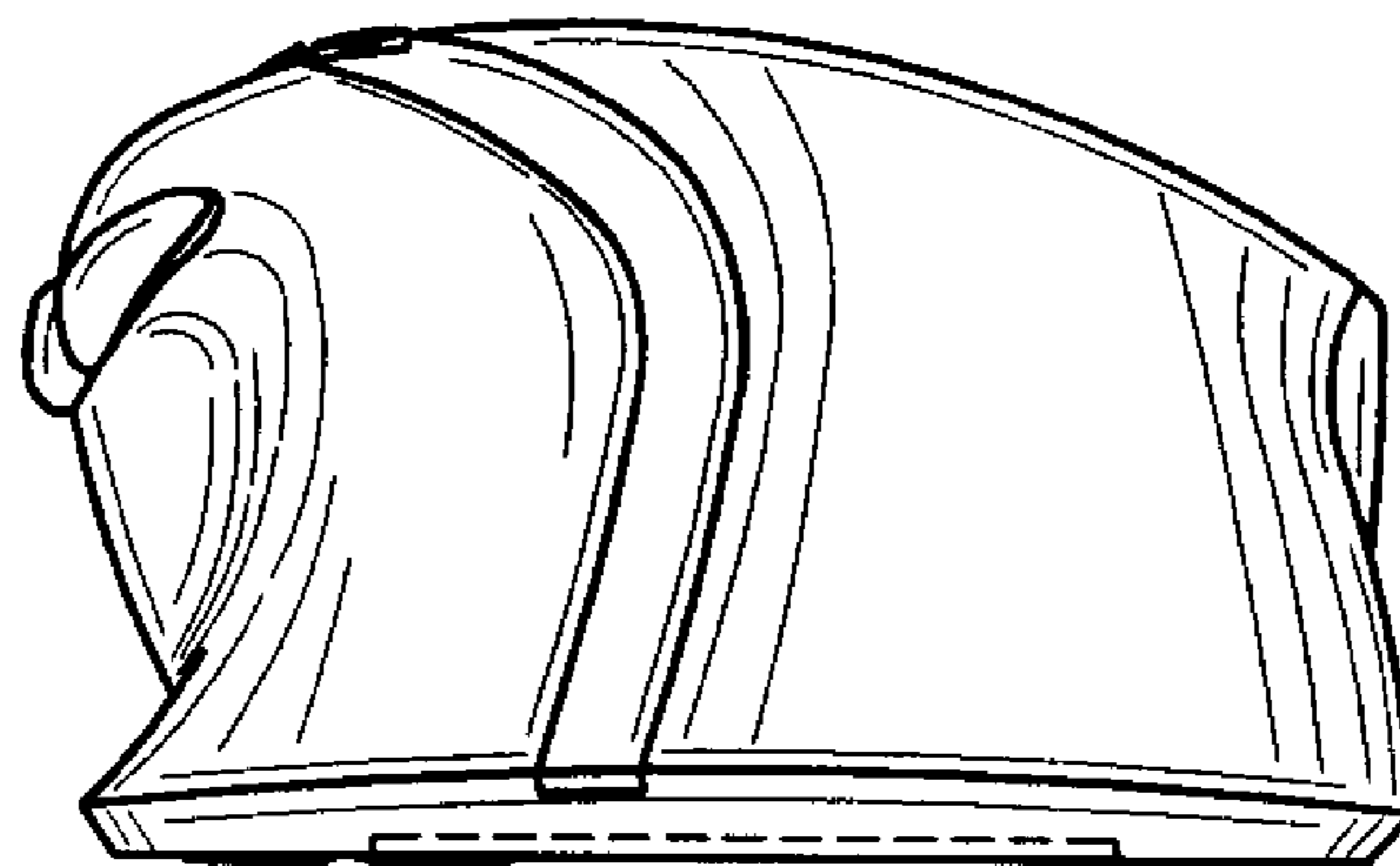


FIG. 8