



US00D519504S

(12) **United States Design Patent**  
**Tagliabue et al.**

(10) **Patent No.:** **US D519,504 S**  
(45) **Date of Patent:** **\*\* Apr. 25, 2006**

(54) **MODULAR DATA COMMUNICATION  
DEVICE**

(75) Inventors: **Giovanni Tagliabue**, Milan (IT);  
**Frazer McKimm**, Milan (IT); **Gen Ito**,  
Milan (IT)

(73) Assignee: **Pirelli S.p.A.**, Milano (IT)

(\*\*) Term: **14 Years**

(21) Appl. No.: **29/219,178**

(22) Filed: **Dec. 15, 2004**

**Related U.S. Application Data**

(62) Division of application No. 29/183,616, filed on Jun. 16,  
2003, now Pat. No. Des. 507,569.

(30) **Foreign Application Priority Data**

Dec. 17, 2002 (IT) ..... MI2002O0849

(51) **LOC (8) Cl.** ..... **14-02**

(52) **U.S. Cl.** ..... **D14/356; D14/434**

(58) **Field of Classification Search** ..... D14/356,  
D14/358, 434, 432-3, 188, 191, 155; 361/679-87,  
361/600, 622, 627-36, 724-5; 312/223.1,  
312/223.2

See application file for complete search history.

(56) **References Cited**

**U.S. PATENT DOCUMENTS**

5,515,239 A 5/1996 Kamerman et al. .... 361/727

5,604,662 A 2/1997 Anderson et al. .... 361/685  
D391,944 S 3/1998 Han ..... D14/356  
5,835,353 A 11/1998 Dalby ..... 361/727  
D435,558 S \* 12/2000 Tong et al. .... D14/434  
D436,109 S 1/2001 Tong et al. .... D14/434  
D458,606 S 6/2002 Tritschler et al. .... D14/398  
D458,608 S 6/2002 Tong et al. .... D14/434  
D465,223 S 11/2002 Milan ..... D14/434

**FOREIGN PATENT DOCUMENTS**

KR 173968 2/1996  
WO PCT/EP 02/14482 12/2002

\* cited by examiner

*Primary Examiner*—M. H. Tung

(74) *Attorney, Agent, or Firm*—Finnegan, Henderson,  
Farabow, Garrett & Dunner, L.L.P.

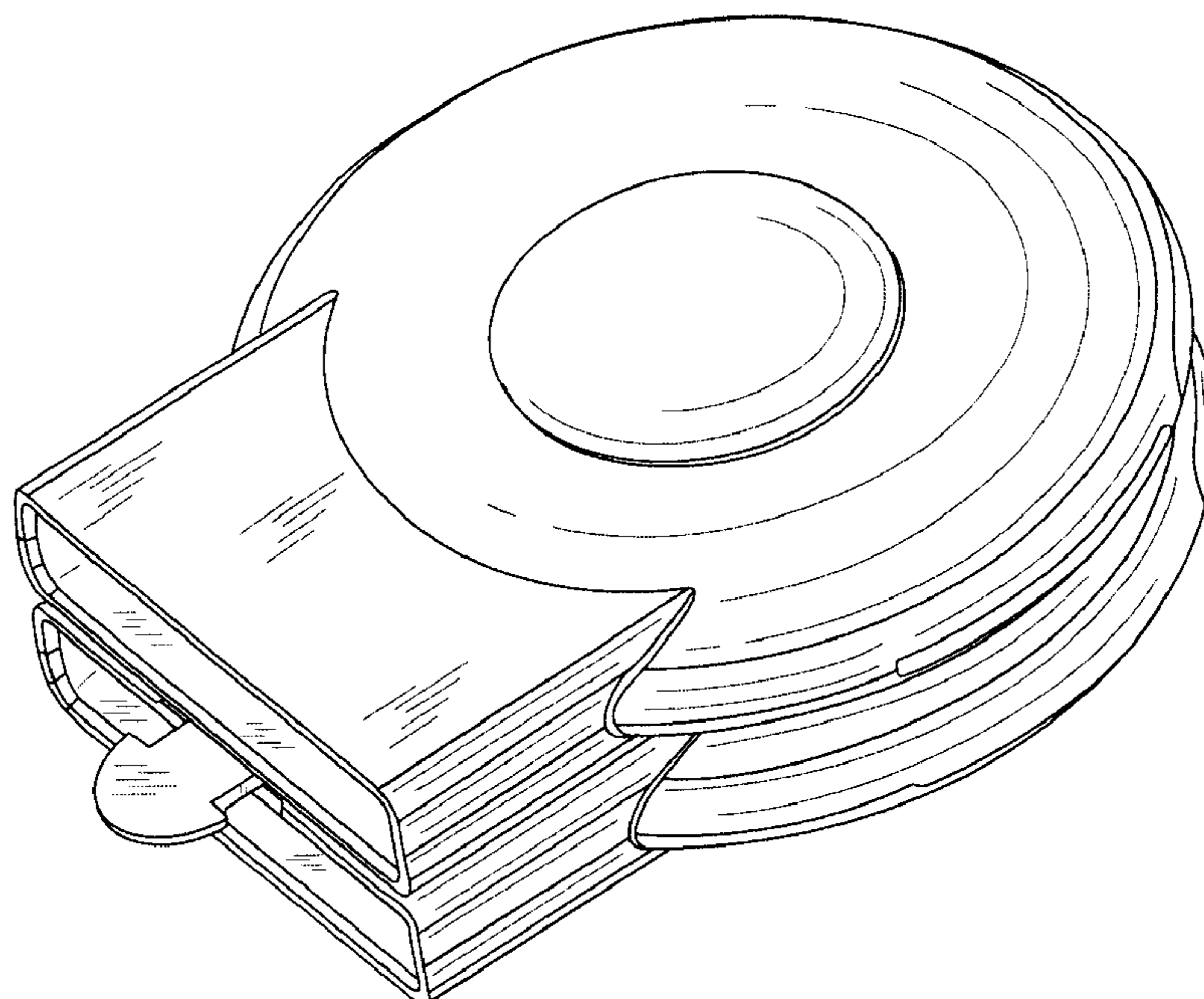
(57) **CLAIM**

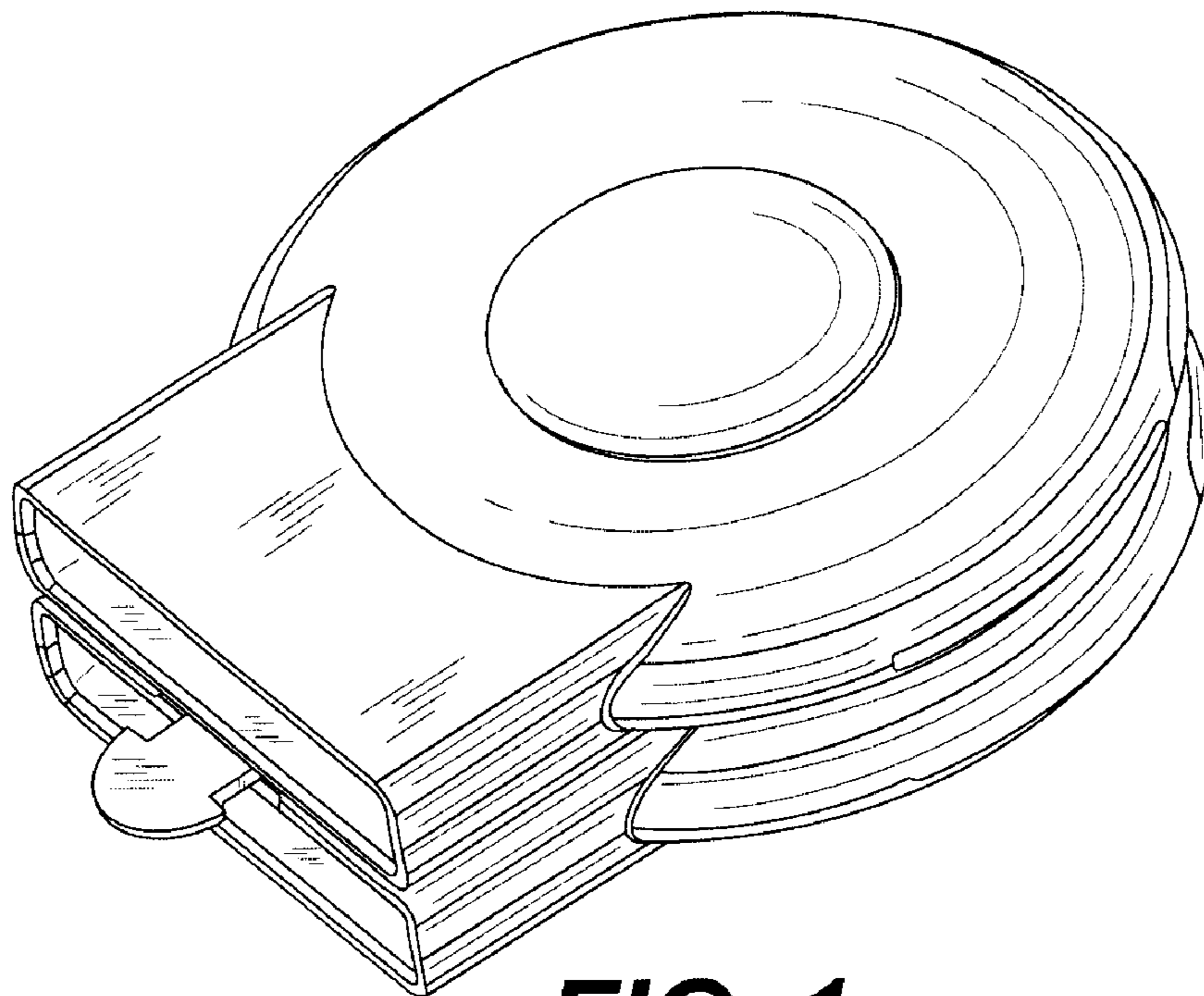
The ornamental design for the modular data communication  
device, as shown.

**DESCRIPTION**

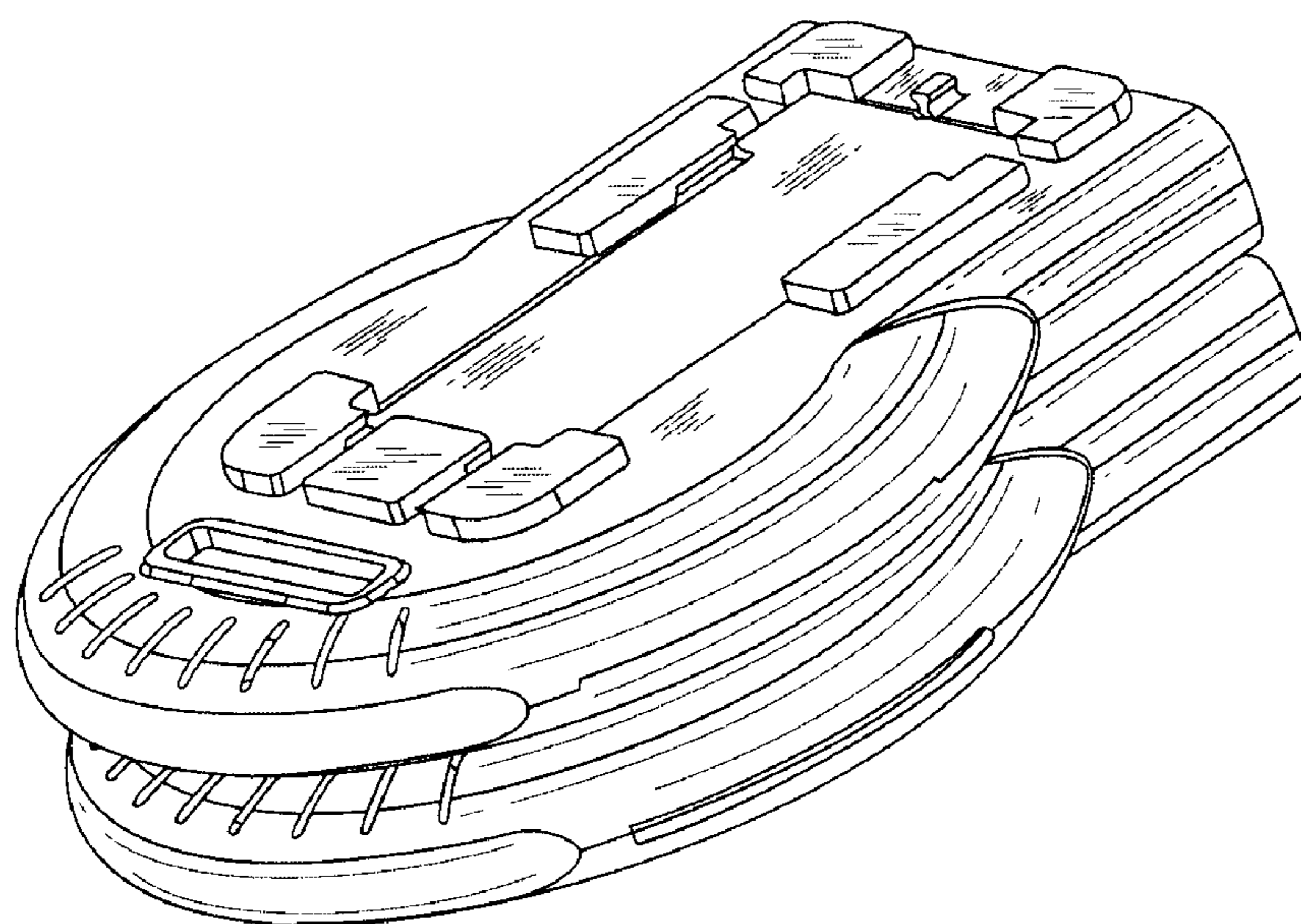
FIG. 1 is a top, left, rear perspective view thereof;  
FIG. 2 is a bottom, left, rear perspective view thereof;  
FIG. 3 is a rear view thereof;  
FIG. 4 is a front view thereof;  
FIG. 5 is a right side view thereof;  
FIG. 6 is a left side view thereof;  
FIG. 7 is a top plan view thereof; and,  
FIG. 8 is a bottom plan view thereof.

**1 Claim, 4 Drawing Sheets**

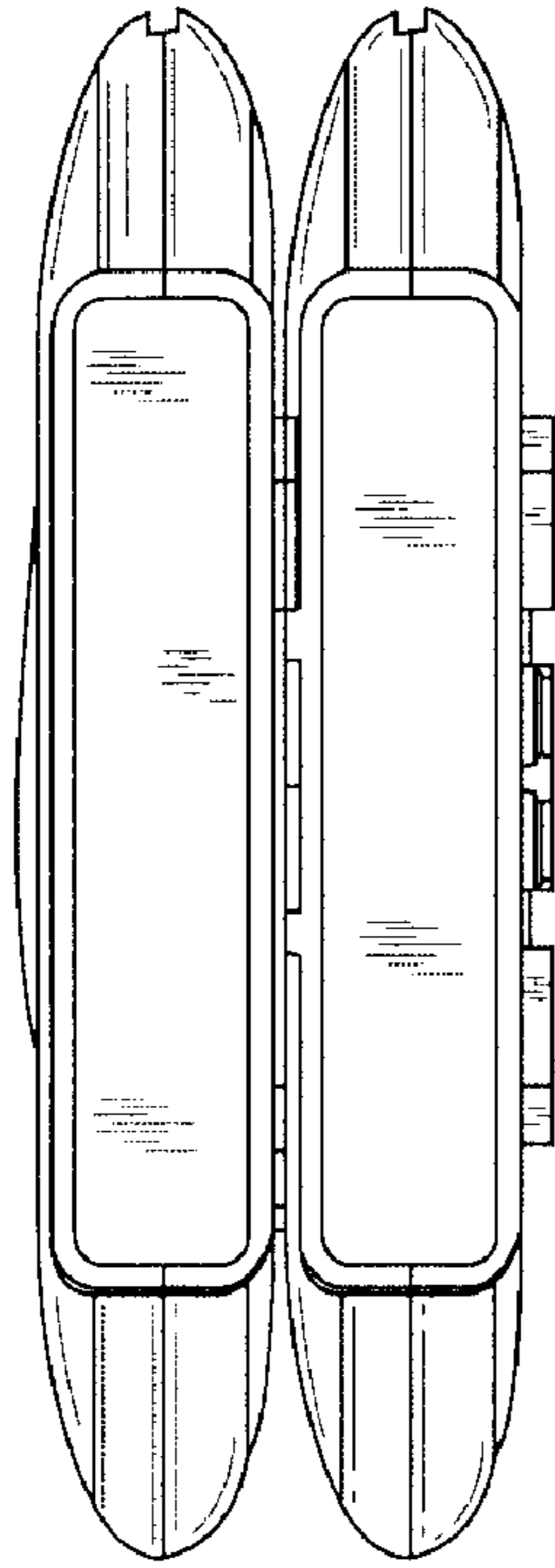




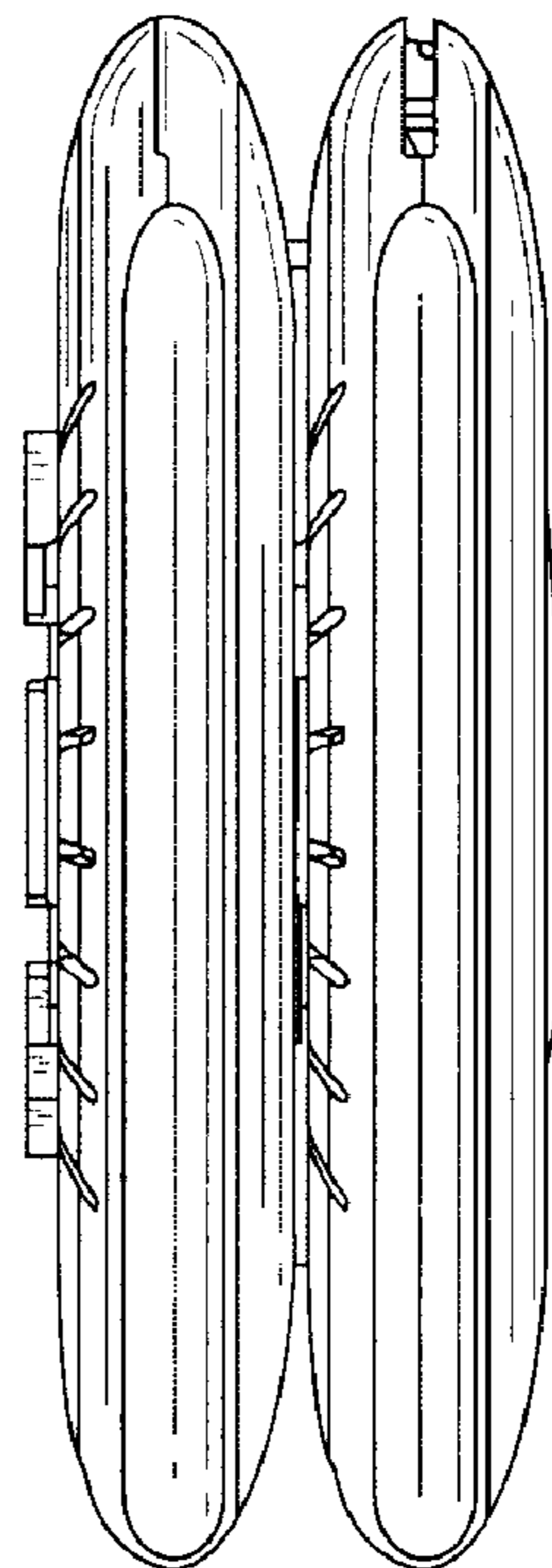
**FIG. 1**



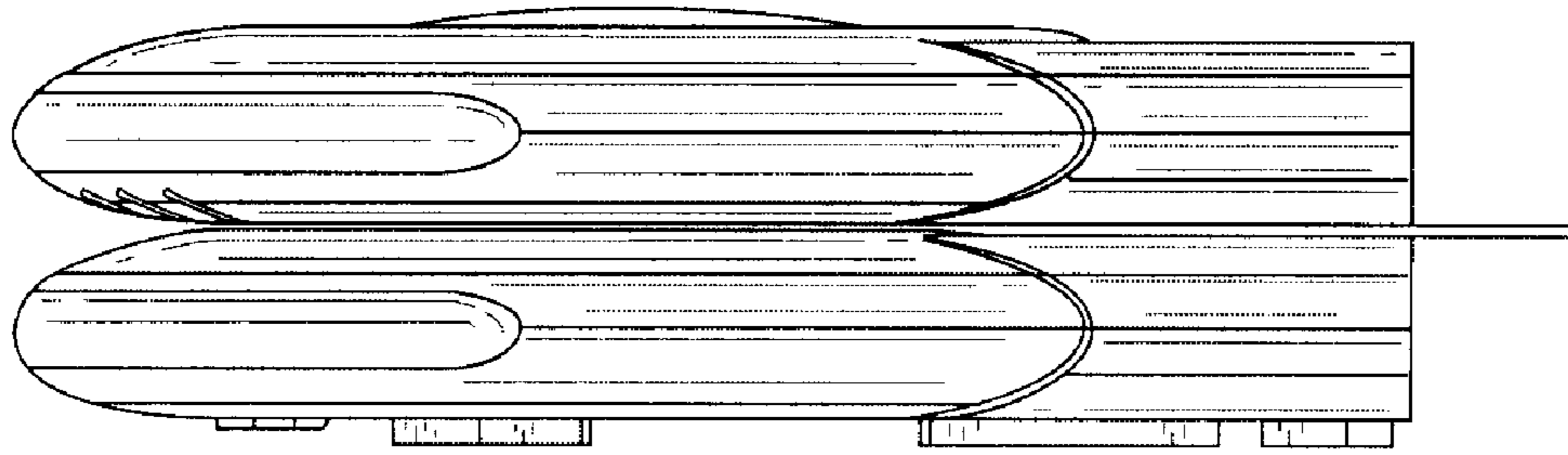
**FIG. 2**



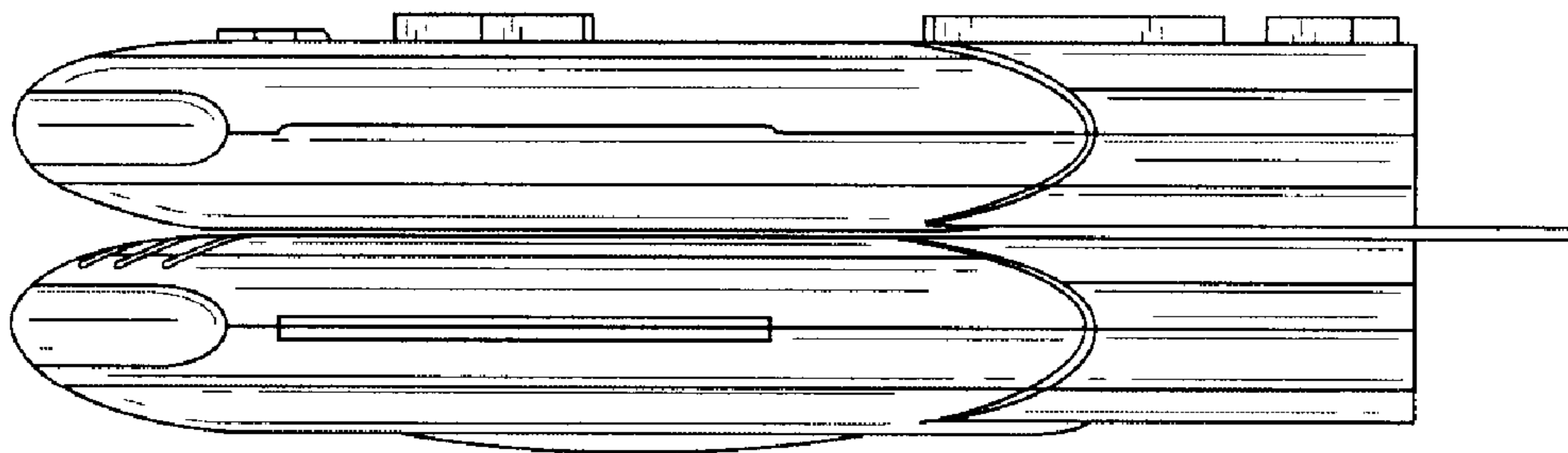
**FIG. 3**



**FIG. 4**

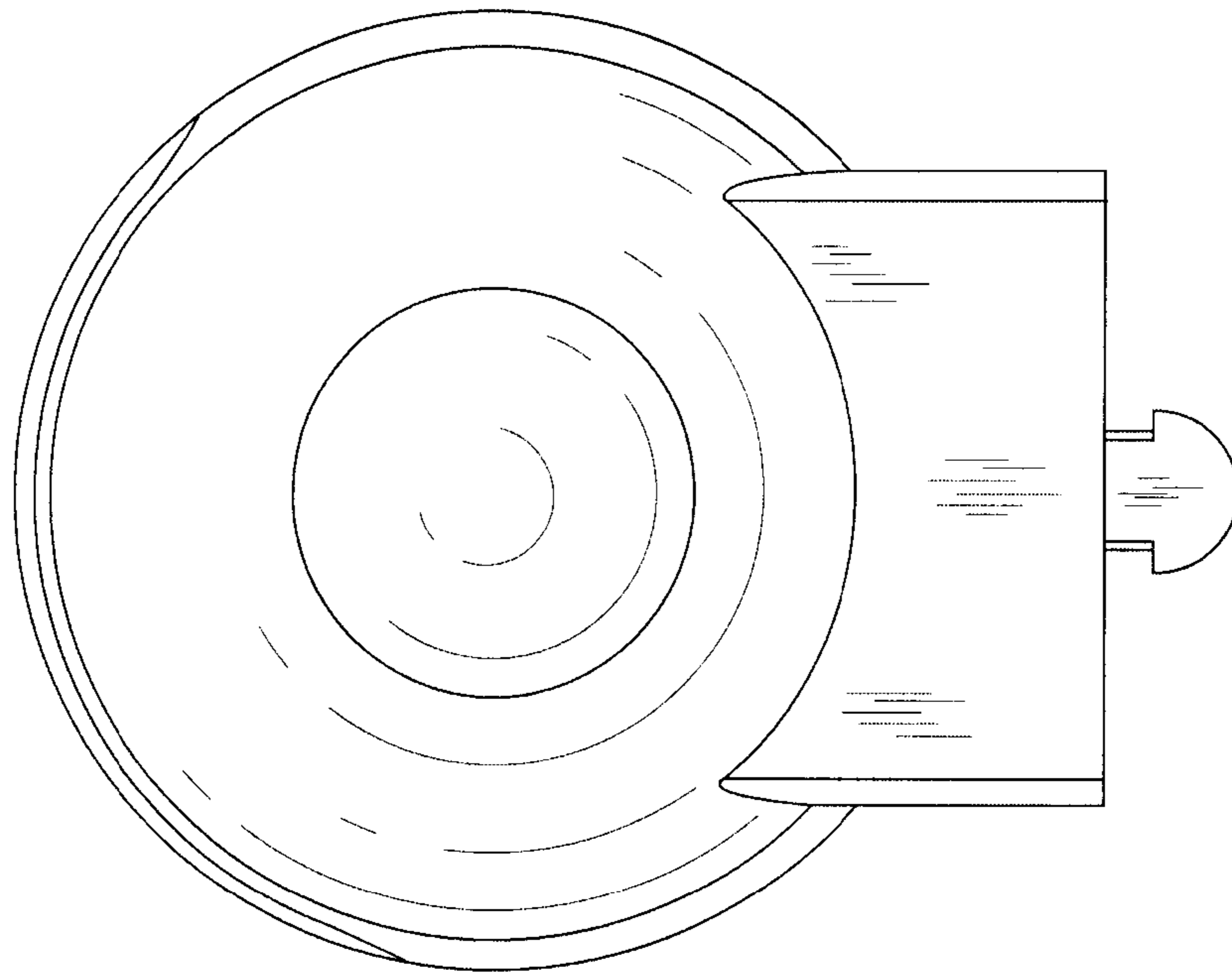


**FIG. 5**

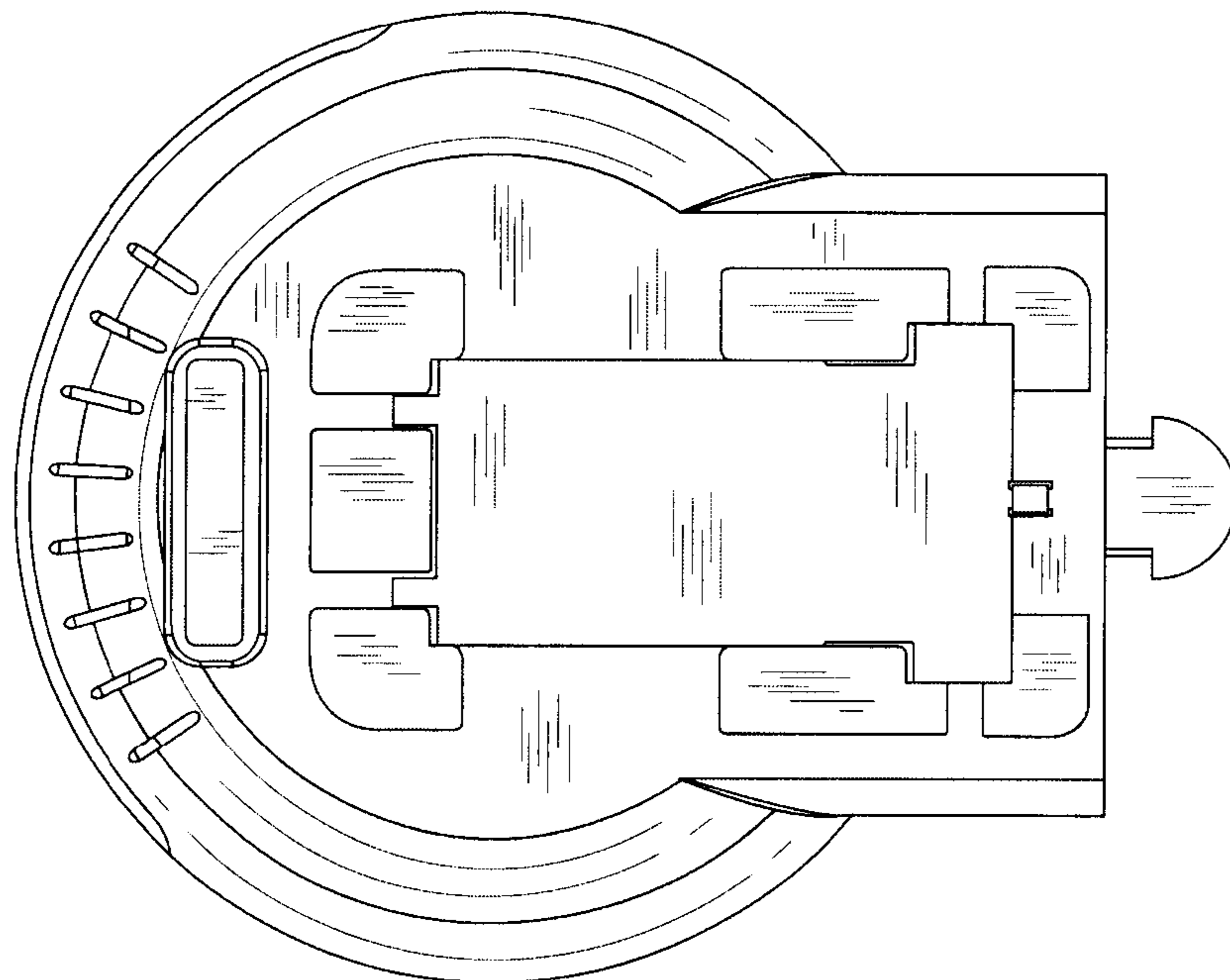


**FIG. 6**





**FIG. 7**



**FIG. 8**