

US00D519503S

(12) **United States Design Patent** (10) **Patent No.:** **US D519,503 S**
Aqqad et al. (45) **Date of Patent:** **** Apr. 25, 2006**

(54) **HOUSING FOR PORTABLE MEMORY UNIT**

(75) Inventors: **Ahmad Aqqad**, Bellevue, WA (US);
Kyu Lee, Tacoma, WA (US)

(73) Assignee: **JMTEK, LLC**, Kent, WA (US)

(**) Term: **14 Years**

(21) Appl. No.: **29/171,272**

(22) Filed: **Nov. 18, 2002**

(51) **LOC (8) Cl.** **14-02**

(52) **U.S. Cl.** **D14/356**

(58) **Field of Classification Search** D14/356,
D14/43, 434; 710/62, 74; 361/684
See application file for complete search history.

(56) **References Cited**

U.S. PATENT DOCUMENTS

D379,975	S	*	6/1997	Grewe et al.	D14/385
D389,138	S	*	1/1998	Oshima et al.	D14/125
D449,615	S	*	10/2001	Lloyd	D14/433
6,447,140	B1	*	9/2002	Lu	362/109
6,456,500	B1	*	9/2002	Chen	361/752
D470,499	S	*	2/2003	Salazar et al.	D14/436
6,522,534	B1	*	2/2003	Wu	361/686
6,618,243	B1	*	9/2003	Tirosh	361/683
2003/0099090	A1	*	5/2003	Su	361/685
2003/0137859	A1	*	7/2003	Sugawara	365/51
2003/0167376	A1	*	9/2003	Koh	711/115
2003/0223286	A1	*	12/2003	Lee	365/200
2004/0010656	A1	*	1/2004	Chiao et al.	711/103

* cited by examiner

Primary Examiner—Alan P. Douglas
Assistant Examiner—Susan M Lee

(74) *Attorney, Agent, or Firm*—Christensen O'Connor Johnson Kindness PLLC

(57) **CLAIM**

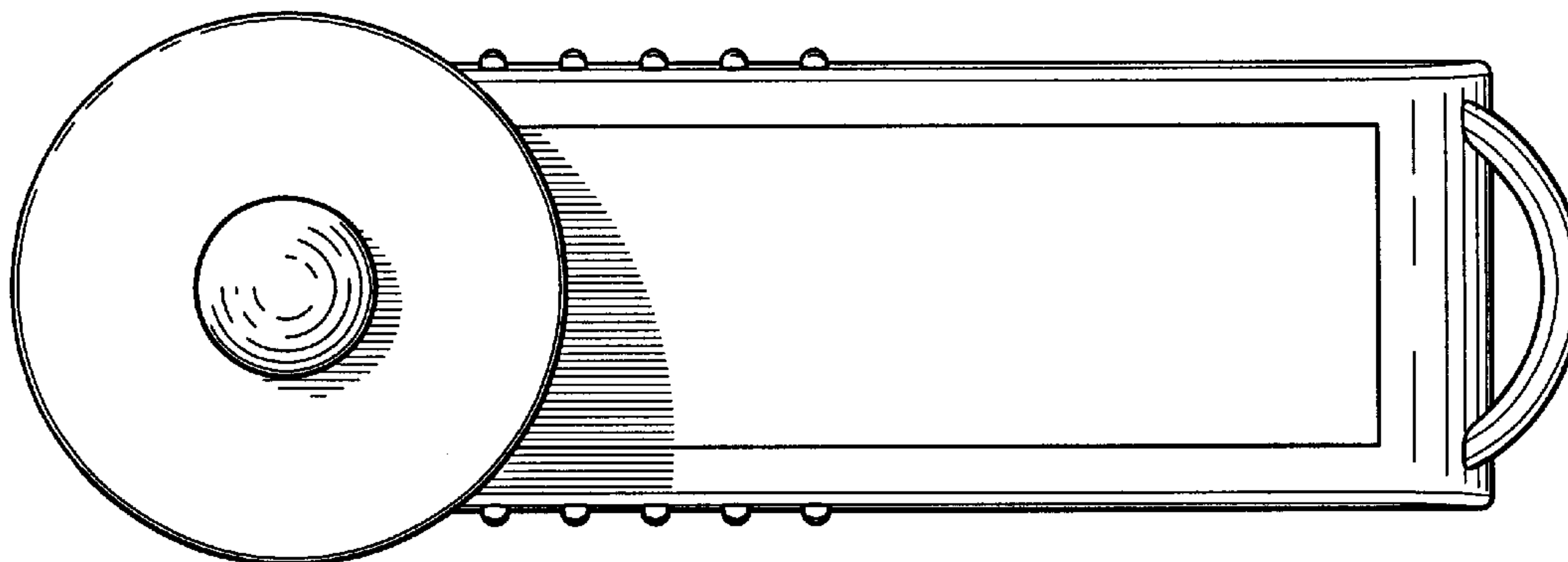
The ornamental design for a housing for portable memory unit, as shown and described.

DESCRIPTION

FIG. 1 is a top view of the housing, formed in accordance with one embodiment of the present invention;
 FIG. 2 is a bottom view of the housing shown in FIG. 1;
 FIG. 3 is a right side view of the housing of FIG. 1, which is a mirror image of the left side view of the housing shown in FIG. 1;
 FIG. 4 is a back view of the housing shown in FIG. 1;
 FIG. 5 is a front view of the housing shown in FIG. 1;
 FIG. 6 is an exploded right side view of the housing of FIG. 1, which is a mirror image of an exploded left side view of the housing of FIG. 1;
 FIG. 7 is an exploded top view of the housing of FIG. 1;
 FIG. 8 is a top view of a housing formed in accordance with another embodiment of the present invention;
 FIG. 9 is a bottom view of the housing shown in FIG. 8;
 FIG. 10 is right side view of the housing shown in FIG. 8, which is a mirror image of the left side view of the housing shown in FIG. 8.
 FIG. 11 is a back side view of the housing shown in FIG. 8;
 FIG. 12 is a front side view of the housing shown in FIG. 8;
 FIG. 13 is an exploded top view of the housing shown in FIG. 8; and,
 FIG. 14 is an exploded right side view of the housing shown in FIG. 8, which is a mirror image of an exploded left side view of the housing shown in FIG. 8.

The following features shown in the drawings are hereby disclaimed: The shadows illustrated by the parallel lines.

1 Claim, 4 Drawing Sheets



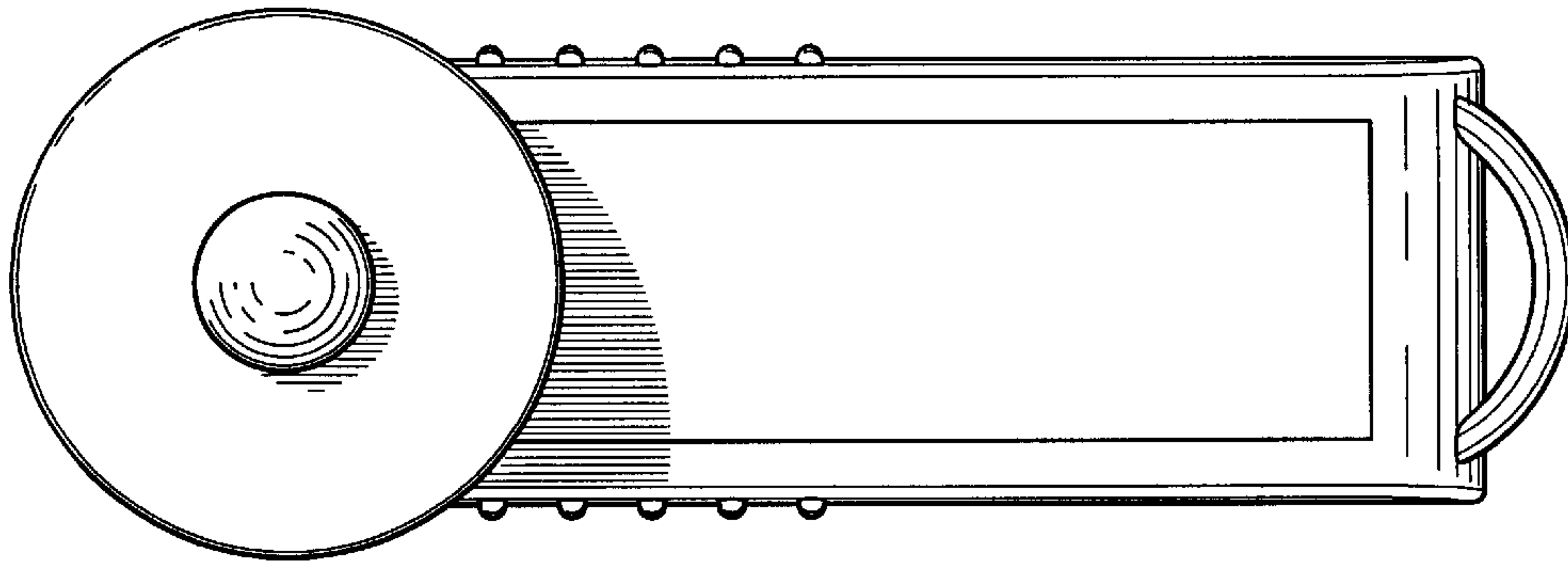


Fig. 1.

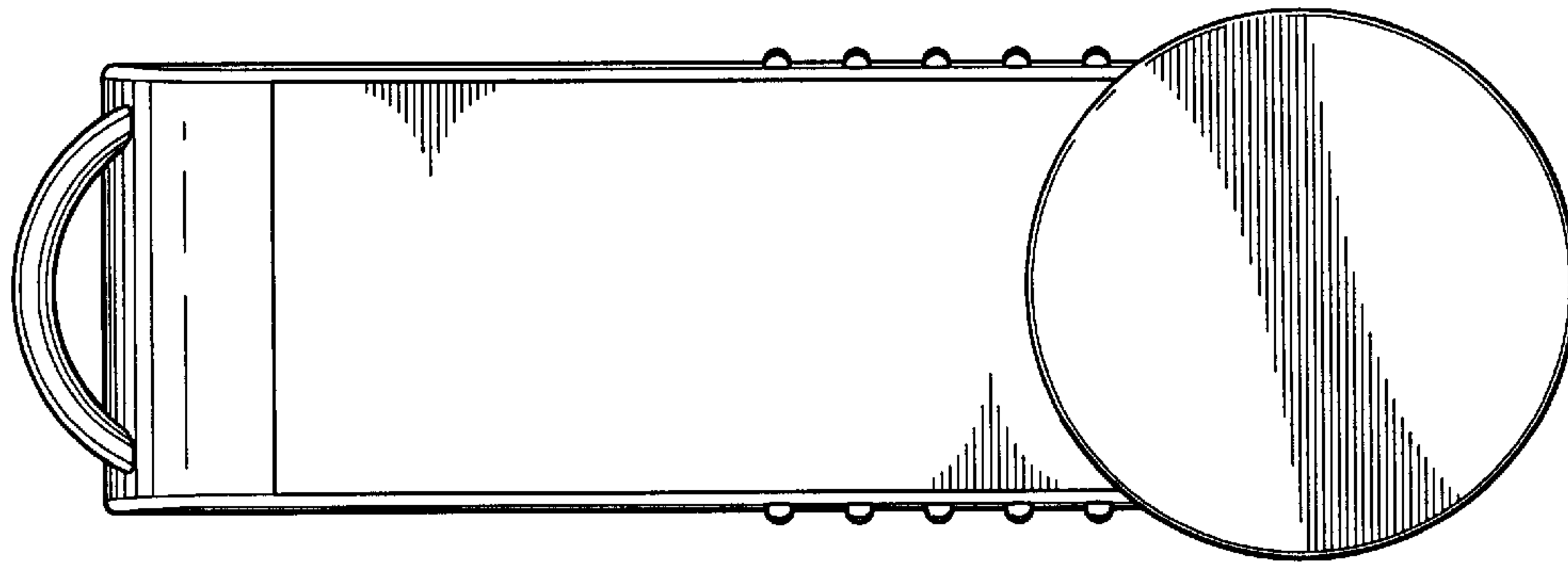


Fig. 2.

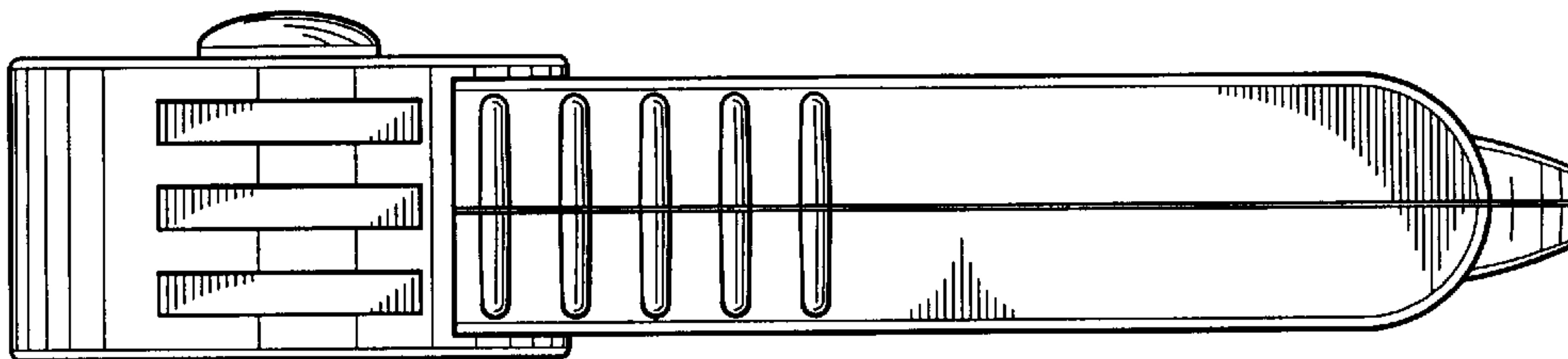


Fig. 3.

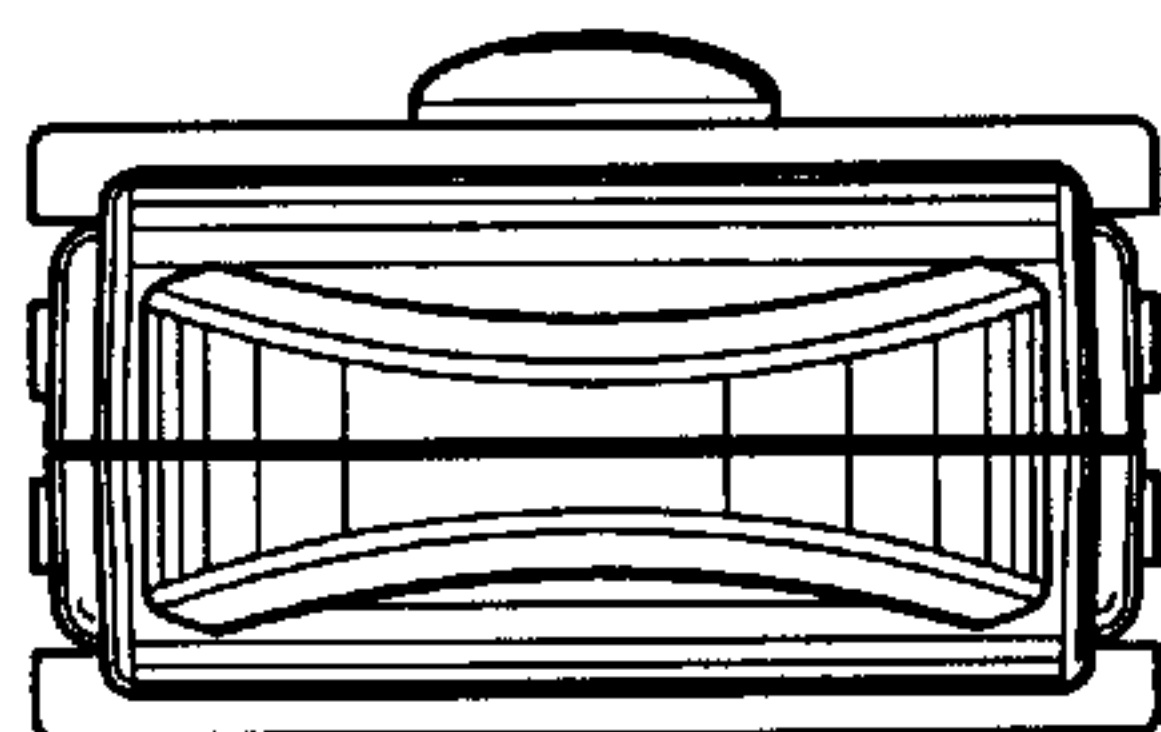


Fig. 4.

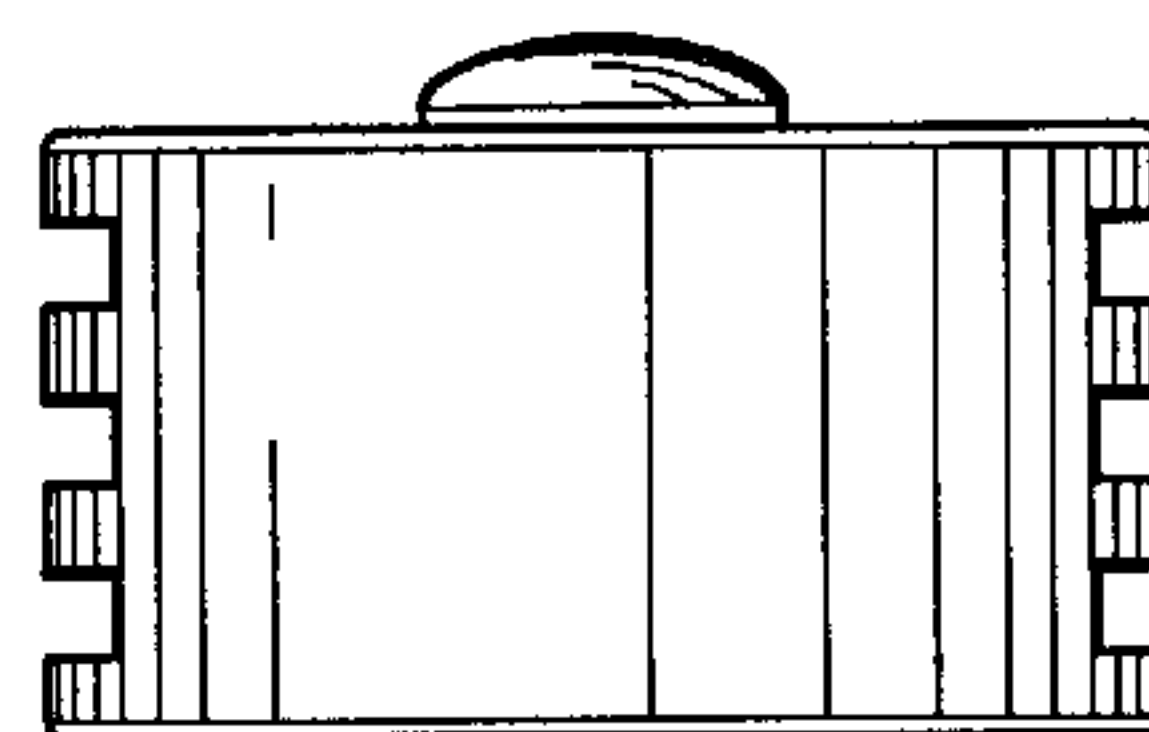


Fig. 5.

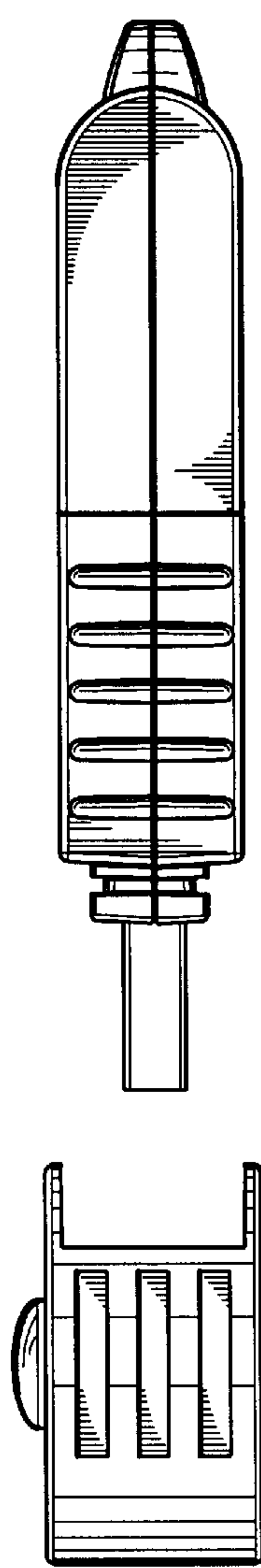


Fig. 6.

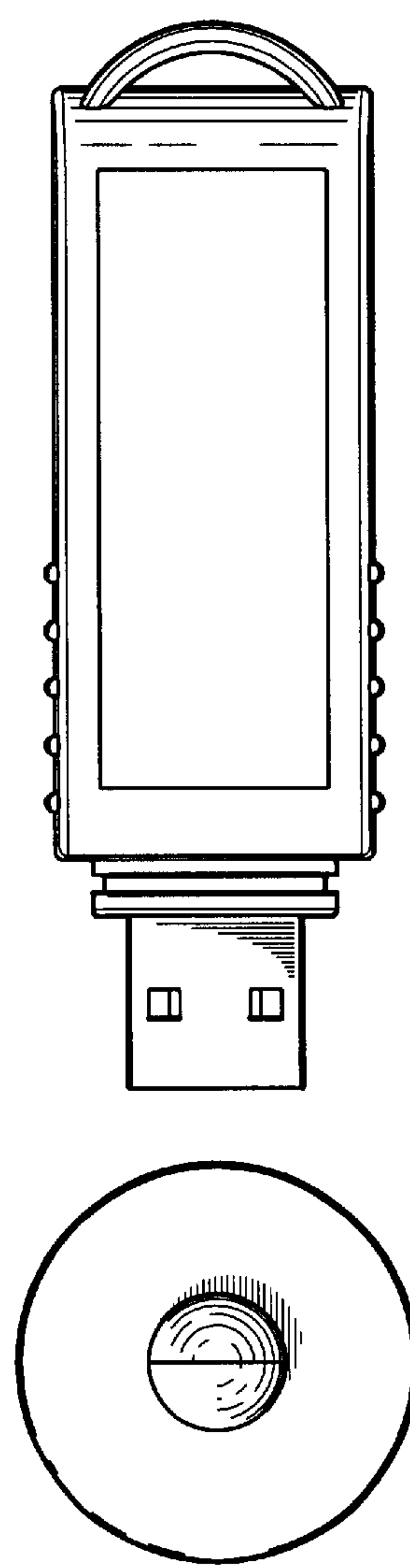


Fig. 7.

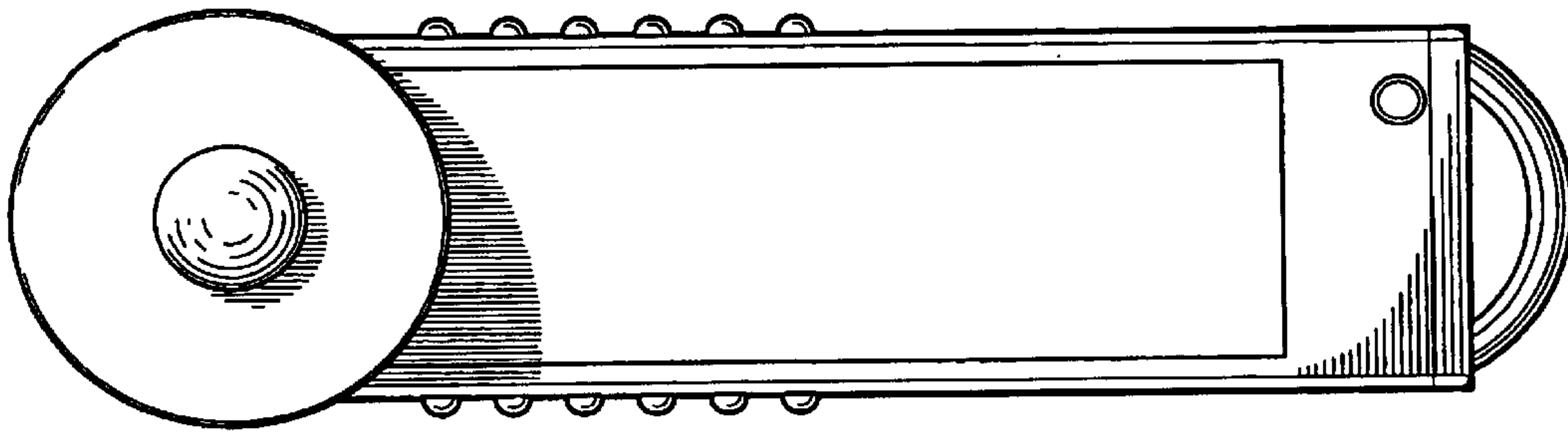


Fig. 8.

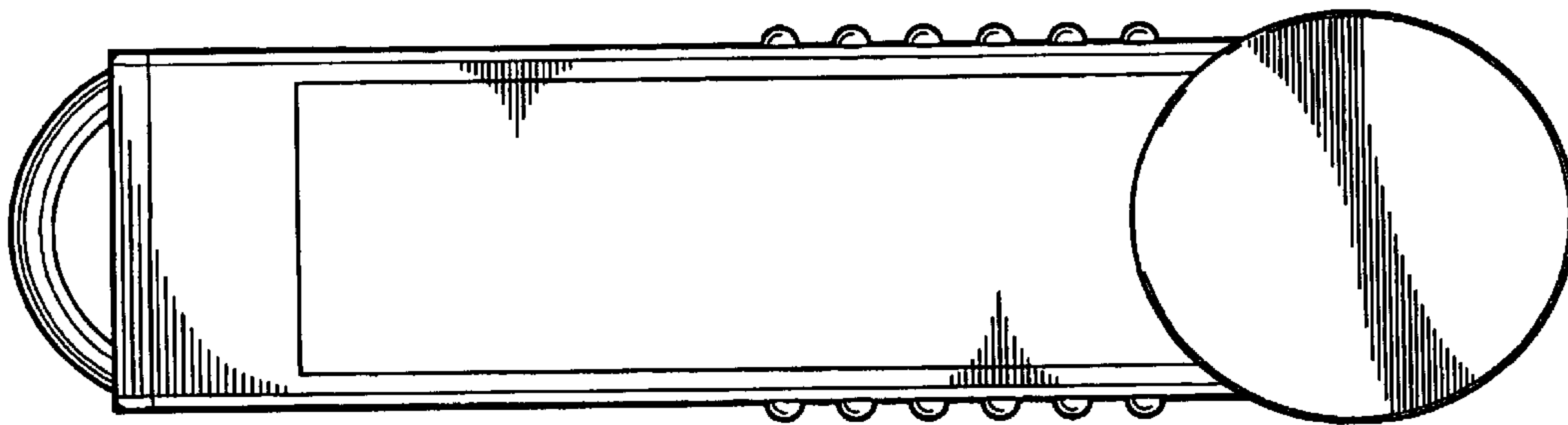


Fig. 9.

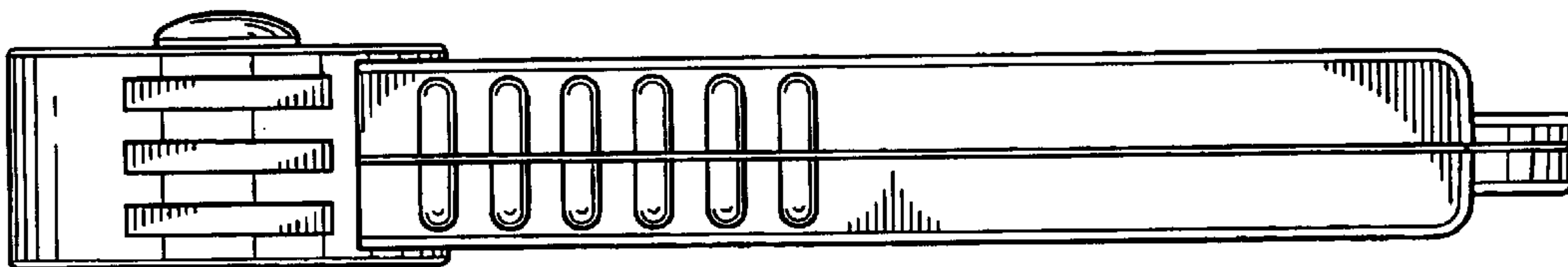


Fig. 10.

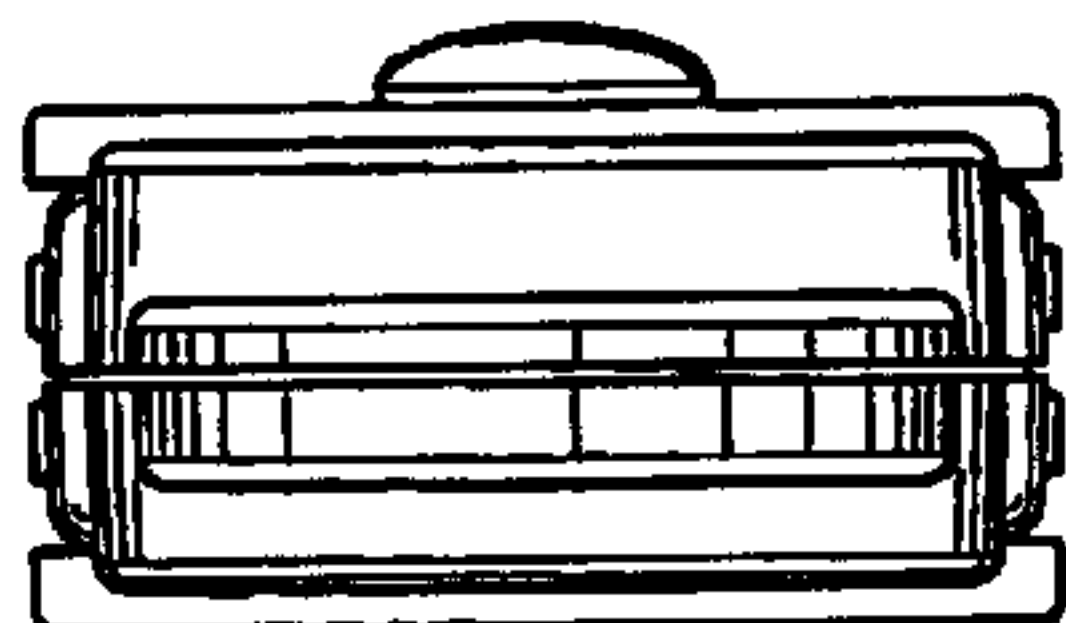


Fig. 11.

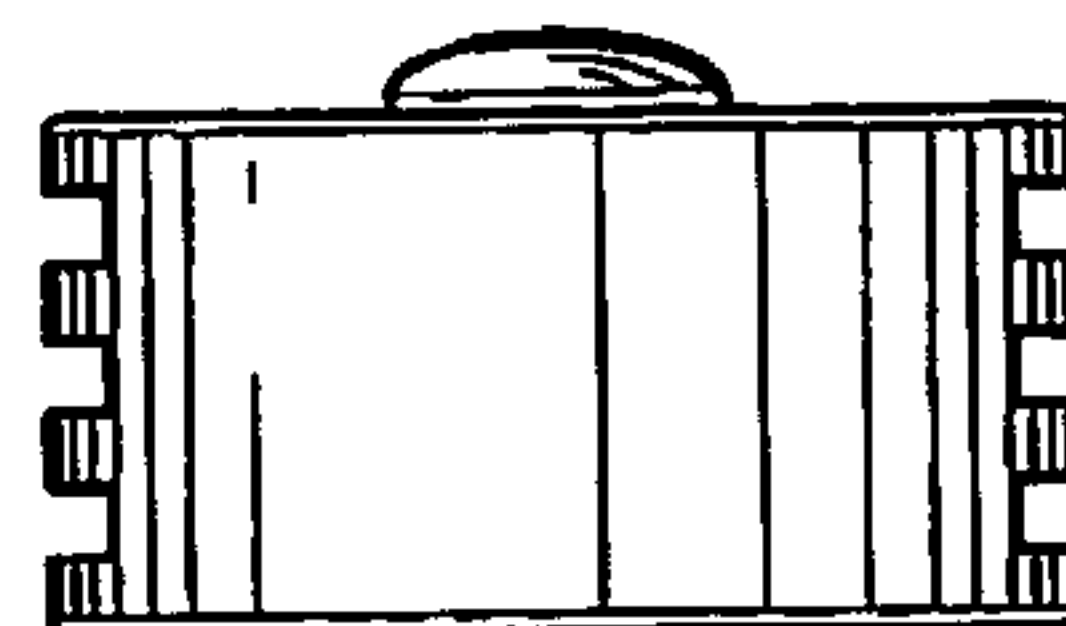


Fig. 12.

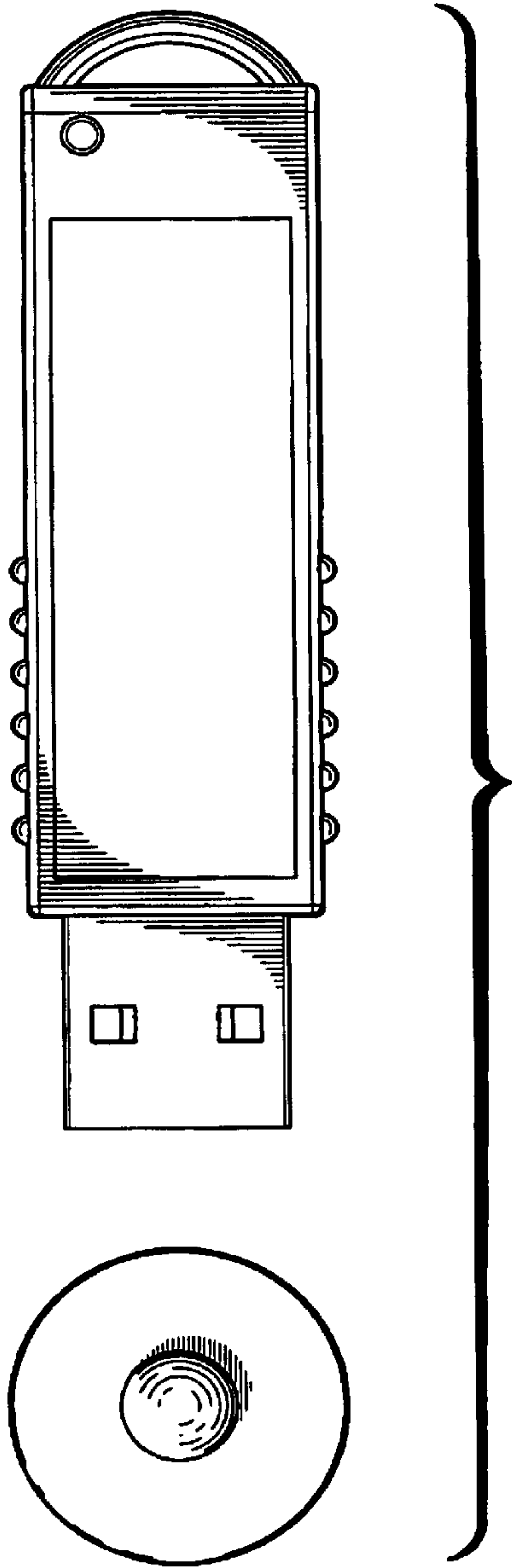


Fig. 13.

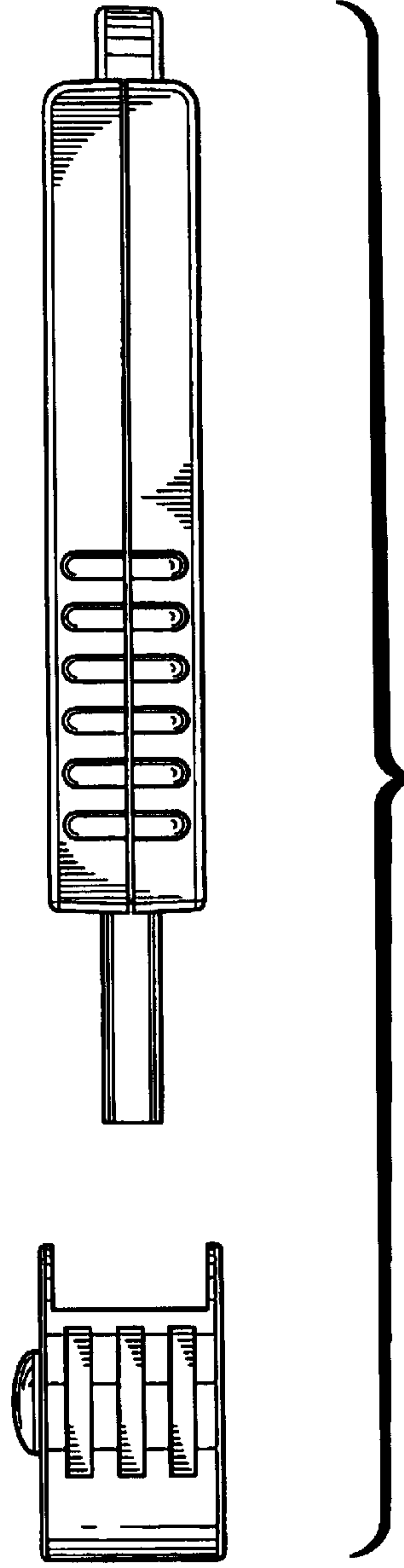


Fig. 14.