



US00D519501S

(12) **United States Design Patent**
Yamashiro

(10) **Patent No.:** **US D519,501 S**
(45) **Date of Patent:** **** Apr. 25, 2006**

(54) **COMPUTER**

(75) Inventor: **Chieko Yamashiro**, Osaka-fu (JP)

(73) Assignee: **Sharp Kabushiki Kaisha**, Osaka (JP)

(**) Term: **14 Years**

(21) Appl. No.: **29/227,038**

(22) Filed: **Apr. 6, 2005**

(30) **Foreign Application Priority Data**

Oct. 18, 2004 (JP) 2004-031517

(51) **LOC (8) Cl.** **14-02**

(52) **U.S. Cl.** **D14/318**

(58) **Field of Classification Search** D14/315-322;
D18/1, 2, 7, 11; 235/145 A, 145 R; 341/22,
341/23; 345/104, 156, 168, 169, 173, 87,
345/901-905; 361/680-686; 398/115
See application file for complete search history.

(56) **References Cited**

U.S. PATENT DOCUMENTS

D330,016 S	10/1992	Mizusugi et al.
D334,182 S	3/1993	Mizusugi et al.
D335,124 S	4/1993	Mizusugi et al.
D338,880 S	8/1993	Mizusugi et al.
D339,114 S	9/1993	Mizusugi et al.
D340,920 S	11/1993	Okuda et al.
D340,921 S	11/1993	Mizusugi et al.
D343,167 S	1/1994	Mizusugi et al.
D344,496 S	2/1994	Mizusugi et al.
D357,674 S	4/1995	Mizusugi
D380,459 S	7/1997	Tanimura
D384,043 S	9/1997	Tamaki
D385,856 S	11/1997	Kawa
D398,904 S	9/1998	Tamaki et al.
D405,434 S	2/1999	Mizuno
D410,901 S	6/1999	Tanimura
D411,181 S	6/1999	Tamaki et al.
D412,156 S	7/1999	Mizusugi
D413,107 S	8/1999	Kawa et al.
D415,466 S	10/1999	Kawa
D419,535 S	1/2000	Tanimura

D421,972 S	3/2000	Makidera et al.
D425,874 S	5/2000	Tanimura
D426,835 S	6/2000	Tanimura
D431,821 S	10/2000	Mizuno
D442,172 S	5/2001	Mizuno
D444,462 S	7/2001	Tsuji
6,262,824 B1 *	7/2001	Sasaki et al. 398/115
D476,326 S	6/2003	Tanimura
D483,355 S	12/2003	Kawa
D488,807 S *	4/2004	Ogasawara D14/318
D492,677 S	7/2004	Shimizu
D494,162 S *	8/2004	Kondo D14/318
D499,726 S *	12/2004	Kurokawa D14/318

OTHER PUBLICATIONS

U.S. Appl. No. 29/211,056 for Personal Computer filed Aug. 11, 2004.

* cited by examiner

Primary Examiner—Freda S. Nunn
(74) *Attorney, Agent, or Firm*—Nixon & Vanderhye P.C.

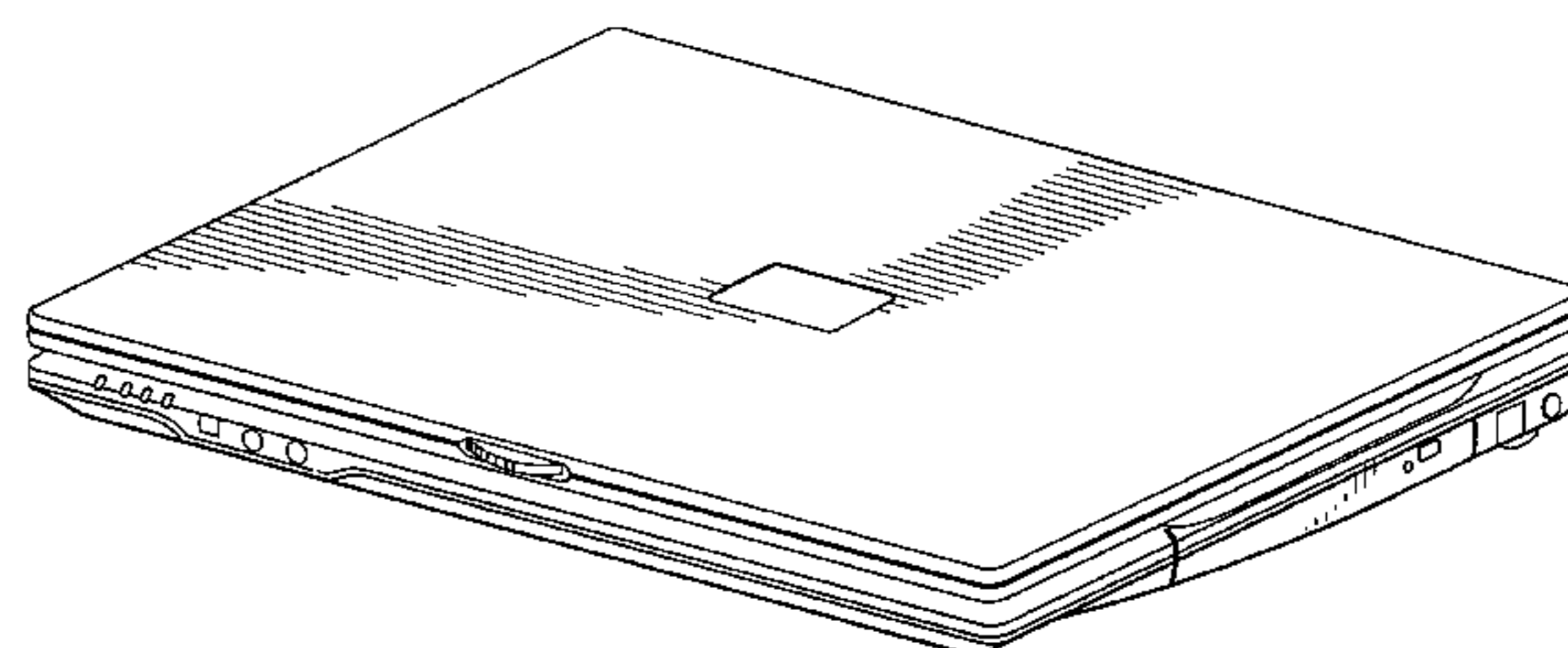
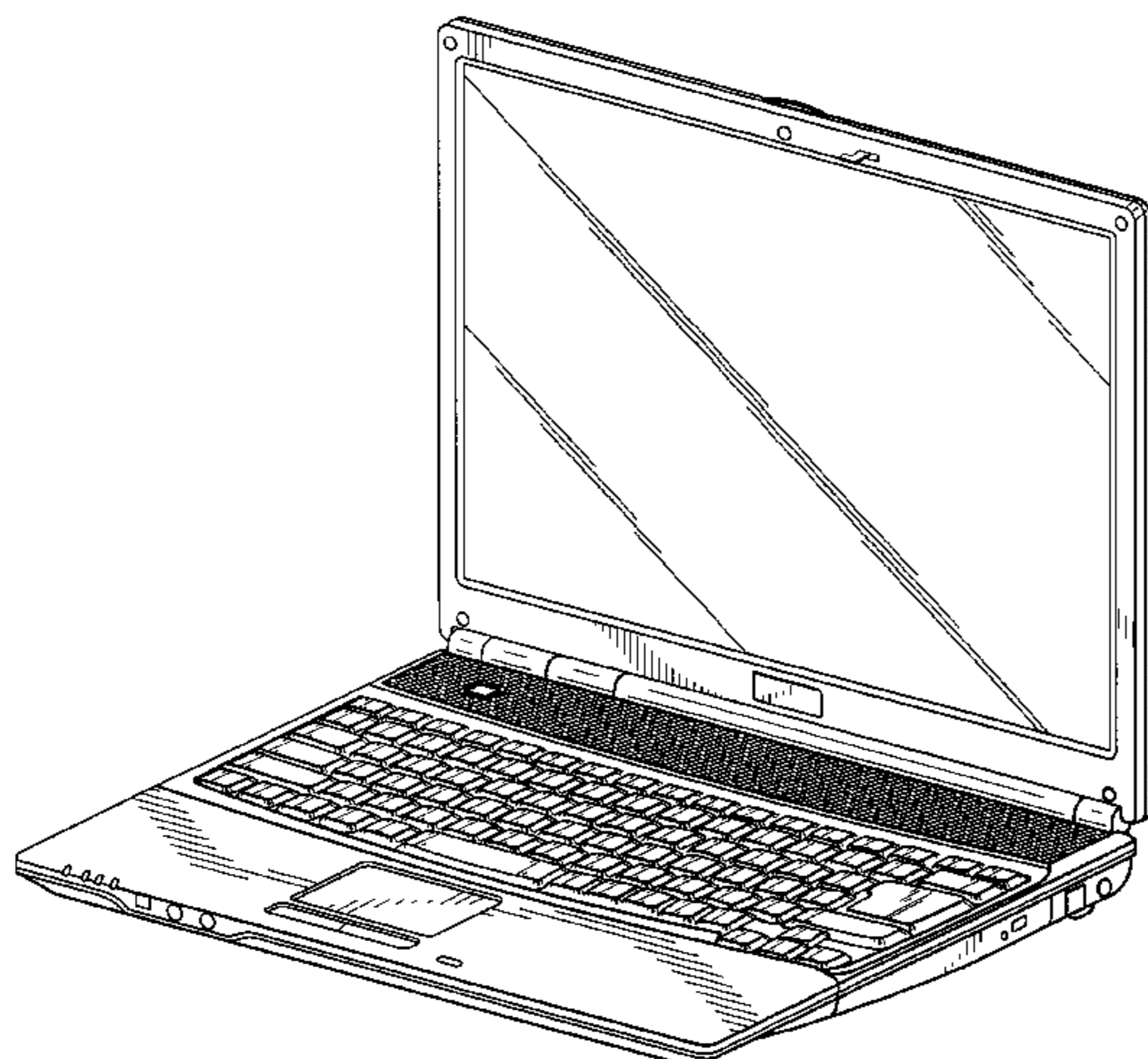
(57) **CLAIM**

The ornamental design for a “computer,” as shown and described.

DESCRIPTION

FIG. 1 is a top, front and right side perspective view of a computer according to my design;
FIG. 2 is a front elevational view thereof;
FIG. 3 is a rear elevational view thereof;
FIG. 4 is a top plan view thereof
FIG. 5 is a bottom plan view thereof;
FIG. 6 is a right side elevational view thereof;
FIG. 7 is a left side elevational view thereof;
FIG. 8 is a top, front and right side perspective view thereof in a closed position;
FIG. 9 is a front elevational view thereof;
FIG. 10 is a rear elevational view thereof;
FIG. 11 is a top plan view thereof;
FIG. 12 is a bottom plan view thereof; and,
FIGS. 13 and 14 are respective right and left side elevational views thereof.

1 Claim, 12 Drawing Sheets



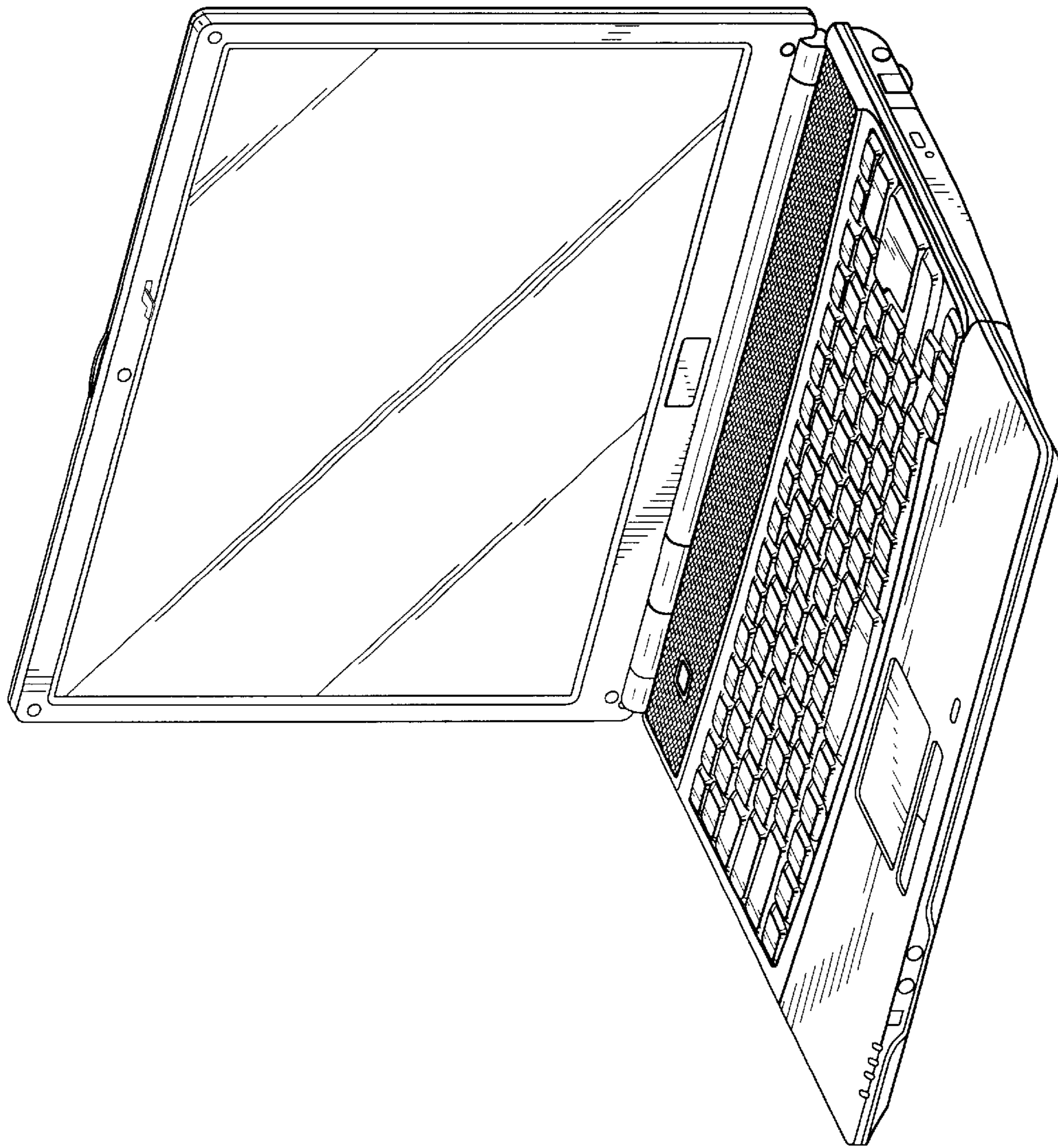
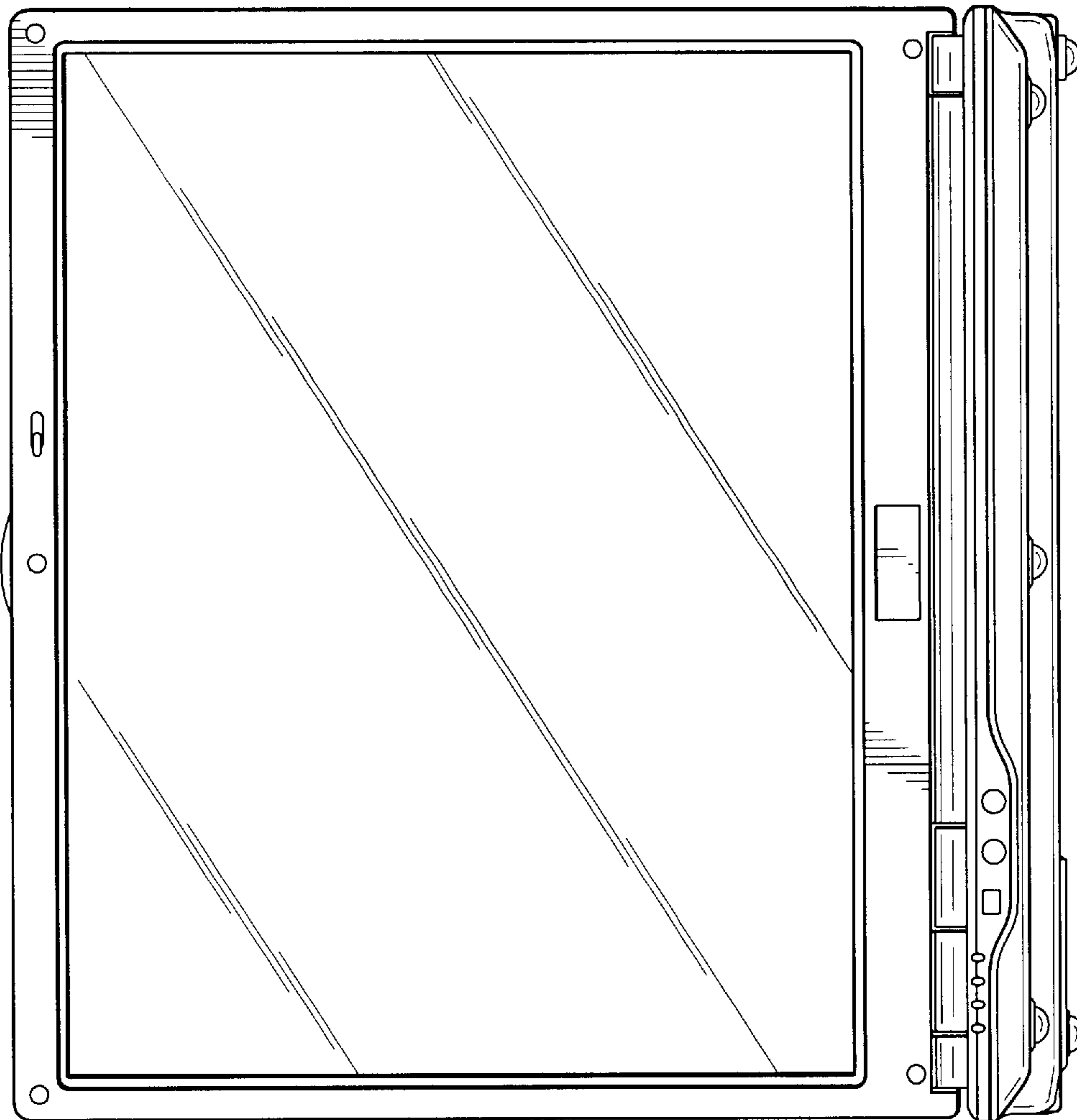


Fig.1

Fig. 2



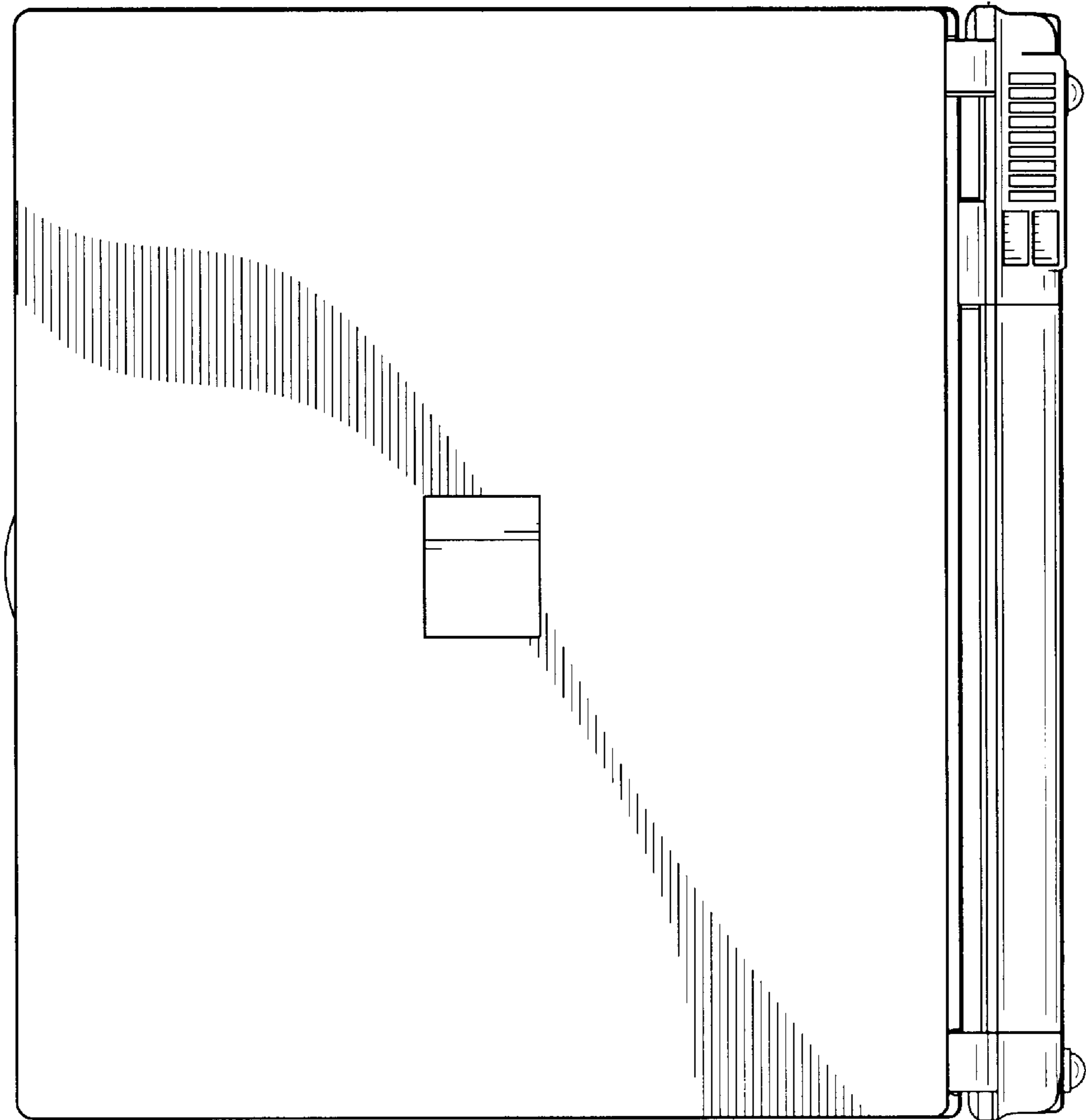


Fig. 3

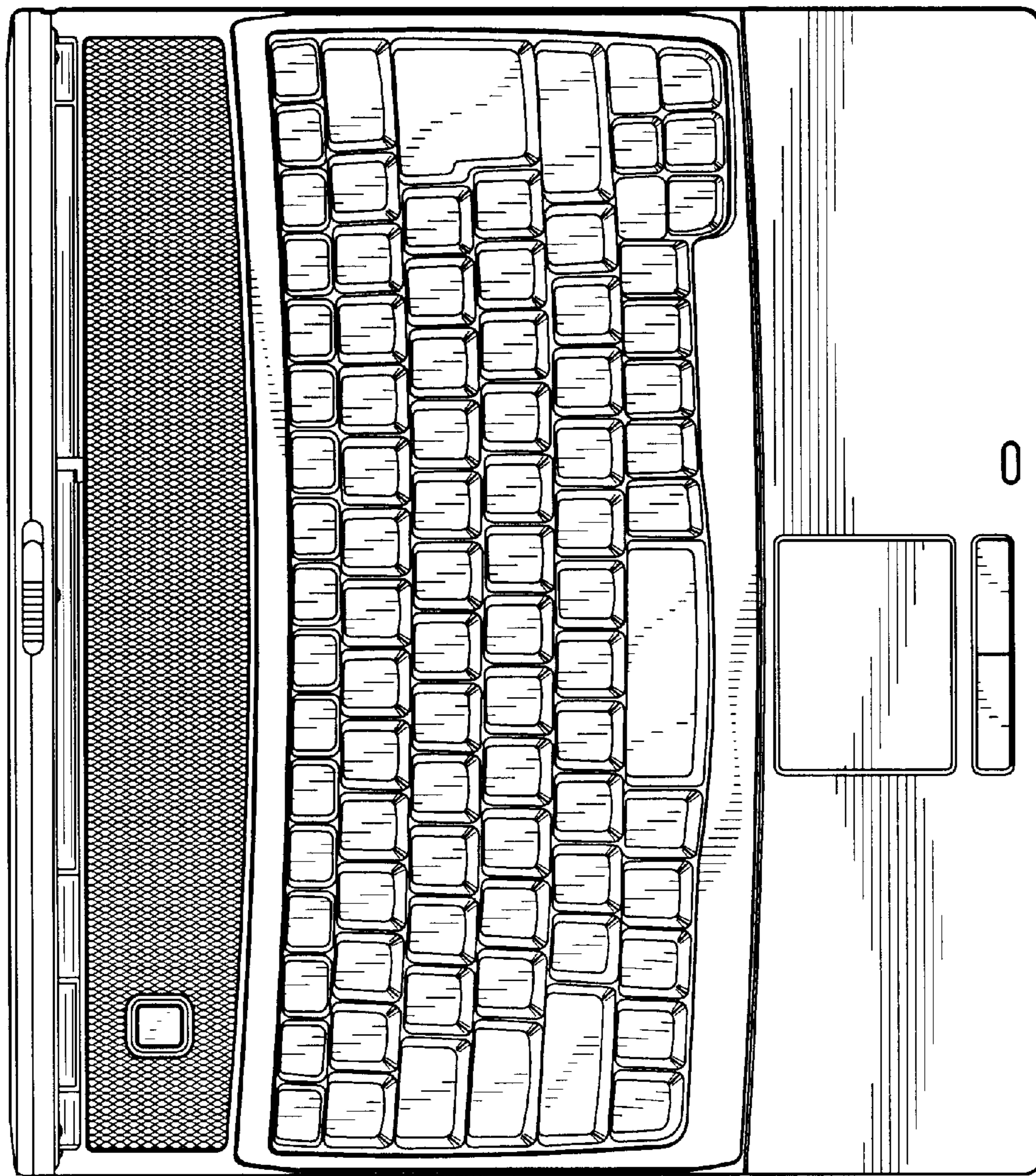


Fig. 4

Fig. 5

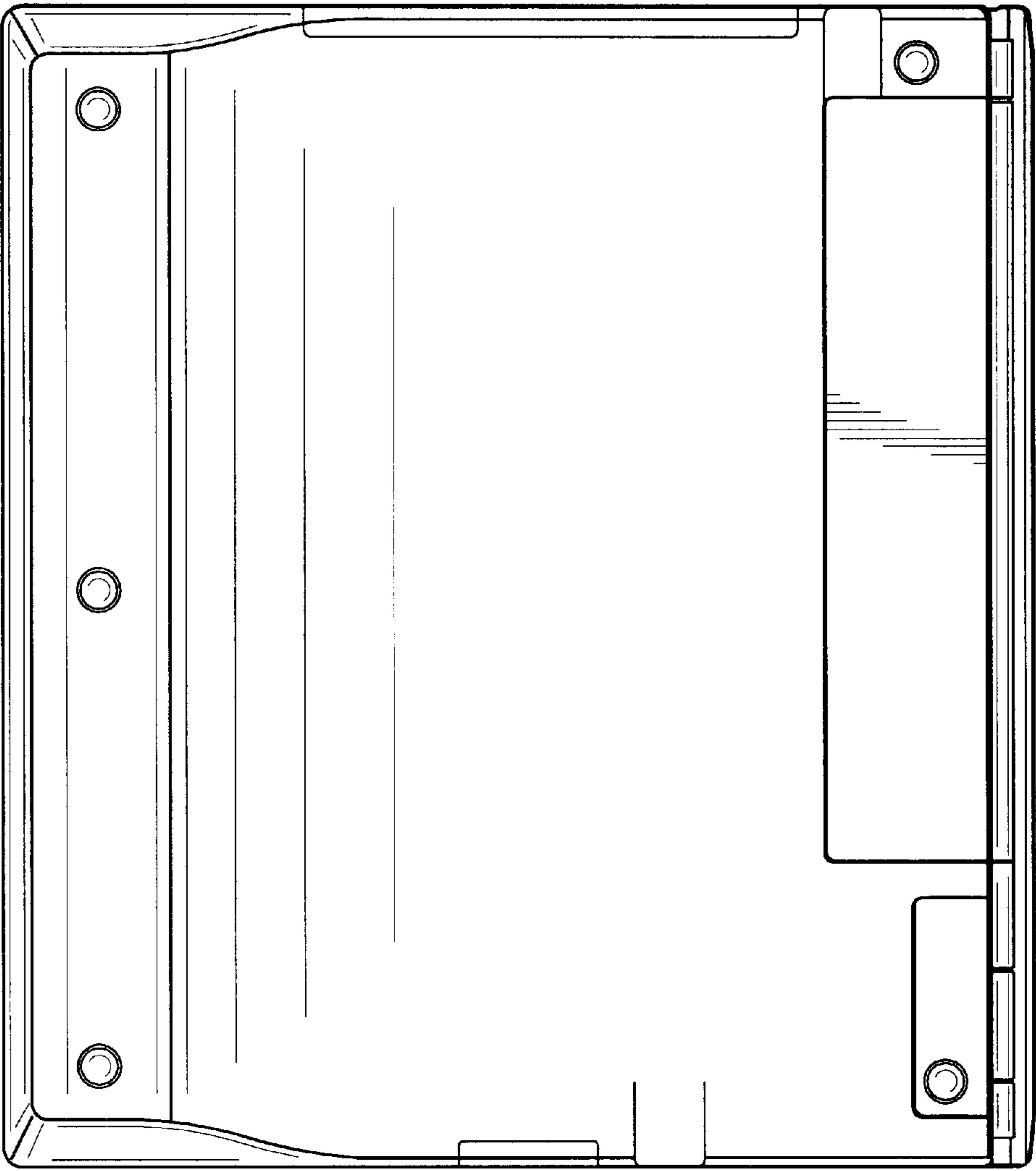
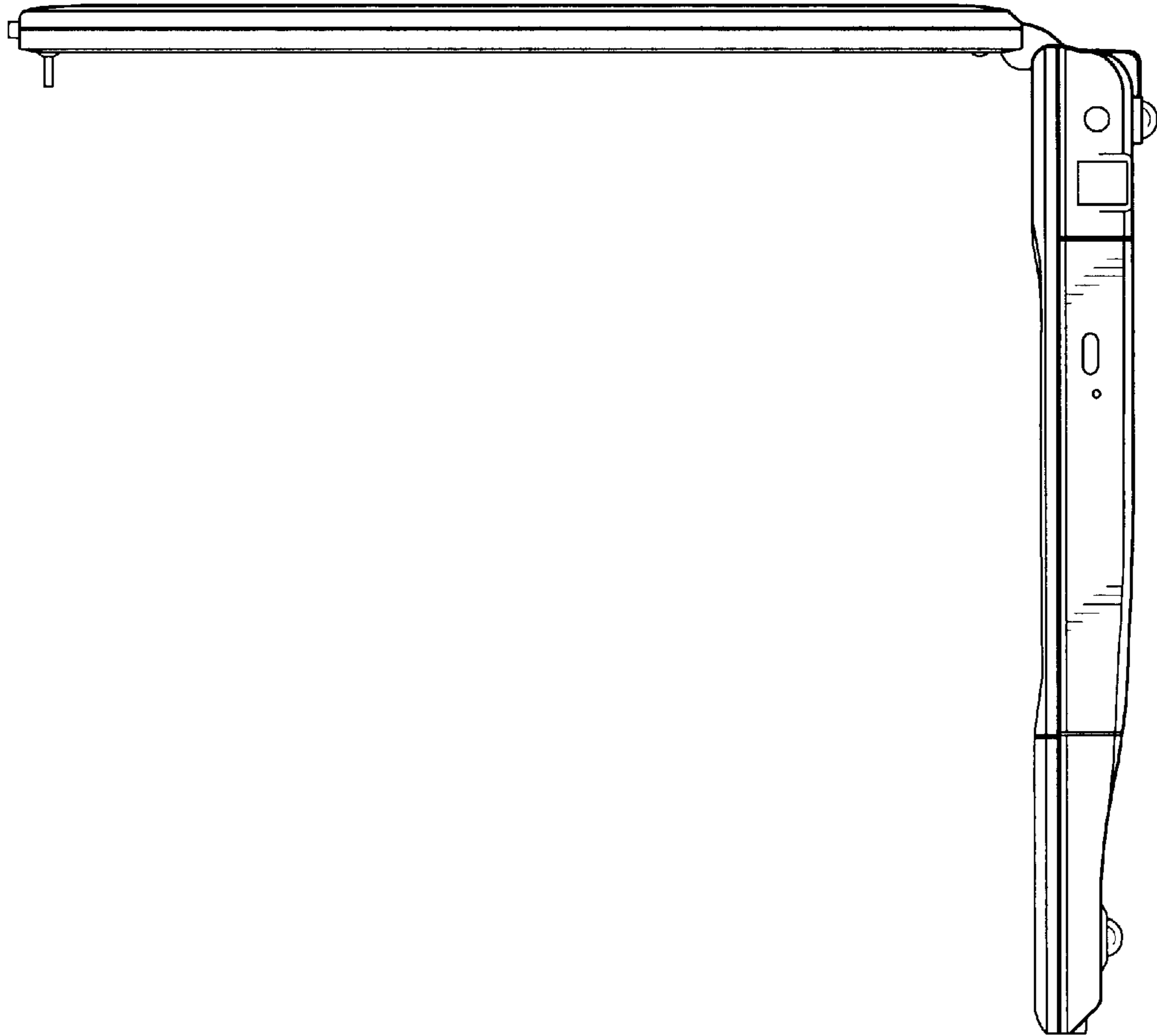


Fig. 6



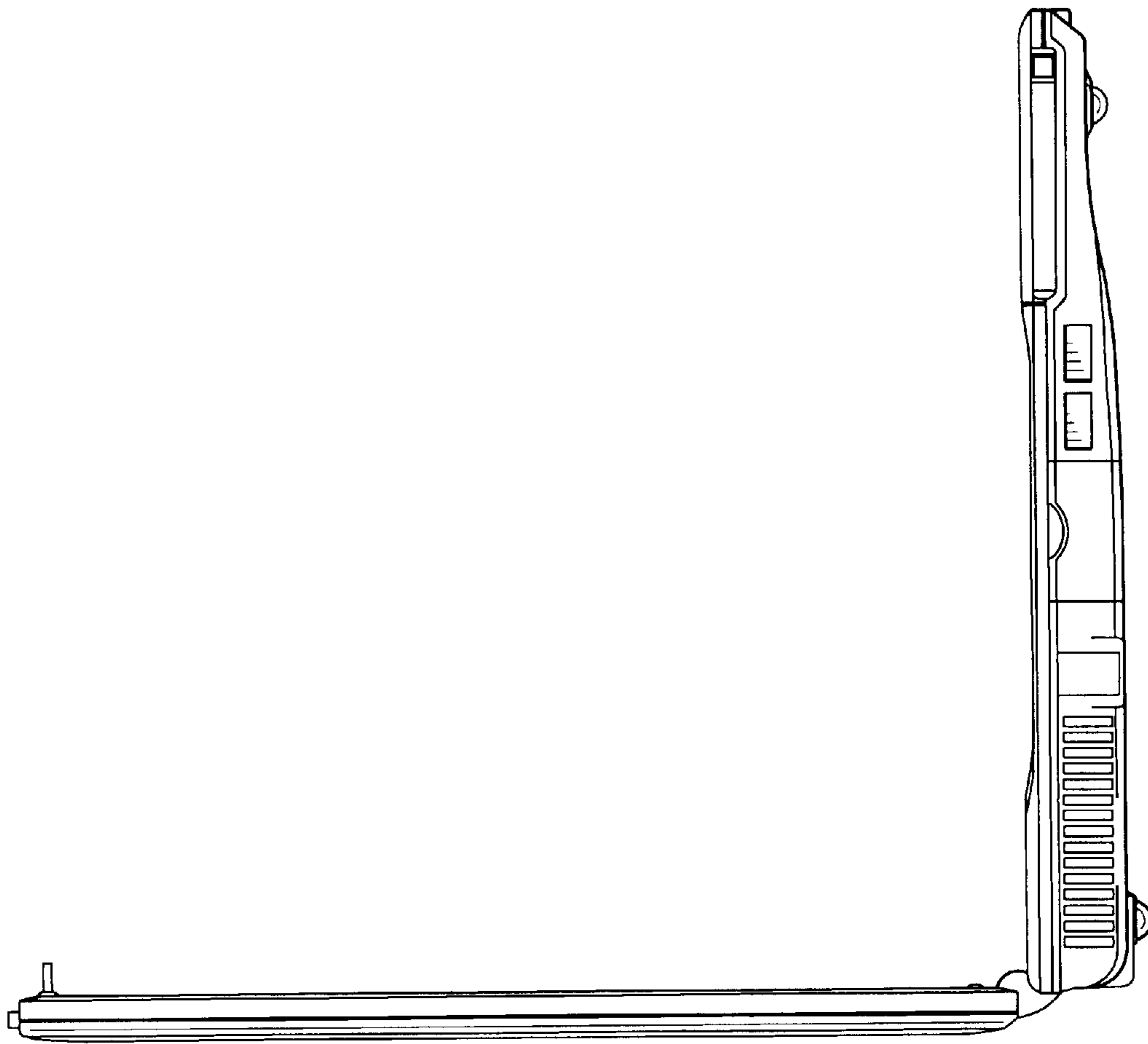


Fig. 7

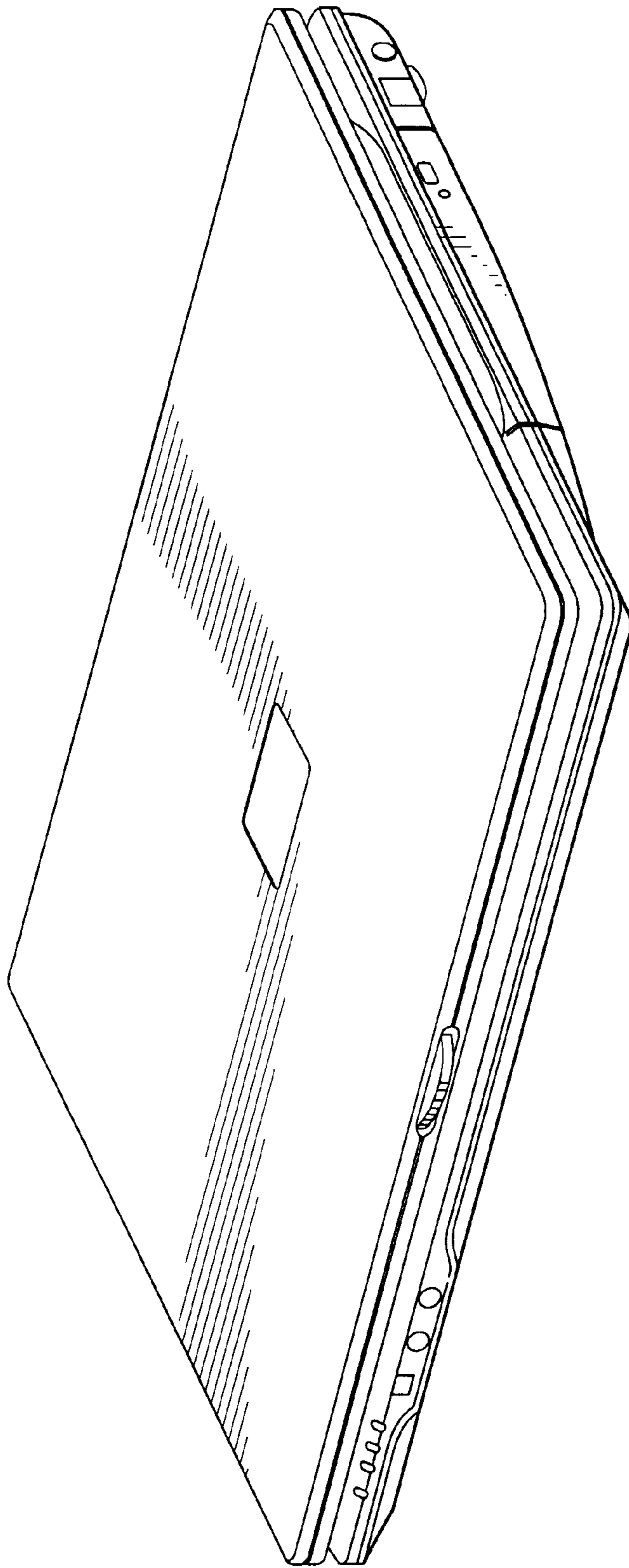


Fig. 8

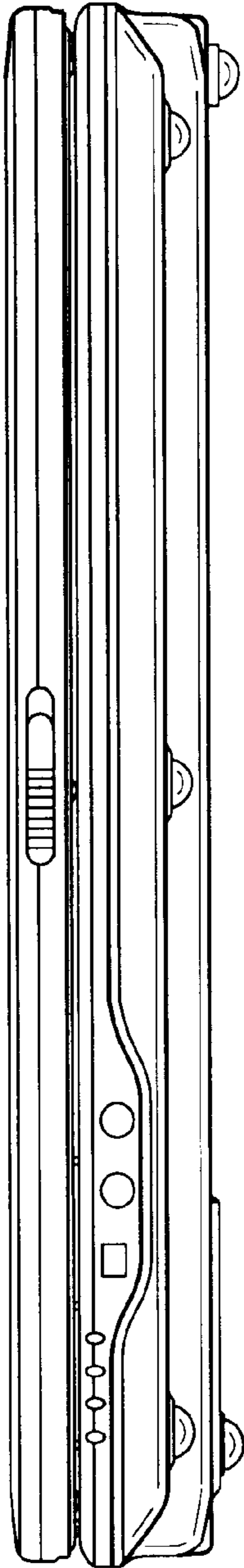


Fig. 9

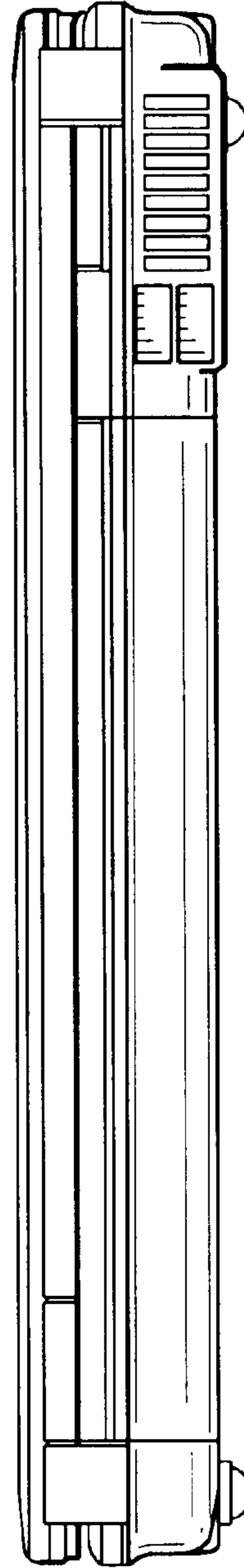


Fig. 10

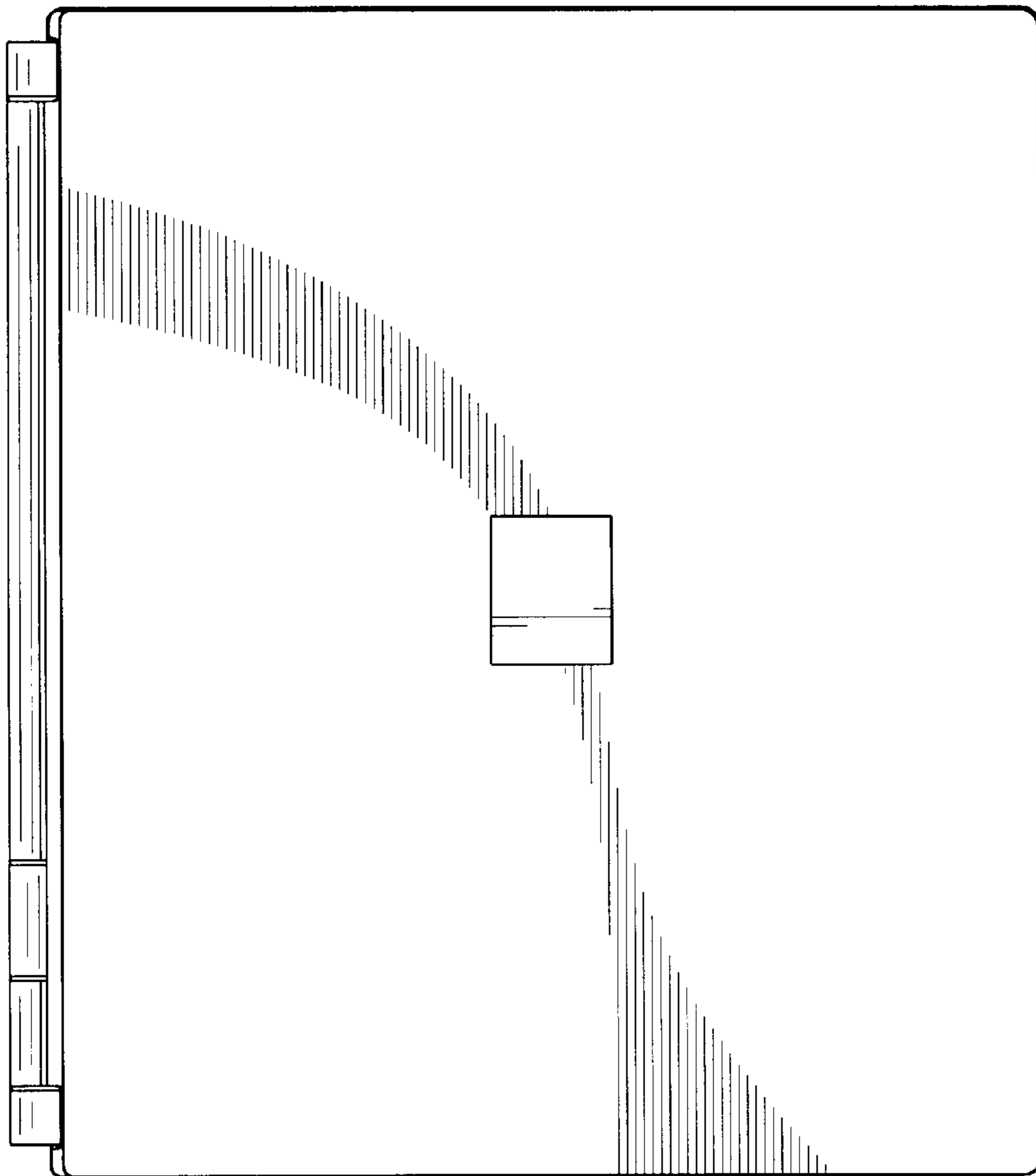


Fig. 11

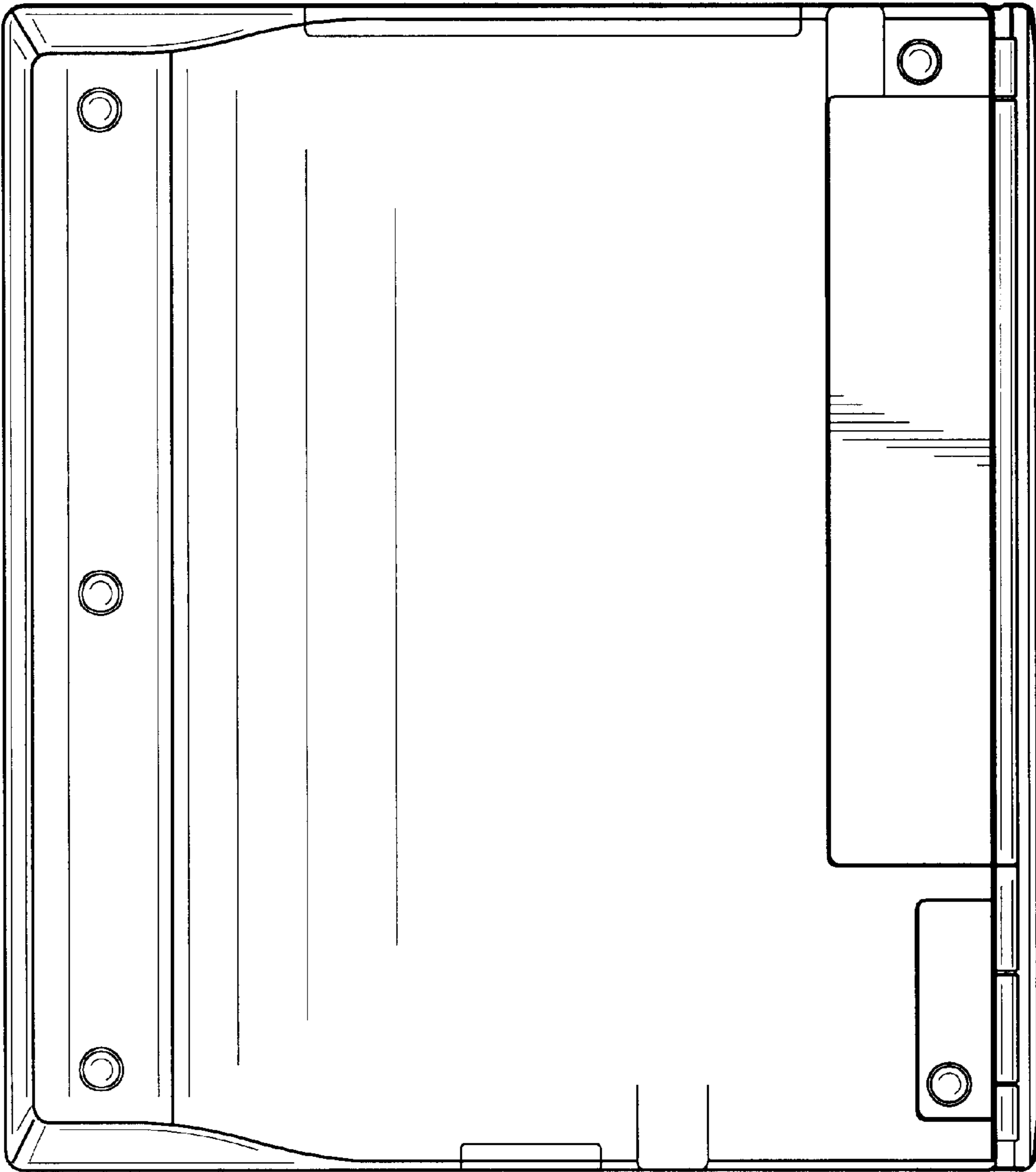


Fig.12

Fig. 13

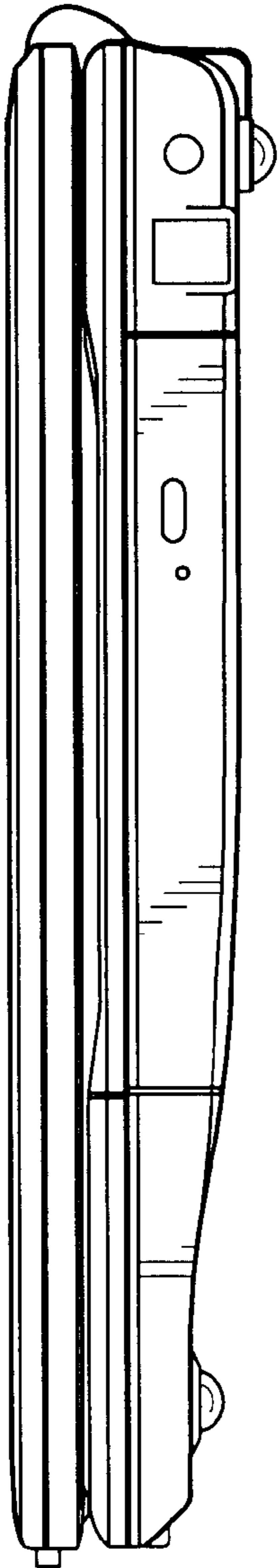


Fig. 14

