



US00D519500S

(12) **United States Design Patent**
Maskatia et al.

(10) **Patent No.: US D519,500 S**

(45) **Date of Patent: ** Apr. 25, 2006**

(54) **PORTABLE ELECTRONIC DEVICE**

(75) Inventors: **Arif Maskatia**, San Jose, CA (US);
Stephen Cheung, San Jose, CA (US);
Kelly Kodama, San Jose, CA (US)

(73) Assignee: **ACER Inc.** (TW)

(**) Term: **14 Years**

(21) Appl. No.: **29/222,248**

(22) Filed: **Jan. 27, 2005**

(51) **LOC (8) Cl.** **14-02**

(52) **U.S. Cl.** **D14/318; D14/341**

(58) **Field of Classification Search** D14/315-323,
D14/341-346; D18/1, 2, 7, 11; 235/145 A,
235/145 R; 341/22, 23; 345/156, 168, 169,
345/172, 173; 361/680-686; D19/26, 59,
D19/60; 178/18.03; 434/307 R, 317, 308,
434/309; 349/12

See application file for complete search history.

(56) **References Cited**

U.S. PATENT DOCUMENTS

D284,084 S * 6/1986 Ferrara, Jr. D14/389
D346,366 S * 4/1994 Kim et al. D14/342
D395,639 S * 6/1998 Ham et al. D14/389
6,067,224 A * 5/2000 Nobuchi 361/683

D476,326 S * 6/2003 Tanimura D14/318
D479,841 S * 9/2003 Tago et al. D14/323
D487,742 S * 3/2004 Huang et al. D14/341
6,781,824 B1 * 8/2004 Krieger et al. 361/683
2003/0223185 A1 * 12/2003 Doczy et al. 361/680
2005/0018396 A1 * 1/2005 Nakajima et al. 361/683
2005/0041378 A1 * 2/2005 Hamada et al. 361/680

* cited by examiner

Primary Examiner—Freda S. Nunn

(74) *Attorney, Agent, or Firm*—Ostrolenk, Faber, Gerb & Soffen, LLP

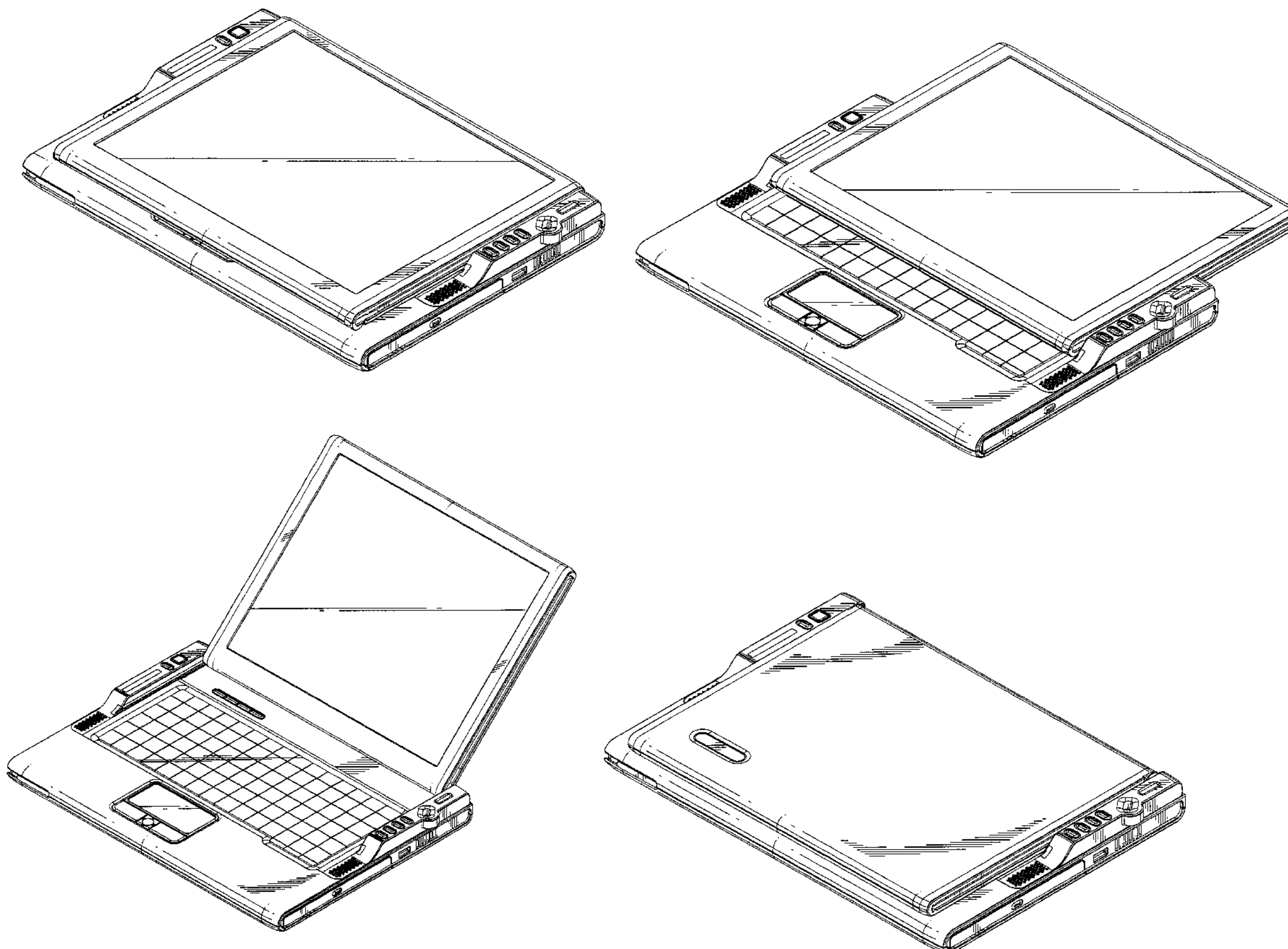
(57) **CLAIM**

The ornamental design for portable electronic device, as shown and described.

DESCRIPTION

FIG. 1 is a perspective view of portable electronic device showing my new design;
FIG. 2 is a front elevational view thereof;
FIG. 3 is a rear elevational view thereof;
FIG. 4 is a left side elevational view thereof;
FIG. 5 is a right side elevational view thereof;
FIG. 6 is a top plan view thereof;
FIG. 7 is a bottom plan view thereof; and,
FIGS. 8-11 are alternate perspective views thereof.

1 Claim, 9 Drawing Sheets



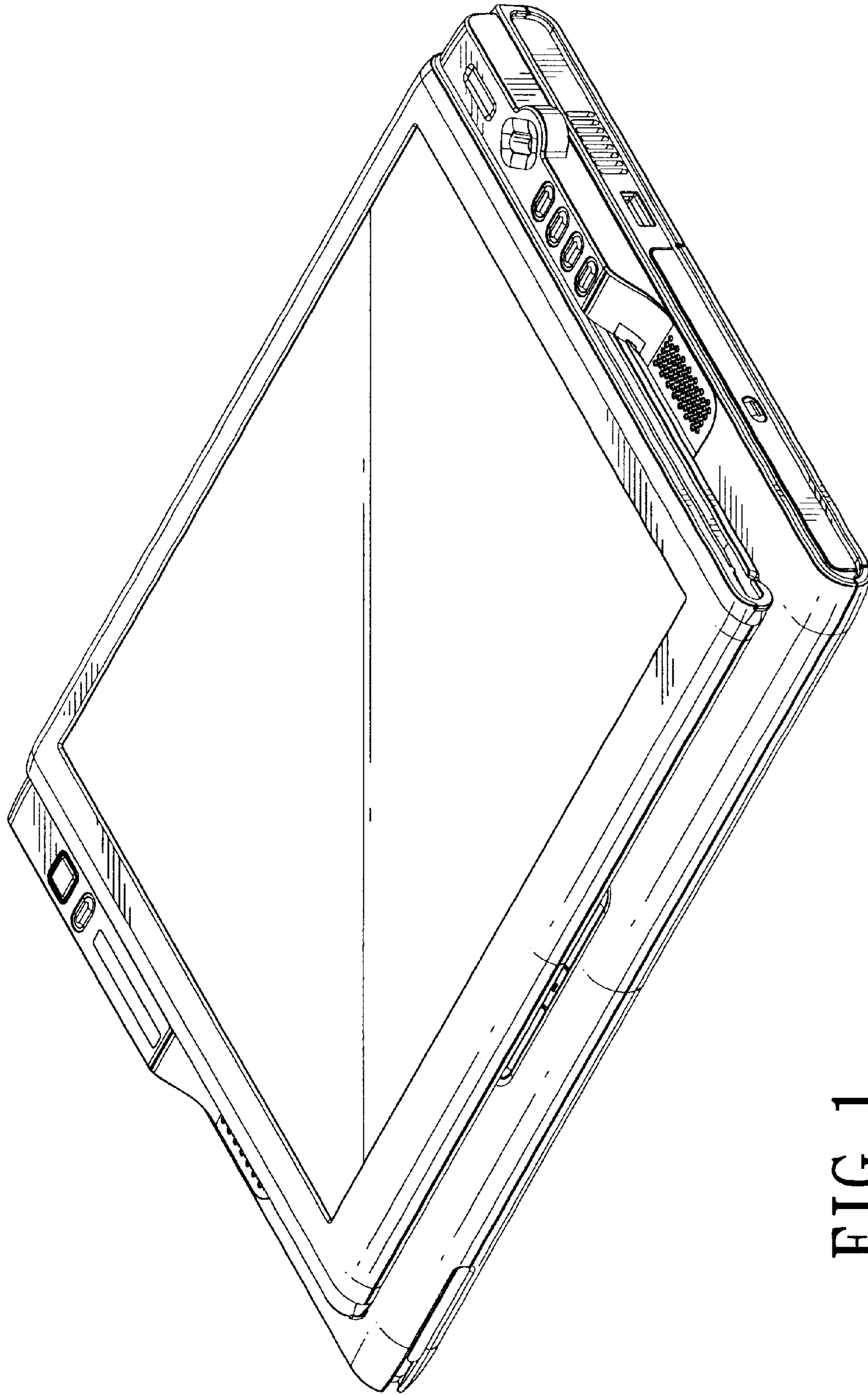


FIG. 1

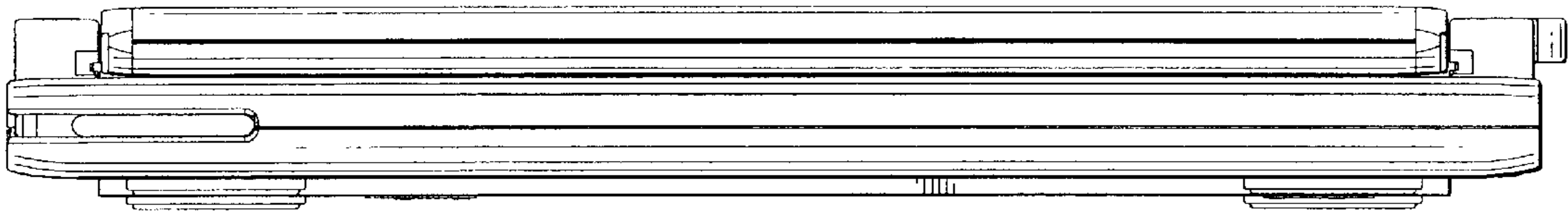


FIG. 2

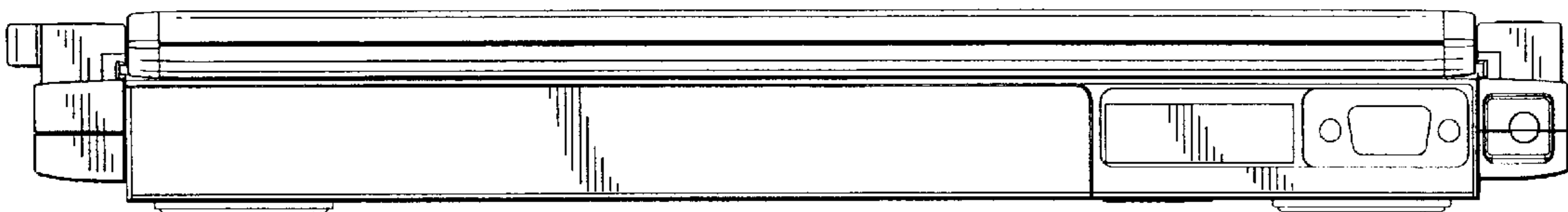


FIG. 3

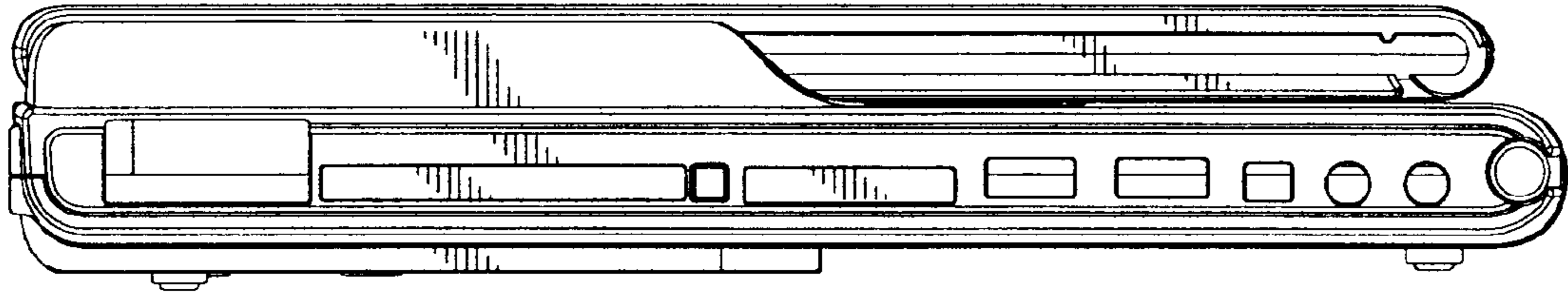


FIG. 4

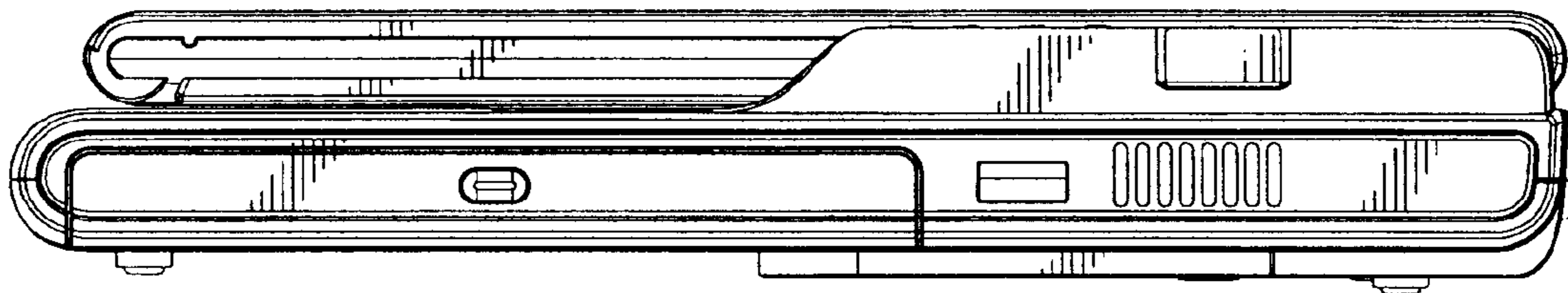


FIG. 5

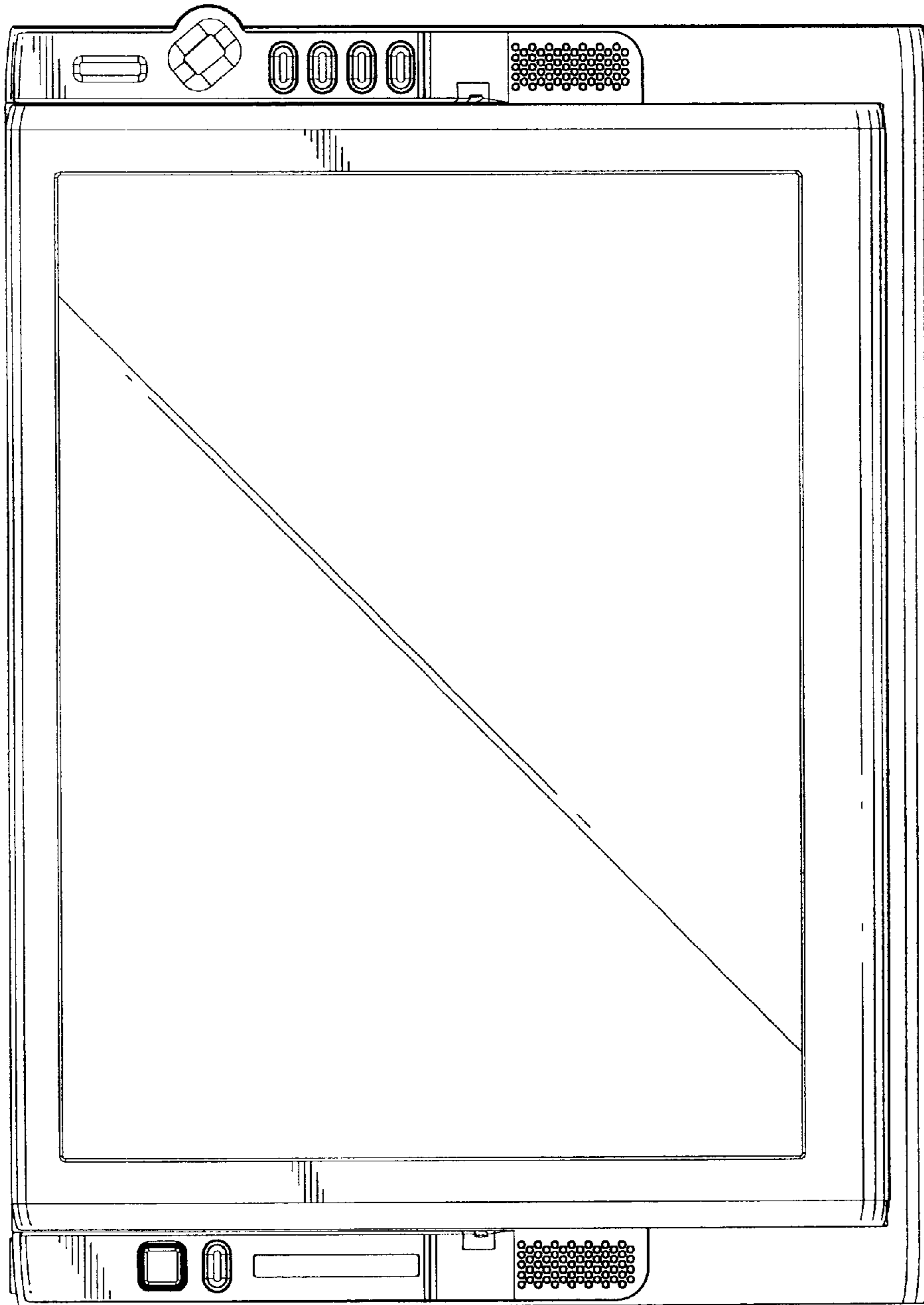


FIG. 6

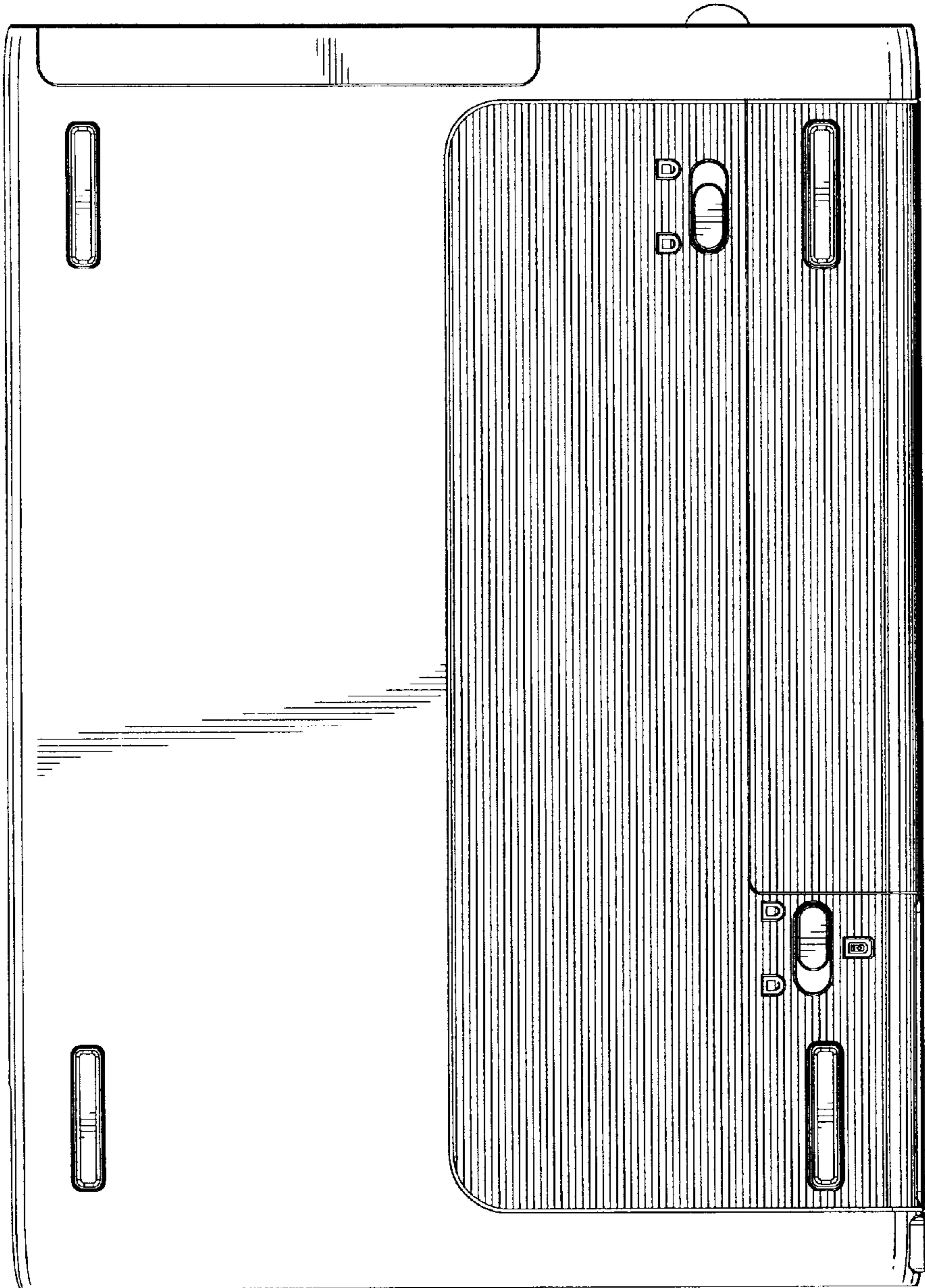


FIG. 7

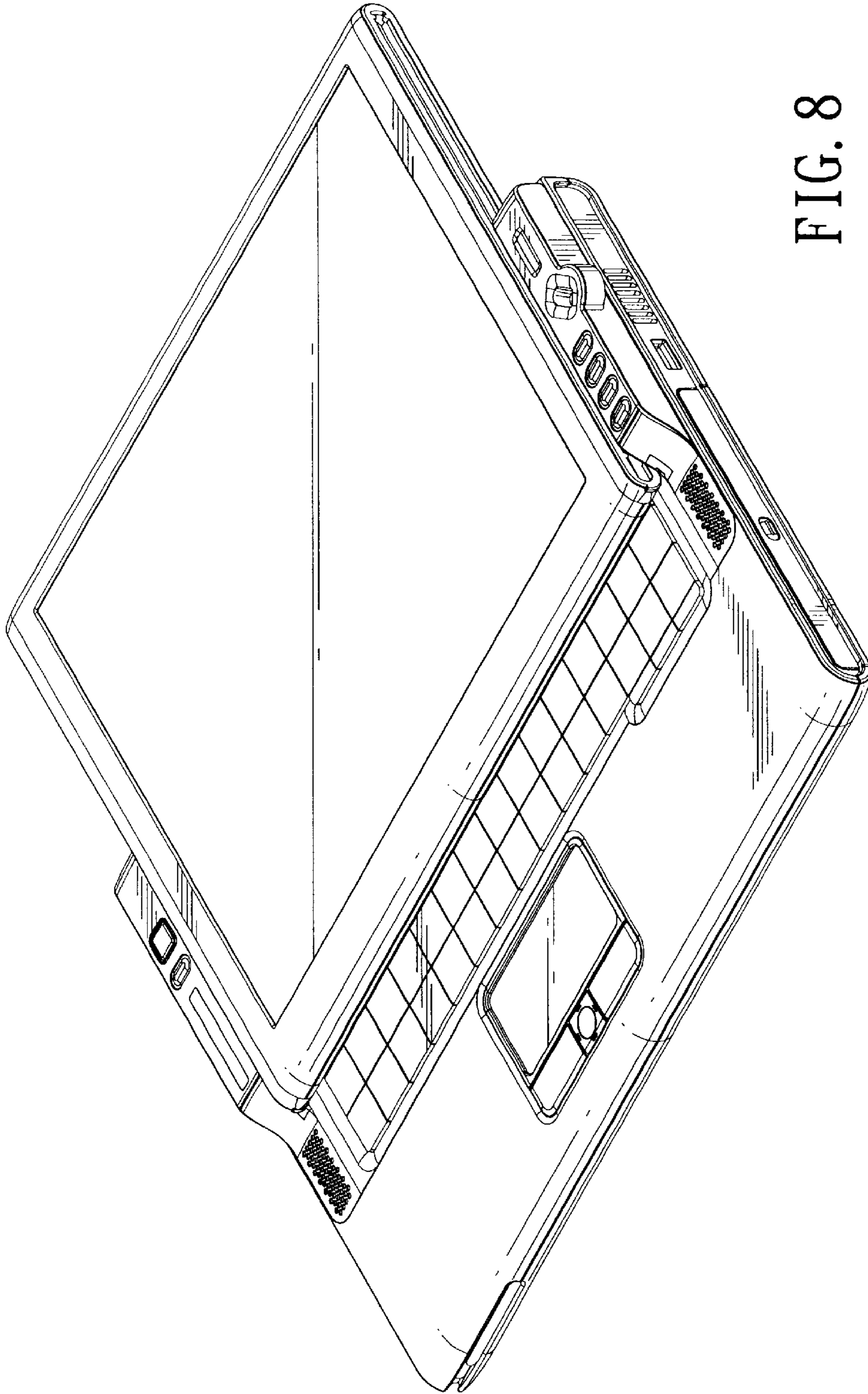


FIG. 8

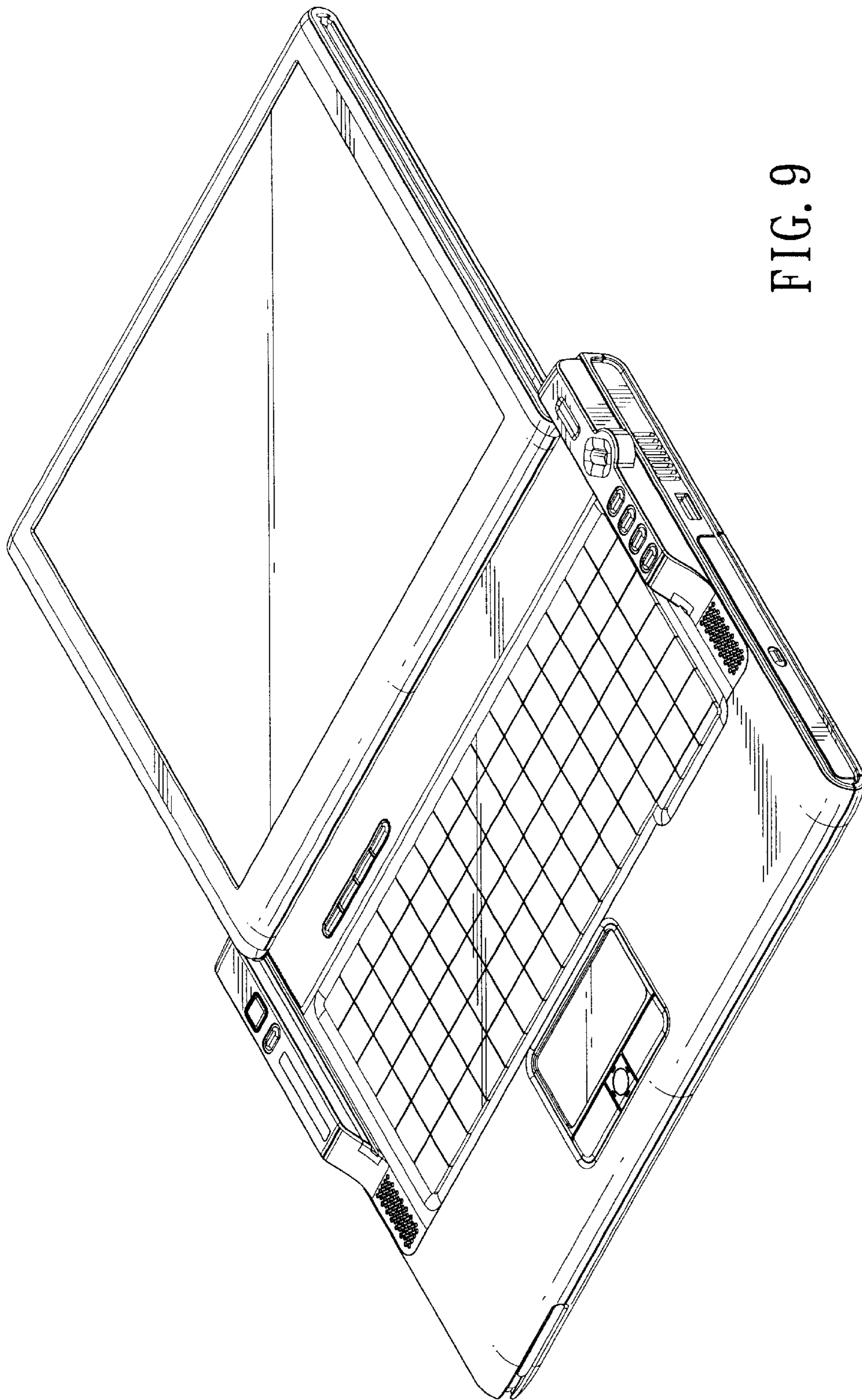


FIG. 9

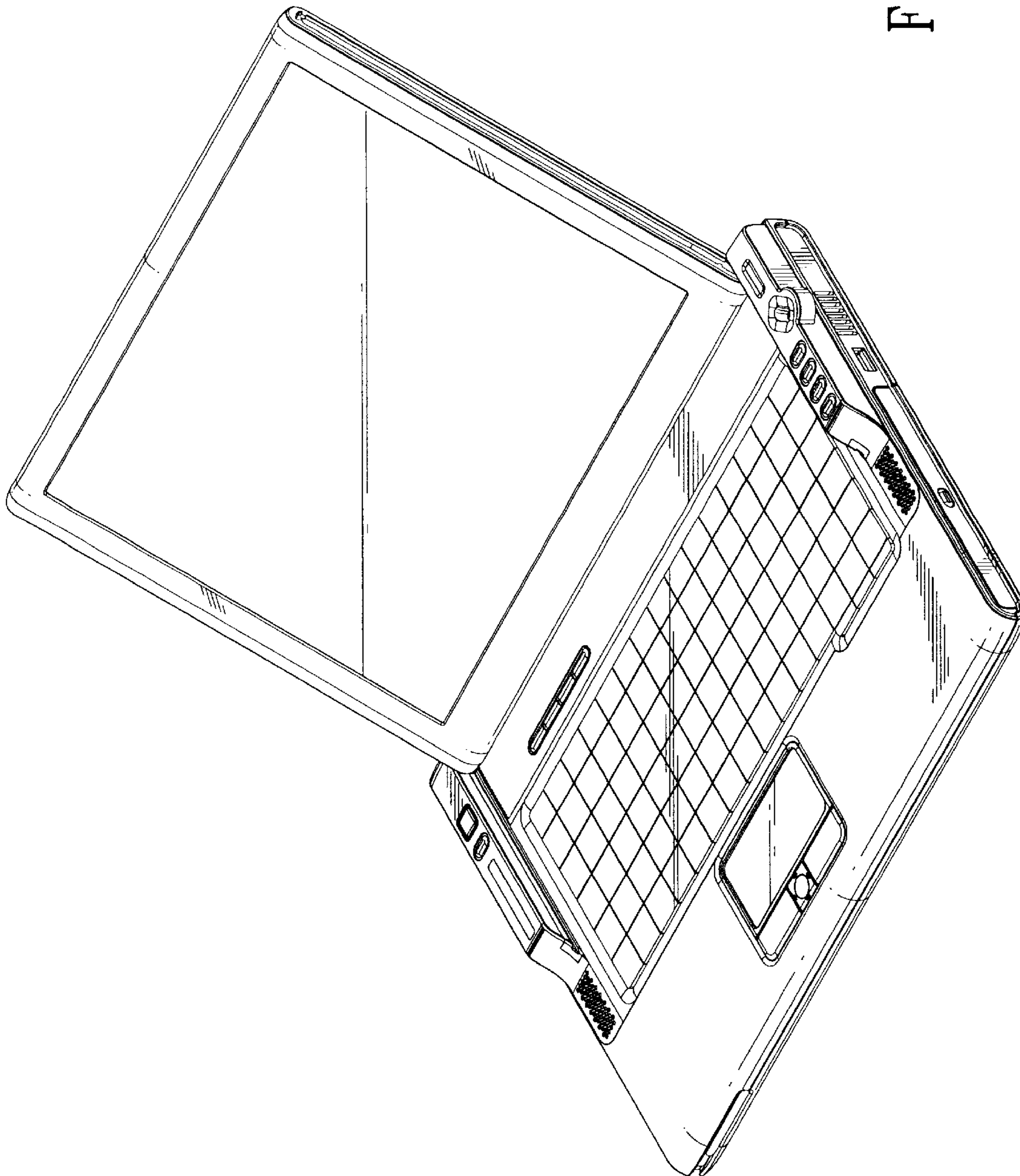


FIG. 10

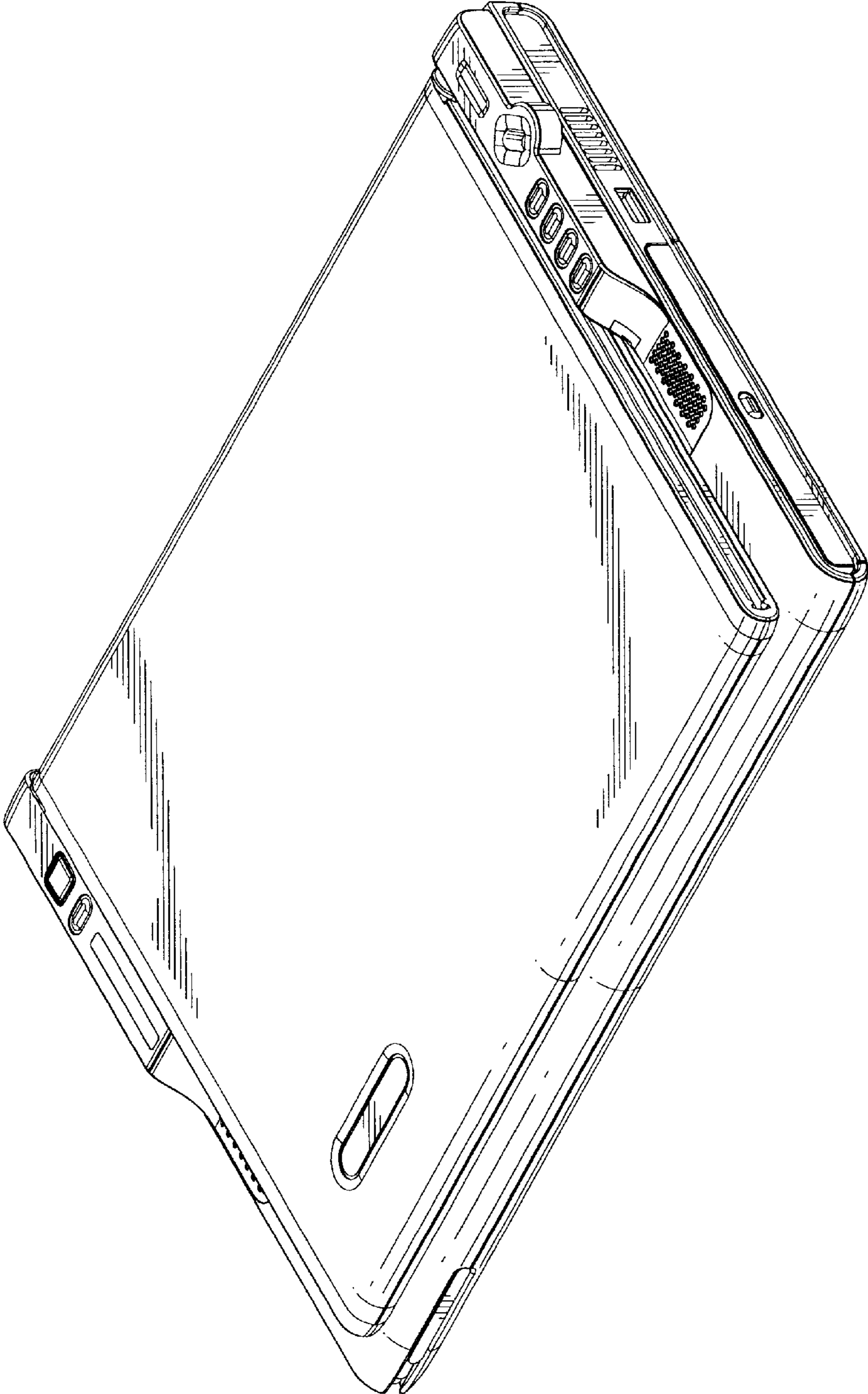


FIG. 11