



US00D519497S

(12) **United States Design Patent**
Komiyama

(10) **Patent No.:** **US D519,497 S**
(45) **Date of Patent:** **** Apr. 25, 2006**

(54) **HEADPHONE**

D491,917 S * 6/2004 Asai D14/205

(75) Inventor: **Jun Komiyama**, Tokyo (JP)

OTHER PUBLICATIONS

(73) Assignee: **Sony Corporation**, Tokyo (JP)

Web page "Sony eCatalog, MDR-CD2000" <http://www.e-cat.sony.co.jp/avacc/headphone/acc/index.cfm?PD=817&KM=MDR-CD2000>, 2 sheets, Sony (Mar. 2005).

(**) Term: **14 Years**

* cited by examiner

(21) Appl. No.: **29/227,496**

Primary Examiner—Paula A. Greene

(22) Filed: **Apr. 13, 2005**

(74) *Attorney, Agent, or Firm*—Rader, Fishman & Grauer PLLC

(51) **LOC (8) Cl.** **14-01**

(52) **U.S. Cl.** **D14/223**

(58) **Field of Classification Search** D14/192,
D14/205, 206, 223; D2/866, 883, 894; 2/171,
2/209, 410, 423; 181/129, 130; 381/370,
381/371, 374, 376, 377, 378, 379, 380, 381;
403/107, 393

See application file for complete search history.

(57) **CLAIM**

The ornamental design for a headphone, as shown and described.

(56) **References Cited**

U.S. PATENT DOCUMENTS

1,483,315	A	*	2/1924	Saal	381/378
3,505,684	A	*	4/1970	Hutchinson et al.	2/209
D254,183	S	*	2/1980	Doodson	D14/205
D313,092	S	*	12/1990	Nilsson	D20/112
D358,390	S	*	5/1995	Hayashi	D14/205
D423,012	S		4/2000	Yasutomi		
D443,872	S		6/2001	Mori		
6,301,367	B1	*	10/2001	Boyden et al.	381/376
6,724,906	B1	*	4/2004	Naksen et al.	381/379

DESCRIPTION

FIG. 1 is a perspective view of a headphone showing my new design;

FIG. 2 is a front elevational view thereof;

FIG. 3 is a rear elevational view thereof;

FIG. 4 is a left side elevational view thereof;

FIG. 5 is a right side elevational view thereof;

FIG. 6 is a top plan view thereof; and,

FIG. 7 is a bottom plan view thereof.

Portions of FIGS. 1-7 that are shown as broken lines are for illustrative purpose only and form no part of the claimed design.

1 Claim, 5 Drawing Sheets

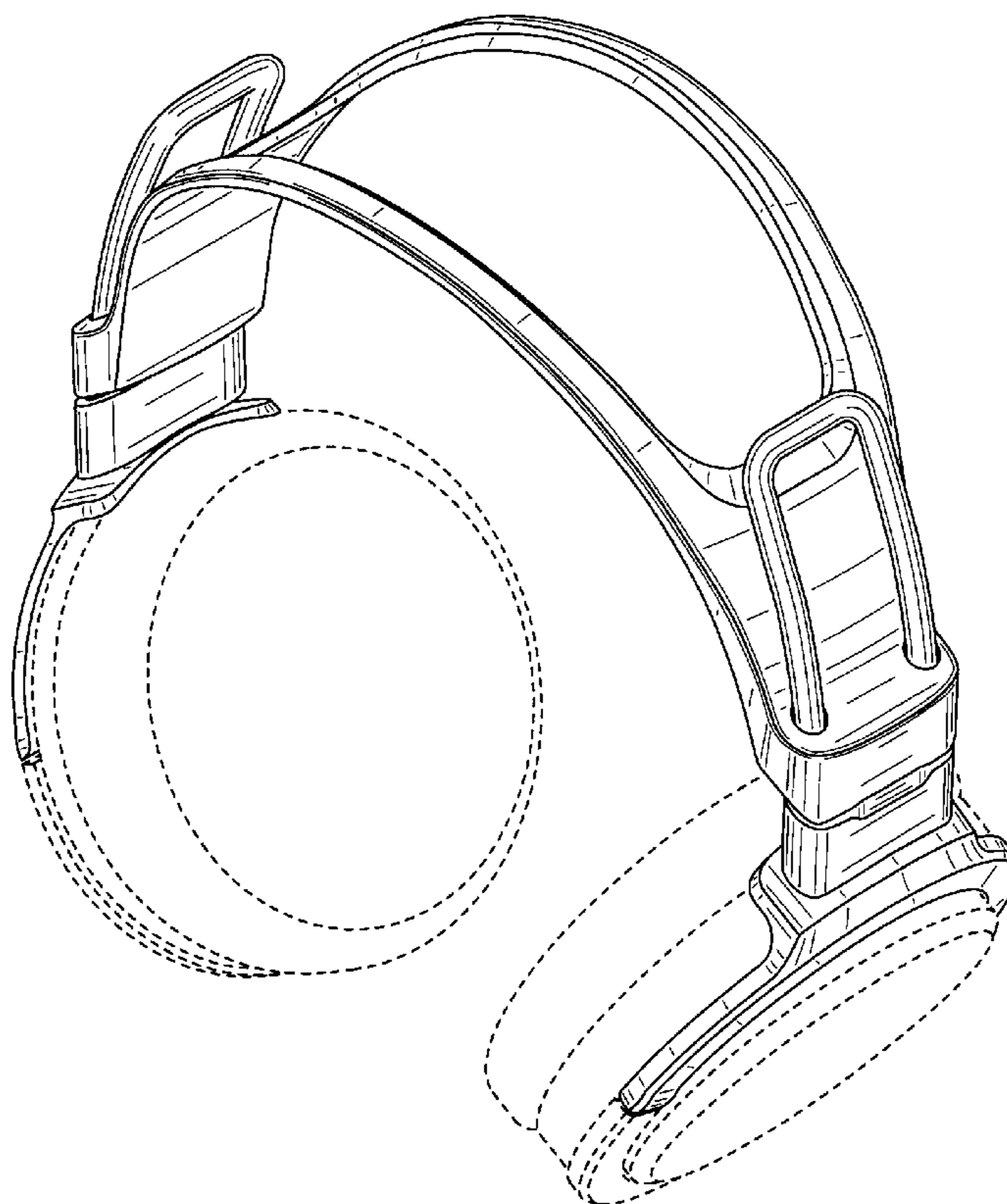


Fig. 1

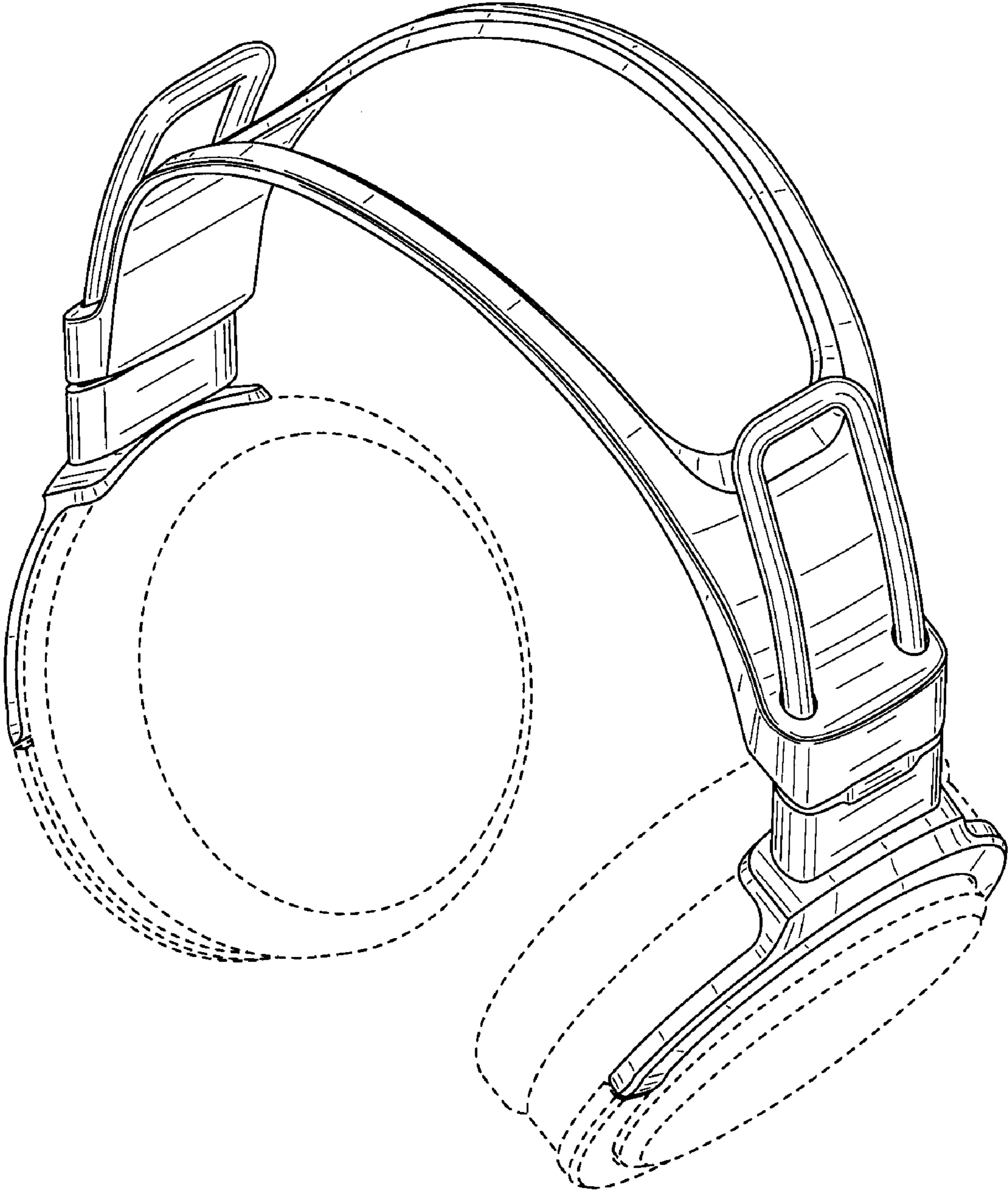


Fig.2

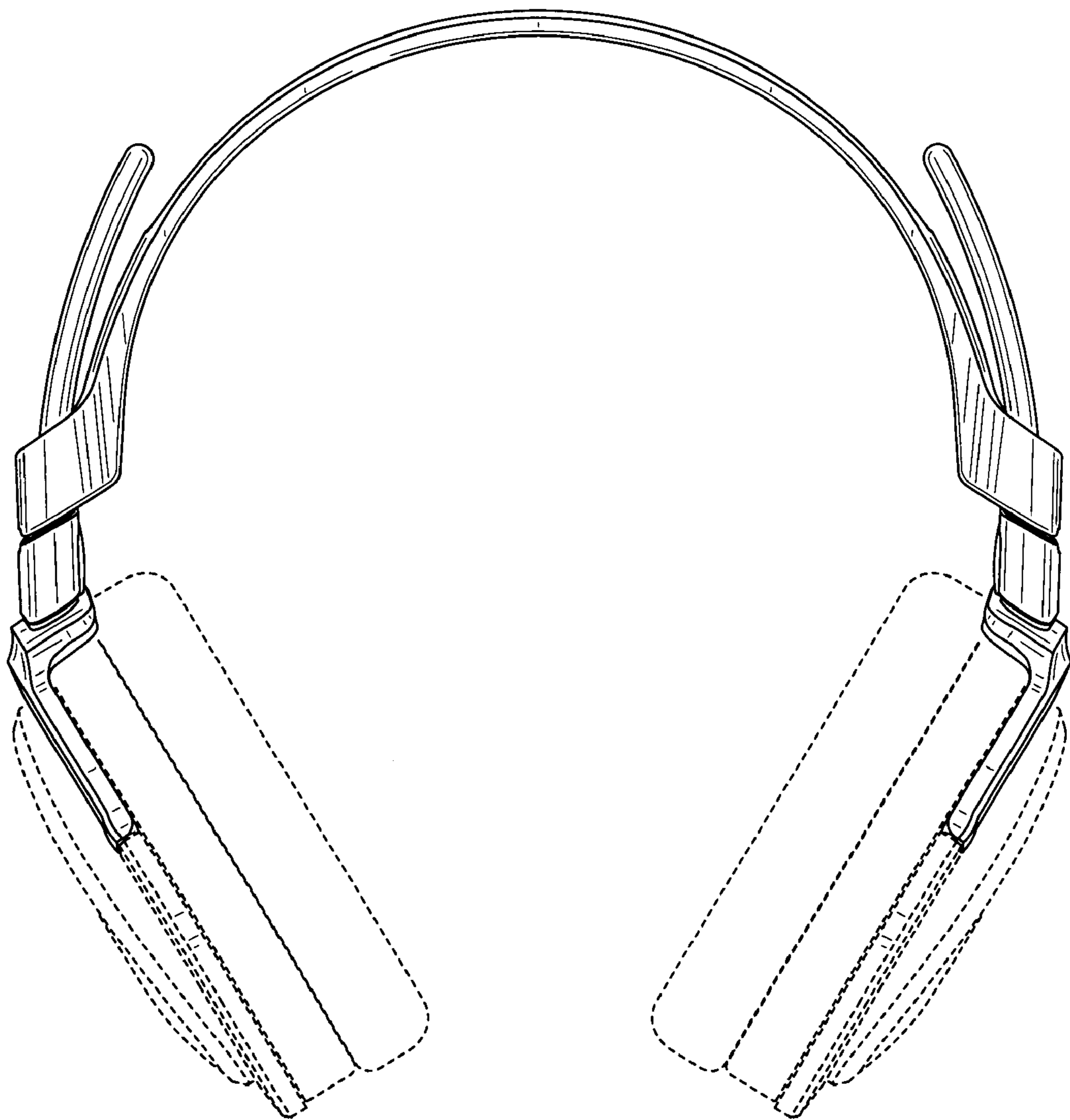


Fig.3

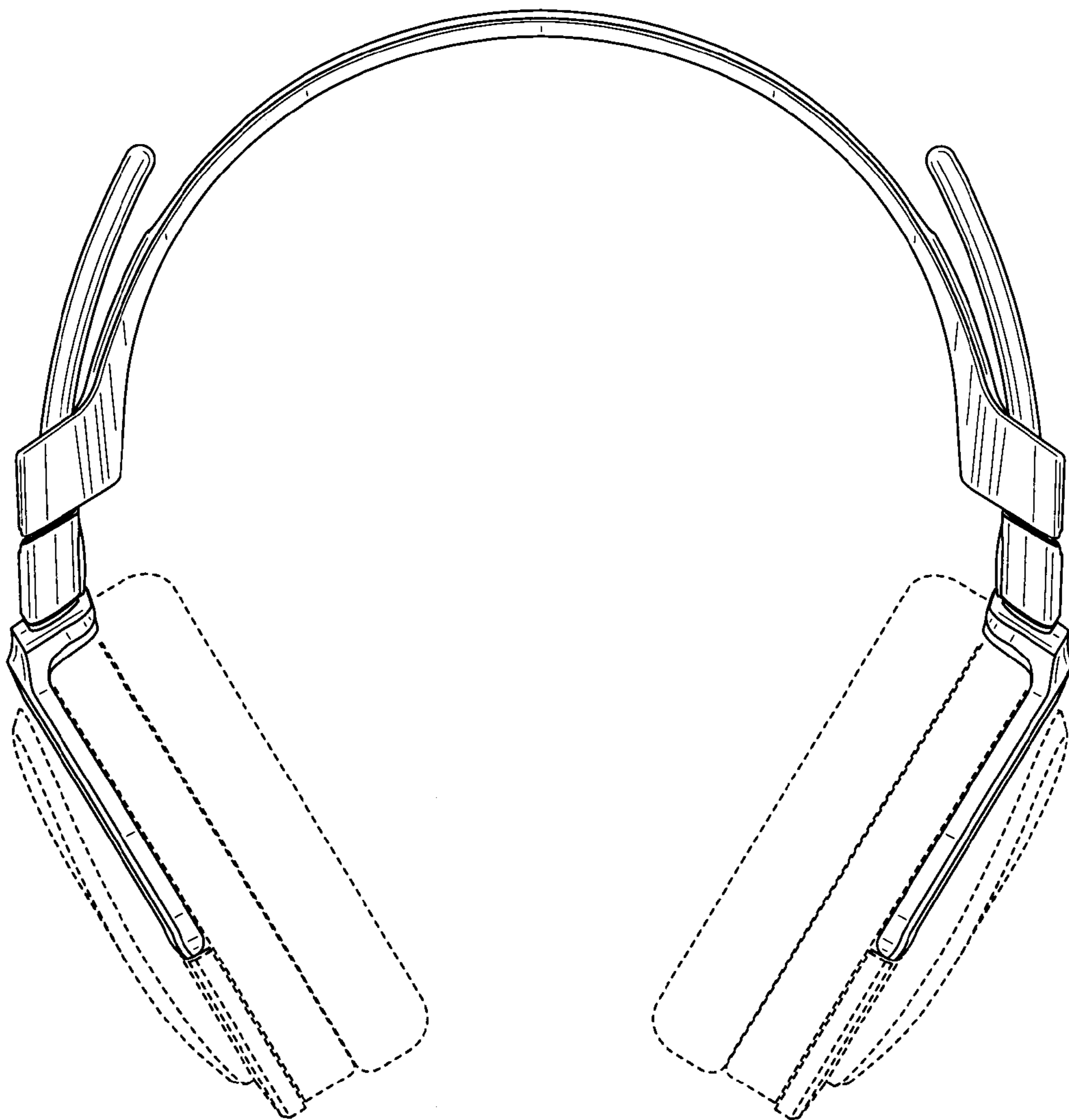


Fig.4

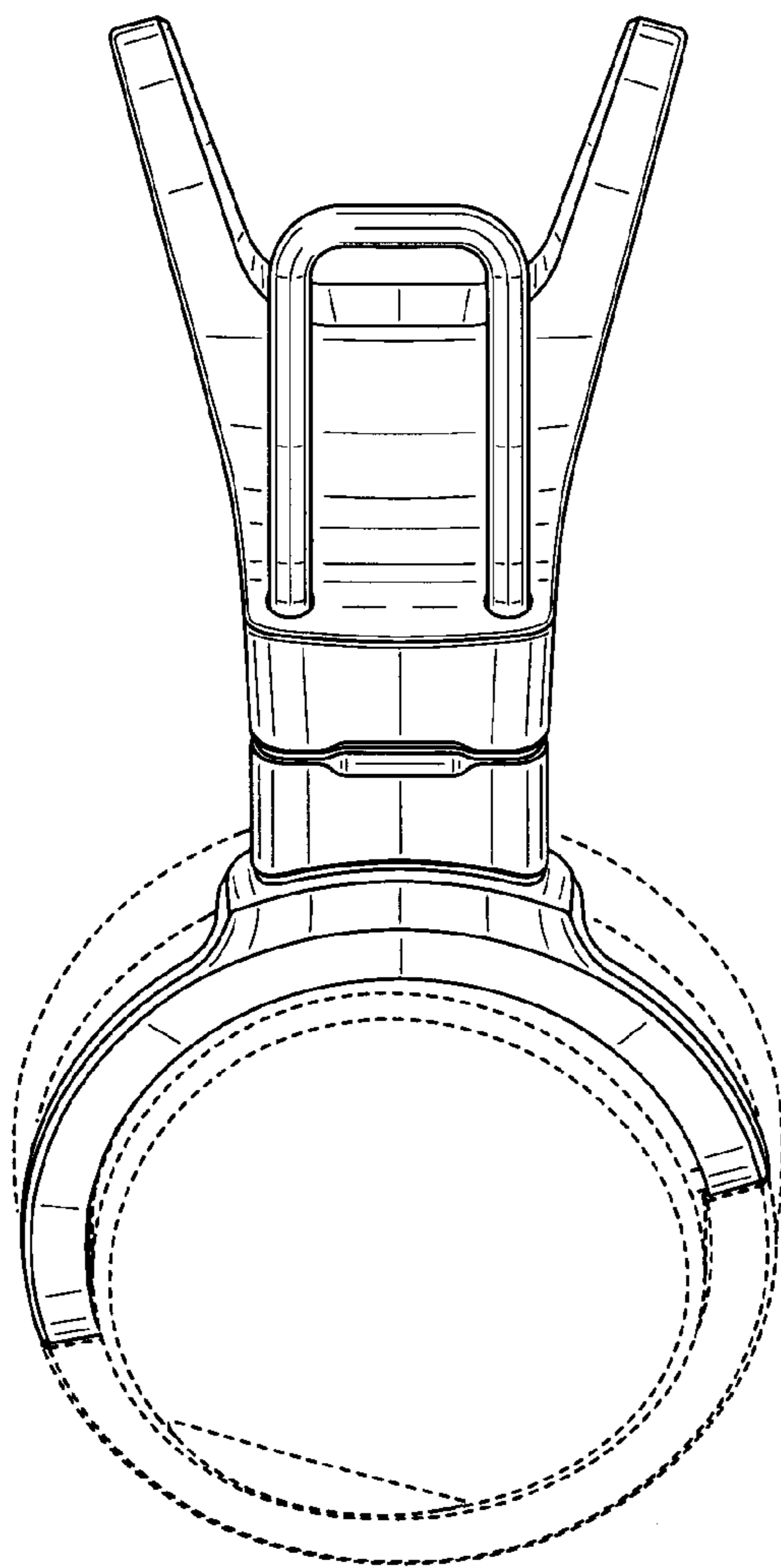


Fig.5

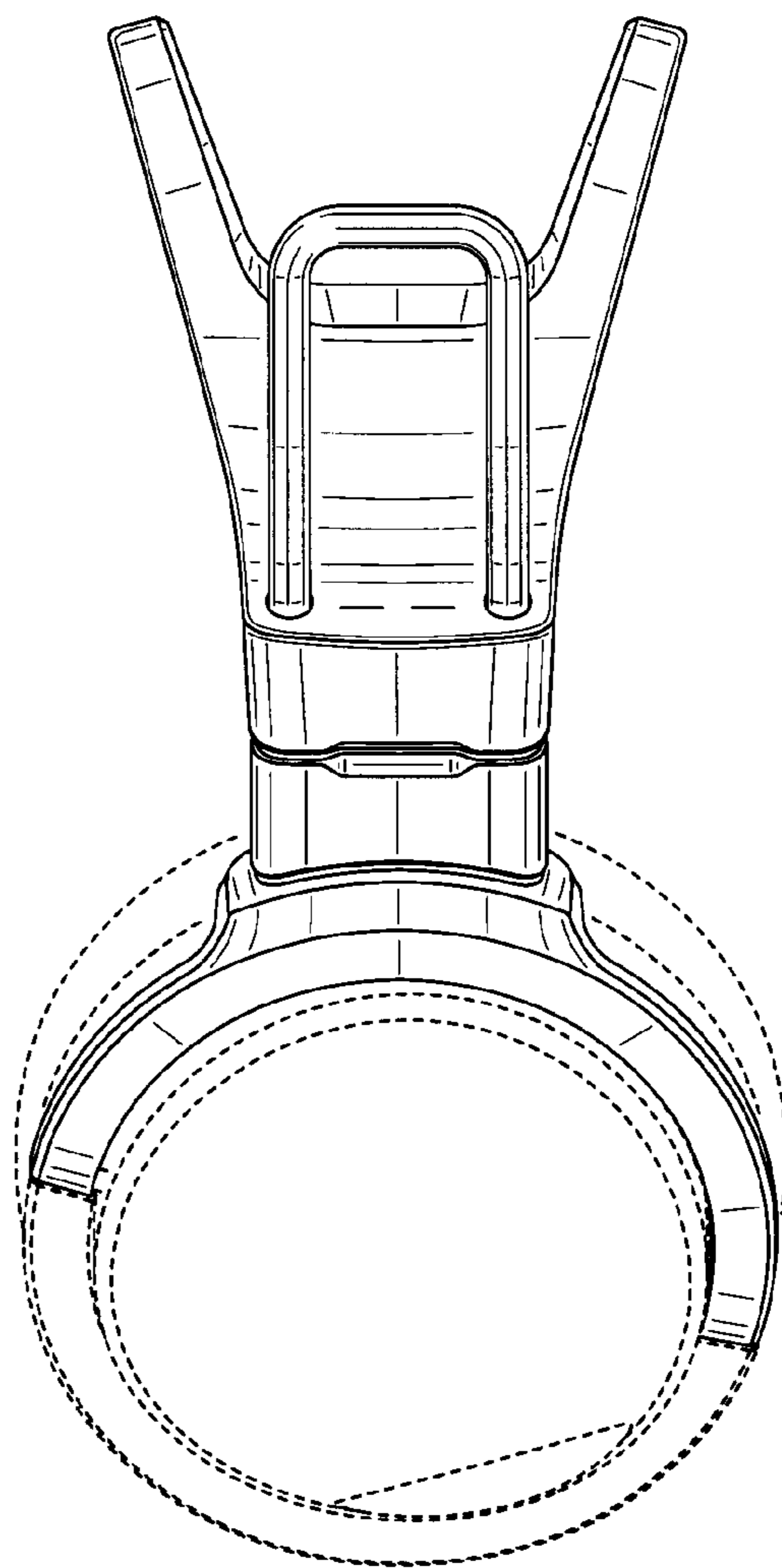


Fig.6

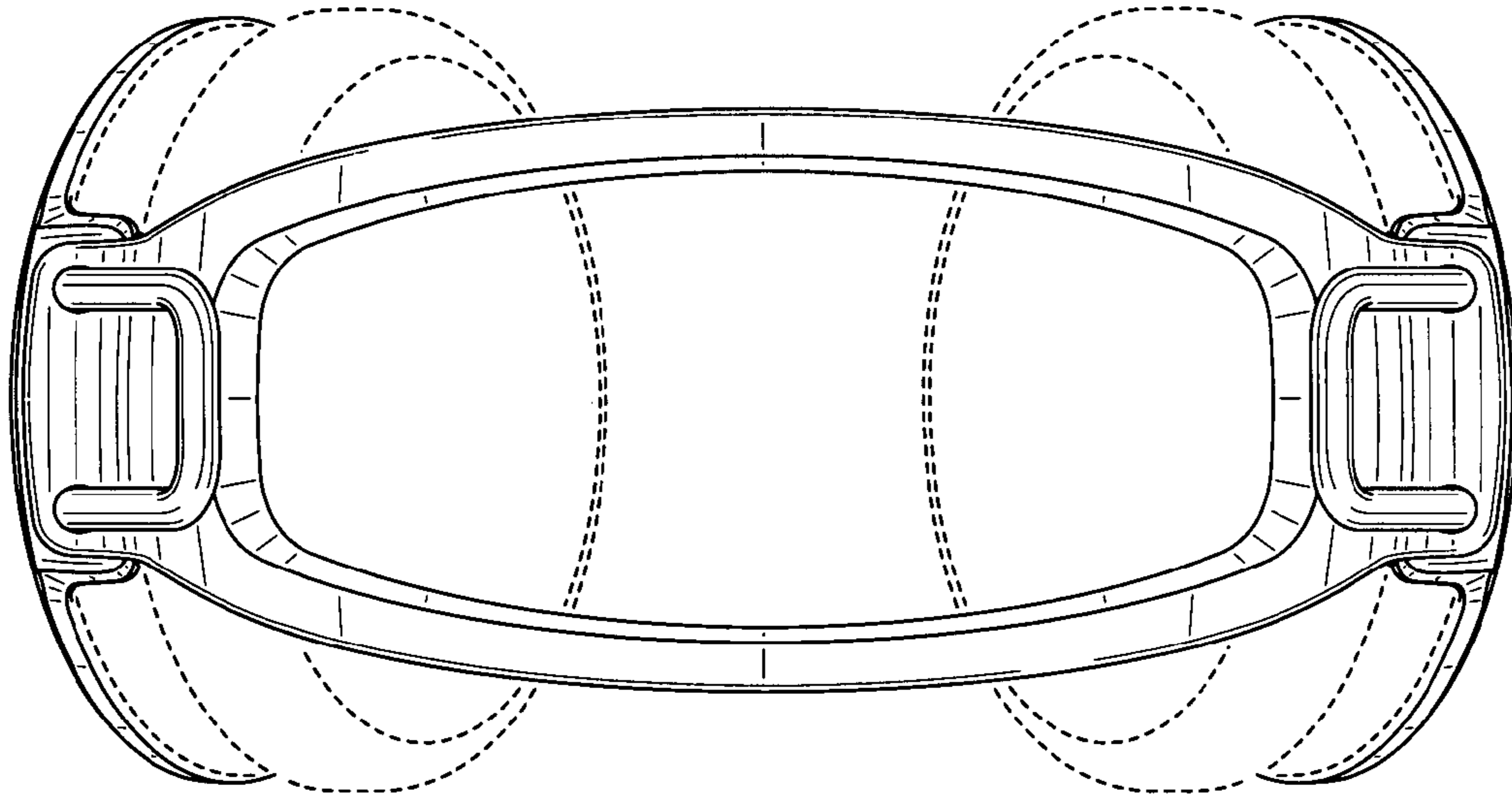


Fig.7

